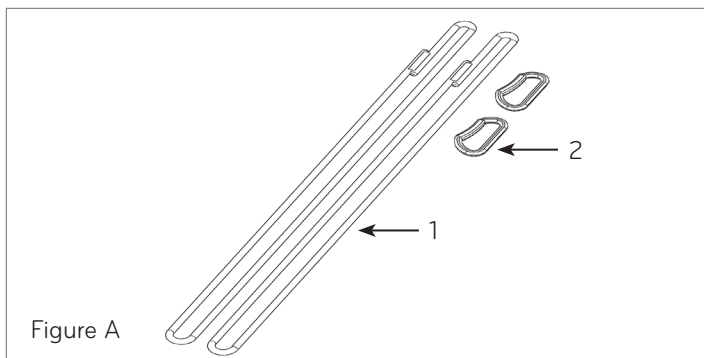


# Installing the Rope Extender for the Bodhi® Suspension System



## PARTS LIST

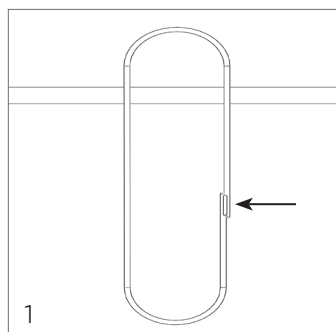
Item No.	Description	Part Number	Qty
1	Rope Extender (green or gray)	(210-068 or 210-069)	2
2	Carabiner	GEN9149	2

### Notes:

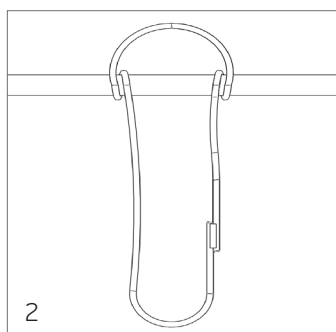
- » If you plan to remove your Bodhi Suspension System from the Rope Extender often, connect the System to the provided carabiner as if the carabiner was the mounting bar. Then the carabiner can be used to clip on and off of the Rope Extender.
- » With the Rope Extender in place, your anchor point can be up to 30" higher than standard.

### Safety Precautions

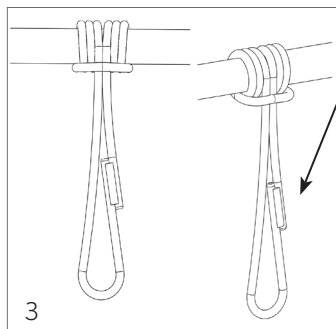
- » Periodic inspection of ropes and stitching is recommended. If there are loose stitches or fraying ropes, replace as needed.
- » Anchor bars should always be round and smooth, never angular or sharp.



1. Position your Rope Extender as shown. Make sure the sewn section is approximately here.



2. Wrap the bottom half of the Rope Extender around the bar and through itself as shown.



3. Wrap the Rope Extender around the bar and through itself as many times as required to achieve desired height of the hanging loop.

Ensure that the sewn section is about half way between the bar and the end of the loop (out of the way).

4. Repeat the process on the other Rope Extender.