

Bravo Reformer™ Head End Extended Platform Installation

PARTS LIST

Part number	Description	Qty
Bravo Reformer Head End Extended Platform	18831	1
Bravo Platform Extender (foot end)	18832	1
Draw Latch Catch Plate	19132	2
Wood Screw, #10 x 5/8"	13689	4

Tools required (not included): Phillips head screwdriver or power drill with Phillips head bit.

Attach latch catch plate to head end platform using provided screws into pre-drilled pilot holes. As shown in Figure A.

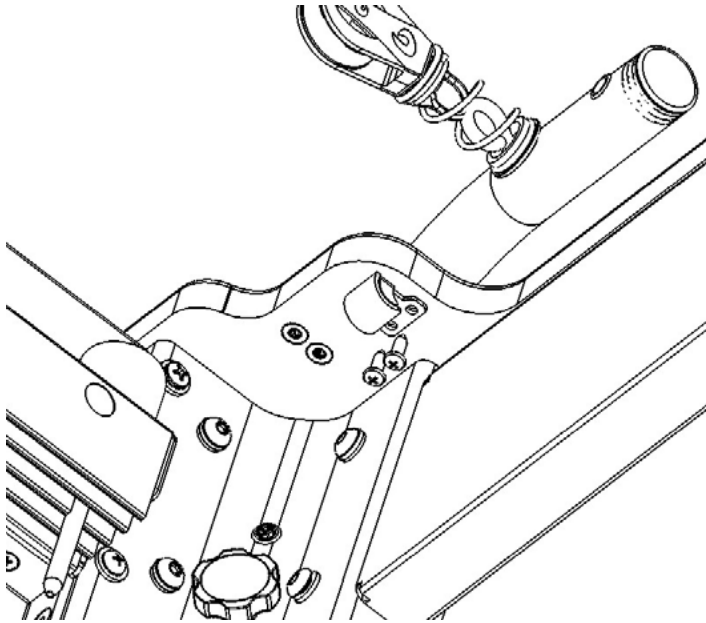


Figure A

Slide Head End Platform into the end with risers as shown in Figure B and C.

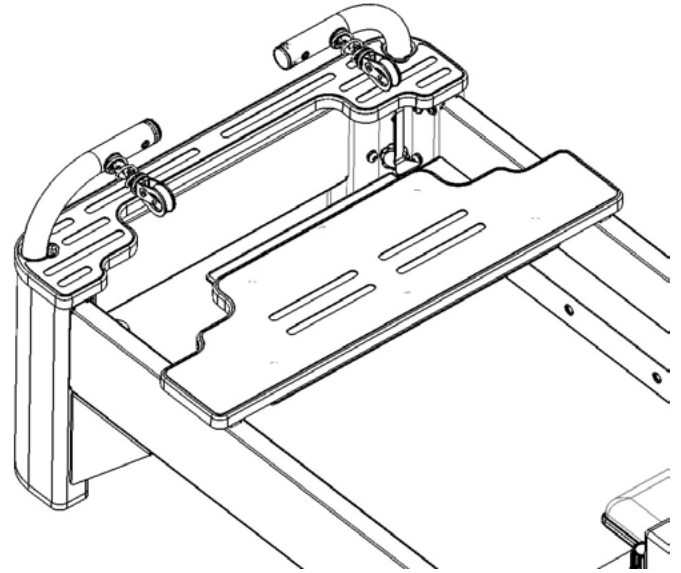


Figure B

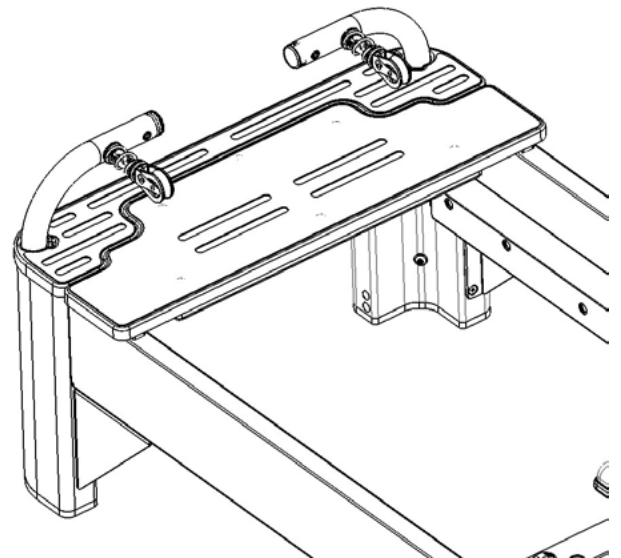


Figure C

Rotate latch arm over catch, then press up on the latch handle to secure the platform extender as shown in Figure D.

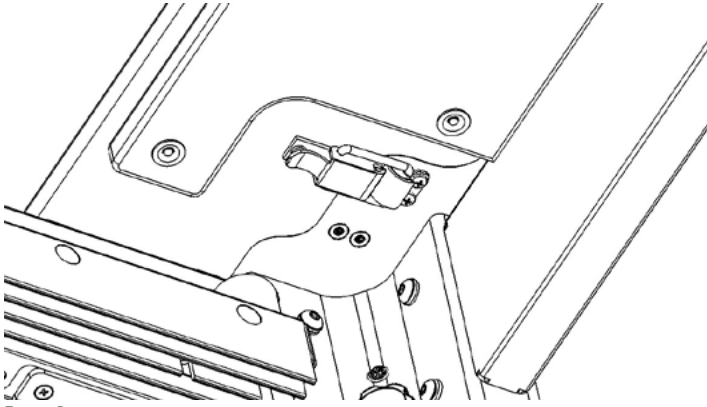


Figure D

Bravo Reformer Platform Extender (foot end) Installation

Attach latch catch plate to head end platform using provided screws into pre-drilled pilot holes as shown in Figure A.

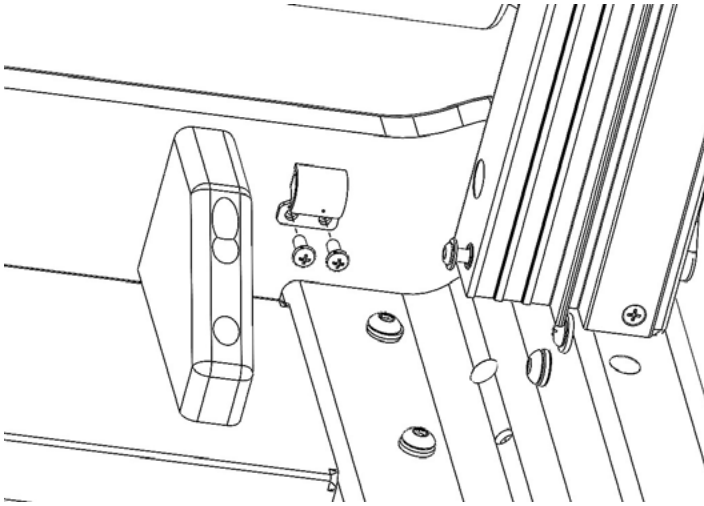


Figure A

Rotate latch arm over catch, then press up on the latch handle to secure the platform extender as shown in Figure D.

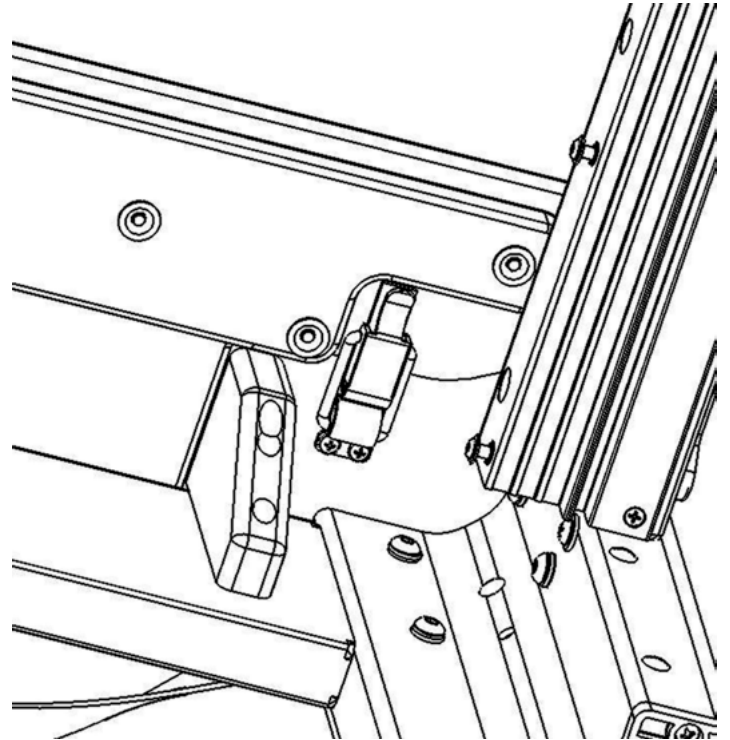


Figure D

Slide platform extender into the foot end of the Reformer as shown in Figures B and C.

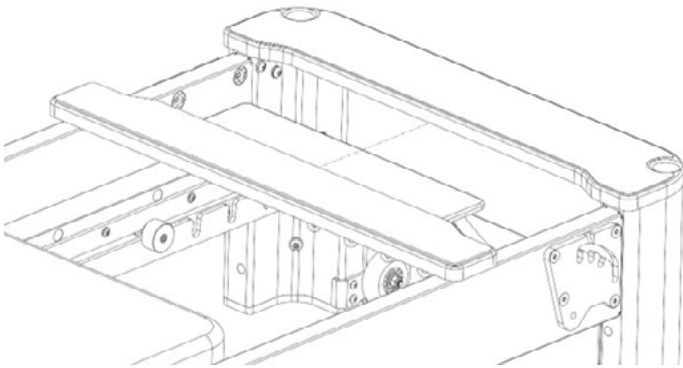


Figure B

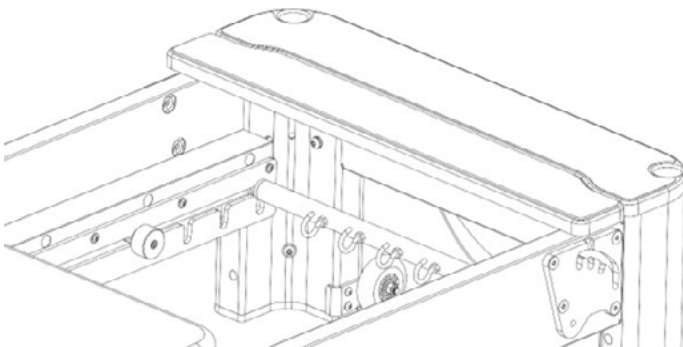


Figure C