

AS 0040D THRU AS 106P EG, 304SS, 316SS, ZTC

CUSHION CLAMP ASSEMBLY

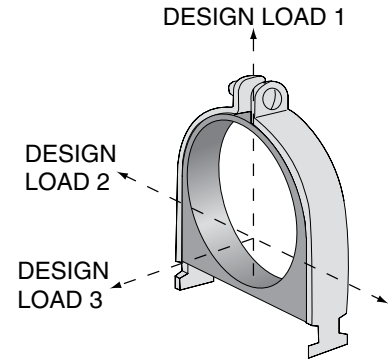
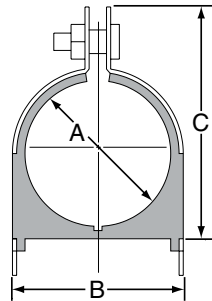
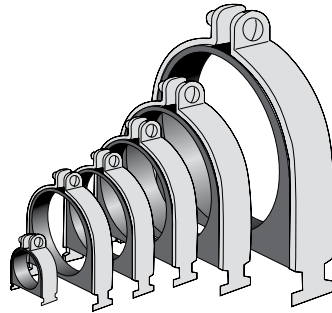
Material

Clamp: 1008-1018 Carbon Steel
Cushion: High Strength TPE
Locknut: Nylon Insert

Service Temperature:
-65°F to 275°F.

Approvals

UL 2043 Fire Test for Heat and Visible Smoke Release
25/50 Flame Spread/Smoke Development Index



TUBE SERIES						
Part No.	O.D. Size	A	B	C	Std Pkg	Wt/100 pcs
AS 0040D	1/4"	0.25	0.62	0.98	25	10
AS 0060DN	3/8"	0.37	0.82	1.13	25	11
AS 0080DN	1/2"	0.50	0.94	1.34	25	13
AS 0100DN	5/8"	0.62	1.06	1.54	25	14
AS 0120DN	3/4"	0.75	1.20	1.68	25	14
AS 0140DN	7/8"	0.87	1.31	1.82	25	15
AS 0160D	1"	1.00	1.44	1.95	25	17
AS 0180DN	1 1/8"	1.12	1.57	2.08	20	18
AS 0200D	1 1/4"	1.25	1.70	2.21	20	18
AS 0220DN	1 3/8"	1.37	1.82	2.34	20	20
AS 0240D	1 1/2"	1.50	1.95	2.47	20	33
AS 0260DN	1 5/8"	1.62	2.07	2.60	20	35
AS 0280D	1 3/4"	1.75	2.20	2.73	20	37
AS 0320D	2"	2.00	2.45	3.04	10	41
AS 0340D	2 1/8"	2.12	2.57	3.23	10	46
AS 0400D	2 1/2"	2.50	2.94	3.79	10	49
AS 0420D	2 5/8"	2.62	3.07	3.92	5	51
AS 0480D	3"	3.00	3.57	4.42	5	57
AS 0500D	3 1/8"	3.12	3.57	4.42	5	60
AS 0580D	3 3/8"	3.62	4.20	5.11	5	70
AS 0660D	4 1/8"	4.12	4.57	5.54	5	94
AS 0820D	5 1/8"	5.12	5.57	6.54	5	125
AS 0980D	6 1/8"	6.12	6.57	7.54	5	130

TUBE SERIES			
Copper & Steel Tube O.D. Size	Design Load 1 (lbs)	Design Load 2 (lbs)	Design Load 3 (lbs)
1/4"	400	50	50
3/8"	400	50	50
1/2"	400	50	50
5/8"	400	50	50
3/4"	600	75	75
7/8"	600	75	75
1"	600	75	75
1 1/8"	600	75	75
1 1/4"	600	75	75
1 3/8"	600	75	75
1 1/2"	600	75	75
1 5/8"	600	75	75
1 3/4"	800	125	125
1 7/8"	800	125	125
2"	800	125	125
2 1/8"	800	125	125
2 1/4"	800	125	125
2 3/8"	800	125	125
2 1/2"	800	125	125
2 5/8"	800	125	125
3"	800	125	125
3 1/8"	800	125	125
3 3/8"	1000	200	150
4 1/8"	1000	200	150
6 1/8"	1000	200	150

Std Pkg & Wt/100 pcs: See chart above.

PIPE SERIES ON NEXT PAGE

LEGEND:

GR: Powder Coated Supr-Green EG: Electro-Galvanized PG: Pre-Galvanized AL: Aluminum HG: Hot Dipped Galvanized PL: Plain SS: Stainless Steel ZTC: Zinc Trivalent Chromium
Stainless Steel (SS), Zinc Trivalent Chromium (ZTC) and Hot Dipped Galvanized (HG) are specialty finishes. Pricing is located in the Specialty Strut Section of the Anvil-Strut price book.

PROJECT INFORMATION		APPROVAL STAMP	
Project:		<input type="checkbox"/> Approved	
Address:		<input type="checkbox"/> Approved as noted	
Contractor:		<input type="checkbox"/> Not approved	
Engineer:		Remarks:	
Submittal Date:			
Notes 1:			
Notes 2:			

CUSHION CLAMP ASSEMBLY

Material

Clamp: 1008-1018 Carbon Steel

Cushion: High Strength TPE

Locknut: Nylon Insert

Service Temperature:

-65°F to 275°F.

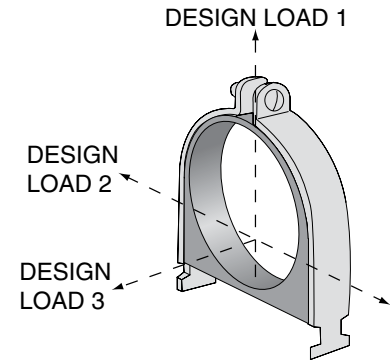
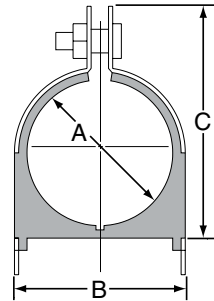
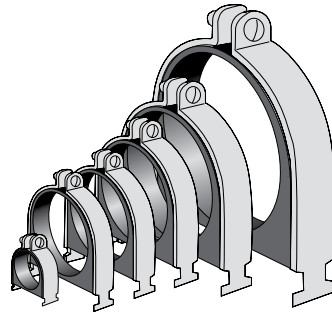
Approvals

UL 2043 Fire Test for Heat and

Visible Smoke Release

25/50 Flame Spread/Smoke

Development Index



PIPE SERIES						
Part No.	O.D. Size	A	B	C	Std Pkg	Wt/100 pcs
AS 009P	1/4" Pipe	0.54	0.98	1.34	25	13
AS 011P	3/8" Pipe	0.67	1.13	1.54	25	14
AS 014P	1/2" Pipe	0.84	1.29	1.82	25	15
AS 017P	3/4" Pipe	1.05	1.50	2.08	20	17
AS 021P	1" Pipe	1.31	1.76	2.34	20	19
AS 027P	1 1/4" Pipe	1.66	2.17	2.73	20	35
AS 0300DP	1 1/2" Pipe	1.90	2.35	2.86	20	39
AS 0380DP	2" Pipe	2.37	2.82	3.67	10	47
AS 0460DP	2 1/2" Pipe	2.87	3.32	4.17	5	55
AS 0560DP	3" Pipe	3.50	3.95	4.79	5	55
AS 0640DP	3 1/2" Pipe	4.00	4.45	5.42	5	88
AS 0720DP	4" Pipe	4.50	4.95	5.92	5	110
AS 089P	5" Pipe	5.56	6.01	6.92	5	130
AS 106P	6" Pipe	6.62	7.07	8.23	5	140

PIPE SERIES			
Pipe Sizes (Nominal)	Design Load 1 (lbs)	Design Load 2 (lbs)	Design Load 3 (lbs)
1/4"	400	50	50
3/8"	600	75	75
1/2"	600	75	75
3/4"	600	75	75
1"	600	75	75
1 1/4"	800	125	125
1 1/2"	800	125	125
2"	800	125	125
2 1/2"	800	125	125
3"	1000	200	150
3 1/2"	1000	200	150
4"	1000	200	150
5"	1000	200	150
6"	1000	200	150

Std Pkg & Wt/100 pcs: See chart above.

TUBE SERIES ON PREVIOUS PAGE