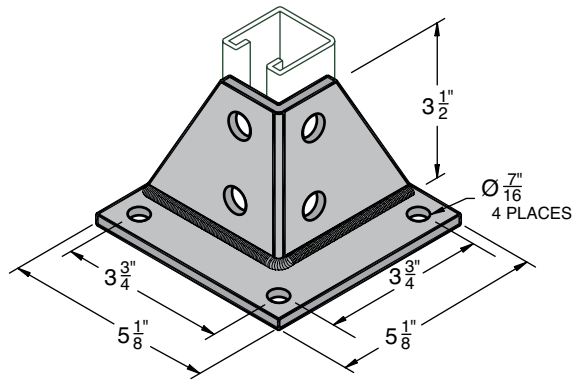


AS 3040

EG,  GR

**POST BASE**



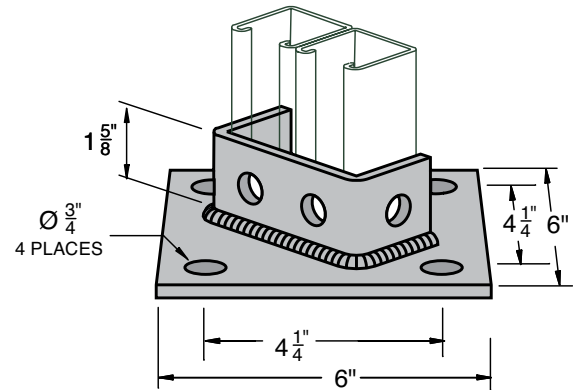
Use with AS 200 & AS 210

Std Pkg 10 - Wt/100 pcs: 297 Lbs.

AS 3029

EG,  GR

**DOUBLE POST BASE**



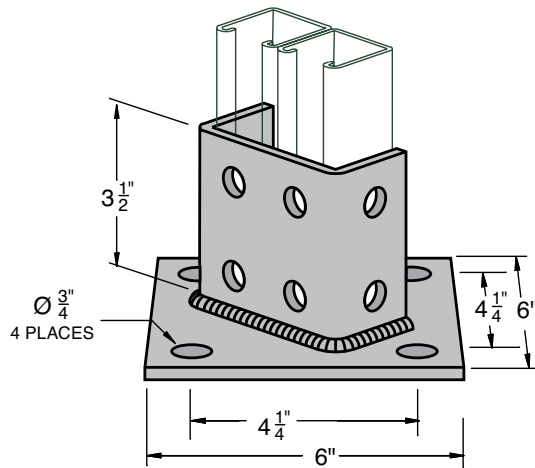
Use with all 3/4" Channels

Std Pkg 5 - Wt/100 pcs: 325 Lbs.

AS 3064

EG,  GR,  ZTC

**DOUBLE POST BASE**



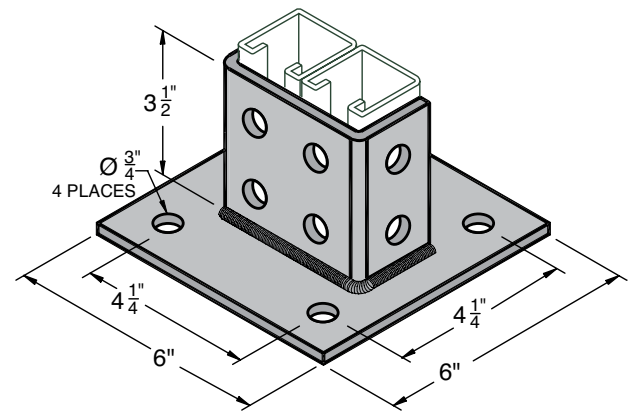
Use with all 3/4" Channels

Std Pkg 10 - Wt/100 pcs: 408 Lbs.

AS 3064SQ

EG,  GR

**DOUBLE POST BASE**



Use with all 3/4" Channels

Std Pkg 10 - Wt/100 pcs: 408 Lbs.

**LEGEND:**

**GR:** Powder Coated Supr-Green **EG:** Electro-Galvanized **PG:** Pre-Galvanized **AL:** Aluminum **HG:** Hot Dipped Galvanized **PL:** Plain **SS:** Stainless Steel **ZTC:** Zinc Trivalent Chromium  
Stainless Steel (**SS**), Zinc Trivalent Chromium (**ZTC**) and Hot Dipped Galvanized (**HG**) are specialty finishes. Pricing is located in the Specialty Strut Section of the Anvil-Strut price book.

**PROJECT INFORMATION**

**APPROVAL STAMP**

<b>Project:</b>	<input type="checkbox"/> Approved
<b>Address:</b>	<input type="checkbox"/> Approved as noted
<b>Contractor:</b>	<input type="checkbox"/> Not approved
<b>Engineer:</b>	<b>Remarks:</b>
<b>Submittal Date:</b>	
<b>Notes 1:</b>	
<b>Notes 2:</b>	