

## FIG. ANVIL 92UN

DZR Brass Union Body with Air Vent and Test Point

### FEATURES

- DZR Brass Union Body with Air Vent and Test Point
- Threaded F or M (ASME B1.20.1 - NPT)
- Solder joint ends (ASME B16.22)
- 400 WOG

Union ends available on following versions:

- Threaded M (ASME B1.20.1 - NPT)
- Solder joint ends (ASME B16.22)

#### Working Conditions:

Water (15°F to 260°F)

below 32°F only for water with added anti-freezing fluids

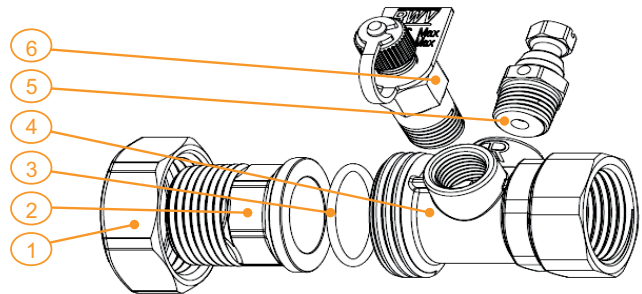
over 212°F only for water with added anti-boiling fluids



### MATERIAL SPECIFICATIONS

1. UNION NUT: Brass
2. UNION: DZR Brass
3. UNION O-RING: EPDM Perox
4. BODY: DZR Brass
5. VENT: DZR Brass
6. TEST POINT: DZR Brass<sup>1</sup>

<sup>1</sup>With EPDM Perox gaskets and polypropylene tie

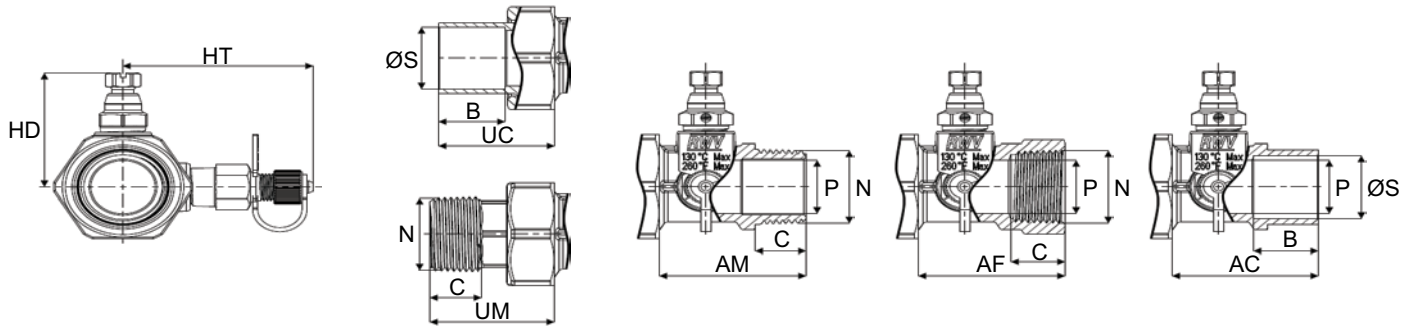


For additional information on Gruvlok bag and tag coil kit service, contact an Anvil Representative.

PROJECT INFORMATION		APPROVAL STAMP	
Project:		<input type="checkbox"/> Approved	
Address:		<input type="checkbox"/> Approved as noted	
Contractor:		<input type="checkbox"/> Not approved	
Engineer:		Remarks:	
Submittal Date:			
Notes 1:			
Notes 2:			

## FIG. ANVIL 92UN

DZR Brass Union Body with Air Vent and Test Point



**FIGURE ANVIL 92UN DZR BRASS UNION BODY WITH AIR VENT AND TEST POINT**

Union Size	N	ØS	C	B	P	AM	AF	AC	UM	UC	HD	HT	Approx. Wt. Each <sup>1</sup>
In./mm	In./mm	In./mm	In./mm	In./mm	In./mm	In./mm	In./mm	In./mm	In./mm	In./mm	In./mm	In./mm	Lbs./Kg
1/2 15	1/2 15	0.627-0.631 15.93-16.03	0.55 14.0	0.51 13.0	0.59 15.0	1.7 43.2	1.6 40.6	1.5 38.1	1.4 35.6	0.9 22.3	1.6 40.6	2.2 55.9	0.50/0.58 0.23/0.26
3/4 20	3/4 20	0.877-0.881 22.28-22.38	0.63 16.0	0.78 19.8	0.74 18.8	1.7 43.2	1.7 43.2	1.7 43.2	1.5 38.1	1.4 35.6	1.6 40.6	2.2 55.9	0.57/0.64 0.26/0.29
1 25	1 25	1.128-1.131 28.65-28.73	0.70 17.8	0.91 23.1	1.00 25.4	1.9 48.3	1.7 43.2	1.9 48.3	1.8 45.7	1.6 40.6	1.9 48.3	2.3 58.4	0.64/0.84 0.29/0.38
1 1/4 32	1 1/4 32	1.378-1.381 35.00-35.08	0.73 18.5	0.98 24.9	1.25 31.8	2.0 50.8	1.8 45.7	2.0 50.8	1.9 48.3	1.7 43.2	2.0 50.8	2.5 63.5	1.01/1.15 0.46/0.53
1 1/2 40	1 1/2 40	1.628-1.632 41.35-41.45	0.77 19.6	1.10 27.9	1.50 38.1	2.1 53.3	1.8 45.7	2.1 53.3	2.2 55.9	1.9 48.3	2.1 53.3	2.5 63.5	1.59/1.90 0.72/0.86
2 50	2 50	2.128-2.132 54.05-54.15	0.80 20.3	1.35 34.3	1.97 50.0	2.1 53.3	1.8 45.7	2.2 55.9	2.3 58.4	2.1 53.3	2.4 61.0	2.8 71.1	1.90/2.26 0.86/1.03

<sup>1</sup> Weight varying in the indicated range depending on the body/union end combination