

- P-2361-16** (with M.J. Accessories*)
- P-2361-19** (less M.J. Accessories)

FLANGED X MECHANICAL JOINT ENDS
 Indicator Post Style Stuffing box
 2" Square Operating Nut

- 4", 6", 8", 10" and 12" sizes
- Meets or exceeds all applicable requirements of UL 262 and FM 1120/1130 specifications and certified to ANSI/NSF 61 & 372.
- Ductile iron body with Mueller® PRO-GARD® fusion epoxy coated interior and exterior surfaces
- Non-rising bronze stem
- Rubber encapsulated iron wedge

- 350psig (2400 kPa/24 barg) maximum working pressure, 700psig (4800 kPa/48 barg) static test
- Triple O-ring seal stuffing box (2 upper & 1 lower O-rings)
- Epoxy coating meets or exceeds ANSI/AWWA C550.
- Flanged end drilling complies with ANSI B16.42 Class 150***

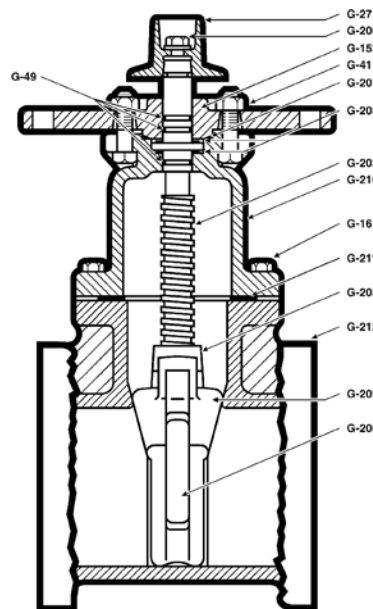


Options

- Stainless steel fasteners: Type 316
- ASTM B98-C66100/H02 stem
- Stainless steel stem: Type 304 and Type 316
- EPDM disc and o-rings

PARTS LIST

Catalog Part Number	Description	Material	Material Standard
G-16	Bonnet Bolts & Nuts	304 Stainless Steel	ASTM F593 (bolt)/ASTM F594 (nut)
G-27	Wrench Nut	Ductile Iron	ASTM A536 ▼
G-41	Stuffing Box Bolts and Nuts	304 Stainless Steel	ASTM F593 (bolt)/ASTM F594 (nut)
G-49	Stem O-rings (3)	Nitrile	ASTM D2000
G-152	Stuffing Box	Ductile Iron	ASTM A536 ▼
G-200	Wrench Nut Cap Screw	304 Stainless Steel	ASTM F593
G-201	Stuffing Box Seal	Nitrile	ASTM D2000
G-203	Stem	Bronze	ASTM B138
G-205	Stem Nut	Bronze	ASTM B584
G-206	Guide Cap Bearings	Acetal	-
G-208	Anti-friction Washers (2)	Acetal	-
G-209	Wedge/Rubber Encapsulated	Ductile Iron**	ASTM A536 ▼
G-210	Bonnet	Ductile Iron	ASTM A536 ▼
G-211	Bonnet Gasket	Nitrile	ASTM D2000
G-212	Body	Ductile Iron	ASTM A536 ▼



DIMENSIONS

Dimension*	Size				
	4"	6"	8"	10"	12"
A	14.19	18.00	21.50	25.50	28.62
R	9.00	11.00	13.50	16.00	19.00
FF	9.50	11.06	12.09	13.94	14.50
E	12.00	12.00	12.00	12.00	12.00
UU (bolt circle for FL)	7.50	9.50	11.75	14.25	17.00
Q (bore)	4.30	6.30	8.30	10.30	12.30
OO (bolt circle for MJ)	7.50	9.50	11.75	14.00	16.25
N	9.12	11.12	13.37	15.62	17.88
L	2.50	2.50	2.50	2.50	2.50
B (number and size of holes for FL)	8--.75"	8--.88"	8--.88"	12--1.00"	12--1.00"
O (bolt circle diameter for MJ)	4--.88"	6--.88"	6--.88"	8--.88"	8--.88"
Turns to open	14	20.5	26.5	33	38.5
Weight (lbs.)*	120	172	264	397	522

See page B-1-22 for ordering instructions.

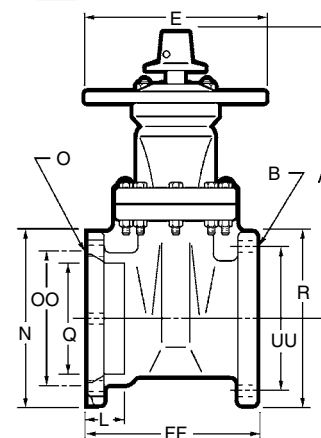
+ M.J. accessories are included and palletized separately from valves.

*All dimensions are in inches. All weights are in approximate pounds.

**Fully encapsulated in molded rubber with no iron exposed.

▼ Material strength ASTM A536 65-45-12 minimum

*** Per ANSI/AWWA C111, working pressure above 250psi requires the use of a special gasket rated for the higher pressure.



PROJECT INFORMATION

APPROVAL STAMP

Project:	<input type="checkbox"/> Approved
Address:	<input type="checkbox"/> Approved as noted
Contractor:	<input type="checkbox"/> Not approved
Engineer:	Remarks:
Submittal Date:	
Notes 1:	
Notes 2:	