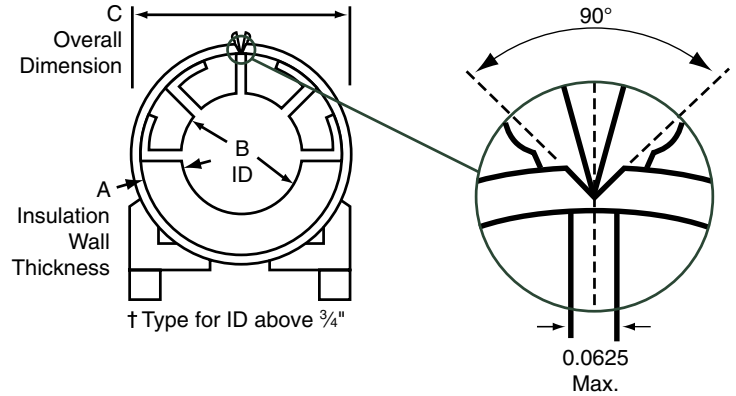


KLO-SHURE® STRUT MOUNTED INSULATION COUPLINGS WITH STRUT CLAMP FOR IRON PIPE AND COPPER TUBE SIZES • USE WITH FIBERGLASS INSULATION

Klo-Shure® Strut Mounted parts include the Klo-Shure® Coupling, clamp halves with welded fastener and locknut.

Material: Clamp: 1008-1018 Carbon Steel; Coupling: High Strength TPO Plastic

Approvals: UL 2043 Fire Test for Heat and Visible Smoke Release • 25/50 Flame Spread/Smoke Development Index



NOTE:

Klo-Shure® ID equals iron pipe and copper tube OD. Chart indicates coupling sizes currently available from Klo-Shure®. Service Temperature –65°F to 275°F.

A Insulation Wall Thickness	Klo-Shure Part No.	Nominal Steel Pipe Size	B Klo-Shure ID NPS OD	C Overall Dimension	Std Pkg
Klo-Shure Strut Mounted Coupling for 1/2" wall insulation	924084	1/2"	0.84" ID	2.025	20
	924105	3/4"	1.05" ID	2.285	20
	924131	1"	1.315" ID	2.500	10
	924166	1 1/4"	1.66" ID	2.845	10
	924190	1 1/2"	1.90" ID	3.285	10
Klo-Shure Strut Mounted Coupling for 1" wall insulation	928084	1/2"	0.84" ID	3.008	10
	928105	3/4"	1.05" ID	3.008	10
	928131	1"	1.315" ID	3.638	10
	928166	1 1/4"	1.66" ID	3.638	10
	928190	1 1/2"	1.90" ID	4.138	10
	928237	2"	2.375" ID	4.648	10
Klo-Shure Strut Mounted Coupling for 1 1/2" wall insulation	929084	1/2"	0.84" ID	4.138	10
	929105	3/4"	1.05" ID	4.138	10
	929131	1"	1.315" ID	4.648	10
Klo-Shure Strut Mounted Coupling for 1 1/2" wall insulation	929166	1 1/4"	1.66" ID	5.138	10
	929190	1 1/2"	1.90" ID	5.138	10

A Insulation Wall Thickness	Klo-Shure Part No.	B Klo-Shure ID Tube OD	C Overall Dimension	Std Pkg
Klo-Shure Strut Mounted Coupling for 1/2" wall insulation	924062	5/8" ID	1.785	20
	924087	7/8" ID	2.025	20
	924112	1 1/8" ID	2.285	20
	924137	1 3/8" ID	2.500	10
	924162	1 5/8" ID	2.845	10
	924212	2 1/8" ID	3.285	10
Klo-Shure Strut Mounted Coupling for 1" wall insulation	928062	5/8" ID	3.008	10
	928087	7/8" ID	3.008	10
	928112	1 1/8" ID	3.008	10
	928137	1 3/8" ID	3.638	10
	928162	1 5/8" ID	3.638	10
	928212	2 1/8" ID	4.138	10
	928262	2 5/8" ID	4.648	10
Klo-Shure Strut Mounted Coupling for 1 1/2" wall insulation	928312	3 1/8" ID	5.138	10
	929087	7/8" ID	4.138	10
	929112	1 1/8" ID	4.138	10
	929137	1 3/8" ID	4.648	10
	929162	1 5/8" ID	4.648	10
	929212	2 1/8" ID	5.138	10

PROJECT INFORMATION		APPROVAL STAMP	
Project:		<input type="checkbox"/> Approved	
Address:		<input type="checkbox"/> Approved as noted	
Contractor:		<input type="checkbox"/> Not approved	
Engineer:		Remarks:	
Submittal Date:			
Notes 1:			
Notes 2:			