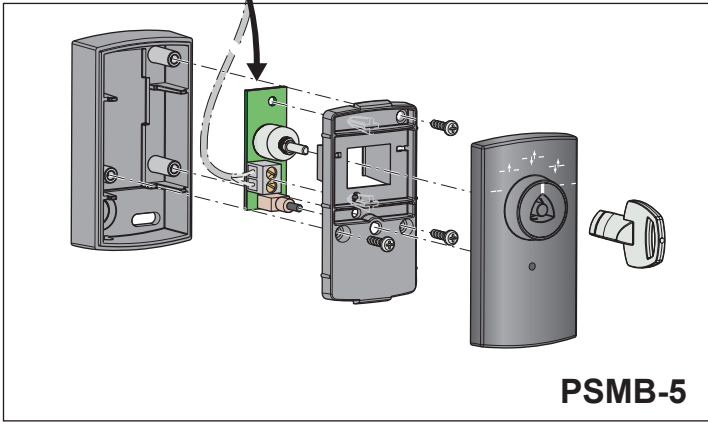
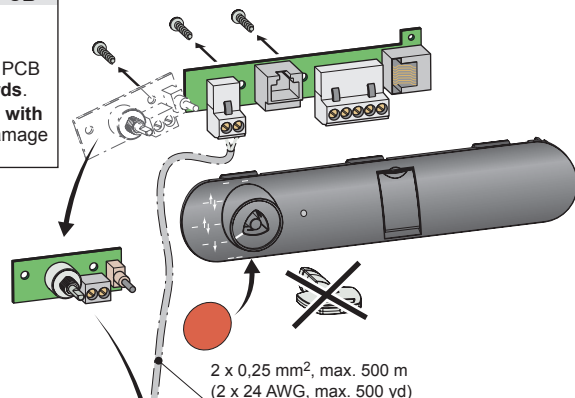


**Breaking off the PCB**

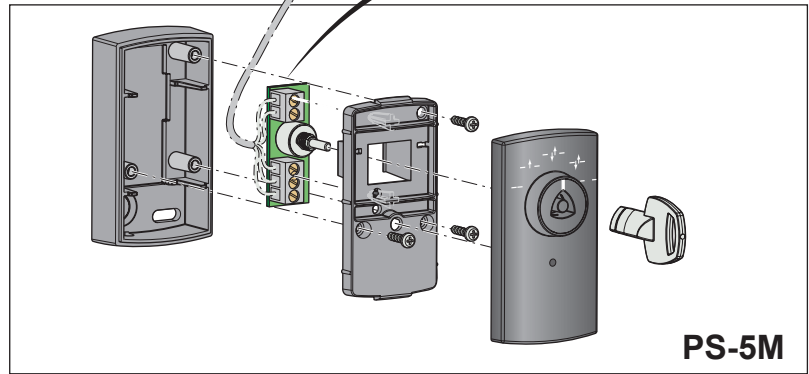
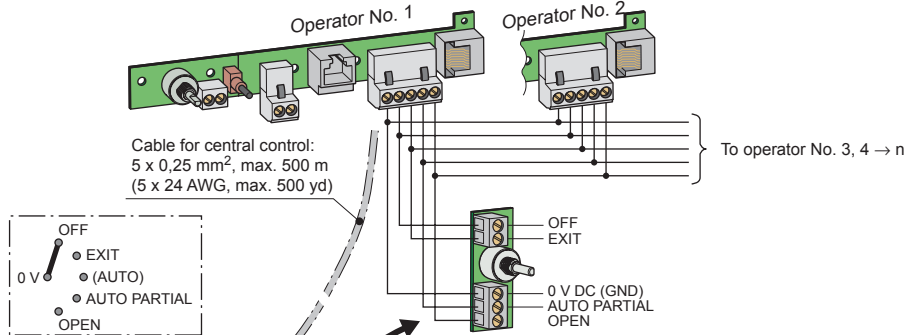
1. Remove the three screws.
2. **Carefully** pull the PCB straight backwards.
3. Break off the PCB with **caution**, not to damage components.

**Integrated programme selector PS-5R**



**PSMB-5**

**Integrated programme selector PS-5R**



**PS-5M**

**PSMB-5 / PS-5M**  
**Programme selectors**  
**UniSlide / EMSL**  
 Installation drawing

**ASSA ABLOY**  
 Entrance Systems

6

656037