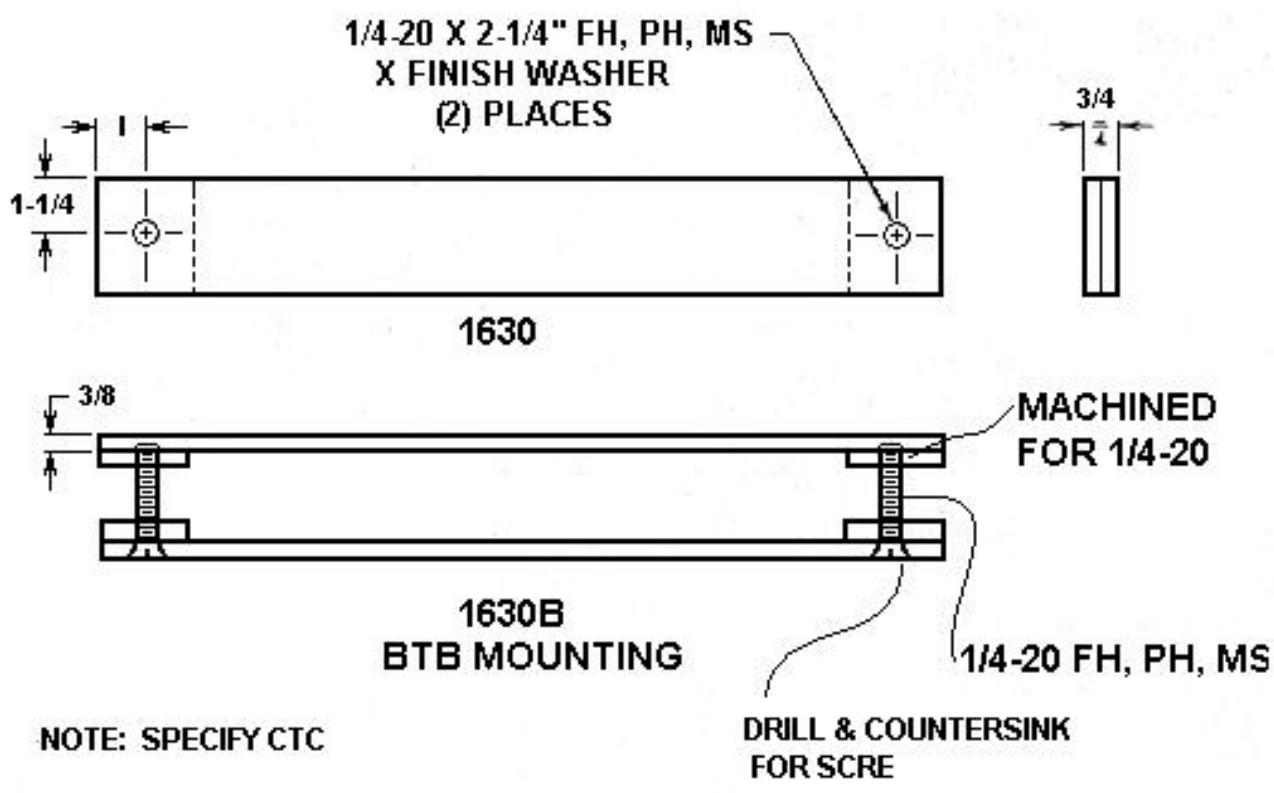


A	REVISED: 1 - 26 - 87
B	REVISED: 8 - 22 - 95
C	REVISED: 1 - 18 - 00



NOTE: WE CAN SUPPLY WITH "G" MOUNTING OR SEX BOLT. "G" MOUNTING PROJECTION WILL BE 7/8"

TRIMCO P/N	BBW P/N
1630	2000-S
1630B	2000-P
DWG. NO. 1 1 5 5 1	

Trimco
LOS ANGELES, CA

1630, 1630B
PUSH BAR
DWN BY: L. R.

TRIMCO RESERVES THE RIGHT TO MAKE DESIGN CHANGES WITHOUT NOTICE.