

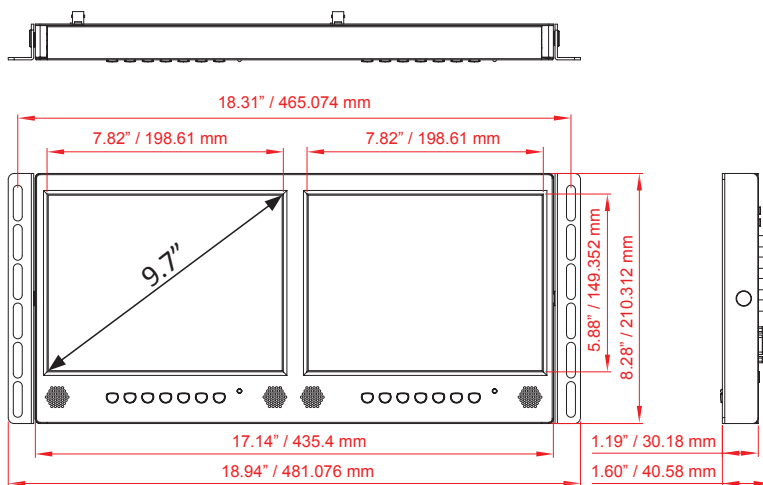
DUAL LED DISPLAY RACK MOUNT CCTV MONITOR



VZ-097RCR-D ADVANTAGES

- Dual 9.7" LED Display Rack Mount (5U) CCTV Monitor
- 1024 x 768 Resolution
- BNC, RCA, VGA
- 2D Comb-filter, De-interlace, Built-in Speakers
- 3-Year Warranty

DIMENSIONS



MODEL #	VZ-097RCR-D
VIDEO	
Screen Size	9.7"
Max. Resolution	1024 x 768 @60Hz
Pixel Pitch	0.192 mm x 0.192 mm
Brightness	350 cd/m ² (Typical)
Contrast Ratio	600:1
Aspect Ratio	4 : 3
Viewing Angle (H/V)	160° / 160°
Display Color	0.26 Million
Response Time	< 35ms
Video System	NTSC / PAL
Frequency (H)	31 ~ 48 Khz
Frequency (V)	56 ~ 60 Hz

INTERFACE	
AV(Composite) In/ Out (BNC Type)	(1 / 1) x 2
AV(Composite) In/ Out (RCA Type)	(1 / 1) x 2
RGB In (15Pin D-Sub)	1 x 2
PC Audio In	1 x 2
Trigger In	1 x 2
DC 12V In	1 x 2

AUDIO	
Built in speaker	(1W x 2) x2

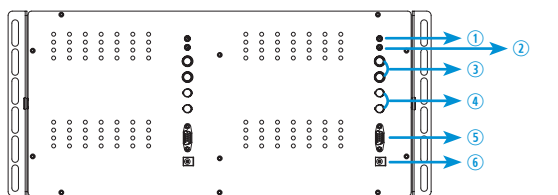
SPECIAL FEATURES	
Filter Type	2D Comb-filter / De-Interlace
Video Resolution(Max)	520 TV Line
Multi-lingual Language	English, Spanish, French, German, Italian, Portuguese, Dutch

DIMENSIONS & WEIGHT	
Outline Dimension (W x H x D)	18.94" x 8.28" x 1.60" 481.076 mm x 210.312 mm x 40.58 mm
Net Weight / Gross Weight	6.61 lbs (2.99 Kg) / 10.58 lbs (4.79 Kg)

MOUNT	
Form Factor	5U Rack Mounting
Mount Type	Tilt-able Rack Mount

GENERAL		
Power	Electrical Ratings	DC 12V, 1.36A (AC100 ~ 240V[50/60Hz])
	Consumption (Typ/Max)	16.4 W
Warranty	Parts/ Labor	3 Year / 3 Year
	MTBF (Approx.)	50,000 Hours
Operating Temperature		32 - 104°F / 0 - 40°C
Regulations		NRTL(=UL), FCC(A)

INTERFACE



1. TRIGGER IN
2. PC Audio IN
3. AV(composite)1 IN/OUT (BNC Type)
4. AV(composite)2 IN/OUT (RCA Type)
5. VGA IN
6. DC 12V IN

Contact ViewZ

- Address : 177 W. Orangethorpe Ave., Placentia, CA 92870
- Phone : (714) 996-1177, Fax : (714) 996-1138
- Sales : sales@viewzusa.com
- Specification subject to change without notice.