

AV3155

Arecont Vision
megapixel technology...
beyond imagination

3 Megapixel H.264 IP MegaDome™ Camera

AV3155 (Color)

AV3155-1HK

AV3155DN (Day/Night)

AV3155DN-1HK

AV3155-16 (Color)

AV3155-16HK

AV3155DN-16 (Day/Night)

AV3155DN-16HK

Arecont Vision Advantages:

All-in-one H.264 MegaDome™ Solution

- Integrated megapixel camera, IR corrected lens (AVxx55: 4.5-10mm lens; AVxx55-16: 8-16mm lens), and IP66 dome housing
- Vandal resistant aluminum chassis with 4" polycarbonate dome bubble
- Easily adjustable 3-axis camera gimbal with 360° pan, 90° tilt and 360° z-axis
- Available in 1.3, 2, 3, and 5 MP sensor configurations with color only or Day/Night versions
- Supports both H.264 and MJPEG at full resolutions and full frame rates
- Heater kit versions for cold climate environments
- Surface mount with optional pendant mount, wall mount, pole mount, corner mount or electrical box adapter
- IP66 weatherproofing standard

H.264 (MPEG4 Part 10) Compression Standard

- Simultaneous support of both H.264 and MJPEG
- 10x average bandwidth and storage reduction over MJPEG

Multi-Streaming

- Up to 8 concurrent non-identical streams with different frame rates, bit rates, resolutions and picture quality

Bit Rate Control

- Maintain desired bandwidth and storage size

Real Time Streaming Protocol (RTSP)

- Allows for compatibility with media players such as Apple QuickTime, Windows Media Player, VLC Player, etc.

Superior Low Light Performance

- 1/2" CMOS Sensor

Unparalleled High Definition Resolution - 2048 x 1536

- Ten times the resolution of IP VGA or analog cameras

Fastest MegaPixel Image Rates

- Up to 15fps in 3 megapixel mode

Forensic Zooming

- Zoom live or after-event while recording full field of view in HD ... replace PTZ devices

Reduced Overall System Cost

- Less cameras to install, less wiring, no external power (POE), less NVR licensing fees

Full or 1/4 Resolution

- Can be used for either live viewing or archiving purposes

Other key features:

- Simultaneous full field of view and Region-of-Interest (ROI)
- Image cropping allows streaming of full density partial images
- On-camera motion detection
- Assembled 10W heater versions or separate heater module for retrofit
- Motorized IR Cut Filter (DN Version) and more

The AV3155/3155-16 MegaDome™ series network camera is part of Arecont Vision's full line of H.264 megapixel cameras. This fully compliant implementation of H.264 (MPEG 4, Part 10) provides full 2048 x 1536 megapixel resolution at full video frame rates of 15fps. The MegaDome™ camera line provides an all-in-one solution with integrated megapixel camera, lens, and vandal resistant dome enclosure. Using MegaVideo® technology, these cameras offer bandwidth and storage efficiency of up to 10X on average over traditional megapixel counterparts.

Learn more about our products at www.arecontvision.com

MegaDome™ Series

Model Numbers:

AV3155 - Color	AV3155-16 - Color
AV3155-1HK - Color w/Heater	AV3155-16HK - Color w/Heater
AV3155DN - Day/Night	AV3155DN-16 - Day/Night
AV3155DN-1HK - Day/Night w/Heater	AV3155DN-16HK - Day/Night w/Heater

Imaging

- 3 megapixel CMOS image sensor
- 2048(H) x 1536(V) pixel array
- 1/2" optical format
- 3.2 µm pixel pitch
- Bayer mosaic RGB filter
- Minimum illumination of:
 - Color: 0.2 Lux @ F1.4
 - Day/Night: 0 Lux, IR sensitive
- Dynamic range 61 dB
- Maximum SNR 49 dB

Full Field of View (FOV) Resolutions

- 2048(H)x1536(V) 3 megapixel
- 1024(H)x768(V) 1/4 resolution

Cropped Field of View Resolutions

- 1920x1200 WUXGA
- 1920x1080 HDTV-1080p
- 1600x1200 2MP
- 1280x1024 1.3MP
- 1280x720 HDTV-720p
- 1024x768 XGA
- 800x600 SVGA
- 704x570 PAL
- 704x480 NTSC
- 640x480 VGA
- 352x288 CIF
- 320x240 SIF

Data Transmission

- Video frame rate up to:
 - 15fps @ 2048x1536
 - 20fps @ 1920x1200
 - 22fps @ 1920x1080
 - 24fps @ 1600x1200
 - 32fps @ 1280x1024
- Compression type:
 - H.264 (MPEG4, Part 10)
 - Motion JPEG
 - 21 levels of quality
- TFTP, HTTP, RTSP, RTP/TCP, RTP/UDP image transmission protocols
- 100Base-T Ethernet Network Interface
- Data rate:
 - bit rate control from 100Kbps to 10Mbps
 - bit rate control available for full view, multi view, and archive
 - unthrottled data rate up to 55Mbps
- Multi-streaming: 8 non-identical streams

Programmability

- Auto Exposure (AE) and Gain Control (AGC) >120dB
- On-camera real-time motion detection with 64 detection zones
- Programmable backlight compensation
- Auto multi-matrix white balance
- 50/60Hz selectable flicker control
- Electronic pan, tilt, zoom (PTZ)
- Electronic image flip - 180 degree rotation
- Resolution windowing down to 32x32 pixels window
- Programmable shutter speed to help control motion blur
- MoonLight™ mode - extended exposure and proprietary noise cancellation
- Programmable resolution, brightness, saturation, gamma, sharpness, tint
- Picture-in-Picture: simultaneous delivery of full field of view and zoomed images
- Bandwidth & storage savings by running at 1/4 resolution

Camera Electrical

- General purpose opto-coupled input and output
- Power over Ethernet (PoE): PoE 802.3af
- Auxiliary power: 12-48VDC and 24VAC
- Power consumption 5 Watts maximum

Heater Electrical

- Voltage Input: 10V to 50V DC (separate power required)
- Power Output: 10W Max
- Switch: On: 17°C (62.6 °F), Off: 30 °C (86 °F)

Regulatory Approvals

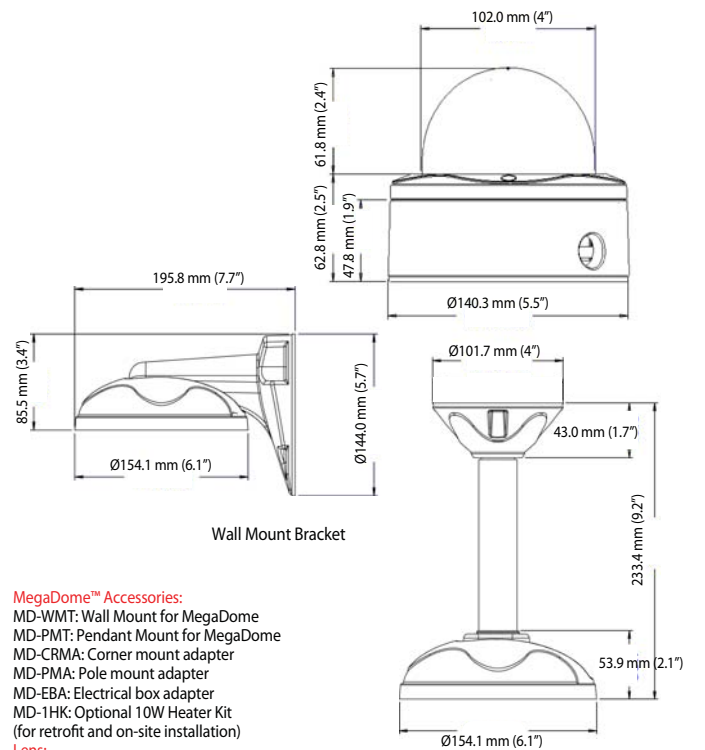
- FCC, Class A
- CE and RoHS compliant

Environmental

- IP66 weatherproofing standard
- Operating temperature:
 - No heater: 0°C (32°F) to +50°C (122°F)
 - With heater: -30°C (-22°F) to +50°C (122°F)
- Storage temperature: -20°C (-4°F) to +60°C (140°F)
- Humidity: 0% to 90% (non condensing)

Mechanical

- Easily adjustable 3-axis camera gimbal with 360° pan, 90° tilt and 360° z-axis
- Die-cast aluminum chassis with 4" polycarbonate dome bubble
- Total Unit dimensions:
 - Ø5.5 x 4.9 in (H), bubble only: Ø4.0 x 2.4 in (H)
 - Ø140.3 x 124.6 mm (H), bubble only: Ø102 x 61.8 mm (H)
- 2.0 lbs (0.91 kg)



MegaDome™ Accessories:

- MD-WMT: Wall Mount for MegaDome
- MD-PMT: Pendant Mount for MegaDome
- MD-CRMA: Corner mount adapter
- MD-PMA: Pole mount adapter
- MD-EBA: Electrical box adapter
- MD-1HK: Optional 10W Heater Kit (for retrofit and on-site installation)

Lens:

- Integrated 4.5-10mm IR corrected Megapixel Varifocal Lens (AVxx55 models)
- Integrated 8-16mm IR corrected Megapixel Varifocal Lens (AVxx55-16 models)

Arecont Vision
megapixel technology...
beyond imagination

Revised on 12/10/09

Made in USA