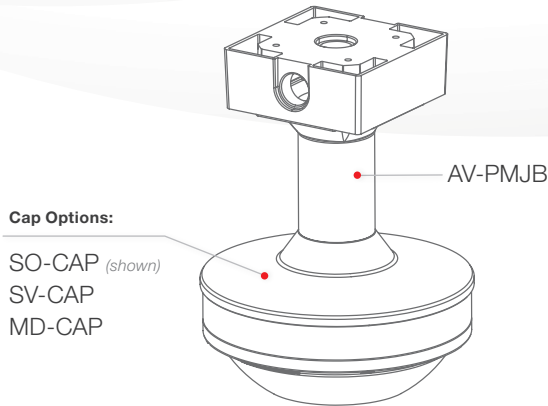


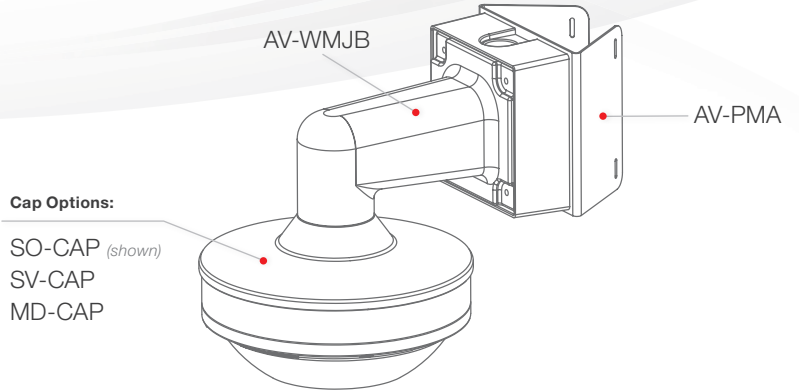
Standard Dome Accessories

Accessories for Indoor/Outdoor Ceiling, Wall, Pole and Corner Mounting Solutions

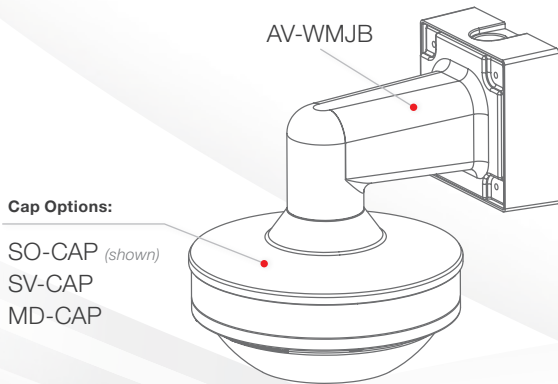
Ceiling Mount Configuration



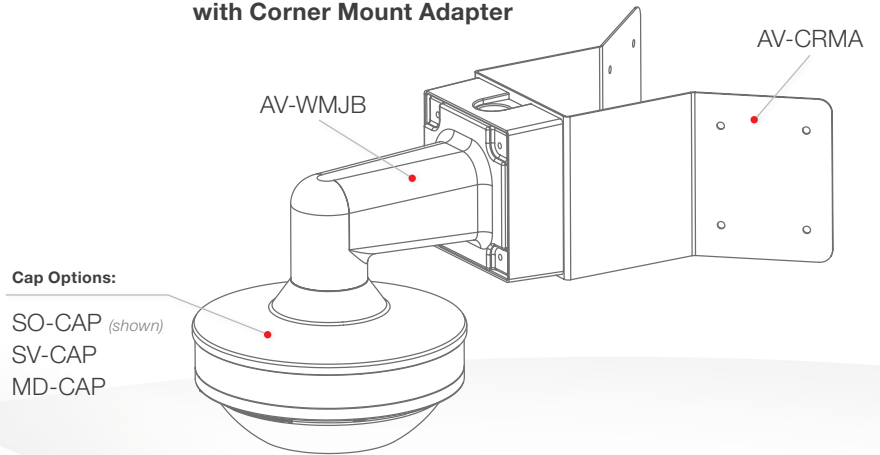
Wall Mount Configuration with Pole Mount Adapter



Wall Mount Configuration

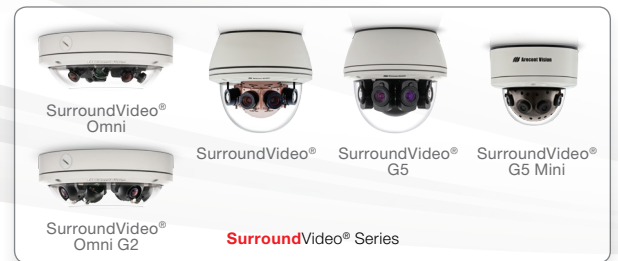
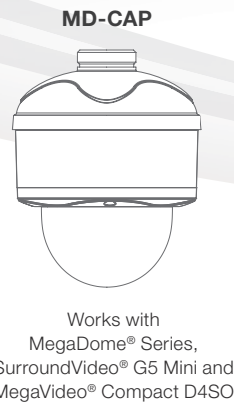
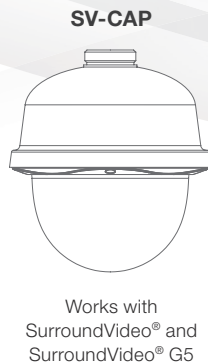


Wall Mount Configuration with Corner Mount Adapter



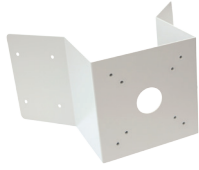
Cap Options:

Compatible Cameras:



AV-CRMA

Corner Mount Adapter

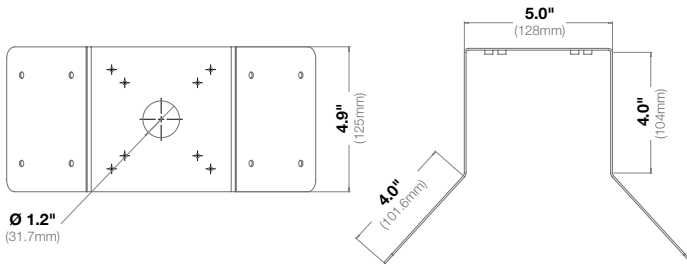


Features:

- Easy Installation and Superior Design
- Heavy Duty Enclosure Protection for Applications in Harsh Environments
- Die-Cast Aluminum is Resistant to Impact and Salt Damage

Compatibility Works with AV-PMJB, AV-WMJB and AV-JBA

Mechanical	Casing Material	Aluminum
	Color	Ivory (Pantone® Cool Gray 1C)
	Dimensions	13.04" W (331.25mm) x 4.92" H (125mm)
	Weight	w/o Camera 0.59lbs (0.27kg)



AV-JBA

Junction Box Adapter

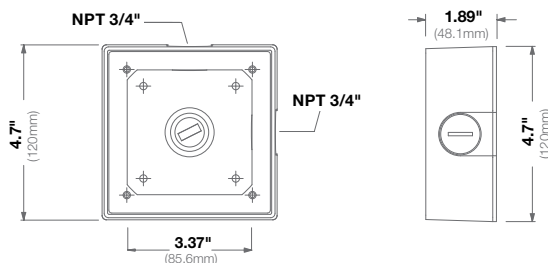


Features:

- Easy Installation and Superior Design
- Heavy Duty Enclosure Protection for Applications in Harsh Environments
- Die-Cast Aluminum is Resistant to Impact and Salt Damage

Compatibility Compatible with 3/4" NPT standard
Works with AV-PMJB*, AV-WMJB*, D4S-WMT, HSG2-WMT, and MegaView® 2*

Mechanical	Casing Material	Aluminum
		IP66 Outdoor Protection Grade
	Color	Ivory (Pantone® Cool Gray 1C)
	Dimensions	4.7" L (120mm) x 4.7" W (120mm) x 1.89" H (48.1mm)
	Weight	w/o Camera 1.3lbs (0.63kg)



* Replacement part for these models

AV-EBA

Electrical Box Adapter



Features:

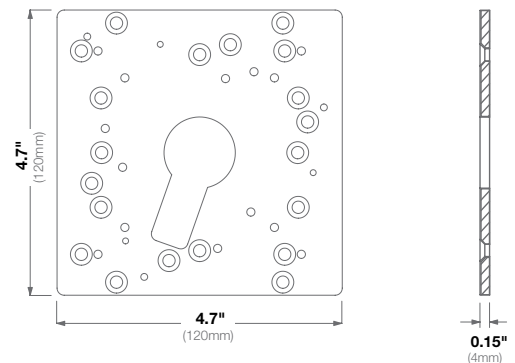
- Easy Installation and Superior Design
- Heavy Duty Enclosure Protection for Applications in Harsh Environments
- Die-Cast Aluminum is Resistant to Impact and Salt Damage

Compatibility Compatible with 3/4" NPT standard

Compatible with the following:

Parts	Description
AV-JBA	Junction Box Adapter
D4SO	Indoor/Outdoor 4" IP66, IK-10 Surface Mount Dome
HSG2-WMT	Wall Mount for HSG2 Housing
MB2-JBA	Junction Box Adapter for Bell Mount
MegaBall® Dome Cameras	All-in-One Indoor Cameras with 3.3-10mm Vari-Focal Lens. Not compatible with AV-SPMJB or AV-SWMJB.
MegaDome® Series Cameras	All-in-One Indoor/Outdoor Dome Solution with Remote Focus/Zoom option
MicroDome® -S Model	All-in-One Ultra Low Profile Day/Night Indoor or Indoor/Outdoor Surface Mount Dome Cameras

Mechanical	Casing Material	Aluminum
	Color	Ivory (Pantone® Cool Gray 1C)
	Dimensions	4.7" L (120mm) x 4.7" W (120mm) x 0.15" H (4mm)
	Weight	w/o Camera 0.3lbs (0.13kg)



Quick Installation:

1. Pass cables through the center hole of the adapter plate.
2. Attach the adapter plate to the electrical box (sold separately) using the appropriate hardware and mounting holes.
3. Attach the compatible part noted above.



AV-PMJB

Pendant Mount Bracket with Junction Box

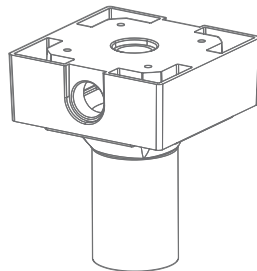
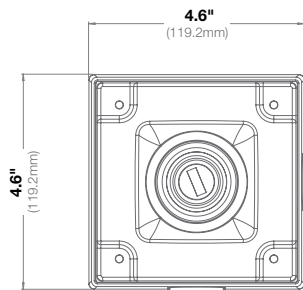
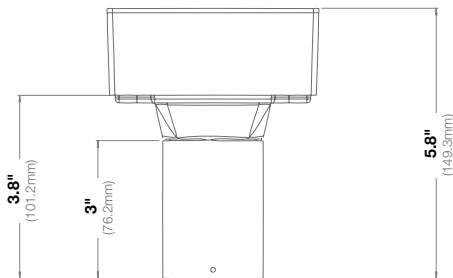


Features:

- Easy Installation and Superior Design
- Heavy Duty Enclosure Protection for Applications in Harsh Environments
- Die-Cast Aluminum is Resistant to Impact and Salt Damage

Compatibility	Compatible with 1.5" NPT Female
	Works with SurroundVideo® Series, MegaDome® Series, and D4SO

Mechanical	Casing Material	Aluminum
	Color	Ivory (Pantone® Cool Gray 1C)
	Dimensions	5.87" H (149.31mm) x 4.69" W (119.20mm)
	Weight	w/o Camera 2.12lbs (0.96kg)



AV-WMJB

Wall Mount Bracket with Junction Box

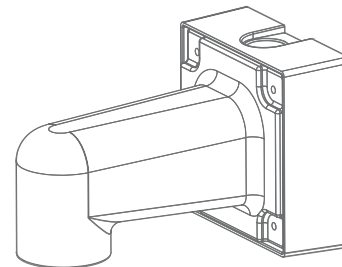
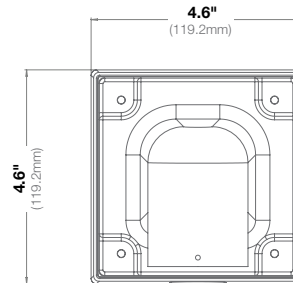
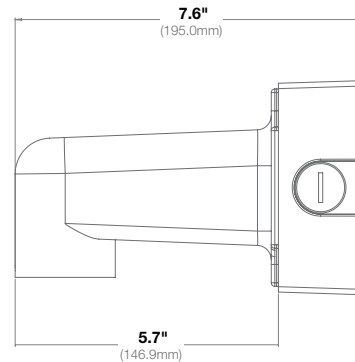


Features:

- Easy Installation and Superior Design
- Heavy Duty Enclosure Protection for Applications in Harsh Environments
- Die-Cast Aluminum is Resistant to Impact and Salt Damage

Compatibility	Compatible with 1.5" NPT Female
	Works with SurroundVideo® Series, MegaDome® Series, and D4SO

Mechanical	Casing Material	Aluminum
	Color	Ivory (Pantone® Cool Gray 1C)
	Dimensions	7.68" L (195.05mm) x 4.69" W (119.20mm)
	Weight	w/o Camera 2.49lbs (1.13kg)



AV-PMA

Pole Mount Adapter

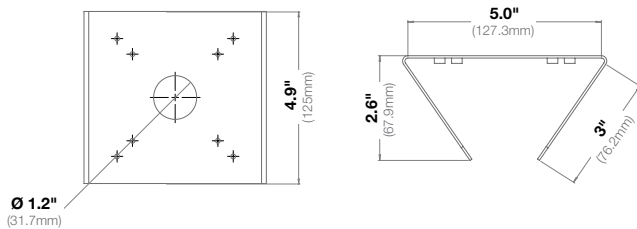


Features:

- Easy Installation and Superior Design
- Heavy Duty Enclosure Protection for Applications in Harsh Environments
- Die-Cast Aluminum is Resistant to Impact and Salt Damage

Compatibility	Works with AV-PMJB, AV-WMJB and AV-JBA
----------------------	--

Mechanical	Casing Material	Aluminum
	Color	Ivory (Pantone® Cool Gray 1C)
	Dimensions	5.01" W (127.32mm) x 4.92" H (125mm)
	Weight	w/o Camera 0.32lbs (0.15kg)



MD-FMA

Flush Mount Adapter

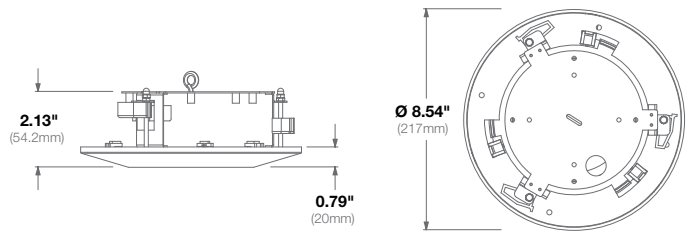


Features:

- Easy Installation and Superior Design
- Heavy Duty Enclosure Protection for Applications in Harsh Environments
- Die-Cast Aluminum is Resistant to Impact and Salt Damage

Compatibility	Works with MegaDome® Series
----------------------	-----------------------------

Mechanical	Casing Material	Aluminum
	Color	Ivory (Pantone® Cool Gray 1C)
	Dimensions	Ø 8.54" (217mm) x 2.13" H (54.2mm)
	Weight	w/o Camera 1.5lbs (0.68kg)



MD-CAP

Mounting Cap

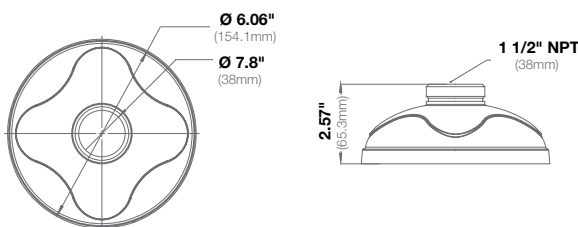


Features:

- Easy Installation and Superior Design
- Heavy Duty Enclosure Protection for Applications in Harsh Environments
- Die-Cast Aluminum is Resistant to Impact and Salt Damage

Compatibility	Compatible with 1.5" NPT standard
	Works with MegaDome® Series, SurroundVideo® G5 Mini and MegaVideo® Compact D4SO

Mechanical	Casing Material	Aluminum
	Color	Ivory (Pantone® Cool Gray 1C)
	Dimensions	Ø 6.06" (154.1mm) x 2.57" H (65.3mm)
	Weight	w/o Camera 1.02lbs (0.465kg)



SO-CAP

Mounting Cap

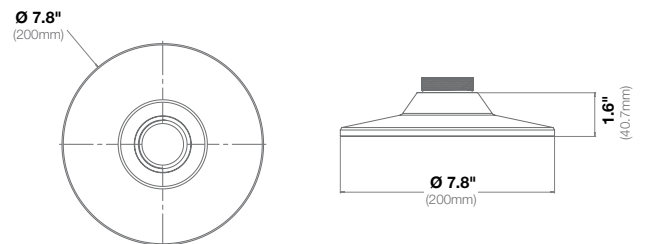


Features:

- Easy Installation and Superior Design
- Heavy Duty Enclosure Protection for Applications in Harsh Environments
- Die-Cast Aluminum is Resistant to Impact and Salt Damage

Compatibility	Compatible with 1.5" NPT Male
	Works with SurroundVideo® Omni and SurroundVideo® Omni G2

Mechanical	Casing Material	Aluminum
	Color	Ivory (Pantone® Cool Gray 1C)
	Dimensions	Ø 7.87" (200mm) x 1.6" H (40.79mm)
	Weight	w/o Camera 0.85lbs (0.39kg)



SO-FMA

Flush Mount Adapter

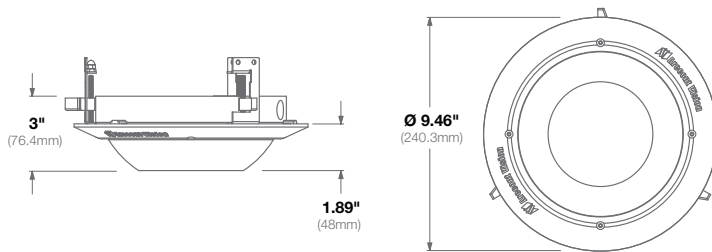


Features:

- Easy Installation and Superior Design
- Heavy Duty Enclosure Protection for Applications in Harsh Environments
- Die-Cast Aluminum is Resistant to Impact and Salt Damage

Compatibility Works with SurroundVideo® Omni and SurroundVideo® Omni G2

Mechanical	Casing Material	Aluminum
	Color	Ivory (Pantone® Cool Gray 1C)
	Dimensions	Ø 9.46" (240.3mm) x 3" H (76.4mm)
	Weight	w/o Camera 1.15lbs (0.52kg)



SV-FMA

Flush Mount Adapter

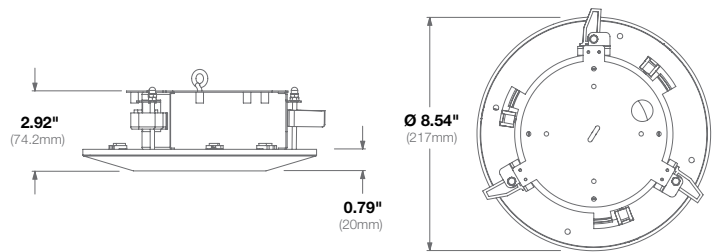


Features:

- Easy Installation and Superior Design
- Heavy Duty Enclosure Protection for Applications in Harsh Environments
- Die-Cast Aluminum is Resistant to Impact and Salt Damage

Compatibility Works with SurroundVideo®

Mechanical	Casing Material	Aluminum
	Color	Ivory (Pantone® Cool Gray 1C)
	Dimensions	Ø 8.54" (217mm) x 2.92" H (74.2mm)
	Weight	w/o Camera 1.3lbs (0.59kg)



SV-CAP

Mounting Cap



Features:

- Easy Installation and Superior Design
- Heavy Duty Enclosure Protection for Applications in Harsh Environments
- Die-Cast Aluminum is Resistant to Impact and Salt Damage

Compatibility Compatible with 1.5" NPT standard
Works with SurroundVideo® and SurroundVideo® G5

Mechanical	Casing Material	Aluminum
		IP66 Outdoor Protection Grade
	Color	Ivory (Pantone® Cool Gray 1C)
	Dimensions	Ø 7.4" (189mm) x 4.33" H (110mm)
Weight	w/o Camera 1.47lbs (0.69kg)	

