



ADVANCED
TECHNOLOGY
VIDEO

IP PRODUCT SERIES

>>> FULL HD RESOLUTION, DUAL STREAM, TRUE DAY/NIGHT,
ON-BOARD STORAGE, INTERIOR IP DOME

INTERIOR IP DOME IPFD2MT

- > Brilliant Video Quality with Full HD, 1920 x 1080 Resolution
- > Highly Efficient H.264 Video Compression which Drastically Reduces Bandwidth and Storage Requirements
- > Progressive Scanning for Sharper Video Motion Images
- > 3-9mm Vari-focal Auto-Iris Lens
- > Dual Video Streams Simultaneously, up to 30-ips, at 1080p Resolution using H.264 and MJPEG Compression
- > TRUE Day/Night Functionality for Low Light Applications
- > Supports a Micro-SD Memory Card Slot for Local, Event Detection Recording
- > Minimum Scene Illumination 2.5Lux Color; 0.2Lux B/W at F1.2, 50IRE
- > Backlight Compensation, 2D-DNR (Digital Noise Reduction) and Auto White Balance
- > Motion Detection (8 Windows), Privacy Masking (8 Windows) and FTP Image Upload
- > Up to 10 Simultaneous Connections through Remote Monitoring
- > View and Record up to 64 Cameras Simultaneously with included ATVision IP Remote Management Software
- > ONVIF Compliant for Network Video Interoperability
- > Optional Wall and Pendant Mount Available
- > Test Monitor Cable Supplied
- > PoE & 12VDC Power Option Capability



ONVIF

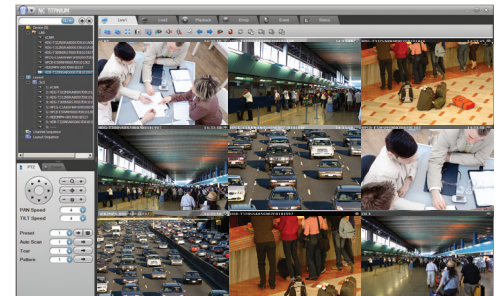
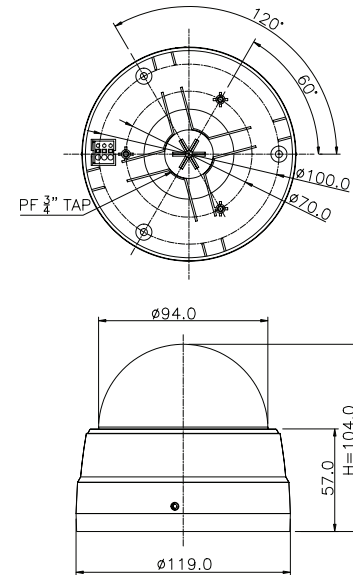
INTERIOR IP DOME IPFD2MT

IP PRODUCT SERIES

SPECIFICATIONS

MODEL	IPFD2MT		
CAMERA	Image sensor	1/2.7" Progressive scan RGB CMOS	
	Active Array	1280(H) x 1024(V)	
	Lens	Varifocal 3.0mm ~ 9.0mm, F1.2 DC IRIS	
	Angle of View	3.0mm - 93°(H) / 9.0mm - 31.7°(H)	
	Camera Angle Adjustment	Pan: 360°, Tilt: 180°, Rotation: 360°	
	Min. illumination	Color: 2.5Lux, B/W: 0.2Lux(1.2, 50IRE)	
NETWORK	Shutter Speed	1/20,000 ~ 1/30	
	Video Compression	Motion JPEG, MPEG-4 Part2, H.264 (MPEG-4 Part 10) Profiles: H.264 MP and BP, MPEG-4 ASP and SP	
	Video Resolutions	320x240 ~ 1920x1080	
	Frame Rate	30fps @ all resolutions	
	Video Streaming	Simultaneously H.264(or MPEG-4) and MJPEG, Controllable Frame Rate and Bandwidth VBR/CBR H.264 and MPEG-4	
	Protocol	TCP/IP, UDP, IPv4/v6, HTTP, HTTPS, QoS, FTP, SNMP, uPnP, RTP, RTSP, RTCP, DHCP, ARP, Zeroconf, Bonjour	
	Security	Multi-user authority, HTTPS, IP Filtering, Privacy Zone	
	Remote Access	ATVision IP Remote Management Software, Web Browser	
	Max. Connection	10	
	Compatible 3rd Party VMS	See link on www.atvideo.com	
	Alarm Triggers	Motion Detection, External Input, Manual Trigger	
	Alarm Events	File upload via FTP and HTTP, Notification via E-mail, HTTP and TCP, External Output activation, Audio alert activation	
	Video Buffering	Pre and Post Alarm	
	Motion Detection	Yes, max. 8 programmable windows	
	Network Time Synchronization	Yes	
	Micro-SD Card Recording	Yes, Event	
	Software Reset	Yes	
	Factory Reset	Yes, Button/Web browser	
	Auto Recovery	Yes	
	Installation Tool	Yes, SmartManager (included utility software)	
	Upgrade	Yes, Web browser/SmartManager (included utility software)	
	GENERAL	Alarm Input	Terminal, 1 TTL input
		Alarm Output	Terminal, 1 open collector(max. 24V DC, max. 100mA)
		Micro-SD Card	Micro-SDHC class 6 or above recommended
Ethernet		RJ-45 10BASE-T/100BASE-TX	
Operating Temperature		32° - 122°F (0° - 50°C)	
Operation Humidity		0~90% (non-condensing)	
Power Consumption		DC12V max.4.0watt, Power over Ethernet IEEE 802.3af Class2/3	
External Dimension (Dia x H)		4.6 x 4.1in (119 x 104mm)	
Unit Weight		0.67lbs (.305kg)	
Conformity Certifications		FCC, CE, UL	

DIMENSIONS



ATVision IP Remote Management Software

System Requirements for ATVision IP Remote Management Software:

Operating System: Microsoft® Windows® XP Professional, Windows Vista™ Enterprise/Ultimate, Windows 7 Professional/Enterprise/Ultimate (Windows 7 recommended)

CPU: Intel® Core™2 Quad processors or higher (Core™ i7 processor recommended)

RAM: Minimum 1 GB (4 GB or more recommended)

ACCESSORIES

A-CD4-M2W Wall Mount

A-CD4-P2W Pendant Mount



A-CD4-P2W



A-CD4-M2W

Advanced Technology Video | 850 Freepoint Pkwy., Ste.100, Coppell, TX 75019
Toll Free 888.288.7644 | Main 972.459.8645 | Fax 972.459.8661

©2012 ATV All rights reserved. Specifications and Design are subject to change without notice.
ATV7161011-02

