

www.GESecurity.com

Overview

The Mini-Max® Miniature Camera is a discreet miniature camera that includes a fully adjustable miniature mounting bracket. Customize each discreet camera with your choice of lenses and electronics to best fit your application. Choose from 2.5, 4, 6, 8, or 12 mm standard lenses. The Mini-Max is also available with 3.6 or 5 mm pinhole lenses.

Outstanding Features

All GE Security Premier Line black-and-white cameras deliver a resolution of 425 TV lines and light sensitivity of 0.1 lux. The color cameras deliver a resolution of 380 TV lines and light sensitivity of 1.0 lux. Both cameras feature a high speed electronic shutter that compensates for changing lighting conditions, from bright sunlight to dim outdoor lighting. Backlight compensation prevents foreground objects from becoming silhouetted against bright backgrounds.

Each camera includes a plug-in power supply and easy-connect leads for simple installation.

Mini-Max Miniature Camera



Standard Features

- **Measures just 1.5 x 1.5 x 0.75 inches**
- **Fully adjustable miniature mounting bracket**
- **Color or black-and-white camera options**
- **2.5, 4, 6, 8, or 12 mm lenses available**
- **3.6 or 5 mm pinhole lenses available**



Mini-Max Miniature Camera

Specifications

Ultra Line Camera Specifications

- Signal system: NTSC/EIA standard, PAL/CCIR optional
- Image sensor: 1/3 in interline transfer super HAD CCD
- Picture elements: 811 H x 508 V
- Scanning system: 2:1 interlace—525 lines, 60 fields (NTSC/EIA); optional 625 lines, 50 fields (PAL/CCIR)
- Signal-to-noise ratio: > 50 dB (AGC off)
- AGC: Max 30 dB
- Backlight compensation: Automatic histogram on (under AES), center window weighted
- Synchronization: Internal/line lock AC
- Gamma compensation: 0.45
- Video output: 1.0 V pk-pk 75 ohm unbalanced
- Electronic shutter: AES 1/50 (1/60 sec) to 1/100,000 sec
- Power supply: 12 VDC
- Power consumption: 95 mA, 1.14 W
- Operating temperature: 0° to 140° F (-18° to 60° C)

B/W Ultra Line Camera

- Resolution: 580 TVL
- Sensitivity: 0.1 lux @ f1.4 (minimum illumination); 0.01 lux (faceplate)
- Power consumption: 125 mZ; 1.5 W @ 12 VDC

Color Ultra Line Camera

- Resolution: 480 TVL
- Sensitivity: 1.0 lux @ f1.4 (minimum illumination); 0.1 lux (faceplate)
- White balance: Auto white balance 2500 to 9500 K
- Power consumption: 160 mA, 1.9 W

Premier Line Camera Specifications

- Signal system: NTSC/EIA standard, PAL/CCIR optional
- Image sensor: 1/3 in interline transfer CCD
- Picture elements: 512 H x 492 V
- Scanning system: 2:1 interlace—525 lines, 60 fields (NTSC/EIA); optional 625 lines, 50 fields (PAL/CCIR)
- Signal-to-noise ratio: 48 dB (AGC off)
- AGC: Max 30 dB
- Backlight compensation: On (under AES), center weighted
- Synchronization: Internal
- Gamma compensation: 0.45
- Video output: 1.0 V pk-pk 75 ohm unbalanced
- Electronic shutter: AES 1/60 to 1/100,000 sec
- Power supply: 12 VDC
- Operating temperature: 0° to 140° F (-18° to 60° C)

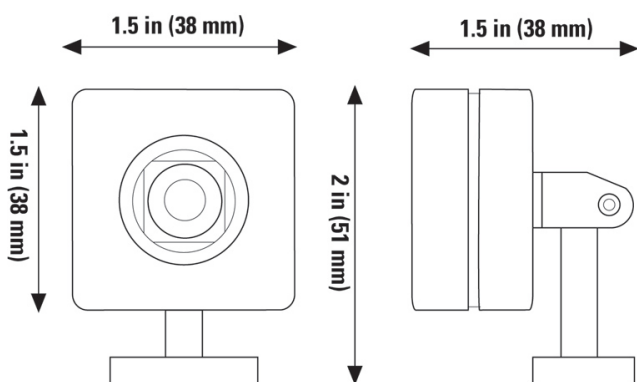
B/W Premier Line Camera

- Resolution: 425 TVL
- Sensitivity: 0.1 lux @ f1.2 (minimum illumination); 0.01 lux (faceplate)
- Power consumption: 95 mA, 1.14 W

Color Premier Line Camera

- Resolution: 380 TVL
- Sensitivity: 1.0 lux @ f1.2 (minimum illumination); 0.1 lux (faceplate)
- Power consumption: 120 mA, 1.45 W

Related Diagram



Ordering Information

MM- [] - []		
Camera Type 450 Premier B/W, 425 TVL 950 Premier Color, 380 TVL 1200 Ultra B/W, 580 TVL 1500 Ultra Color, 480 TVL	Lens Type 2.5 2.5 mm (Premier line only) 4 4 mm 6 6 mm (Premier line only) 8 8 mm 12 12 mm P3 3.6 mm pinhole P5 5 mm pinhole	Accessories MM- [] - 4 1200 Ultra B/W, 580 TVL, with lens pack (includes 2.5, 4, and 6 mm lenses) 1500 Ultra Color, 480 TVL, with lens pack (includes 2.5, 4, and 6 mm lenses)



GE Security

Mailing Address
 4575 Research Way, STE 250
 Corvallis, OR 97333 USA
 www.GESecurity.com

Americas
 800-469-1676 (US only)
 tel 541-754-9133
 fax 541-754-7162

Asia
 tel 852-2907-8108
 fax 852-2142-5063
 Australia
 tel 61-3-9259-4700
 fax 61-3-9259-4799

Europe
 tel 32-2-725-11-20
 fax 32-2-721-86-13
 Latin America
 tel 305-267-4301
 fax 305-267-4300

www.GESecurity.com