



Advanced Technology Video, Inc.



FD540 Series / Indoor Dome

- Superior Image Quality (540 TV lines) with Excellent Color Reproduction
- 1/3" Sony Super HAD CCD Image Sensor
- Specially Designed for Challenging 24 hours Surveillance Applications
- Day & Night Mode: Color Converts to B/W in Low Light with an ICR (Infrared Cut Filter Removal) Function
- Outstanding Night Vision 0 Lux with Infra-Red
- Vari-Focal Lens with 3 Axis Compact Size
- Excellent Sensitivity Minimum Illumination of 0.5 lux (Color) and 0.01 lux (Sens-up)
- Noise Reduction for Picture Quality & File Size
- EI, Flickerless, BLC, AGC, AI (OSD Menu adjustments)
- Privacy Masking (4 Point)
- OSD (On Screen Display)
- Wall, Ceiling Mountable with 3-Axis Camera Mechanism
- Stylish Interior Plastic Rugged Dome Camera
- Dual Power Operation DC12V/AC24V
- Fast & Easy Installation



FD540DN / FD540DNIR SPECIFICATIONS

MODELS

FD540DN

FD540DNIR

POWER

Power Source
Power Consumption

DC12V/AC24V ± 10%
3.5W max

DC12V/AC24V ± 10%
3.0W max/6.0 W (IR on)

GENERAL

Image Sensor
Total Pixels
Scanning System
Scanning Frequency

1/3" Sony Super HAD CCD
811(H) x 508(V)
2:1 interlace
15.734KHz(H)
59.94Hz(V)

1/3" Sony Super HAD CCD
811(H) x 508(V)
2:1 interlace
15.734KHz(H)
59.94Hz(V)

Sync. System
Electronic Shutter
Resolution
Min. Illumination

Internal/Line Lock
1/60-1/120.000 sec
540 TV Lines
0.5 lux (Color), 0.01 lux (Sens up)
@ F1.2, 50IRE

Internal/Line Lock
1/60-1/120.000 sec
540 TV Lines
0.5lux (Color), 0.04 lux (B/W)
0 Lux (IR LED ON) @F1.2, 50IRE

Video Output
S/N Ratio
DNR Function
Function Control

1.0 Vp-p (75ohm, Composite)
More than 50dB (AGC off)
ON
Tact Switch

1.0 Vp-p (75ohm, Composite)
More than 50dB (AGC off)
ON
Tact Switch

IR

IR LED
IR Wavelength
IR distance range
IR project angle
IR on/off

n/a
n/a
n/a
n/a
n/a

23 pcs high brightness IR LED
850 nm
25m~30m (from object of view reflected infrared)
40°
Light Sensor Control

FUNCTION

Auto Exposure

Normal/Flickerless/Manual Shutter
(1/60, FLC, 1/250, 1/500, 1/1000,
1/2000, 1/4000, 1/10000)

Normal/Flickerless/Manual Shutter
(1/60, FLC, 1/250, 1/500, 1/1000,
1/2000, 1/4000, 1/10000)

Lens (Auto Iris Control)
BLC
AGC
Sens Up
White Balance
Day/Night

DC
Off/On
Off/Low/Middle/High
Off/x2/x4/x8/x16/x32
ATW/AWC/Manual
Auto/Day/Night (ICR)

DC
Off/On
Off/Low/Middle/High
Off/x2/x4/x8/x16/x32
ATW/AWC/Manual
Auto/Day/Night/Ext
(IR Camera default setting: EXT)

Privacy Zone
Display Title
Video Picture
Brightness
Sharpness
Mirror
Sync

Off/On (4 point)
Off/On
POSI/NEGA
0-60
0-15
Normal/Mirror/Vertical/Rotate
INT/Auto

Off/On (4 point)
Off/On
POSI/NEGA
0-60
0-15
Normal/Mirror/Vertical/Rotate
INT/Auto

CONNECTOR & ETC

Power Input
Video Output
Lens Mount
Lens
Operating Temperature
External Dimension

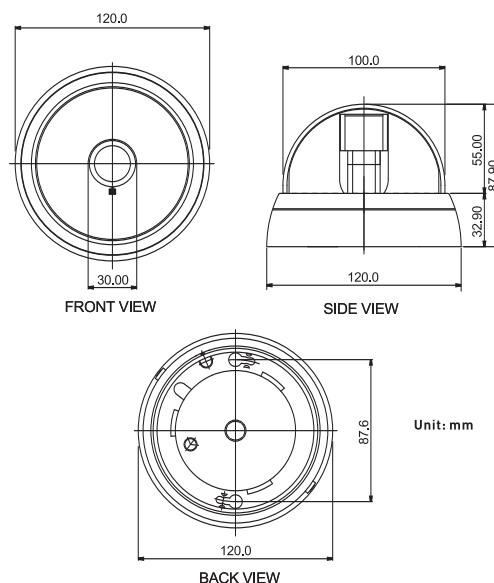
2-Pin Wire
BNC Connector
Fixed Mount
Varifocal 4-9mm
-10°C ~ 50°C (14°F ~ 122°F)
100(Ø) x 87.9(H) mm
3.94 diameter x 3.5(H) inch
400g (14.1 oz.)

2-Pin Wire
BNC Connector
Fixed Mount
Varifocal 4-9mm
-10°C ~ 50°C (14°F ~ 122°F)
100(Ø) x 87.9(H) mm
3.94 diameter x 3.5(H) inch
410g (14.5 oz.)

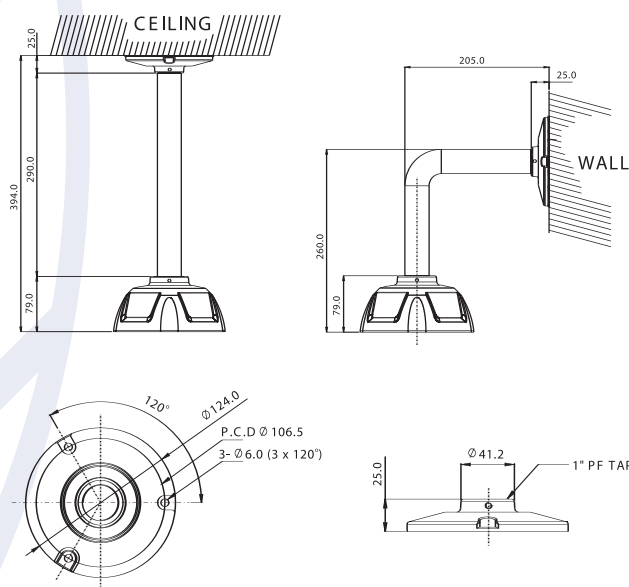
Weight

DIMENSIONAL DRAWINGS

FD540DN / FD540DNIR



WALL, CEILING MOUNT



VDMWC MOUNT

Construction	Aluminum and steel
Pipe Specification	1" diameter pipe (metric thread)
Dimensions	straight pipe 11.42" (290mm)
	total pendent 15.51" (394mm)
	total offset 8.07" (205mm)
	total drop 10.24" (260mm)
Maximum Load	11 lbs (1.2kg)
Weight	2.6 lbs (5.0kg)



Advanced Technology Video, Inc.
850 Freeport Pkwy., Ste.100, Coppell, TX 75019
Toll Free 888/288-7644 Main 972/459-8645 Fax 972/459-8661
www.atvideo.com

ATV1081008-02