



formerly DIGIMERGE



# DNB13TL2

# 2.1MP HD Compact Varifocal IR Bullet IP Camera

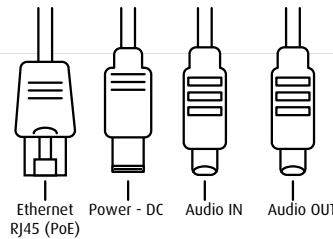


Future-proof your camera decision with the 2.1MP Compact Varifocal IR Bullet IP Camera featuring HD picture quality at real-time (1080p @ 30fps) and ONVIF 2.1 compliance (backward compatible with 1.02). DNB13TL2 is bundled with FLIR's Syncro-V client solution (36 Channel) plus Milestone's XProtect® GO (8 Channel) software, and it is also compatible with other leading VMS applications. The rugged IP66 rated camera offers exceptional video quality and performance with a 3.3-12mm varifocal lens, True Day/Night (TDN) with ICR, 100ft IR night vision, PoE, microSD storage, and multi-streaming.

## Features

- ❖ 2.1 MP HD, Sony Exmor™ 1/2.8" CMOS Progressive Scan
- ❖ 1080p picture quality at real-time (30 fps)
- ❖ Triple-streaming (H.264/MJPEG)
- ❖ Futureproof ONVIF 2.1 compliance (1.02 backwards compatible)
- ❖ Compatible with popular third party VMS software
- ❖ Milestone XProtect® GO (8 Channel) VMS included plus FLIR Syncro-V
- ❖ Power-over-Ethernet (PoE) operation, 14Watt max/12V operation
- ❖ Backup options: microSD card, FTP, NAS, local
- ❖ Mobile Apps – iPhone, iPad, Android
- ❖ Supports two-way audio
- ❖ 3.3-12mm Varifocal MegaPixel lens
- ❖ 100 ft (30 m) IR Night Vision, True Day/Night (TDN)
- ❖ IP66 Weatherproof rated
- ❖ Multi-browser support: IE, Firefox, Safari, Chrome
- ❖ Free FLIR DDNS service
- ❖ Cable through bracket design
- ❖ 3 year warranty

### Inputs/Outputs



### Dashboard Overview



### Software Included

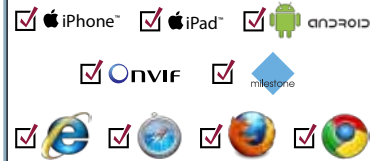
Milestone XProtect® GO (8ch) Video Management Software



Syncro-V (36 channels) Video Management Software



### Connected



\*See digimerge.com for the most updated list of third party VMS compatibility

All trademarks are property of their registered owners



# Specifications

## Camera

Sensor/DSP:	1/2.8" CMOS Progressive Scan
Day/Night:	True Day/Night with ICR Filter. High Powered IR LEDs
Resolutions and Max supported frame rate:	1920x1080 Full HD 2.1MP at 30fps
Min. Illumination:	Color: 0.1 lux@F1.2 / (0 Lux IR LED On)
Lens:	3.3-12mm Vari-focal
Horizontal Field of View:	30° ~ 79°
IR LED:	10pc Super Flux LEDs 850nm
IR Distance:	100 feet/30 Meters
Video Output:	RJ45, Setup/Service BNC Video Out
Electronic Shutter:	Auto/User 1/5 - 1/50,0000

## Video

Compression:	H-264 High Profile (Support Baseline Profile/ MJPEG)
Bit Rate (CBR/VBR):	Stream1 20Kbps - 5Mbps ; Stream2 10Kbps - 6Mbps ; Stream3 (MJPEG Fixed)
Quality Setting:	1 - 9 (9 Highest)
Multi- Streaming:	User setting of Stream 1/2 at supported Resolutions, Stream3 fixed MJPEG Stream
Brightness/Sharpness:	Variable 0~100/0~100
Gain Control:	Auto/Fixed 8~102db
Orientation:	Horizontal Mirror/Vertical Flip
Text Overlay:	Time/Date/Camera/Custom OSD
Masking:	3 User defined masking areas < 8% of total picture

## Network

Ethernet:	1 Ethernet (10/100 Base-T) RJ-45 Connector one network coupler supplied
TCP/IP:	IPv4/IPv6 (DHCP/Fixed)
Compliance:	Onvif 2.1 (1.02 backward compatible)
RTSP Video:	Standard RFC2326, Support QuickTime/VLC Player. User security authentication (Enabled/ Disabled)
Web Language:	English, Chinese, Russian, Polish
Recording Simultaneous:	Local microSD Memory*, Remote FTP server, TCP/UDP CMS, RTSP connection (stream 1,2 or 3)
Network Protocols:	HTTP, TCP/IP, UDP/IP, RTSP, FTP, DHCP, NTP, PPoE. Video streaming from SDK & NVMS/NVR software or 3rd party applications. User Ports setting for Web port, RTSP Port, and SDK Control Port and Alarm Port.

\*microSD card not included. Up to 64GB.

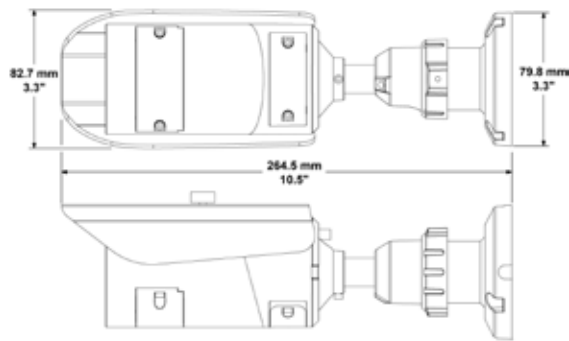
## Audio

Input/Output:	1 x RCA Input/1 x RCA Audio Output 1v Line Level
Audio Compression:	G711 A-Law, G711 U-Law, RAW_PCM

## General

Power:	12V DC, 740mA/9W
Power over Ethernet:	PoE Class 3, 14W max
Operating Temperature:	-4°F to 122°F/-20°C to 50°C
Operating Humidity	10% - 85% RH
Approvals	CE/FCC/RoHS Compliant/IP66/IK10
Product Dimensions	10.5 x 3.3"/265 x 83mm
Product Weight	0.85kg/1.9lb

## Dimensions



## Product Information

UPC:	8-41430-00872-9
Weight:	1.13kg/2.5lbs
Package Dimensions: (W x D x H)	300 x 160 x 120mm 11.8 x 6.1 x 4.7"
Package Cube:	0.0058 cbm/0.203cu ft

## What's Included:

Software CD:	Milestone XProtect® GO Software Syncro-V Auto Port Forwarding wizard
User Manual	
Surface Mounting Template	