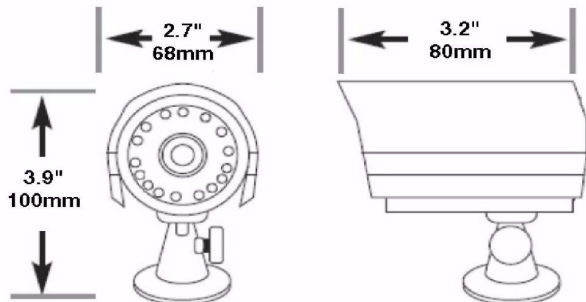


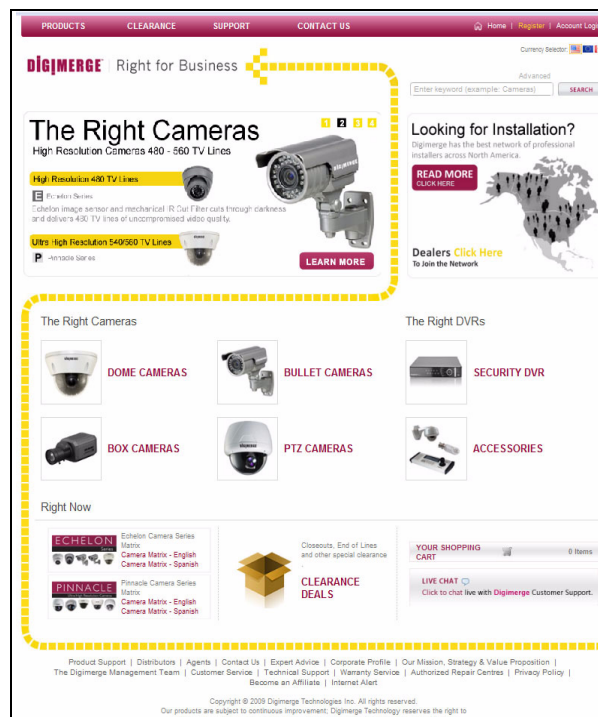
Camera Specifications

Image Sensor	1/4" Echelon Series Sensor
Video Format / Pixels	NTSC: 656(H) x 492 (V)
Horizontal Resolution	480 TVL
Sync. & Scan. Systems	Internal; 2:1 Interlace
S/N Ratio	> 48dB
Iris & Shutter Speed	AES; 1/60 ~ 1/50,000 sec.
Minimum Illumination	0.6 LUX @ F1.2 (IR Off) 0 LUX (IR LEDs ON)
Video Output	Comp. 1.0 Vpp @ 75ohm
Lens / Lens Mount	5.08 mm F2.8/ Fixed
FOV (diagonal)	50 Degrees
Termination	Video: BNC Female Power: Barrel Female
IR / Night Vision Range	30 IR LEDs/850nm/75'(23m)
Power Requirement	12V DC ±10%
Power Consumption	200mA max
Operating Temp.	-4°F ~ 122°F (-20°C ~ 50°C)
Weight (with stand)	10.4 oz / 294.8 g
Dimensions LxWxH (with stand & sunshade)	3.9" x 2.7" x 3.2" 100mm x 68mm x 80mm



IT'S ALL ON THE WEB!

- Product Information
- User Manuals
- Quick Start Guides
- Specification Sheets
- Software Upgrades
- Firmware Upgrades



HIGH RESOLUTION COLOR IR BULLET CAMERA

MODEL: **DCB13TL**



VISIT
www.digimerge.com

QUICK START GUIDE
English Version 1.0

DIGIMERGE

www.digimerge.com

Digimerge Technologies Inc.
Copyright © 2010 Digimerge Technologies Inc.
As our products are subject to continuous improvement, Digimerge reserves the right to modify product design, specifications and prices, without notice and without incurring any obligation. E&OE

Contents



1 x High Resolution Color Camera



1 x Mounting Bracket / Stand



1 x Power Pigtail



1x 12V DC Power Adapter

WARNING - A REGULATED UL/CSA APPROVED 12V DC 500mA power supply is REQUIRED for use with this camera. Use of a non-regulated, non-conforming power supply can damage this product and will void the warranty.

Features

- 1/4" Echelon Series Image Sensor provides a High Resolution image (480 TV Lines)
- Auto Mechanical IR Cut Filter removal function ensures accurate color reproduction
- Durable Weatherproof Indoor/Outdoor camera (IP66)*
- Enhanced Night Vision Capability - up to 75 ft / 23m **
- 12V DC Operation

* Not intended for submersion in water. Installation in a sheltered location recommended.

** IR Illumination range of 75 ft. (23m) under ideal conditions. Objects at or beyond this range may be partially or completely obscured, depending on the camera application.

Installing the Camera

ATTENTION - Test the camera prior to selecting a permanent mounting location by temporarily connecting the cameras and cables to the TV,VCR, DVR or Observation System.

PRECAUTIONS

- Use an appropriate low voltage power cable to prevent fire or electrical shock.
- Make sure to install the camera in an area that can support the camera weight.
- There are no user serviceable parts inside the camera. Please do not disassemble the camera.
- Do not clean the lens cover with an abrasive cleaning material Please use a soft cloth to clean the lens cover.

1. Mount the camera stand to the desired mounting surface using the provided screws.
2. Attach the camera to the supplied stand at either of the two connection points.



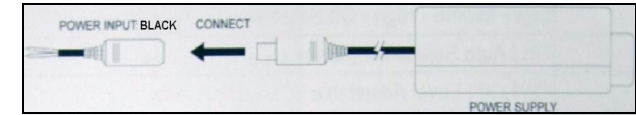
3. Use the BNC connector to connect camera to a monitor, switch etc.

ATTENTION - This Camera includes a Mechanical Auto IR Cut Filter. When the camera changes between Day/Night filtering, an audible clicking noise may be heard coming from the camera. This clicking is normal, and indicates that the Camera filter is working.

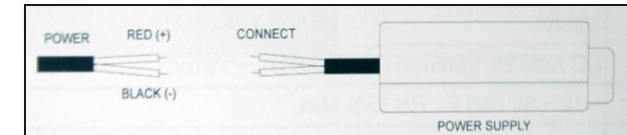
Connecting the Camera

4. Connect power to the camera:

- **DC Power—Power adaptor:** Connect the included 12V DC Power Adaptor to the camera. Plug the Power Adaptor into an outlet.



- **DC Power—Power Pigtail:** Connect the included Power Pigtail to the camera. Connect the terminating wires of the cable directly to the DC power source.



- Red wire on Pigtail is positive (+)
- Black wire on Pigtail is negative (-)

Setup Diagram:

