

SECTION I

ALUMINUM DOOR HARDWARE

D-1	Push or Pull Paddle for Deadlatch	D-28	Mortise Lock Cylinders
D-2	Push or Pull Paddle for Deadlatch	D-29	Adapter Rings for Mortise Cylinders
D-3	Push or Pull Paddle for Deadlatch	D-30	Heavy Duty Thresholds
D-4	Push or Pull Paddle for Deadlatch	D-31	Assorted Door Holders
D-5	Narrow Stile Heavy Duty Deadlatch	D-32	Storm & Jalousie Chain Door Guards
D-6	Narrow Stile Deadlatch	D-33	Sliding Door Locks & Show Case Locks
D-7	Narrow Stile Deadlatch	D-34	Electro-Magnetic Door Locks
D-8	Narrow Stile Deadlatch	D-35	Electro-Magnetic Door Locks
D-9	Narrow Stile Deadbolt	D-36	Electric Door Strikes
D-10	Narrow Stile Deadbolt	D-37	Electric Door Strikes
D-11	Narrow Stile Hook-Type Deadlock	D-38	Electric Door Strikes
D-12	Narrow Stile Hook-Type Deadlock	OTHER ALUMINUM DOOR HARDWARE PRODUCTS	
D-13	Narrow Stile Lever Handles		
D-14	for use with Deadlatch	Door Closers (See Section A)	
D-15	Narrow Stile Lever Handles	Hinges (See Section D)	
D-16	for use with Deadlatch	Electric Strikes (See Section F)	
D-17	Mortise Flush Bolts	Panic Hardware (See Section E)	
D-18	Narrow Stile Solid Brass Deadbolt	Electromagnetic Locks (See Section F)	
D-19	Offset Pivot Sets		
D-20	Offset Pivot Sets		
D-21	Offset Pivot Sets		
D-22	Narrow Stile Latch Strikes		
D-23	Super-XH5 Hinge Kit		
D-24	ED-800 Series Narrow Stile Exit Devices		
D-25	ED-800 Series Narrow Stile Exit Devices		
D-26	E-DG22 Economy Dor-Guard Set		
D-27	E-DG22 Economy Dor-Guard Set		

SEE OUR WIDE ASSORTMENT OF

- 4 Series of USA Made ANSI Grade 1 Surface Mounted Trimline Closers, Made for us by a Leading USA Door Closer Mfr.
- 5 Series of Imported Surface Mounted Trimline Closers
- Complete Assortment of Concealed Overhead Closers

All at Great Prices - See Section "A"

TRANS-ATLANTIC CO

440 Fairmount Ave., Phila., PA 19123

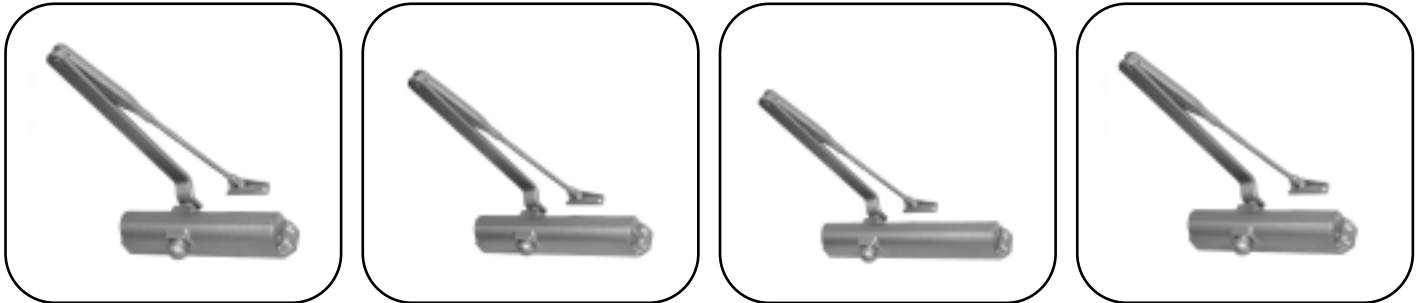
PH: 215-629-0400 • 800-523-9956

FX: 215-629-1282 • 800-531-0844

TRANS-ATLANTIC IS PROUD TO ANNOUNCE OUR EXPANDED LINE OF AMERICAN MADE PRODUCTS



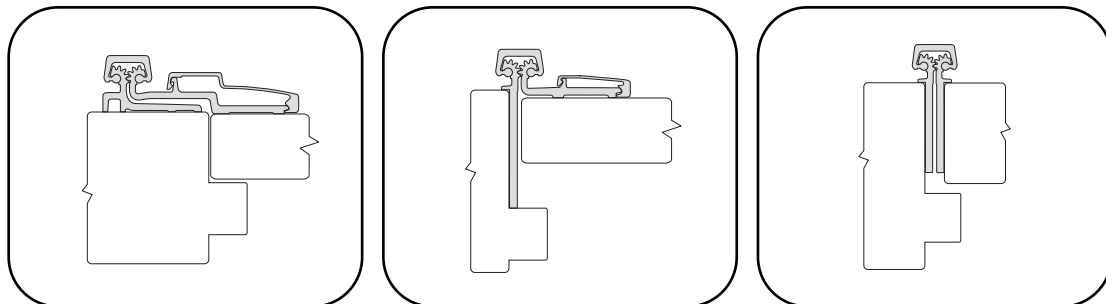
FOUR SERIES OF DOOR CLOSERS BY DORMA



See Section "F" for complete product information and pricing.
Plus 6 excellent quality series of imported door closers at great prices!



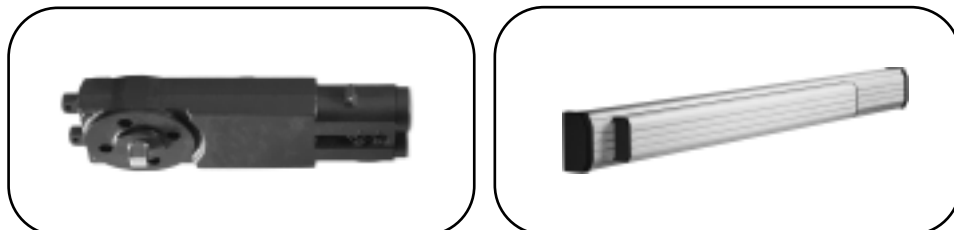
A WIDE ASSORTMENT OF ROTON CONTINUOUS HINGES BY HAGER



See Section "I" for complete product information and pricing.



OVERHEAD CONCEALED CLOSERS & EXIT DEVICES BY JACKSON



See Section "F" for complete product information and pricing.

**E-PP496 PUSH
E-PP497 PULL**

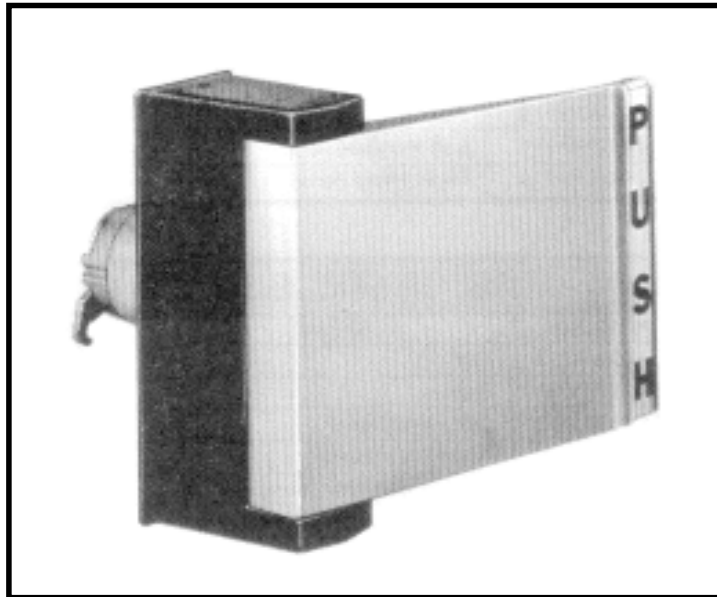
PADDLE DEVICE

**ECONOMY PRICED SMART ALTERNATIVE TO
KNOB OR LEVER HANDLE**

**CROSS REFERENCE
ADAMS RITE 4590**

ESCUTCHEON

ZINC ALLOY, BLACK FINISH HOUSING STEEL OPERATING MECHANISM. IT IS SECURED TO DOOR STILE WITH SPECIAL BINDER POSTS THAT EXTEND INTO THE ESCUTCHEON TO RIGIDLY RESIST TORQUE LOADS IN ANY DIRECTION



PADDLE

EXTRUDED ALUMINUM, SATIN ANODIZED (US28) FINISH, OR DARK DURONODIC

CAM PLUG



FURNISHED FOR USE WITH MOST ANY DEADLATCH SERIES FOR NARROW STILE DOORS

STANDARD PACKAGE

FURNISHED COMPLETE WITH MOUNTING HARDWARE:

- 1 PADDLE
- 1 ESCUTCHEON
- 2 BINDER POSTS.
- 2 SELF ADHESIVE DECALS (PUSH & PULL)
- 1 CAM PLUG

FUNCTION

PADDLE IS OPERATED BY PUSH OR PULL ACTION ALONG PIN AXIS ATTACHED TO ESCUTCHEON. A FORTY FIVE DEGREE ARM EXTENDING VERTICALLY FROM END OF PADDLE PART ATTACHED TO AXIS PIN. ARM ENGAGES DRIVER PLATE TO EXECUTE DRIVING MOTION IN EITHER PUSH OR PULL DIRECTION WHICH IN TURN FORCES THE CAM PLUG TO ROTATE BY MEANS OF A DISK ATTACHED TO A DRIVER SCREW.

- COMPATIBLE WITH ANY ADAMS-RITE SERIES 4700 DEADLATCHES (EXCEPT 4750) OR MS+1890.
- COMPATIBLE WITH TRANS ATLANTIC CO. DEADLATCH SERIES DL3200, DX-DL4700.

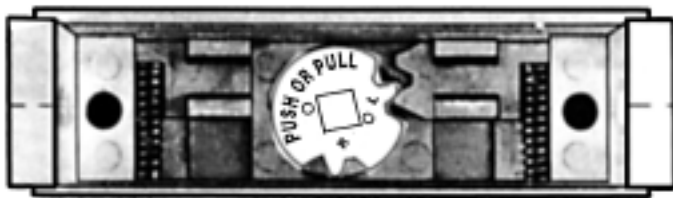
**DX-PP496 PUSH
DX-PP497 PULL**

PADDLE DEVICE

**THIS PADDLE IS USEABLE 4 WAYS - UNIVERSAL
LEFT OR RIGHT HAND - PUSH OR LEFT OR RIGHT HAND-PULL**

TO CHANGE THE PRESET HANDING FOLLOW THESE SIMPLE INSTRUCTIONS CAREFULLY.
ALL PICTURES SHOWN ARE FACING YOU.

PULL LH Outside of left hand reverse door or inside of right hand	PULL RH Outside of right hand reverse door or inside of left hand	PUSH LH Outside of left hand door or inside of right hand reverse	PUSH RH Outside of right hand door or inside of left hand reverse
Internal Parts Must Be in These Positions	Internal Parts Must Be in These Positions	Internal Parts Must Be in These Positions	Internal Parts Must Be in These Positions
(BOTTOM)	(BOTTOM)	(BOTTOM)	(BOTTOM)
USE CARTRIDGE NO. 1 FOR THIS APPLICATION.	USE CARTRIDGE NO. 1 FOR THIS APPLICATION.	USE CARTRIDGE NO. 2 FOR THIS APPLICATION. INSTALL WITH L END FIRST.	USE CARTRIDGE NO. 2 FOR THIS APPLICATION. INSTALL WITH R END FIRST.
THIS IS BOTTOM SIDE OF HOUSING			
INSERT CARTRIDGE AND HOUSING IN DIRECTION SHOWN			
CAM PLUG MUST HAVE R OR L SHOWING ON BACK SIDE IN POSITION SHOWN - FACING YOU.			



UNIQUE PATENTED INTERNAL CONSTRUCTION

NET PRICE PER UNIT

DX-PP496

DX-PP497

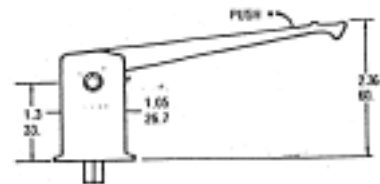
QUANTITY DISCOUNTS

20 UNITS - LESS 5%
50 UNITS - LESS 7-1/2%
100 UNITS - LESS 10%

PACKED

25 PER CARTON

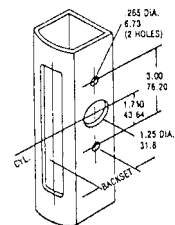
PADDLE DEVICE



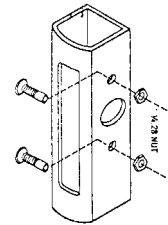
SHOWN AT REST.
PADDLE TRAVEL IS 1.58 (40)

INSTALLATION

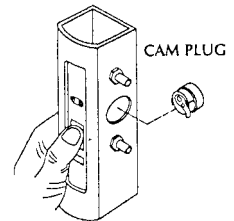
1. Stile Preparation



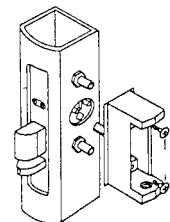
2. Install Mounting Studs



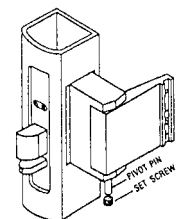
3. Install Latch & Cam Plug



4. Install Housing Assembly



5. Install Paddle



PUSH OR PULL DECALS
ALUMINUM FOIL
PRESSURE SENSITIVE
AVAILABLE FOR

THE FIRST AND ONLY NON-HANDED PUSH OR PULL PADDLE

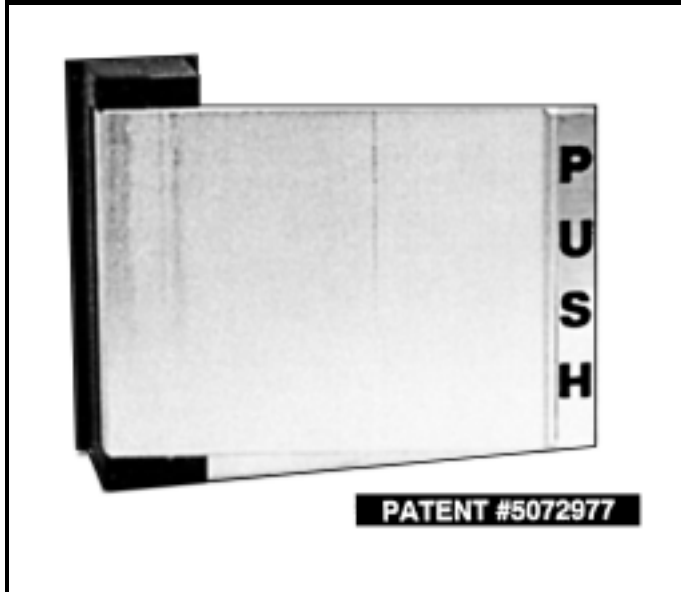
FOR USE WITH ALL SIZES & MODELS OF NARROW STILE LATCHES

Same Unit Can Be Used For Push Or Pull - Right Or Left Hand
Now All You Need To Stock Are 2 Items Instead Of 8

**“One Unit Does It All
Better And More Efficiently”**

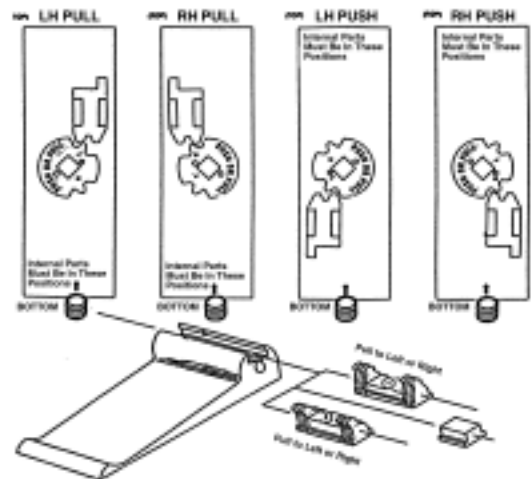
This newly patented product has been **engineered and designed** to give you a **PUSH-PULL PADDLE** that will **operate efficiently** and **trouble-free** with any narrow stile latch, Push or Pull - Right or Left hand.

MODEL NO.'S DX-PP496 & DX-PP497



DIRECTIONS FOR INSERTING CARTRIDGE

After selecting application required, insert correct cartridge in paddle as illustrated on other instruction sheet.



• 2 different **cartridges** enable you to **preset all RH or LH Push or Pull Applications** • 2 **heavy duty compression springs** • 2 **reversible non-handed gear blocks**, which travel in **precision channels**, operate a **hardened steel gear wheel** which is integrated in an assembly which activates a deadlatch via a **cam plug** • 2 **mounting assemblies** which include **heavy 1/4” thick solid brass nuts** and **case hardened steel bolts**, eliminates any possibility of the push paddle becoming loose or rattling • 2 **pressure sensitive decals** - 1 Push & 1 Pull

HOUSING

Pressure cast zinc alloy. Hard coat finished. Houses the operating assemblies. Rigidly secured to the door stile with 2 mounting assemblies.

PADDLE

Extruded aluminum - satin anodized in US28 Aluminum or dark Duronodic color.

STANDARD PACKAGE

1. Paddle Housing with patented gear blocks and hardened gear disc.
2. 2 heavy duty compression springs.
3. Paddle arm.
4. 2 interchangeable patented cartridges & filler block.
5. Hardened steel spindle rod with set screw mounting.
6. Reversible non-handed.
7. 2 pressure sensitive decals, 1 - Push and 1 - Pull.
8. Complete mounting assembly includes 2 solid brass heavy-duty hexagon nuts, 2 case hardened set screws and 2 mounting screws.

**COMPLETELY
NON-HANDED**

“ONE UNIT DOES IT ALL!” PUSH OR PULL - RH or LH Operation
For your further convenience, although fully Reversible, available in preset RH & LH Push and Pull in US28 Aluminum and Dark Duronodic Color.

E-PP496 PUSH
E-PP497 PULL

PADDLE DEVICE

THIS PADDLE IS USEABLE 4 WAYS. IT'S UNIVERSAL
 PUSH OR PULL LEFT HAND OR RIGHT HAND

INSTRUCTIONS FOR CHANGING HAND

LH PULL	RH PULL	LH PUSH	RH PUSH
Outside of left hand reverse door or inside of right hand	Outside of right hand reverse door or inside of left hand	Outside of left hand door or inside of right hand reverse	Outside of right hand door or inside of left hand reverse
CAM PLUG POSITION			

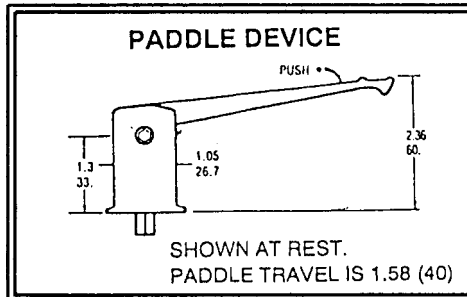
HOW TO ORDER

E-PP496 = PUSH D= DURONODIC
 E-PP497 = PULL A= SATIN ALUMINUM
 LH = LH
 RH = RH

EXAMPLE: E-PP496-LH-D

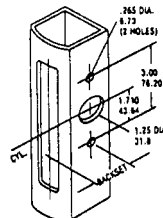
NET PRICE PER UNIT

QUANTITY DISCOUNT	20 UNITS - LESS 5% 50 UNITS - LESS 7½% 100 UNITS - LESS 10%	PACKED 25 PER CARTON

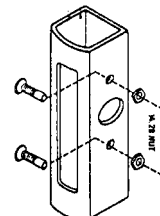


INSTALLATION

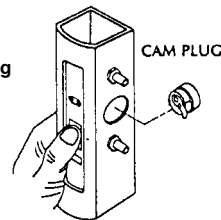
1. Stile Preparation



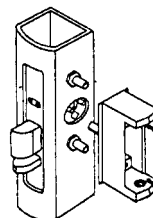
2. Install Mounting Studs



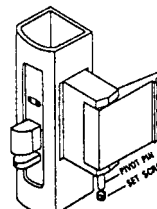
3. Install Latch & Cam Plug



4. Install Housing Assembly



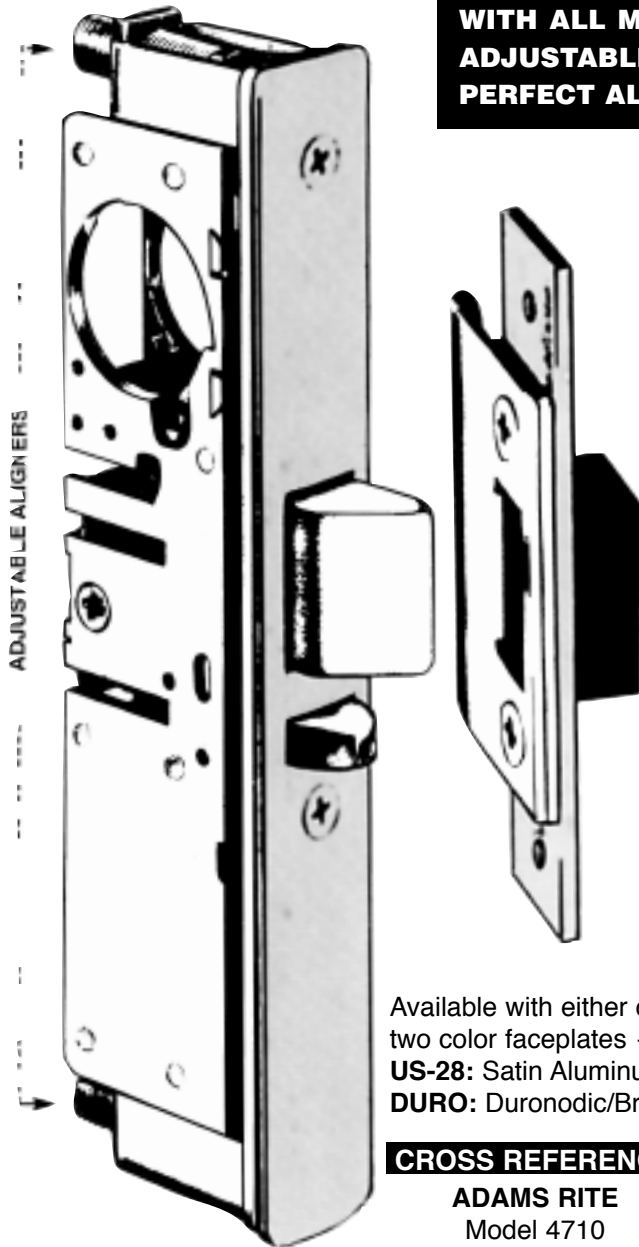
5. Install Paddle



NARROW STILE • DELUXE MODEL HEAVY DUTY DEADLATCH

FOR USE WITH MORTISE CYLINDERS • LEVER HANDLES • PUSH PADDLES

WITH ALL METAL LATCHBOLT AND DEADLATCH INCLUDING AN ADJUSTABLE MOUNTING ASSEMBLY THAT GUARANTEES YOU PERFECT ALIGNMENT IN ANY ALUMINUM DOOR PROFILE.



Available with either of two color faceplates —
US-28: Satin Aluminum
DURO: Duronodic/Brown

CROSS REFERENCE

ADAMS RITE
Model 4710
HALT by ASSA
8500 Series

Meets BHMA
type E8231

MODEL NO.

DX-DL4710 = 3¹/₃₂ BS
DX-DL4711 = 1¹/₈ BS
DX-DL4712 = 1¹/₂ BS

A MULTI-FUNCTIONAL LATCH MADE FOR USE WITH—
• All brands and models of trimline aluminum doors and
• Other narrow style commercial doors

This is the latch you need when converting from an unlatched to latched door and can include the use of an automatic electronic strike release.

FUNCTION: This lock is very versatile. It can be locked in a “hold-open” position. It is ideal for use during heavy traffic flow and will allow two way traffic such as in hospitals, banks, stores and other buildings which require a free, two-way entrance at times and an “exit only” at other times.

OPERATION: Turning key in cylinder, operating inside lever handle or push paddle will retract spring loaded latchbolt. To lock bolt in “hold-open” position see instructions on next page.

BACKSETS: 3¹/₃₂", 1¹/₈", 1¹/₂".

LATCHBOLT: 5/8" x 1" x 5/8" throw. All metal with hardened steel internal pins. Non-handed. Easily reversed without special tools.

AUXILIARY BOLT: All metal deadlatch bolt with ball bearing feature. Prevents jimmying open latch bolt with knife-like objects or tools.

CASE: 1" x 5¹³/₁₆" x various widths according to backset sizes.

STRIKE: Standard strike furnished is for flat jamb where door closes flush (or nearly flush).

BOLT (HOLD-OPEN) FEATURE: Latch-bolt can be fixed in “hold-open” position with the use of a mortise cylinder key, not with the use of any tools.

PACKED: 25 per carton, 1 per box.

Unless specified, will be supplied with flat face plate.

PRICES FOR FACEPLATES ONLY			MODEL NO.	FEATURES	PRICE	EXTRA CHARGE FOR:	PRICE
No. 5	FLAT		DX-DL4710	• DEAD LATCH • FACE PLATE (RADIUS) • COMPLETE STRIKE ASSEMBLY • DEDUCT FOR NO STRIKE \$ All sizes same price	Alum	5 pin/1" Mortise Key Cylinders	
No. 6	RADIUS		DX-DL4711			Stamped Brass Mortise Cylinder Rings (flanged or non-flanged)	
No. 7	RADIUS WITH WEATHER STRIP		DX-DL4712			Tapered, Cone-shaped Hardened Steel Cylinder Rings	
No. 8	LEFT BEVEL					1/2" Spring Type Adjustable Cylinder Rings	
No. 9	RIGHT BEVEL					Plated Steel Solid Brass	

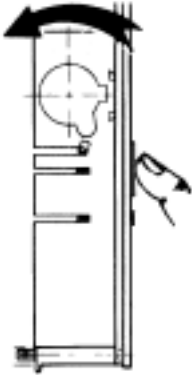
All No. 7 Faceplates are handed.

Quantity Discounts

10 LOCKS - LESS 5%
50 LOCKS - LESS 10% 100 LOCKS - LESS 15%

NARROW STILE DEADLATCH

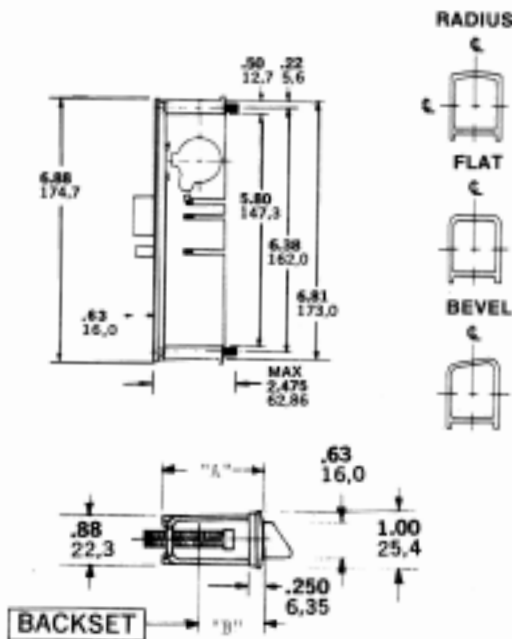
BOLT HOLDBACK



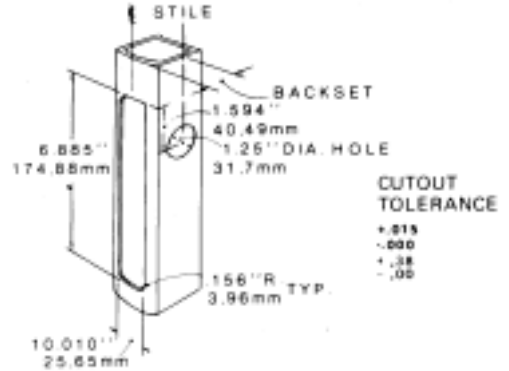
TO LOCK LATCH BOLT IN "HOLD-OPEN" POSITION DO THE FOLLOWING:

- PUSH BACK LATCH BOLT AND HOLD, THEN...
- TURN KEY COUNTER CLOCKWISE TO LOCK IN PLACE
- TURN KEY CLOCKWISE TO RELEASE BOLT FROM "HOLD-OPEN" POSITION

DIMENSIONS



INSTALLATION



STILE PREPARATION

PREPARATION THE SAME AS FOR OUR DEADBOLT OR HOOK LOCKS

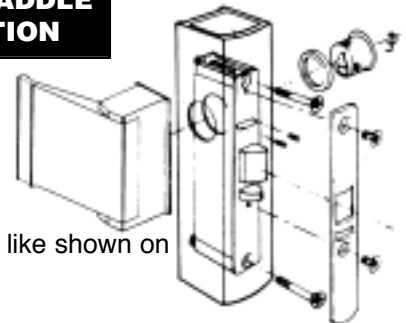
TO ORDER, SPECIFY:

1. CYLINDER BACKSET
2. FACE PLATE SHAPE & COLOR
3. IF YOU ORDER - 5 pin mortise cylinders specify: SIZE, COLOR, KA OR KD

LATCH, CYLINDER AND PUSH PADDLE INSTALLATION

Useable on inside of door with:

- A. Lever as shown
- B. 2nd key cylinder like shown on outside of door
- C. Push paddle



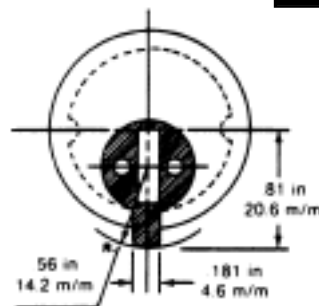
ARMORED FACEPLATE

• 1" X 6-7/8"
FINISH: Satin Aluminum, Duronodic/Brown
SPECIFY: Face Shape

No. 5 FLAT	
No. 6 RADIUS	
No. 7 RADIUS WITH WEATHER STRIP	
No. 8 LEFT BEVEL	
No. 9 RIGHT BEVEL	

All No. 7 Faceplates are handed.

CYLINDER CAM

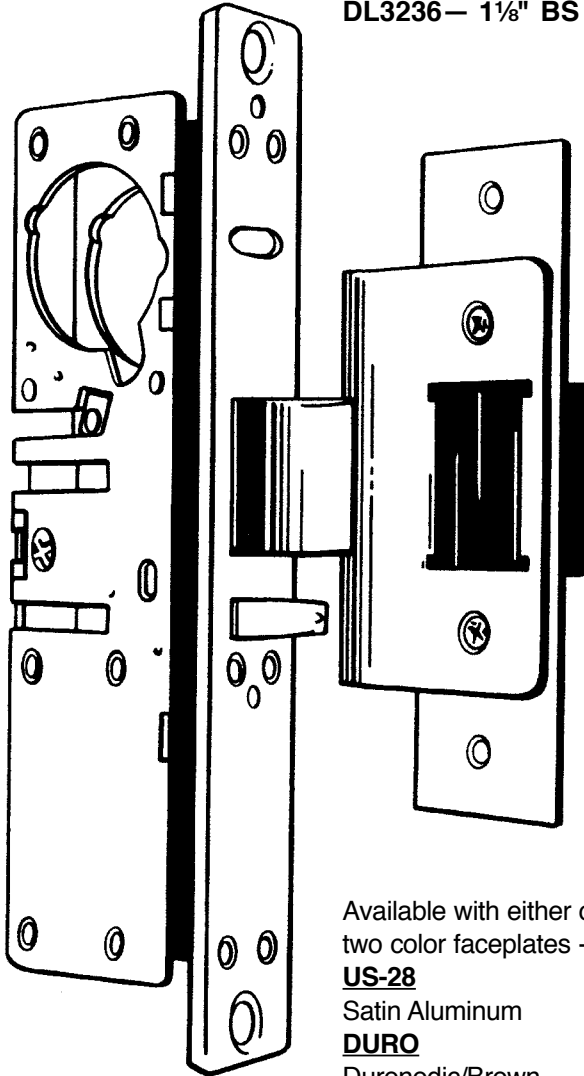


FOR HANDING INFORMATION, PLEASE REFER TO THE DOOR HANDING - U.S.A. STANDARDIZATION PROCEDURE CHART, SHOWN ON THE "D" INDEX PAGE.

NARROW STILE DEADLATCH

FOR USE WITH MORTISE CYLINDERS • LEVER HANDLES • PUSH PADDLES

Model No.
DL3231 — 3¹/₃₂" BS
DL3236 — 1¹/₈" BS



Available with either of two color faceplates -
US-28
 Satin Aluminum
DURO
 Durododic/Brown

A MULTI-FUNCTIONAL LATCH MADE FOR USE WITH—

- All brands and models of trimline aluminum doors and
- Other narrow style commercial doors

This is the latch you need when converting from an unlatched to latched door and can include the use of an automatic electronic strike release.

FUNCTION: This lock is very versatile. It can be locked in a "hold-open" position. It is ideal for use during heavy traffic flow and will allow two way traffic such as in hospitals, banks, stores and other buildings which require a free, two-way entrance at times and an "exit only" at other times.

This latch is interchangeable without any door style modifications - (Models DL3231-36 & HL3231-36)

OPERATION: Turning key in cylinder, operating inside lever handle or push paddle will retract spring loaded latchbolt. To lock bolt in "hold-open" position see instructions on next page.

BACKSETS: 3¹/₃₂" or 1¹/₈"

LATCHBOLT: 5/8" x 1" x 1/2" throw. Chrome plated zinc alloy with hardened steel internal pins. Non-handed. Can be easily reversed using simple Phillips head screwdriver.

AUXILIARY BOLT: All metal. Deadlocks latch bolt. Prevents jimmying open latch bolt with knife-like objects or tools.

CASE: 1" x 5¹³/₁₆" x (various widths)

STRIKE: Standard strike furnished is for flat jamb where door closes flush (or nearly flush)

BOLT (HOLD-OPEN) FEATURE: Latch-bolt can be fixed in "hold-open" position with the use of a mortise cylinder key, not with the use of any tools.

PACKED: 25 Per Carton, 1 Per Box

PRICES FOR FACEPLATES ONLY			MODEL NO.	FEATURES	PRICE	EXTRA CHARGE FOR:	PRICE
No. 5	FLAT		DS-L1	• DEAD LATCH • FACE PLATE (RADIUS) • COMPLETE STRIKE ASSEMBLY • DEDUCT FOR NO STRIKE \$1.00 Either size or color STRIKE ASSEMBLY COMPLETE	Alum	5 pin/1" Mortise Key Cylinders	
No. 6	RADIUS					Stamped Brass Mortise Cylinder Rings (flanged or non-flanged)	
No. 7	RADIUS WITH WEATHER STRIP				Duro	Tapered, Cone-shaped Hardened Steel Cylinder Rings	
No. 8	LEFT BEVEL				1/2" Spring Type Adjustable Cylinder Rings		
No. 9	RIGHT BEVEL				Plated Steel Solid Brass		

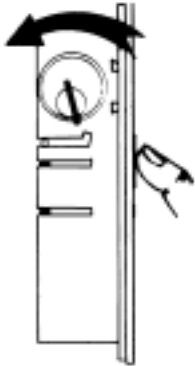
All No. 7 Faceplates are handed.

Quantity Discounts

10 LOCKS - LESS 5%
 50 LOCKS - LESS 10% 100 LOCKS - LESS 15%

NARROW STILE DEADLATCH

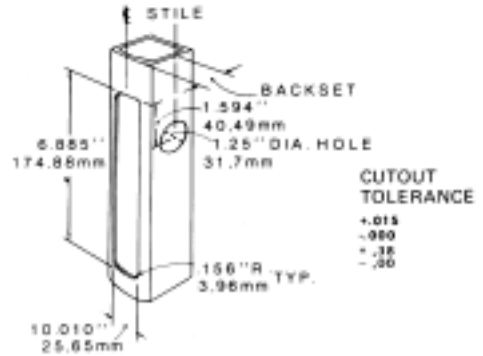
BOLT HOLDBACK



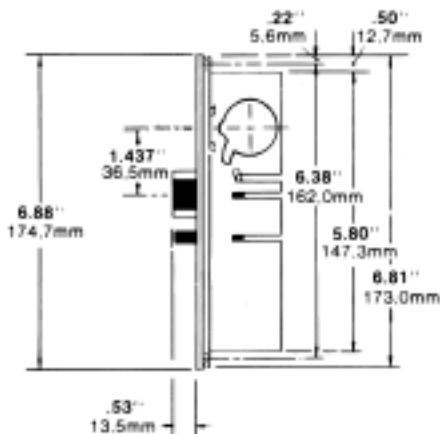
TO LOCK LATCH BOLT
IN "HOLD-OPEN" POSITION
DO THE FOLLOWING:

- PUSH BACK LATCH BOLT AND HOLD, THEN...
- TURN KEY COUNTER CLOCKWISE TO LOCK IN PLACE
- TURN KEY CLOCKWISE TO RELEASE BOLT FROM "HOLD-OPEN" POSITION

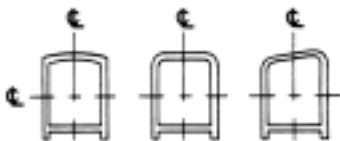
INSTALLATION



DIMENSIONS



RADIUS FLAT BEVEL



ARMORED FACEPLATE

• 1" X 6-7/8"
FINISH: Satin Aluminum, Duronodic/Brown
SPECIFY: Face Shape

No. 5 FLAT	
No. 6 RADIUS	
No. 7 RADIUS WITH WEATHER STRIP	
No. 8 LEFT BEVEL	
No. 9 RIGHT BEVEL	

All No. 7 Faceplates are handed.

FOR HANDING INFORMATION, PLEASE REFER TO THE DOOR HANDING - U.S.A. STANDARDIZATION PROCEDURE CHART, SHOWN ON THE "D" INDEX PAGE.

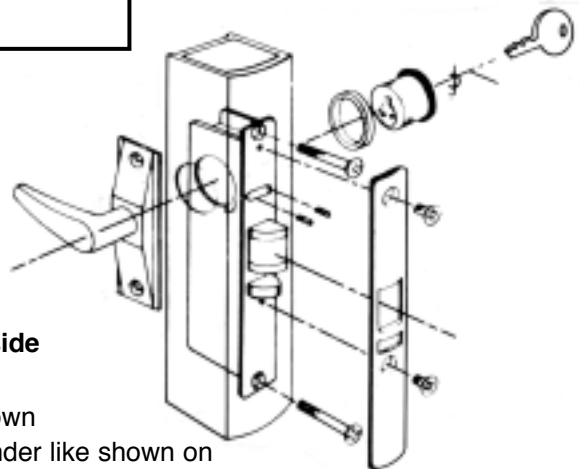
STILE PREPARATION

TO ORDER, SPECIFY:

1. CYLINDER BACKSET
2. FACE PLATE SHAPE & COLOR
3. IF YOU ORDER - 5 pin mortise cylinders specify: SIZE, COLOR, KA OR KD

PREPARATION THE SAME AS FOR OUR DEADBOLT OR HOOK LOCKS

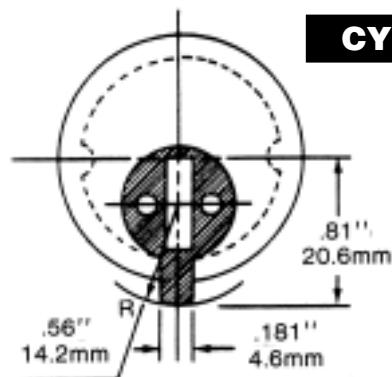
LATCH, CYLINDER AND HANDLE INSTALLATION



Useable on inside of door with:

- A. Lever as shown
- B. 2nd key cylinder like shown on outside of door
- C. Push paddle (not shown)

CYLINDER CAM



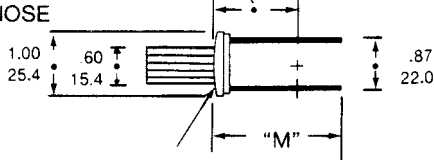
NPC

NARROW STILE DEADBOLT

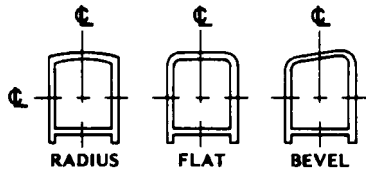
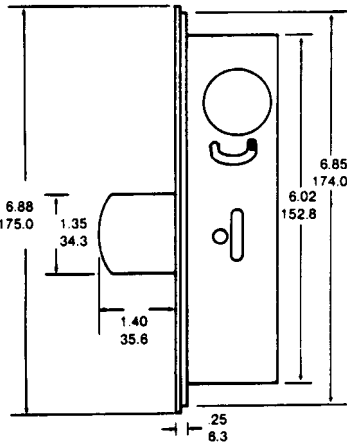
DIMENSIONS

INCHES
MILLIMETERS

BACKSET MUST BE MEASURED AT CENTERLINE OF STILE NOSE



RADIUS FACEPLATE

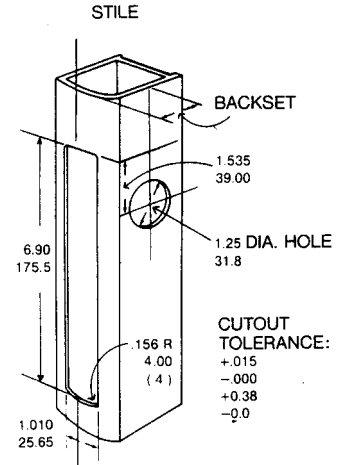


BACKSET	"M"
$\frac{31}{32}$ " NO. 31	1.63 41.4
$1\frac{1}{8}$ " NO. 36	1.78 45.2

TO ORDER, SPECIFY:

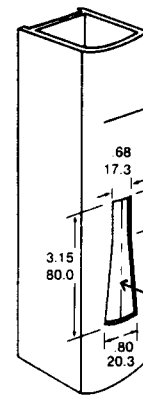
1. Normal or Hook bolt type
2. Cylinder backset
3. Face shape and color
4. Need cylinder or not, if yes:
5. Cylinder size, color and keyway, KD or KA

INSTALLATION

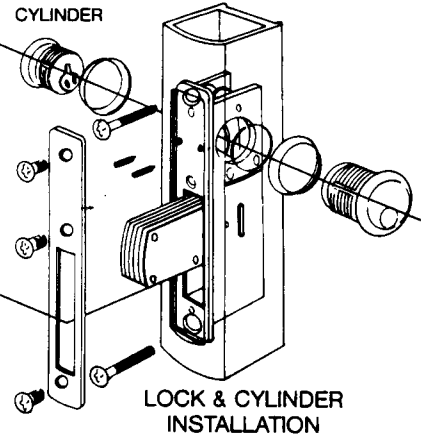


STILE PREPARATION

LOCK AND STILE



STRIKE CUTOUT



LOCK & CYLINDER
INSTALLATION

PRICES FOR FACEPLATES ONLY

No. 5	FLAT		
No. 6	RADIUS		
No. 7	RADIUS WITH WEATHER STRIP		
No. 8	LEFT BEVEL		
No. 9	RIGHT BEVEL		

All No. 7 Faceplates are handed.

FOR HANDING INFORMATION, PLEASE REFER TO THE DOOR HANDING - U.S.A. STANDARDIZATION PROCEDURE CHART, SHOWN ON THE "D" INDEX PAGE.

SINGLE DEADBOLT

Individually boxed with machine screws, faceplate and mounting instructions.

40 boxes per carton.

Gross weight 60 lbs.

DEADBOLT WITH MORTISE CYLINDERS AND/OR THUMBTURN

Individually boxed with mortise cylinder and/or thumbturn, normal trim rings, faceplate, machine screws, and mounting instructions.

25 boxes per carton.

Gross weight 54 lbs.

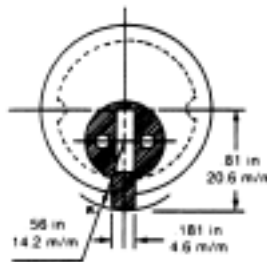
CYLINDER CAM

CAM

TOLERANCE:

+-.005

+-.013



These Series Locks are operable by any standard $1\frac{5}{8}$ " diameter mortise cylinder with special M.S. cam dimensioned as above.

NARROW STILE HOOK-TYPE DEADLOCK

FOR USE WITH MORTISE KEY OR THUMB TURN CYLINDERS

Model No.

HL3231— 3¹/₃₂" BS

HL3236— 1¹/₈" BS

Item #

LG-HL-BK

**HEAVY
GAUGE
BLACK
FINISH**



**ANGLE GUARD
PLATE FOR
HOOKLOCK**



THE ULTIMATE IN PROTECTION for use with - **Ornamental Iron Doors** and any type of **COMMERCIAL, INDUSTRIAL** and **INSTITUTIONAL Building Sliding Glass Doors, Narrow Style Patio Doors** of **WOOD** or **METAL**....especially when used with double door units, and other types of **HINGED** or **SLIDING DOORS** - where a **Heavy Duty, Maximum Security, Narrow Hook Deadbolt** is required.

This locking mechanism will withstand any forced entry attempts to pry the door in any direction...up, down or sideways.

- **Operation** — A 360° turn of the key (or thumb turn) throws or retract the counterbalanced bolt. The key can be removed only when the bolt is in a positive locked or unlocked position. The clock accepts any standard 1⁵/₃₂" mortise cylinder from either or both sides. The cylinder must have an M.S. cam.
- **Backsets** — 3¹/₃₂" or 1¹/₈"
- **Bolt Size** — 5/8" x 1³/₈" with 1³/₁₆" throw. 5 Ply Heavily Zinc Plated laminated steel with center ply-hardened. **Defeats any attempt at hacksawing!** Hook shape will resist attempts to spread door from jamb.
- **Case Construction and Size** — Steel with Heavy corrosion Resistant Plating. 1" x 5¹³/₁₆" x 1.62" depth in Backset Model.
- **Face Plates** — Flat is standard supplied with unit. Radius, LH or RH Beveled and Radius with weatherstrip also available upon request.
- **Face Plate Colors** — US28 Anodized Aluminum or Duronodic color.
- **Cylinders and Adapter Rings:**
 - 3/4" cylinders available in polished brass finish only.
 - 1" cylinders available in polished brass, alum, and duro.
 - Extruded solid brass rings available on polished brass finish only.
 - Spring loaded rings available in polished brass and chrome finish.

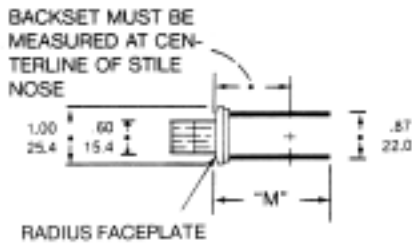
PRICE WITHOUT CYLINDERS	MODEL NO.	FEATURES	PRICE	EXTRA CHARGE FOR:	PRICE
EITHER BACKSET OR COLOR		<ul style="list-style-type: none"> • HOOK LOCK • FACE PLATE (RADIUS) • COMPLETE STRIKE ASSEMBLY 	Alum	5 pin/1" Mortise Key Cylinders	
				Stamped Brass Mortise Cylinder Rings (flanged or non-flanged)	
STANDARD PKG INDIVIDUALLY BOXED WITH FLAT FACED PLATES		Either size or color	Duro	Tapered, Cone-shaped Hardened Steel Cylinder Rings	
				1/2" Spring Type Adjustable Cylinder Rings	Plated Steel Solid Brass
PACKED: 25 Per Master Carton					

Quantity Discounts **10 LOCKS - LESS 5%**
40 LOCKS - LESS 10% **80 LOCKS - LESS 15%**

NARROW STILE HOOK-TYPE DEADLOCK

DIMENSIONS

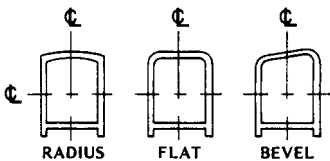
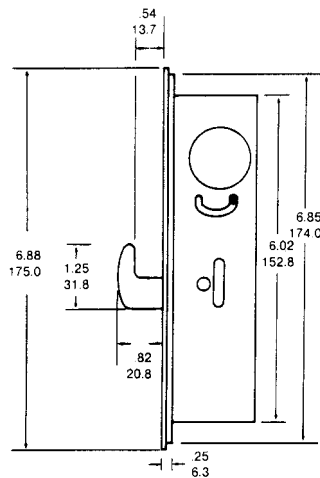
INCHES
MILLIMETERS



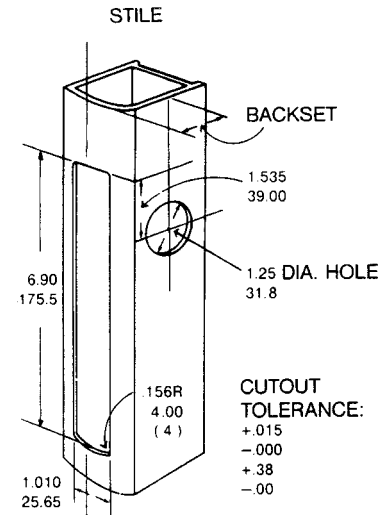
BACKSET	"M"
3 ¹ / ₃₂ "	1.63
NO. 31	41.4
1 ¹ / ₈ "	1.78
NO. 36	45.2

TO ORDER, SPECIFY:

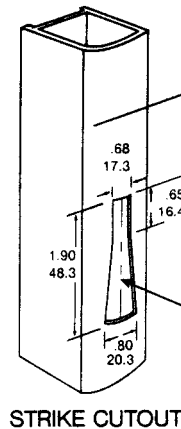
1. Normal or Hook bolt Type
2. Cylinder backset
3. Face shape and color
4. Need cylinder or not, if yes:
5. Cylinder size, color and keyway
KD or KA



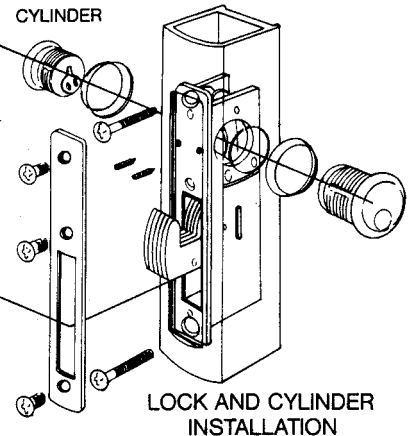
INSTALLATION



LOCK & STILE



CYLINDER



PRICES FOR FACEPLATES ONLY

No. 5	FLAT		
No. 6	RADIUS		
No. 7	RADIUS WITH WEATHER STRIP		
No. 8	LEFT BEVEL		
No. 9	RIGHT BEVEL		

All No. 7 Faceplates are handed.

FOR HANDING INFORMATION, PLEASE REFER TO THE DOOR HANDING - U.S.A. STANDARDIZATION PROCEDURE CHART, SHOWN ON THE "D" INDEX PAGE.

CYLINDER CAM

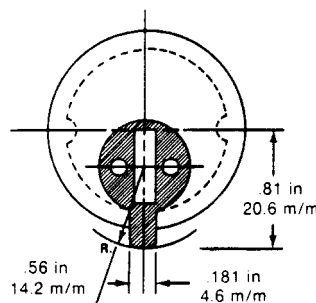
CAM

TOLERANCE:

+ .005

+ - 0.13

These Series Locks are operable by any standard 1³/₃₂" diameter mortise cylinder with special M.S. cam dimensioned as above.



SINGLE DEADLOCK

Individually boxed with machine screws, faceplate and mounting instructions.

40 boxes per carton.

Gross weight 60 lbs.

DEADLOCK WITH MORTISE CYLINDERS AND/OR THUMBTURN

Individually boxed with mortise cylinder and/or thumbturn, normal trim rings, faceplate, machine screws, and mounting instructions.

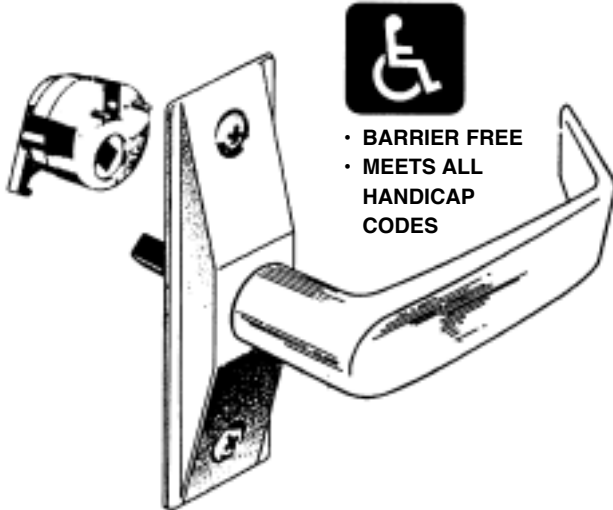
25 boxes per carton.

Gross weight 54 lbs.

NARROW STILE LEVER HANDLES

(FOR USE WITH DEADLATCH)

Model
LH4569



- BARRIER FREE
- MEETS ALL HANDICAP CODES

Designed to Comply with (ADA) Americans with Disabilities Act.

- With our dead latch models DL3231-3236 and any other brand or similar make of narrow stile dead latch
- As an excellent lever handle in either new or replacement work
- Clean, modern lines match all narrow stile door design.

FUNCTION:

This lever comes complete with an operating cam plug which will activate narrow stile dead latches. Cam plug is secured to lever unit assembly by two hardened steel pins. Cam plug locks into dead latch like mortise cylinder by use of set screw in dead latch.

HANDING: (Non-Handed)

Available either preset right or left hand, but can be rehanded very easily at shop or in the field.

OPERATION:

Turning lever downward will activate dead latch. Heavy duty spring will return lever automatically to fully horizontal position.

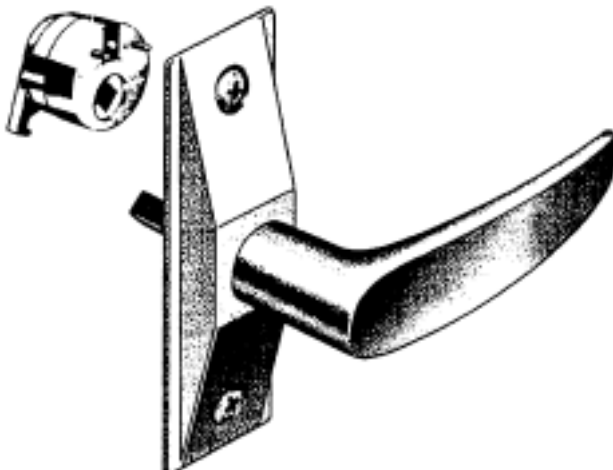
CONSTRUCTION:

Lever is of an aluminum-alloy cast construction. Lever spindle is wrought steel. Cam plug is of a cast construction with steel operating cam. Escutcheon is 1 3/8" x 4", with a 1/4" square hardened heat treated spindle and interlocks with cam plug.

Model
LH4560

Packed individually with cam plug preset handed RH or LH as specified. Complete with mounting screws, templates and installation and adjusting instructions.

PACKED:
25 PER CARTON, 1 PER BOX



Heavy Duty Spring Mechanism which will prevent sagging of Lever Handle

FINISH:

ALU - Satin Aluminum

DURO - Medium Duronodic

Has durable finish which will not scratch, chip or peel or wear through very easily. Excellent match for clear or duronodic finished aluminum doors.

PRICE COMPLETE

PRICE- CAM PLUG ONLY

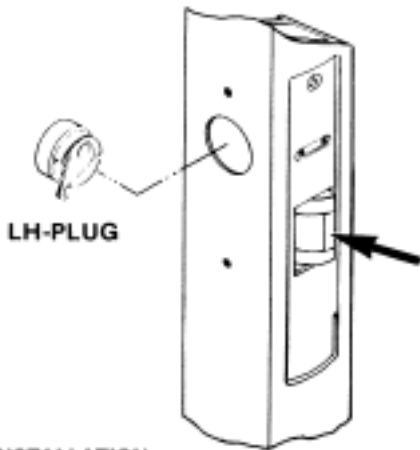
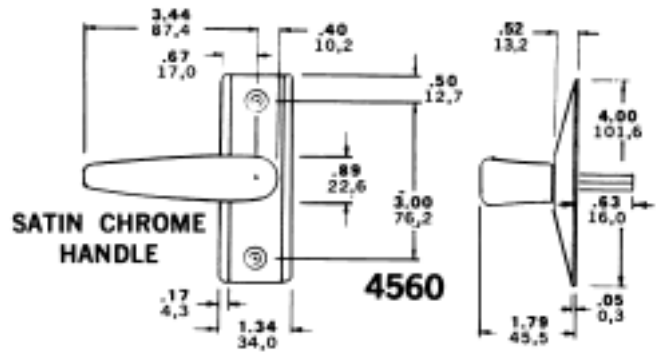
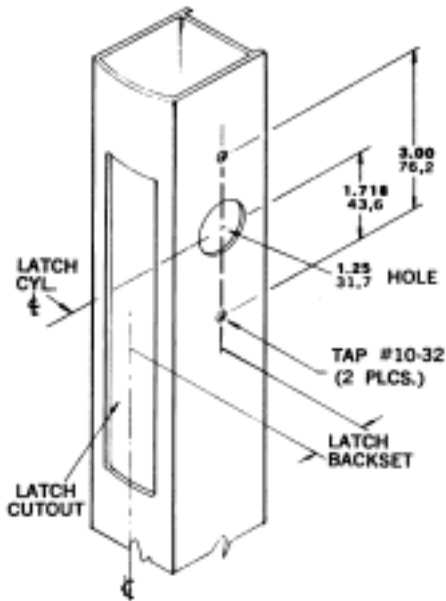
Quantity Discounts

10 UNITS - LESS 5%
50 UNITS - LESS 10% 100 UNITS - LESS 15%

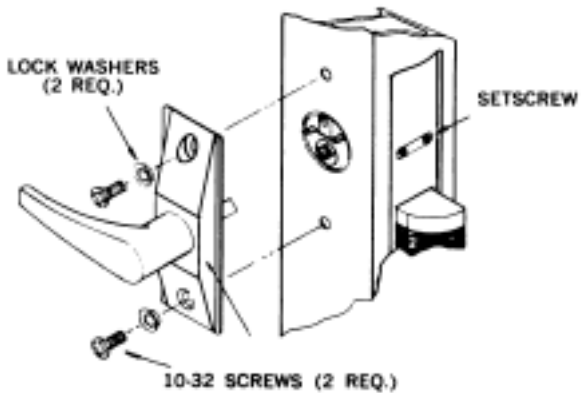
NARROW STILE LEVER HANDLES

(FOR USE WITH DEADLATCH)

INSTALLATION



INSTALLATION



REVERSIBLE CAM PLUG

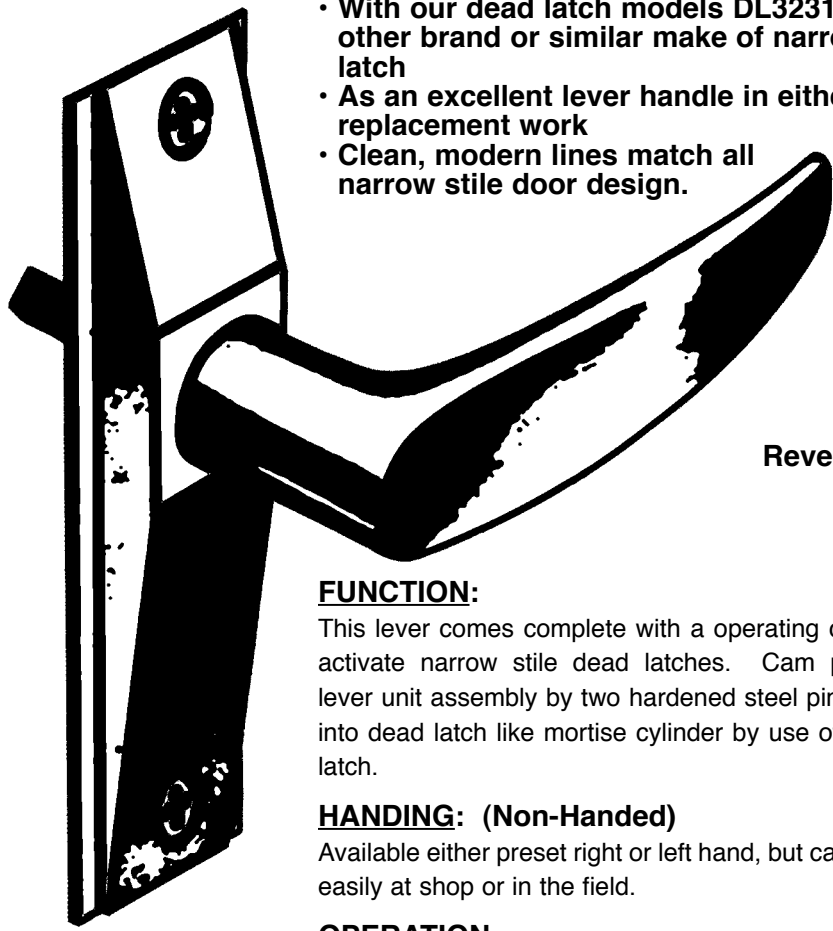
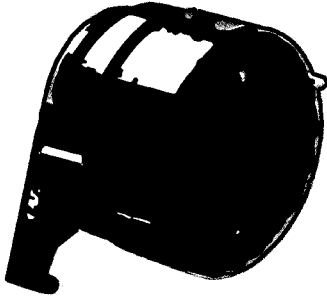


Included with Lever Handle. Required to operate our dead latch models - DL3231-3236 and any other brand of similar make of narrow stile dead latch.

PRICE - CAM PLUG ONLY

NARROW STILE LEVER HANDLES

(FOR USE WITH DEADLATCH)



- With our dead latch models DL3231-3236 and any other brand or similar make of narrow stile dead latch
- As an excellent lever handle in either new or replacement work
- Clean, modern lines match all narrow stile door design.

**Non-Handed
Reversible LH or RH**

Model No.
LH4160

50 Per Master Carton

FINISHES
ALU — Satin Aluminum
DURO — Medium Duronodic

FUNCTION:

This lever comes complete with a operating cam plug which will activate narrow stile dead latches. Cam plug is secured to lever unit assembly by two hardened steel pins. Cam plug locks into dead latch like mortise cylinder by use of set screw in dead latch.

HANDING: (Non-Handed)

Available either preset right or left hand, but can be rehanded very easily at shop or in the field.

OPERATION:

Turning lever downward will activate dead latch. Heavy duty spring will return lever automatically to fully horizontal position.

CONSTRUCTION:

Lever is of an aluminum-alloy cast construction. Lever spindle is wrought steel.

Cam Plug is of a cast construction with steel operating cam. **Escutcheon** is 1 3/8" x 4", with a 1/4" square hardened, heat treated spindle and interlocks with cam plug.

Heavy Duty Spring Mechanism which will prevent sagging of Lever Handle.

PACKED
PACKED INDIVIDUALLY WITH CAM PLUG PRESET HANDED RH OR LH AS SPECIFIED, COMPLETE WITH MOUNTING SCREWS, TEMPLATES AND INSTALLATION AND ADJUSTING INSTRUCTIONS.
Packed: 25 Per Carton, 1 Per Box
PRICE COMPLETE
PRICE- CAM PLUG ONLY

FINISH:

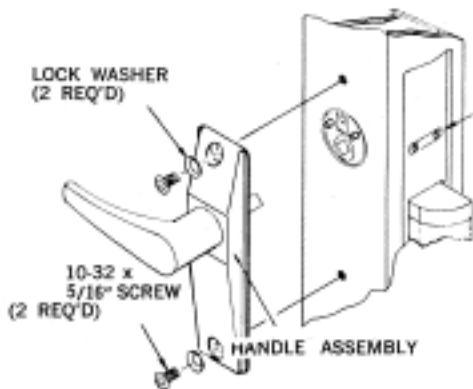
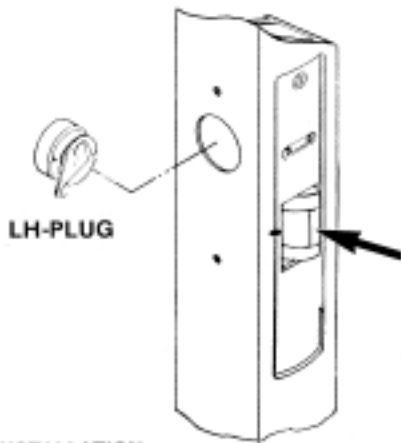
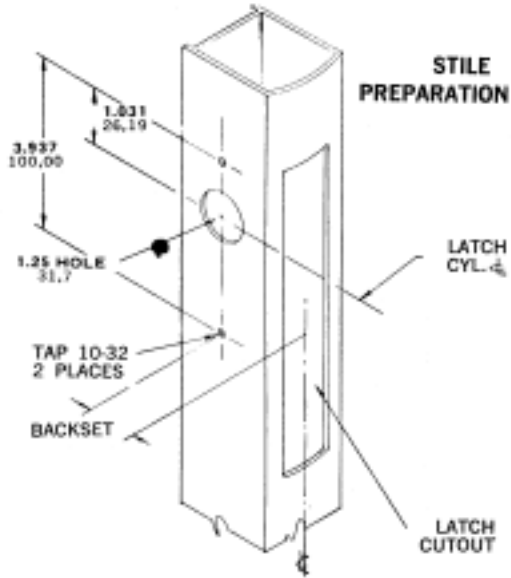
Either satin aluminum or duronodic color. Has durable finish which will not scratch, chip or peel or wear thru very easily. Excellent match for clear or duronodic finished aluminum doors.

Quantity Discounts	10 UNITS - LESS 5% 50 UNITS - LESS 10% 100 UNITS - LESS 15%
---------------------------	--

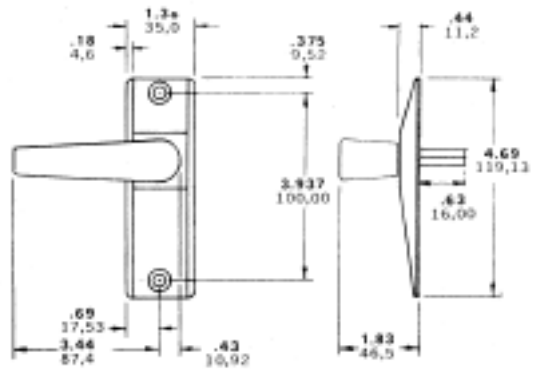
NARROW STILE LEVER HANDLES

(FOR USE WITH DEADLATCH)

INSTALLATION



DIMENSIONS



REVERSIBLE CAM PLUG



Included with Lever Handle. Required to operate our dead latch models - DL3231-3236 and any other brand of similar make of narrow stile dead latch.

PRICE - CAM PLUG ONLY

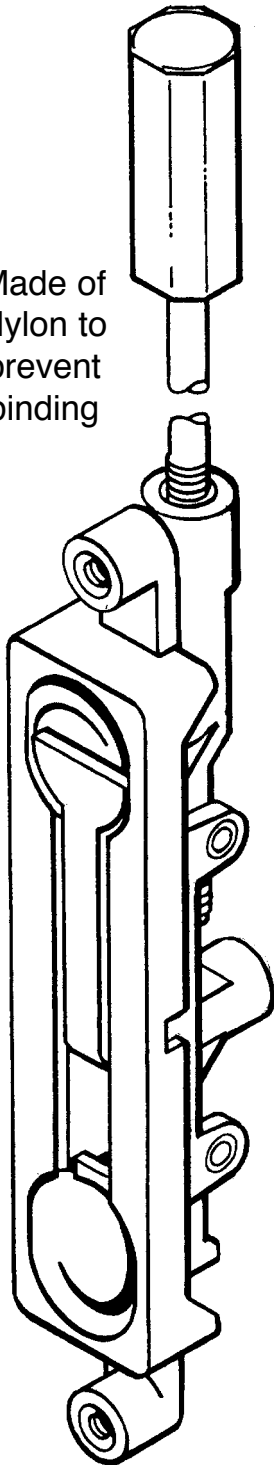
AUTOMATIC SPRING LEVER ACTION MORTISE FLUSH BOLTS

Made for **EASY INSTALLATION** on any brand
of **NARROW STILE ALUMINUM DOOR**

TA195 ~ 1/8" OFFSET • TA196 ~ 1/4" OFFSET

**Supplied Complete with 12" Rod, Square
Nylon Bolt, Nylon Keeper & Fasteners**
Both Models in Either Finish

Made of
Nylon to
prevent
binding

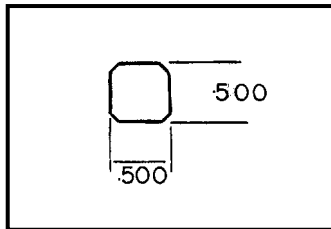


TA195

ALUMINUM (specify ALU)
DURONODIC (specify DURO)
WHITE (specify WT)

TA196

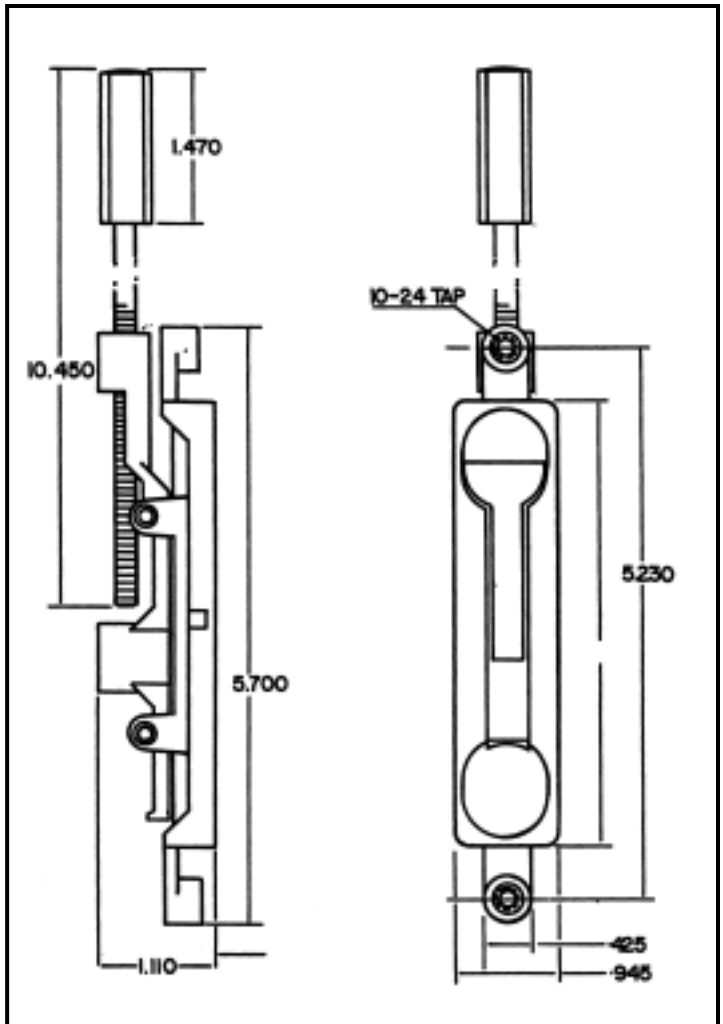
ALUMINUM (specify ALU)
DURONODIC (specify DURO)



FACE PLATE

1 5/16" x 4 1/2" with 5/32" radius round corners.

Distance between mounting holes
5 7/32"



Packed: 100 Per Master Carton

Quantity Discounts

50 UNITS - 5% DISCOUNT
100 UNITS - 10% DISCOUNT 250 UNITS - 20% DISCOUNT

ALUMINUM ENTRANCE DOORS 3/4" OFFSET PIVOT SETS

VISTAWALL & ARCH ALUMINUM

These pivots are engineered and designed for durability, style and versatility. All cases are aluminum. Pivots operate on full race ball bearings. Complete with 1/8" vertical adjustment. No possibility of door sag since entire weight of door rests on floor mounted pivot. Easy to install. Durable, all weather-proof acrylic coating protects pivot from deterioration. Top portion has spring loaded hardened pin for easy assembly. When door is in locked position, these pivots are completely burglar-proof. Easily installed or removed from door in only a few seconds.

MODEL OP-30

For Doors Flush w/Face of Frame



RIGHT OR LEFT HAND
(Right Hand shown)

For Doors Recessed 1/8" Specify
MODEL OP-31

- Handed (specify right or left)
- All weather-proof
- 1/8" vertical adjustment
- Completely theft-proof, yet easily removable and replaceable in unlocked position
- Smooth, precision-made select ball-bearing operation
- Supplied complete with set of screws, anchors and mounting materials
- Available in Aluminum and Duronodic

NET PRICE PER SET

1-25 SETS
26-50 SETS
5-100 SETS

(over 100 sets - apply for price)

Packed 50 sets
per master carton

CROSS REFERENCE

OP-30 = JACKSON J30
OP-31 = JACKSON J31

MODEL OP-27

For Doors Flush w/Face of Frame



NON-HANDED

For Doors Recessed 1/8" Specify
MODEL OP-28

- Non-handed
- All weather-proof
- 1/8" vertical adjustment
- Completely theft-proof, yet easily removable and replaceable in unlocked position
- Smooth, precision-made select ball-bearing operation
- Supplied complete with set of screws, anchors and mounting materials
- Available in Aluminum and Duronodic

NET PRICE PER SET

1-25 SETS
26-50 SETS
5-100 SETS

(over 100 sets - apply for price)

Packed 50 sets
per master carton

CROSS REFERENCE

OP-27 = JACKSON J27
OP-28 = JACKSON J28

ALUMINUM ENTRANCE DOORS 3/4" OFFSET PIVOT SETS

US ALUMINUM, ARMALITE, PITTCO, EFCO & PPG

These pivots are engineered and designed for durability, style and versatility. All cases are aluminum. Pivots operate on full race ball bearings. Complete with 1/8" vertical adjustment. No possibility of door sag since entire weight of door rests on floor mounted pivot. Easy to install. Durable, all weather-proof acrylic coating protects pivot from deterioration. Top portion has spring loaded hardened pin for easy assembly. When door is in locked position, these pivots are completely burglar-proof. Easily installed or removed from door in only a few seconds.

MODEL OP-25

US ALUMINUM

For Doors Flush w/Face of Frame



RIGHT
OR LEFT HAND
(Right Hand shown)

- Handed (specify right or left)
- All weather-proof
- 1/8" vertical adjustment
- Completely theft-proof, yet easily removable and replaceable in unlocked position
- Smooth, precision-made select ball-bearing operation
- Supplied complete with set of screws, anchors and mounting materials
- Available in Aluminum and Duronodic

NET PRICE PER SET

1-25 SETS
26-50 SETS
5-100 SETS

(over 100 sets - apply for price)

Packed 50 sets
per master carton

CROSS REFERENCE

OP-25 = JACKSON J25
OP-26 = JACKSON J26

For Doors Recessed 1/8" Specify
MODEL OP-26

OP-40

ARMALITE



OP-41

PITTCO EFCO & PPG



RIGHT
OR LEFT HAND
(Right Hand shown)

- Handed (specify right or left)
- All weather-proof
- 1/8" vertical adjustment
- Completely theft-proof, yet easily removable and replaceable in unlocked position
- Smooth, precision-made select ball-bearing operation
- Supplied complete with set of screws, anchors and mounting materials
- Available in Aluminum and Duronodic

NET PRICE PER SET

1-25 SETS
26-50 SETS
5-100 SETS

(over 100 sets - apply for price)

Packed 50 sets
per master carton

CROSS REFERENCE

OP-40 = JACKSON J40
OP-41 = JACKSON J41

For Doors Recessed 1/8"

ALUMINUM ENTRANCE DOORS 3/4" OFFSET PIVOT SETS

KAWNEER & ALDORRA

These pivots are engineered and designed for durability, style and versatility. All cases are aluminum. Pivots operate on full race ball bearings. Complete with 1/8" vertical adjustment. No possibility of door sag since entire weight of door rests on floor mounted pivot. Easy to install. Durable, all weather-proof acrylic coating protects pivot from deterioration. Top portion has spring loaded hardened pin for easy assembly. When door is in locked position, these pivots are completely burglar-proof. Easily installed or removed from door in only a few seconds.

MODEL OP-KTP

KAWNEER TOP SET

Top Door & Frame Portion



- Bottom Set Handed (specify right or left)
- All weather-proof
- 1/8" vertical adjustment
- Completely theft-proof, yet easily removable and replaceable in unlocked position
- Smooth, precision-made select ball-bearing operation
- Supplied complete with set of screws, anchors and mounting materials
- Available in Aluminum and Duronodic

MODEL OP-KBP

KAWNEER BOTTOM SET

Bottom Door & Frame Portion



RIGHT OR LEFT HAND
(Right Hand shown)

NET PRICE PER SET

OP-KTP TOP SET

1-25 SETS
26-50 SETS
5-100 SETS

OP-KBP BOTTOM SET

1-25 SETS
26-50 SETS
5-100 SETS

(over 100 sets - apply for price)

Packed 50 sets
per master carton

CROSS REFERENCE

OP-KTP = KAWNEER TOP
OP-KTP = KAWNEER BOTTOM

MODEL OP-50

ALDORA



RIGHT
OR LEFT HAND
(Right Hand shown)

For Doors Recessed 1/8"

- Handed (specify right or left)
- All weather-proof
- 1/8" vertical adjustment
- Completely theft-proof, yet easily removable and replaceable in unlocked position
- Smooth, precision-made select ball-bearing operation
- Supplied complete with set of screws, anchors and mounting materials
- Available in Aluminum and Duronodic

NET PRICE PER SET

1-25 SETS
26-50 SETS
5-100 SETS

(over 100 sets - apply for price)

Packed 50 sets
per master carton

CROSS REFERENCE

OP-50 = ALDORA

NARROW STILE LATCH STRIKES

(FOR USE WITH DEADLATCH)

FUNCTION:

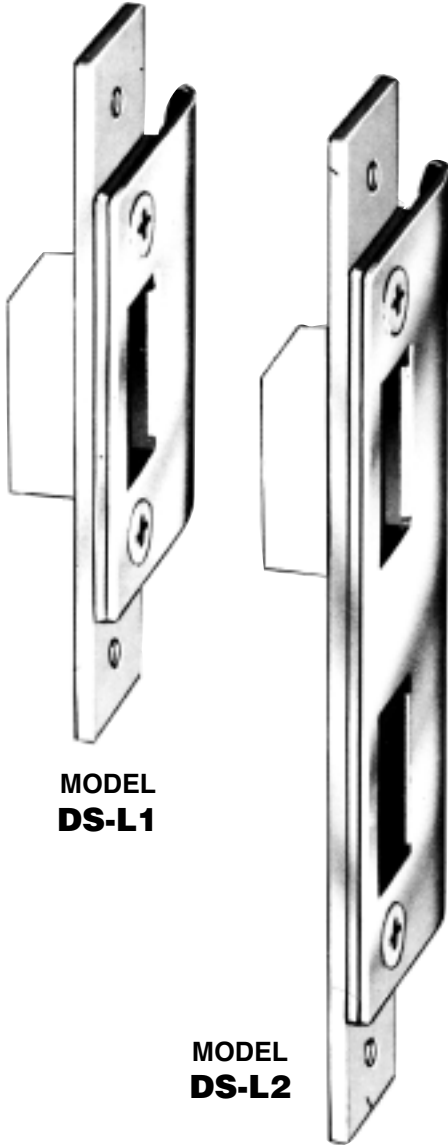
These strike assemblies have been designed for use with narrow stile, aluminum door dead latches. When used with aluminum jambs use mounting back-up plate. On wood jambs, do not use mounting plate.

HANDING:

These strikes are not handed - useable for RH or LH installation.

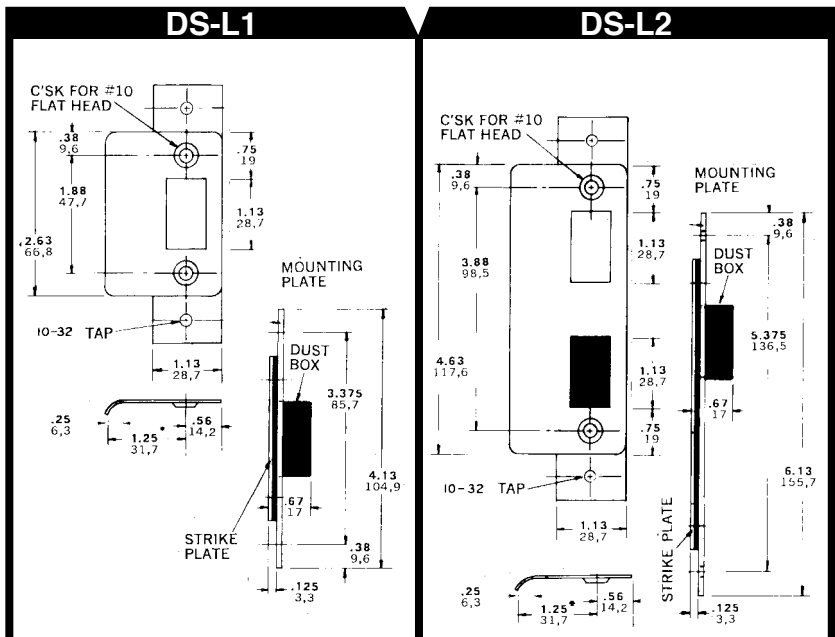
MATERIALS & FINISH:

Strike is satin finished stainless steel. Back-up plate is plated wrought steel.



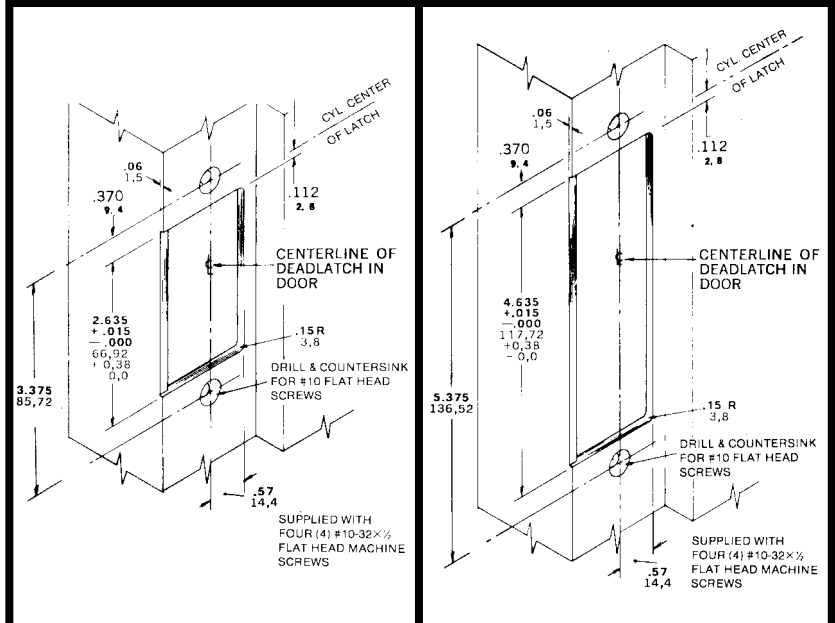
MODEL
DS-L1

MODEL
DS-L2



JAMB PREPARATION
& TEMPLATING - DS-L1

JAMB PREPARATION
& TEMPLATING - DS-L2



This standard strike is supplied with our dead latch models DL3231 - 3236 or any other brands of similar narrow style dead latches. Comes complete with black plastic dust box and steel mounting plate.

**Packed:
250 Per
Master
Carton**

NET PRICE EACH

DS-L1
DS-L2

SUPER-XH5 HINGE KIT

The Best Universal Replacement Hinge Kit for Trimline Aluminum Storefront Doors and ideal for heavy, frequent used commercial doors. & EASY TO INSTALL!



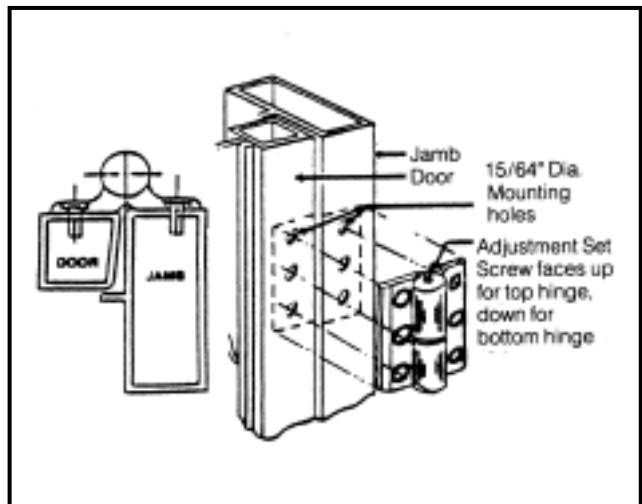
MODEL NO.
XH5
5"

EACH KIT
CONTAINS
2 HINGES
2-1/8" THICK
SHIM PLATES
4 COVER STRIPS
12 ONE WAY SCREWS
& COMPLETE
INSTALLATION
INSTRUCTIONS

AVAILABLE IN TWO FINISHES:	US28 (ALUMINUM)	OR	DURONODIC	Packed 32 per Carton

- **TOP QUALITY CONSTRUCTION**
Hinge is completely machined to the close tolerances needed for heavy, continuously used commercial doors.
- **SIMPLE & QUICK TO INSTALL**
Can be installed in 20 minutes without any hassle.
- **STREAMLINE MODERN APPEARANCE**
Enhances any trimline aluminum entrance. Screws are not exposed as a result of pressure sensitive aluminum cover strips.
- **HIGH SECURITY**
Non-exposed hinge pins sealed inside housing cannot be reached, removed or tampered with. Mounted with all one-way fasteners.
- **CORRECTS MOST COMMON DOOR PROBLEMS**
Solves common door problems such as sagging, dragging and warping. Also helps prevent future problems.

- **UNIVERSAL FIT**
Replaces all storefront hinges without modification on both flush and 1/8" offset doors.
- **NOT AFFECTED BY TEMPERATURE**
No matter how extreme (hot or cold).
- **INSTANT ADJUSTMENTS TO FINE TOLERANCES**
Door can be raised or lowered to fine tolerances with just the use of a simple allen set screw feature on a vertical adjustment screw.
- **SMOOTH BEARING ACTION - SELF LUBRICATING PIN**
Bearing loaded pin rotates. Machine quality anti-friction roller and thrust bearings sealed in oil.
- **No Wearing Surfaces**
Since door weight is supported by case hardened pin and enclosed, anti-friction bearings.



NET PRICE

Quantity Discounts

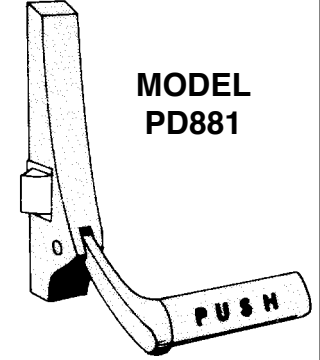
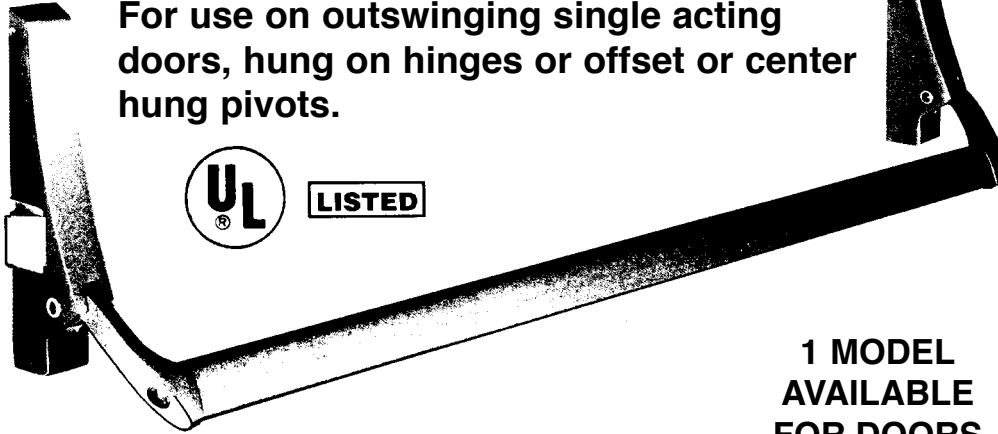
5 SETS - LESS 5% DISCOUNT
10 SETS - LESS 7½% DISCOUNT
25 SETS - LESS 10% DISCOUNT

SERIES ED-800

NARROW STILE EXIT DEVICES

Rim • Vertical Rod Rim • Vertical Rod Concealed • Push Bar Type

Suitable for narrow, medium or wide stile aluminum doors or 1³/₄" hollow metal. For use on outswinging single acting doors, hung on hinges or offset or center hung pivots.



MODEL
PD881

1 MODEL
AVAILABLE
FOR DOORS
UP TO 42"
WIDE

Push Paddle
EXIT DEVICE

FINISHES

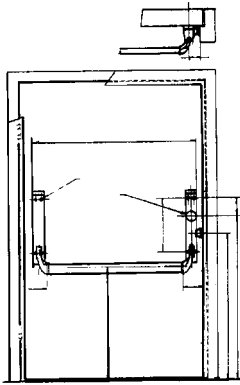
ALU = Satin Aluminum
DURO = Satin Duronodic

CROSS REFERENCE

JACKSON No. 1095

DOROMATIC No. 2090

Regular Rim Application

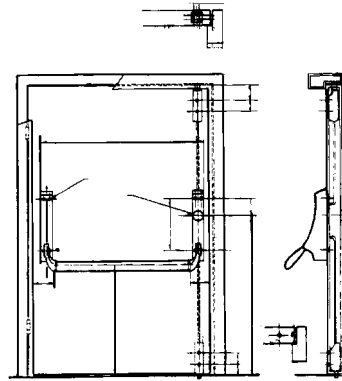


ED801 RIM TYPE

Features

- Concealed fastenings
- Pullman type steel latch
- 1³/₁₆" wide x 7¹/₂" long x 2¹/₂" projection permit use on narrow stile doors as small as 1³/₄" wide and all wider ones
- Wear points insulated by nylon sleeves and rollers
- Contoured cross-bar
- Functional easy to operate dogging - hold-open feature
- Handed – non-reversible
- Surface mounted rim strike does not require cut-out and has nylon silencer feature

Concealed V/R Application



VC861 CONCEALED V/R TYPE

Features

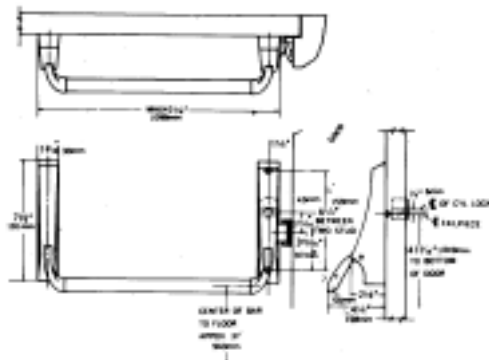
- Concealed fastenings
- Pullman type top & bottom latches
- 1³/₁₆" wide x 7¹/₂" long x 2¹/₂" projection permit use on narrow stile doors as small as 1³/₄" wide and all wider ones
- Wear points insulated by nylon sleeves and rollers
- Contoured cross-bar
- Functional easy to operate dogging - hold-open feature
- Reversible -- non-handed
- Adjustable top rod assembly for custom fitting
- Steel rods add strength and endurance

ECONOMY PRICED • COMPARE OUR PRICES WITH COMPETITION

NARROW STILE EXIT DEVICES

SERIES ED-800

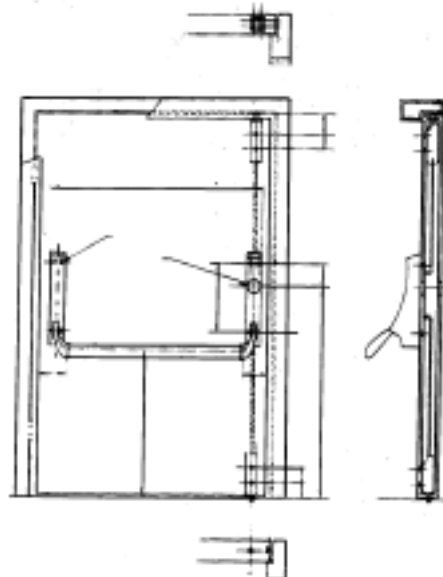
MOUNTING TEMPLATE



Standard models
ED801 and VC861
are for use on doors
up to 42" wide.

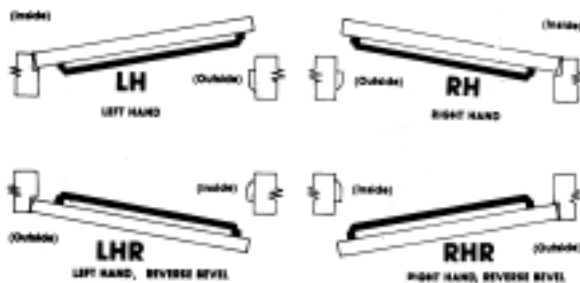
ED801 Rim Type

MOUNTING TEMPLATE



VC861 V/R Concealed Type

HAND OF DOOR



PD881 PUSH PADDLE EXIT DEVICE



Model PD881
Used with active case of
an exit device in lieu of
crossbar and eliminating
the inactive case. (handed)

OUTSIDE TRIM

No. RC-051 Finishes:
Satin Chrome
Duronodic

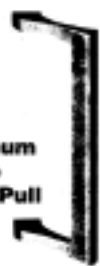


RIM CYLINDER COMPLETE
Solid Brass Rim Cylinder complete
with adapter ring, 5 pin tumbler,
available (KA) or (KD) keying,
Schlage C keyway.

For use on 2 1/8" diam. ANSI
prepped door. Specify with
mounting plate #803.

P-09

**Solid
Aluminum
& Duro
Offset Pull**



LP-01

Lip
Pull



FUNCTIONS

EXIT ONLY



EXIT
ONLY



EXIT WITH
P-09 PULL

EXIT & ENTRANCE



EXIT WITH
RC-051
RIM CYLINDER



EXIT WITH P-09
PULL AND RC-051
RIM CYLINDER

NET PRICE EA. — COMPLETE UNIT

ED801 ALU

ED801 DURO

When ordering specify hand
(LHR or RHR)

VC861 ALU

VC861 DURO

(non-handed)

PD881 ALU

PD881 DURO

When ordering specify hand
(LHR or RHR)

PRICES SHOWN ABOVE ARE IN CASE LOTS OF 6 • LESS THAN CASE LOTS ADD 10%

QUANTITY DISCOUNTS

24 UNITS - LESS 5% DISCOUNT
48 UNITS - LESS 10% DISCOUNT
96 UNITS - LESS 15% DISCOUNT

• CAN BE ASSORTED TO SECURE QUANTITY DISCOUNTS
• ALL ACCESSORIES ARE NET



ECONOMY MODEL - MAXIMUM SECURITY E-DG22 DOR-GUARD SET



Our Economy Model is now available at these "Great Low Prices" - Now everyone can use them for all their trimline aluminum doors with mortise cylinders.

THE ULTIMATE SECURITY

A cylinder guard designed to protect against forcible unauthorized entry via cylinder on narrow stile aluminum doors.

Although most locks used on commercial aluminum doors are fine quality with heavy hardened steel plates to bolt the door against intrusions, they are **vulnerable** since the **cylinder device** is left **unguarded**. The cylinder is the point of the key entry which activates the locking mechanism. Once the cylinder is removed or can be picked or bypassed, the lock will be opened.

Therefore, the cylinder, rather than the dead bolt, becomes the **target** of today's **professional burglar**. E-DG22 Cylinder Guard **totally eliminates this weak spot in your security system**. The E-DG22 is a compact steel box, can be used with any mortise lock cylinders and is designed for use on any narrow stile aluminum door.

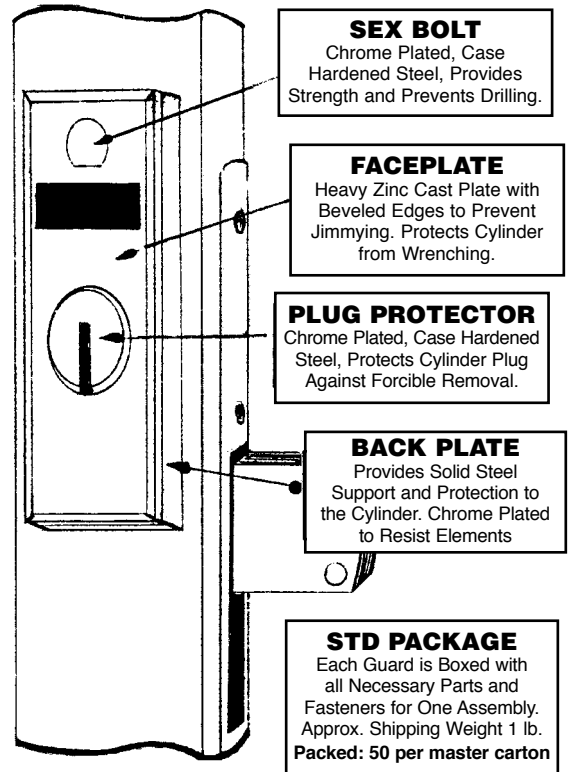
E-DG22 offers you **total protection against the common types of forced entry**.

This hardened steel box unit encases the cylinder and fasteners through your door with powerful $\frac{3}{8}$ " sheer strength hardened recessed bolts to **make wrenching totally impossible**. The hardness of the box **repels common drilling equipment**. By covering the cylinder with a hardened steel disk, it **prevents burglar access** to cylinder keyway and **eliminates** the possibility of **picking**, or **removing the lock cylinder**.

Easy to install, the E-DG22 provides **maximum security** with any mortise cylinder used on any aluminum entrance doors.

The E-DG22 is your best defense to prevent illegal entry or burglary.

SIZE OF FACE PLATE MEASURES 1 1/2" Wide X 4 1/2" Long



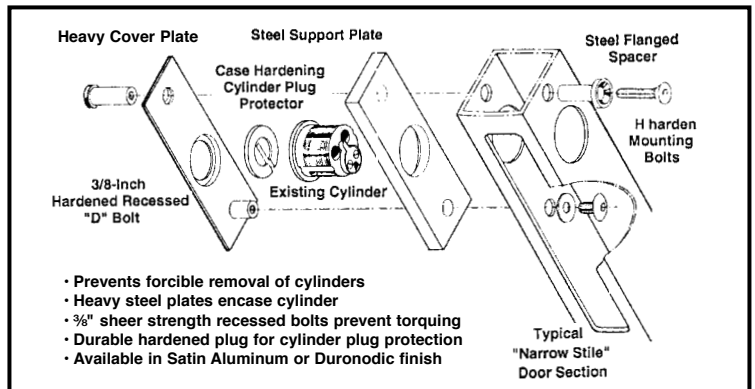
THE E-DG22 DOR-GUARD SET CAN BE USED WITH ANY BRAND OF MORTISE KEY CYLINDERS INCLUDING MEDECO AND MOST OTHER BRANDS OF HIGH SECURITY MORTISE KEY CYLINDERS

AVAILABLE IN 2 FINISHES

FINISH	NET PRICE
Satin Aluminum	
Duronodic	

QUANTITY DISCOUNTS

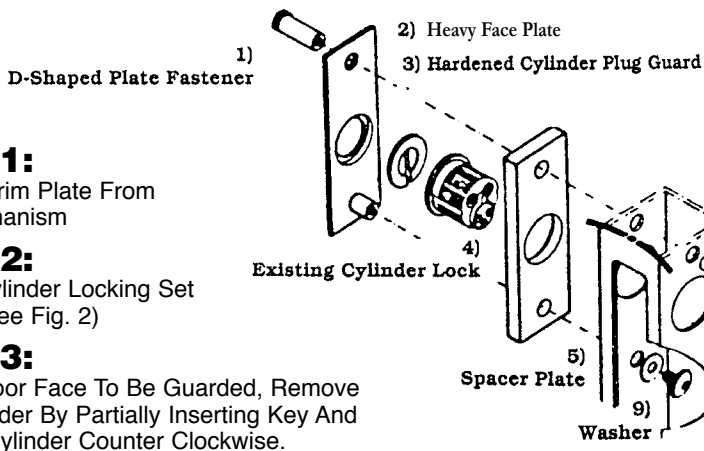
20 UNITS - 5% DISC.
50 UNITS - 10% DISC.



GUARANTEES MAXIMUM SECURITY FOR ANY NARROW STYLE ALUMINUM DOORS

INSTALLATION INSTRUCTIONS E-DG22 DOR-GUARD SET

FIG. 1



PARTS LISTING:

- 1) D-Shaped plate fastener
- 2) Heavy face plate
- 3) Hardened cylinder plug guard
- 4) Existing lock cylinder
- 5) Spacer plate
- 6) Existing door stile
- 7) Flanged spacer
- 8) Mounting bolt (long)
- 9) Washer
- 10) Mounting bolt (short)

STEP 1:

Remove Trim Plate From Lock Mechanism

STEP 2:

Loosen Cylinder Locking Set Screws (See Fig. 2)

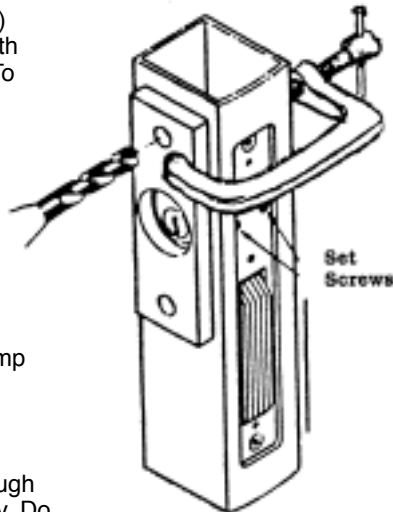
STEP 3:

On The Door Face To Be Guarded, Remove Lock Cylinder By Partially Inserting Key And Rotating Cylinder Counter Clockwise. Discard Cylinder Space Ring

FIG. 2

STEP 4:

Locate Spacer Plate (5) Over Cylinder Hole. With Larger Diameter Hole To The Outside, Replace Cylinder Through Spacer Plate And Screw In Tightly.



STEP 5:

Using A $\frac{25}{64}$ " Drill, Drill Through Both Sides Of Stile, Using Caution To Drill In Horizontal Alignment. Use "C" Clamp If Necessary.

STEP 6:

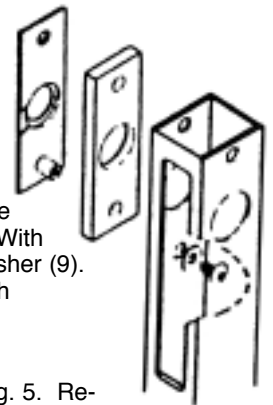
Through Lower Hole In Spacer Plate Drill Through Near Side Of Door Only. Do Not Drill Into Locking Mechanism.

GUARANTEES MAXIMUM SECURITY FOR ANY NARROW STILE ALUMINUM DOORS

FIG. 3

STEP 7:

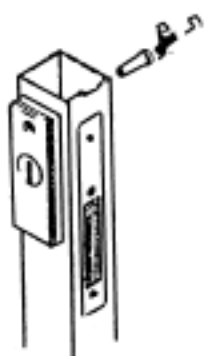
Insert Boss On Face Plate Through Lower Hole In Back Plate And Into The Door Stile. Fasten With Short Mounting Bolt (10) And Washer (9). Tighten Snugly Using Hex Wrench Provided.



STEP 8:

Align Both Plates As Shown In Fig. 5. Re-install Lock Mechanism And Cylinders, Aligning Cylinders In Original Positions. Lightly Lubricate Plug Guard (3) And Insert In Large Hole Of Face Plate.

FIG. 4



STEP 9:

Rotate Face Plate Into Position. Insert Fastener (1) And Fasten With Flanged Spacer (7) And Long Mounting Bolt (8). Tighten With Hex Wrench.

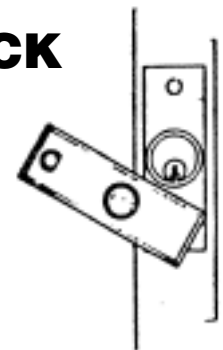
STEP 10:

Insert Key Through Lock Guard And Check To See That Key Turns Freely In Both Directions. Tighten Cylinder Locking Set Screws. Reinstall Trim Plate. Installation Is Now Complete.

FIG. 5

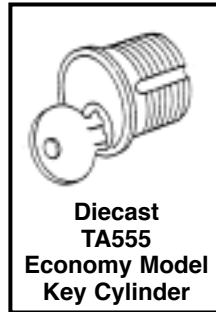
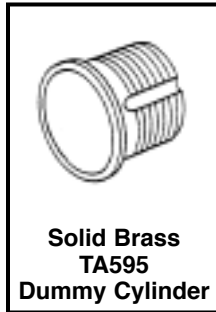
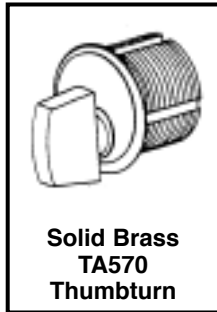
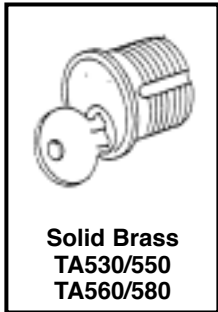
TO REKEY LOCK

Remove Top Mounting Bolt (8), Flanged Spacer (7) And D-Shaped Fastener (1). Rotate Face Plate As Shown For Access To Cylinder. When Rekeying Is Complete, Reverse Above Procedure For Reassembly.



SOLID BAR BRASS & ZINC DIECAST MORTISE LOCK CYLINDERS

- Key
- Thumbturn
- Dummy



The Only Brand of Imported-Solid Brass & Zinc Diecast Mortise Cylinders Supplied With
A Finely Finished USA Type Cap Facing And Best Quality And Precision Construction

TA530 3/4"	TA550 1"	TA560 1 1/8" TA580 1 1/4"	TA570 1"	TA595 1"	TA555 1"	TA537 3/4" TA577 1"	TA525 3/4"
4 Pin Tumbler Solid Brass Mortise Key Cylinder	5 Pin Tumbler Solid Brass Mortise Key Cylinder	6 Pin Tumbler Solid Brass Mortise Key Cylinder Keyed 5 - Pin	Solid Brass Mortise Thumbturn Cylinder	Solid Brass Mortise Dummy Cylinder	Economy 5 Pin Tumbler Mortise Key Cylinder	Economy Mortise Thumbturn Cylinder	Economy Diecast Dummy Cylinder
FINISHES US3 US28	FINISHES US3, US26D Duronodic US28, Black	FINISHES US3, US26D Bronze	FINISHES US3, US26D Duronodic Black	FINISHES US3, US26D Duronodic Black	FINISHES US3, US28 Duronodic US26D	FINISHES US28 Duronodic	FINISHES US28 Duronodic
KEYWAYS Y	KEYWAYS Y-S-K-A-G-N-W-C-D	KEYWAYS Y-S-K-A-G-N-W-C-D			KEYWAYS G-N-Y-S-A-K		
KEYED KA2 KA50	KEYED KD, KA2 KA50	KEYED KD, KA50			KEYED KA2 KA50		
CAM A	CAM A or C	CAM C	CAM A		CAM A or C	CAM A	
PACKED 2 per box 150 per case	PACKED 1 or 2 per box 150 per case	PACKED 1 per box 150 per case	PACKED 1 per box 150 per case	PACKED 1 per box 150 per case	PACKED 2 per box 150 per case	PACKED 1 per box 150 per case	PACKED 1 per box 150 per case

FINISH CODE		KEYWAY CODE	CAM CODE	CAM SPECIFICATIONS
US3 US26 US26D US28 DURO BK	Polished Brass Polished Chrome Satin Chrome Anodized Alum. Duronodic Black	Y Yale 8 K Kwikset S Schlage C A Arrow G Segal N Sargent LA-C W Weiser C Corbin 60 R Russwin D1	A B C D E	<p>Adams Rite</p> <p>These Cams Retrofit Many Popular Brand Cylinders</p> <p>ALL CAMS \$</p>

Quantity Discounts

50 Cylinders - Less 5% 250 Cylinders - Less 10%
500 Cylinders - Less 10%-5%

WIDE ASSORTMENT OF ADAPTER RINGS FOR MORTISE CYLINDERS

HARDENED STEEL — FREE SPINNING — TAPERED CYLINDER RING GUARD

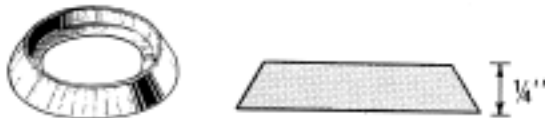


Model No.
HST-MCR
FINISHES:
Chrome = CM
Brass = F
Duronodic = DURD
Aluminum = ALU

Packed:
500 per
master carton

- Cone Shaped
 - Free Spinning
- The safest mortise cylinder ring

This recessed cone shaped ring cannot be gripped by a wrench or crushed because it is made of hardened steel and is free spinning.



Quantity Discounts

100 Lots - 5%
500 Lots - 10%

SPRING-TYPE-RECESSED ADJUSTABLE CYLINDER RINGS

Size $\frac{1}{2}$ "



Spring Inside
Adapter Ring
compensates and
prevents rattle.



Model #MCSR
(steel-plated)
Model #SBSR
(solid brass)

This spring-type cylinder ring is adjustable. Cylinder face is recessed when installed and the ring is free-spinning, so the cylinder cannot be removed with a wrench.

Available in:
Wrought steel plated
Solid brass

Finishes:
Chrome
Brass
Duronodic

Packed:
1000 per
master carton

SB-SRPB $\frac{1}{2}$ " Solid Brass -
Pol. Brass
SB-SRCM $\frac{1}{2}$ " Solid Brass -
Chrome

MC-SRPB $\frac{1}{2}$ " Steel - Brass
MC-SRCM $\frac{1}{2}$ " Steel - Chrome
MC-SRDR $\frac{1}{2}$ " Steel - Duronodic
MC-SRBK $\frac{1}{2}$ " Steel - Black


(Specify finish when ordering)

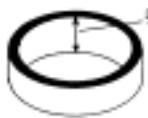
EXTRUDED SOLID BRASS CYLINDER RING



Model #SBRCCR
Free Spinning
Recessed
 $\frac{1}{2}$ " type
Finishes:
Polished Brass; Chrome



Model #SBRCCR38
Free spinning
Recessed $\frac{3}{8}$ " type 
Polished Brass



Model #SBNRCR
 $\frac{3}{8}$ " Non-recessed Solid
Brass Extruded
Packed:
500 per master carton
Finishes:
Polished Brass; Chrome

(specify finish when ordering)

STAMPED BRASS CYLINDER RINGS



Model #FSB
Flanged type
 $\frac{1}{4}$ " thick

Chrome/Duronodic/Black
Polished Brass/Aluminum



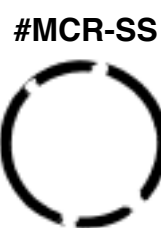
Model #NFSB
Non-Flanged type
 $\frac{1}{4}$ " thick

Chrome/Duronodic/Black
Polished Brass/Aluminum

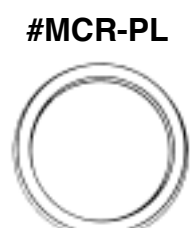
(specify finish when ordering)

All stamped brass cylinder rings
Packed: 500 per master carton

MORTISE CYLINDER SHIM RINGS



- Stainless steel
- Spring type



- Polyethylene plastic
- Will not crack or break

Used mainly to eliminate loose solid mortise cylinder rings and acts as a shim

Heavy Duty • Commercial Grade THRESHOLDS

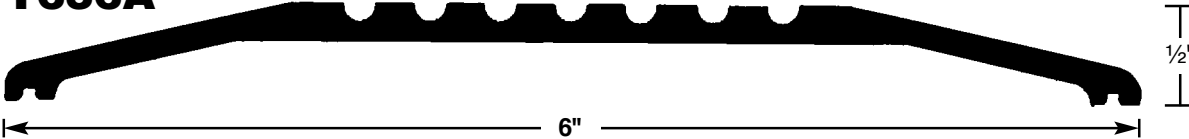
T436A



T536A



T636A



ALL THRESHOLDS SUPPLIED INDIVIDUALLY POLYBAGGED WITH SCREWS.

CROSS REFERENCE

REESE	S424A	S425A	S426A
NAT. GUARD		424	425 426

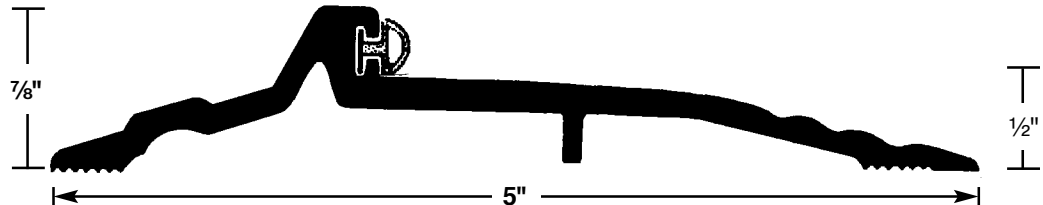


ALSO AVAILABLE IN OTHER LENGTHS LIKE 42" 60" 84"

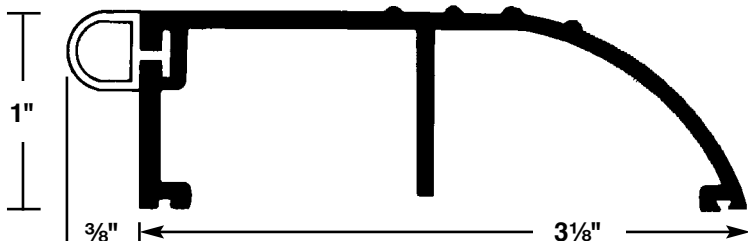
NOTE:
All thresholds supplied 1/2" larger than length noted.

ITEM NO.	SIZE	FINISH	PACK/CASE	NET PRICE
T436A	4" x 36"	ALUM	10	
T448A	4" x 48"	ALUM	10	
T472A	4" x 72"	ALUM	5	
T536A	5" x 36"	ALUM	10	
T548A	5" x 48"	ALUM	10	
T572A	5" x 72"	ALUM	5	
T636A	6" x 36"	ALUM	10	
T648A	6" x 48"	ALUM	10	
T672A	6" x 72"	ALUM	5	
T-WS536A	5" x 36"	ALUM	10	
T-WS548A	5" x 48"	ALUM	10	
T-WS572A	5" x 72"	ALUM	5	
T-WS336A	3" x 36"	ALUM	10	

T-WS536A



T-WS336A



Panic Type THRESHOLDS with vinyl stop

CROSS REFERENCE

REESE	S487A
NAT. GUARD	804
TACO	T-WS536A

Quantity Discounts

25 Lots - less 5% 50 Lots - less 7 1/2% 100 Lots - less 10%
In full carton lots only (Can be assorted)

Heavy Duty - Commercial Grade - Finest Lever Type DOOR HOLDERS

Features:

- 3 Finishes

Pressure Cast

- ALU - Aluminum
- US4 - Satin Brass
- DURO - Dark Duronodic

Solid Cast Brass

- CMD - Satin Chrome
- PB - Polished Brass
- DURO - Dark Duronodic

- Rugged heavy duty construction for commercial use
- Fully threaded metal base and threaded rubber guard tips which prevents rubber guard tips from falling out or pulling loose

Polybagged with Screws
5/box 50/carton



All Pressure Cast & Solid Cast Brass models are now supplied with smooth finely finished castings

Pressure Cast

- TA135PWS - 4" -**
- TA1135PWS - 5" -**

(Price same for all finishes)

Solid Cast Brass

- SB235PWS - 4" -**
- SB1235PWS - 5" -**

(Price same for all finishes)

Rubber Tip for 135 & 1135:
Rubber Tip for 235 & 1235:

Quantity Discounts

- 50 Units - 5%
- 100 Units - 10%
- (Can be assorted)

ADJUSTABLE STROKE - TELESCOPIC DOOR HOLDER

TA-360

Unique Patented Construction Offers the
Widest Range of Possibilities.

60 mm = 2 3/8" Telescopic stroke eliminates all intermediate sizes. Designed for modern metal and wooden doors.

The telescopic system offers the up to now unequalled stroke of 60 mm = 2 3/8" with extremely small dimensions.

**ALUMINUM
DURONODIC**



Packed: 50 Per Master Carton

Quantity Discounts

36 Units or More — Less 5%
Can be assorted

LG111



Prevents Wrenching out of cylinder and covers space between door & frame on tubular aluminum doors.

- Fits narrow line aluminum doors
- Reversible for right or left hand doors.
- Mounts to door with 2 heavy-duty tamper-proof sex bolts.
- Complete installation directions on back of carded display package.

Packed: Complete with fasteners and 2 extra-heavy duty sex bolts.
Packed: 50 per master carton

Finishes: ALU - Aluminum
DURO - Duronodic

NET PRICE EACH

**ALUM
DURO**
(POLYBAGGED)

Cross Reference
Ives #180

STORM & JALOUSIE CHAIN DOOR GUARDS

VC3700 GV-PWS DELUXE DOOR PROTECTOR CHAIN

Description: Storm and jalousie chain door guard with elastic vinyl tube covering which will not mar door or scratch glass. Helps prevent noise.



WITH
MAR-PROOF
PLASTIC
TUBE
COVERING!

Finish: Zinc plated with gray plastic tube

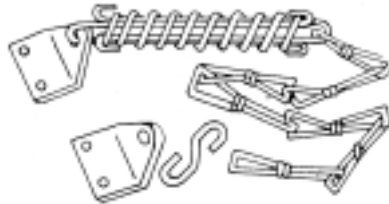
Packed: 12 polybagged w/screws/ctn.
72 per master case

Weight: 3 lbs/ctn of 12

QUANTITY DISCOUNT

Master Case (72 Cards) – less 5%
4 Master Cases (288 Cards) – less 10%

TA-3700 GV SINGLE SPRING CHAIN DOOR GUARD



Finish: Heavy Zinc plated waterproof finish

Packing: 6 doz. per carton/poly-bagged with fasteners – 144/case

Weight: 4¾ lbs per dozen

DX3700 GV OR BK SINGLE SPRING CHAIN DOOR GUARD



DELUXE MODEL
WITH HANG-UP SPRING AND NAIL

Finishes: Heavy Zinc plated waterproof finish or dead black gun metal finish

Packing: 6 doz. per carton/poly-bagged with fasteners – 144/case

Weight: 5 lbs per dozen

Quantity Discounts

48 Dozen Lots – 5% • 96 Dozen Lots – 10%
Items TA3700 or DX3700 – total quantity can be assorted

EXTRA HEAVY DUTY - COMMERCIAL GRADE TA-1631 ADJUSTABLE CHAIN DOOR STOP MATCHED VINYL COVERED WITH CAST BRASS PLATES

ADJUSTABLE FEATURES ELIMINATES YOUR
HAVING TO STOCK 5 DIFFERENT
LENGTH UNITS - THIS ONE DOES IT ALL



SOLID
CAST BRASS
MOUNTING PLATES

ADJUSTABLE FROM 20" TO 30½" • EXTRA HEAVY DUTY
SPECIALLY DESIGNED FOR FULL SIZE COMMERCIAL GRADE EXTERIOR DOORS
SUPERIOR STOPPING AND CUSHIONING QUALITIES • 2 RUGGED COMPRESSION SPRINGS
CAST BRASS MOUNTING AND PLATES • GRAY OR TAN VINYL COVER PREVENTS SCRATCHING
OR DETERIORATION OF DOOR AND ELIMINATES ALL NOISE

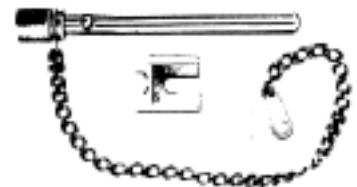
PACKED: ONE PER BOX -- 50 PER CASE

TA-1631 CMD – Satin Chrome
TA-1631 DURO – Medium Duronodic

Quantity Discounts

50 UNITS – LESS 5%
100 UNITS – LESS 10%

CD-626 SLIDING DOOR NITE LOCK PIN WITH HOLDER BRACKET



Description: Sliding door or aluminum patio door night lock pin

Finish: Bright Chrome

Packed: 1 dz/ctn. 72 dz./master ctn.

Weight: 1 lb/ctn. of 12

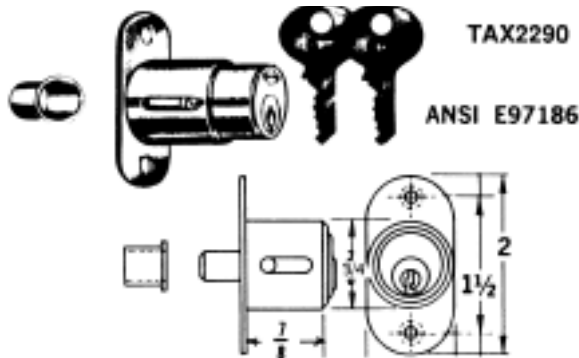
AVAILABLE POLYBAGGED

QUANTITY DISCOUNT

250 Card Lots – 5%
500 Card Lots – 10%

SLIDING DOOR LOCK SOLID BRASS CONSTRUCTION

Operation: To lock push end of cylinder.
To unlock use key.



TAX2290PB -- Pol. Brass
TAX2290CMP -- Pol. Chrome

Packed: 1 per box
10 per carton
250 per case

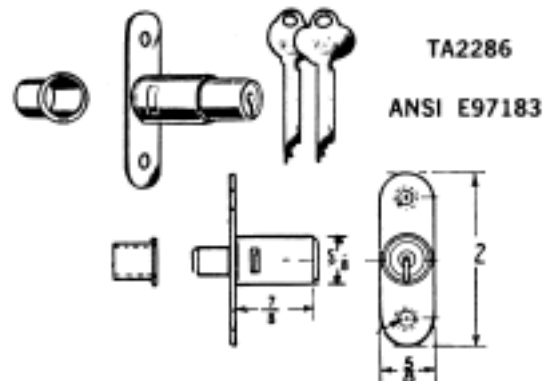
Available KA
Keyed Alike or
KD -- Keyed Different

Quantity Discounts

100 Units — Less 10%
250 Units — Less 10-10%

SLIDING DOOR LOCK SOLID BRASS CONSTRUCTION

Operation: To lock push end of cylinder.
To unlock use key.



TAX2286PB -- Pol. Brass
TAX2286CMP -- Pol. Chrome

Packed: 1 per box
10 per carton
250 per case

Available KA
Keyed Alike or
KD -- Keyed Different

Quantity Discounts

100 Units — Less 10%
250 Units — Less 10-10%

DELUXE - HEAVY DUTY SHOW CASE LOCK RATCHET TYPE



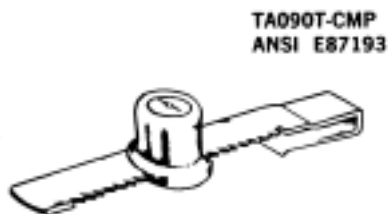
Show case lock made of highly polished chrome, rust proof zinc alloy, ratchet type, with disc tumbler cylinder, two keys included. Adjustable steel, chrome plated locking bar. For glass up to 1/4" thick. Available KA-keyed alike, or KD-keyed different.

Packed: 1 per box, 10 per carton,
100 per case.

QUANTITY DISCOUNT

100 Locks—\$2.00 EA. NET
200 Locks—\$1.75 EA. NET

SHOW CASE LOCK FOR GLASS SLIDING DOORS RATCHET TYPE



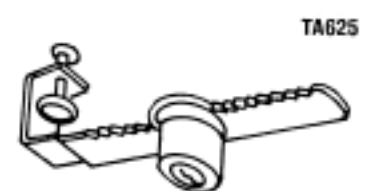
Glass sliding door case lock is ratchet type with disc tumbler cylinder and two keys. Adjustable steel chrome plated locking bar. For glass up to 1/4" thick. Available KA-keyed alike or KD-keyed different.

Packed: 1 per box, 10 per carton,
100 per case.

QUANTITY DISCOUNT

100 Locks—\$1.25 EA. NET
200 Locks—\$1.15 EA. NET

SHOW CASE LOCK FOR GLASS SLIDING DOORS RATCHET TYPE



Show case lock supplied with 3 keys, adjustable for different thickness doors, available keyed different (KD) or keyed alike (KA). We ship KD unless KA is specified. Finish is heavy nickel plated; weight is 3.1 lbs per dozen.

Packed: 1 per box, 12 per carton,
120 per case.

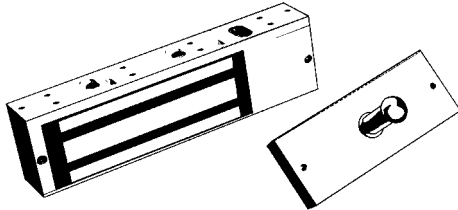
QUANTITY DISCOUNT

120 Locks—LESS 5%

NEW • TOP QUALITY ELECTRO-MAGNETIC DOOR LOCKS

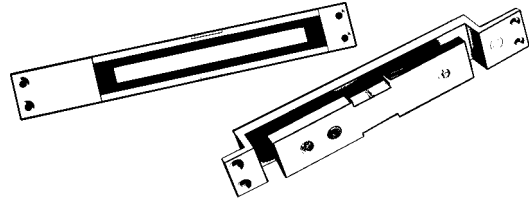
FIELD SELECTABLE 12 OR 24 VDC WITH VARIOUS OPTIONAL FEATURES

**1500 lb. Holding Power
Single or Double**



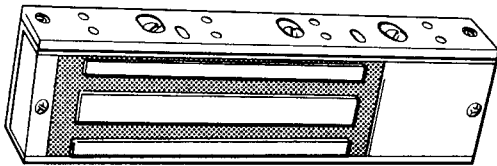
ML900 Series

**2000 lb. Holding Force
Shear Lock**



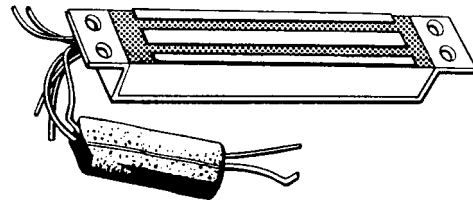
SL800

**1200 lb. Holding Force
Single or Double**



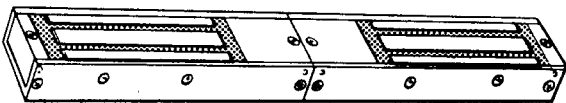
ML100 - ML111 - ML200 - ML222

**Mortise Model
300 & 600 lb. Holding Force**



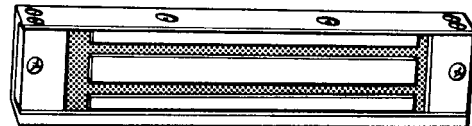
ML500 - ML700

**600 lb. Holding Force
Single or Double**



ML300 - ML400

**300 lb. Holding Force
Single**



ML600

- All models UL tested and listed
- Built in removable Program Board with a variety of Features
- Adjustable time Delay
- Field Selectable 12 VDC or 24 VDC
- Low Power Draw 500mA-12V
- Anti Tampering Switch
- Door Status Switch
- Relay Dry Contacts-LED
- No Residual Magnetism
- Immediate Door Release when Lock is De-energized
- Silent Operation
- Self Aligning Armature
- Adjustable Mounting Bracket plus all types of popular Brackets and Shims for all Popular Types of Inswinging and Outswinging Door Installation for Wood, Steel, Aluminum and Glass Doors.



**• AND LAST BUT NOT LEAST... LOWEST PRICES
• FOR FINE QUALITY ELECTROMAGNETIC DOOR LOCKS**

DISTRIBUTOR'S NET PRICES
ELECTRO-MAGNETIC DOOR LOCKS
ALL FIELD SELECTABLE 12 VDC OR 24 VDC

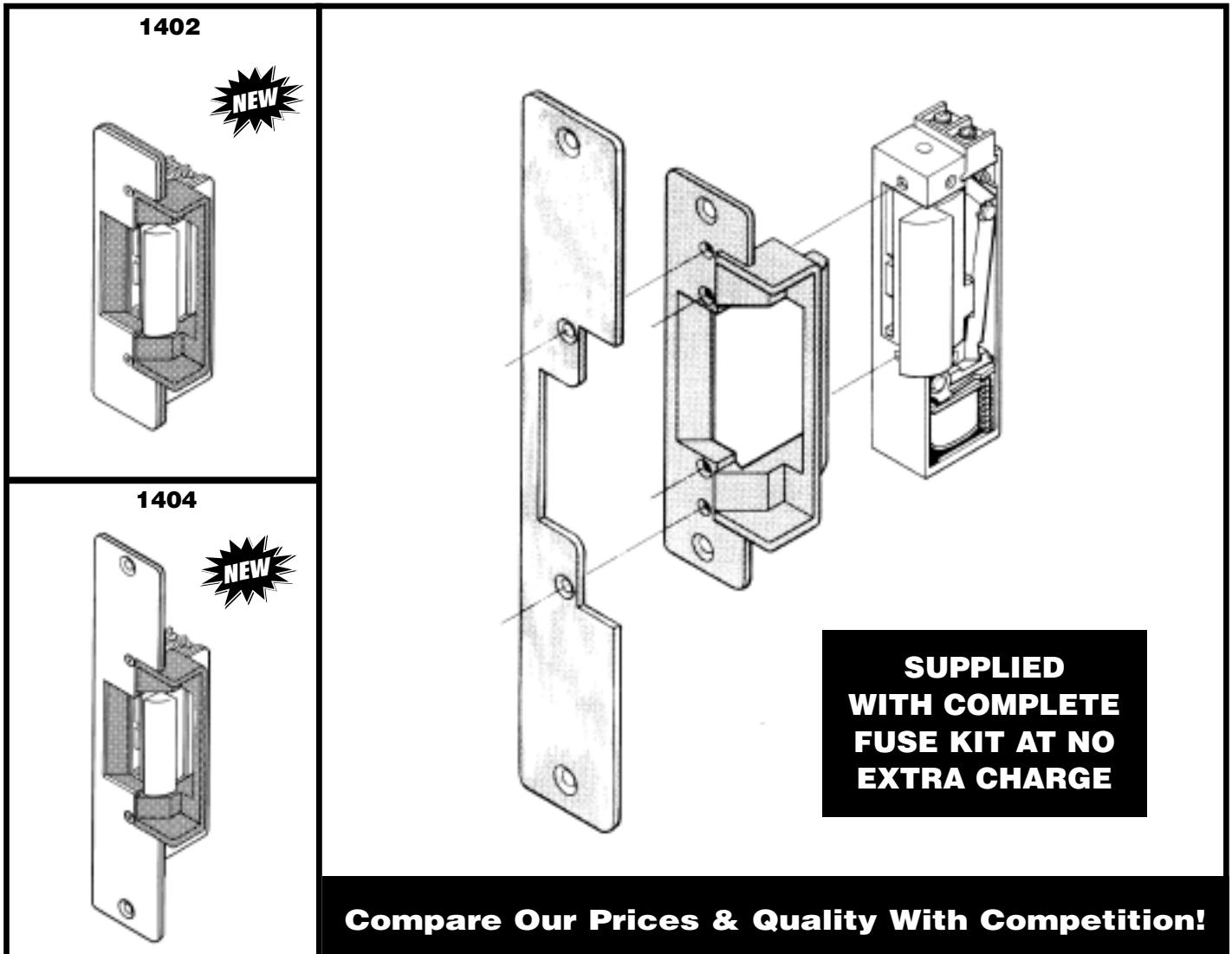
MODEL NO.	HOLDING POWER	DESCRIPTION	SINGLE OR DOUBLE	REGULAR	WITH LED (L)	WITH TIMER (T)	WITH LED & TIMER (LT)
ML900	1500lb	Electromagnetic door lock; basic unit	Single				
ML100	1200lb	Electromagnetic door lock; basic unit	Single				
ML111	1200lb	Electromagnetic door lock; basic unit w/door sensor	Single				
ML200	1200lb	Electromagnetic door lock; basic unit	Double				
ML222	1200lb	Electromagnetic door lock; basic unit w/door sensor	Double				
ML300	600lb	Electromagnetic door lock;	Single				
ML400	600lb	Electromagnetic door lock; basic unit	Double				
ML500	600lb	Mortise type electromagnetic door lock; basic unit w/reed	Single				
ML600	300lb	Surface type electromagnetic door lock; basic unit	Single				
ML700	300lb	Mortise type electromagnetic door lock; basic unit	Single				
SL800	2000lb	Electromagnetic shear lock with adjustable timer, voltage suppressor, door sensing feature	Single				
GL100S	1200lb	Electromagnetic gate lock	Single				
GL600S	600lb	Electromagnetic gate lock	Single				

QUANTITY DISCOUNT

LOTS OF 10 - 5% • LOTS OF 25 -7.5% • LOTS OF 50 -10%

PRECISION MADE
ELECTRIC DOOR STRIKES

“ No Finer Electric Strikes Made ”



The image contains technical drawings of two electric door strike models, 1402 and 1404. Model 1402 is shown in a perspective view with a 'NEW' starburst graphic. Model 1404 is also shown in a perspective view with a 'NEW' starburst graphic. To the right, there are exploded views of the components for both models, showing the mounting plate, the strike body, and the internal mechanism. A black box with white text states: **SUPPLIED WITH COMPLETE FUSE KIT AT NO EXTRA CHARGE**. At the bottom of the technical drawing area, a black box with white text reads: **Compare Our Prices & Quality With Competition!**

Trans Atlantic Company now offers you excellent quality line of its own electric strikes which we have tooled up for and are having manufactured for us by a fine electric hardware factory.

This gives us the opportunity to now offer substantial savings and opportunity for you to make even bigger profits, while offering your customer meaningful savings.

These are only our first models. Coming soon other popular models at substantial savings.

Step by step we are developing and tooling up for a complete and vibrant assortment of electric and electronic hardware products.

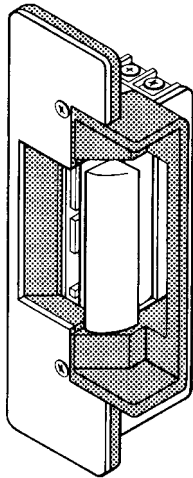
Ask for information on our assortment of electric magnetic door locks in many popular models-already in stock and at great prices.

ELECTRIC DOOR STRIKES



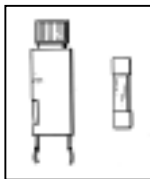
1402

ANSI MODEL



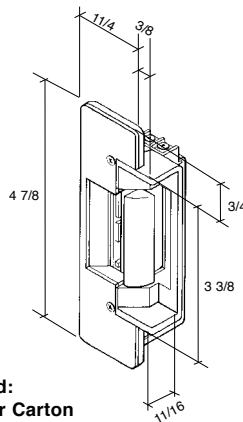
NOTE:
Continuous current application requires a DC current strike.

Available both fail safe and non-fail safe. For fail safe specify FS before the item number



SUPPLIED WITH COMPLETE FUSE KIT AT NO EXTRA CHARGE

No better standard duty ANSI Strike made for use with hollow steel frames.



Packed:
50 Per Master Carton

NET PRICE EA.

PRICE INCLUDES FUSE KIT

QUANTITY DISCOUNT

25 UNITS - LESS 5%
50 UNITS - LESS 7 1/2%
100 UNITS - LESS 10%

VOLTAGE:

8-16v ac 12v dc - (01)
24v ac 24v dc - (08)

FINISH:

- US 28
- Duronodic

CONSTRUCTION:

- Magnetic coil
- Face plate: Square corners
- AC and/or DC current
- 1402 non-fail safe 1402FS fail safe.
- Intermittent or continuous

MOUNTING:

Left or right hand

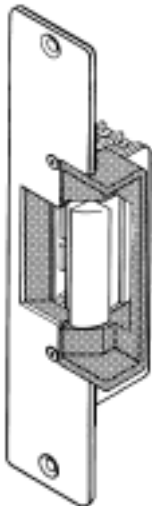
CROSS REFERENCE:

Trine 2012
Rofu 1402
Adams Rite 7860

ALL STRIKES require low voltage transformer not exceeding 24V with minimum of 500 MA. Rectifier is required when using DC strike with AC current.

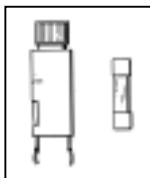


1404



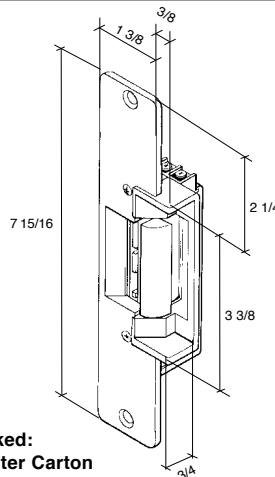
NOTE:
Continuous current application requires a DC current strike.

Available both fail safe and non-fail safe. For fail safe specify FS before the item number



SUPPLIED WITH COMPLETE FUSE KIT AT NO EXTRA CHARGE

No better strike made for use with trimline aluminum doors and frames.



Packed:
50 Per Master Carton

NET PRICE EA.

PRICE INCLUDES FUSE KIT

QUANTITY DISCOUNT

25 UNITS - LESS 5%
50 UNITS - LESS 7 1/2%
100 UNITS - LESS 10%

VOLTAGE:

8-16v ac 12v dc - (01)
24v ac 24v dc - (08)

FINISH:

- US 28
- Duronodic

CONSTRUCTION:

- Magnetic coil
- Face plate: Round corners
- AC and/or DC current
- 1404 non-fail safe 1404FS fail safe.
- Intermittent or continuous

MOUNTING:

Left or right hand

CROSS REFERENCE:

Trine 2002
Rofu 1404
Adams Rite 7810

ALL STRIKES require low voltage transformer not exceeding 24V with minimum of 500 MA. Rectifier is required when using DC strike with AC current.

Compare Our Prices & Quality With Competition!

ELECTRIC DOOR STRIKES

VOLTAGE:

8-16v ac 12v dc - (01)
24v ac 24v dc - (08)

FINISH:

- US 28
- Black

INSTALLATION:

- Wood Frame
- Metal Frame
- Aluminum Frame

CONSTRUCTION:

- Magnetic coil
- Face plate: Square corners
- AC and/or DC current
- 1702 non-fail safe
- 1702FS fail safe.
- Limited 36 Month Warranty
- Adjustable Keeper

MOUNTING:

Left or right hand

CROSS REFERENCE:

TRINE	N.A.		
ROFU	1702		
A.R.	7520	7540	7550
TACO	1702		

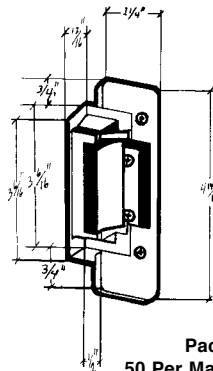
TRANSFORMER:

All electric strikes, 12-24 Volt require 20 VA Transformer of 500 MA minimum.

ANSI MODEL

NOTE:
Continuous current application requires a **DC** current strike.

Available both fail safe and non-fail safe. For fail safe specify FS before the item number



Packed:
50 Per Master Carton

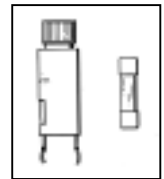
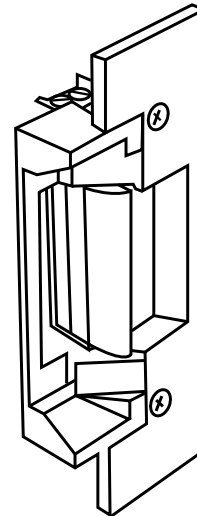
NET PRICE EA.

PRICE
INCLUDES
FUSE KIT

QUANTITY DISCOUNT

25 UNITS - LESS 5%
50 UNITS - LESS 7 1/2%
100 UNITS - LESS 10%

1702



SUPPLIED WITH COMPLETE FUSE KIT AT NO EXTRA CHARGE

with Adjustable Keeper

No better standard duty ANSI Strike made for use with hollow steel frames.

VOLTAGE:

8-16v ac 12v dc - (01)
24v ac 24v dc - (08)

FINISH:

- US 28
- Black

INSTALLATION:

- Wood Frame
- Metal Frame
- Aluminum Frame

CONSTRUCTION:

- Magnetic Coil
- Face plate: Round corners
- AC and/or DC current
- 1704 non-fail safe
- 1704FS fail safe.
- Limited 36 Month Warranty
- Adjustable Keeper

MOUNTING:

Left or right hand

CROSS REFERENCE:

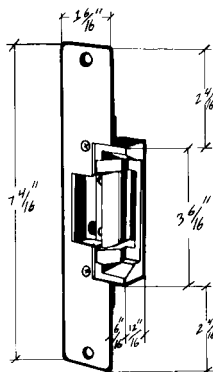
TRINE	N.A.
ROFU	1704
A.R.	7510
TACO	1704

TRANSFORMER:

All electric strikes, 12-24 Volt require 20 VA Transformer of 500 MA minimum.

NOTE:
Continuous current application requires a **DC** current strike.

Available both fail safe and non-fail safe. For fail safe specify FS before the item number



Packed: 50 Per Master Carton

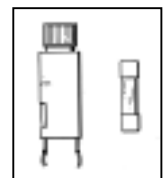
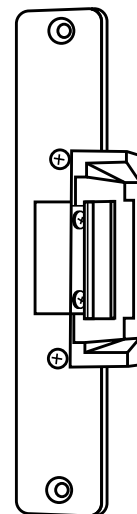
NET PRICE EA.

PRICE
INCLUDES
FUSE KIT

QUANTITY DISCOUNT

25 UNITS - LESS 5%
50 UNITS - LESS 7 1/2%
100 UNITS - LESS 10%

1704



SUPPLIED WITH COMPLETE FUSE KIT AT NO EXTRA CHARGE

with Adjustable Keeper

No better strike made for use with trimline aluminum doors and frames.