



Gasketing

WOOD DUCKS - Wood ducks are one of the most stunningly pretty of all waterfowl. They live in wooden swamps and nest in holes in trees or “wood duck boxes” erected in their living areas. Wood ducks are equipped with strong claws which allow them to perch on branches.

Gasketing Product Index

Page

Acoustical	G38B
Adhesive	G8-G12
Adjustable	G32-G33
Allseal Premium	G27
Anti-Ligature	G8
Anti-Microbial	G10-G11, G14-G16
Automatic Door Bottoms	G34-G38
Astragals	G48-G54
Bronze	G30-G31, G55
Concealed Fastener	G26, G36, G43, G50
Door Closer Compatible	G24, G25
Edge Sealing Systems	G8, G14-G16
Edge Sealing for Excessive Fire Door Clearances	G57
Edge Sealing for Excessive Fire Door Bottom Clearances	G58
Fast Attach Tape (FATT)	G12
Fasteners	G56
Foam Perimeter	G21
Intumescent	G14-G16
Kerf	G10, G21
Magnetic	G50, G55
Mullion	G13
Neoprene Perimeter	G18, G19
Nylon Brush Perimeter	G22, G23
Overhead Door	G47
Pile Perimeter	G17
Polyurethane Perimeter	G19
Rain Drip Guards	G55
Silicone Perimeter	G20, G21
Shoes	G38A-G43
Sound Rated	G4-G5
Steel Mounting Brackets	G32A
Sweeps	G44-G46
Stainless Steel	G28-G29
Vinyl Perimeter	G17



3	G32A	131N	G18	318V	G42	819V	G38A
5V	G40	132N	G18	319ET	G43	1000R	G54
6V	G40	133N	G18	319ET6	G42A	1015V	G45
7	G32A	134N	G18	319EV	G42	1038N	G32
12T	G43	134S	G20	319V	G42	1390SP	G52
12V	G40	135N	G19	320	G36	1392SP	G52
12T6	G42A	136N, 136S	G47, 53	331	G41	2014R	G44
13T	G43	136P	G53	335	G36	2525	G9
13T6	G42A	137N	G19, 48	336P	G54	3038N	G33
13V	G40	137S	G21, 48	340P	G54	4440	G38
14R	G47, 51	139A	G52	344	G43	4441	G38
15N	G41	139SP	G52	420N	G35	4447	G38
16	G55	139SS	G28, 52	421N	G35	4448	G38
16SS	G29	140P	G50	422N	G37	5020	G10
17	G55	140S	G50	423N	G37	5021	G10
17SS	G29	141	G33	520N	G35	5025	G10
18V	G40	143	G53	522N	G37	5040	G9
19V	G40	144	G54	600	G23, 46, 49	5050	G8
26N	G41	149M	G50	601	G23, 46	5050 Anti-Lig	G8
35ET	G43	150U	G19	602	G22	5060	G9
35ET6	G42A	151	G53	603	G22	5070	G11, 48
35V	G42	152V	G17	A605	G23, 46, 49	5075	G11
35EV	G42	152S	G21	B606	G23, 46, 49	5100	G13
36ET	G43	155V	G17	C607	G23, 46	9000	G27
36ET6	G42A	155S	G21	D608	G23, 46	9001	G20, 27
36V	G42	156S	G21	G610	G23, 46	9002	G20, 27
36EV	G42	156V	G17	G611	G23	9115	G27, 48
43CB	G55	157M	G55	H612	G23, 46	9125	G27, 48
54CP	G13	158	G51	H614	G23	9125SS	G28
60FP	G38B	159M	G55	I-615	G23	9450	G14
92	G39, 43	160S	G21	I-616	G23	9500	G16
92T6	G42A	160U	G19	D620	G22	9500 x 2525	G15
95WH	G41	160V	G17	G622	G22	9500 x 5020	G15
96V	G45	161N	G19	H623	G22	9550	G14
97V	G45, 49	161P	G17	I-624	G22	9600	G27, 46, 48
98V	G45	161S	G21	A625	G22	9605	G27, 46, 48
99	G39, 43	161U	G19	F625	G22	9675	G27, 44, 46, 48
99T6	G42A	161V	G17	A626	G22	9700	G25
100V	G45	162S	G21	C627	G46	9700E	G24
101V	G45	164V	G17	OV633	G23, 46	9706E	G24
102V	G45	165N	G18	OV634	G23, 46	9750	G15
103N	G32	165S	G20	A635	G53	9800	G16
104N	G32	170	G26	D648	G22	9850	G15
106	G32	172	G26	672	G26, 45, 49	81369N	G47
107	G32	176	G51	673	G45	FATT	G12
108N	G18	178S	G51	674	G45	Fasteners	G56
109N	G51	PF180	G12	675	G26, 45, 49		
109SS	G28	185P	G17	678	G45		
110N	G18	189M	G50	679	G45		
110S	G20	197N	G44	680	G35		
112N	G41	198	G44	682	G37		
113N	G41	199N	G44	683	G37		
114	G51	200	G44	D690	G46A		
115N	G48	200BR	G31	C697	G46A		
116N	G47, 53	200SS	G29	D698	G46A		
118N	G41	201N	G44	C699	G46A		
119N	G41	202N	G44	700	G25		
120N	G18	203N	G44	700E	G24		
120S	G20	220	G34	701E	G24		
120SS	G28	221SS	G29, 34	701P	G25		
122N	G18	221BR	G31, 34	704V	G25		
122SS	G28	222	G34	704E	G24		
125N	G48	223	G35	705V	G25		
125SS	G28	225	G36	705E	G24		
127N	G18	229SS	G29, 34	706	G25		
127S	G20	229BR	G31, 34	706E	G24		
127SS	G28	254P	G40	780	G34		
129N	G19	284Q	G21	816N	G38A		
129U	G19	303N	G33	816T	G38A		
129SS	G28	304N	G33	816T6	G38A		
130N	G18	310	G34	816V	G38A		
130BR	G30	312V	G42	819N	G38A		
130S	G20	312V X 131N	G38B	819T	G38A		
130SS	G28	313V	G42	819T6	G38A		

Rating Symbols Legend



POSITIVE PRESSURE - CERTIFIED by UL to ANSI/UL10C; complies with IBC, NFPA 80 and NFPA 252 for application to Hollow Metal fire doors rated up to 3 Hrs., and Wood fire doors rated up to 90 minutes (some ratings vary as noted).



CERTIFIED by UL to CAN/ULC-S104 and ANSI/UL10B; complies with NFPA 80 and NFPA 252 for application to Hollow Metal fire doors rated up to 3 Hrs., and Wood fire doors rated up to 90 minutes (some ratings vary as noted).



NGP-EDGE® SEALING SYSTEM, Certified by UL to ANSI/UL10C Category 'G'; required for Category B wood fire doors to meet positive pressure requirements complying with IBC, and NFPA 252. See individual products for maximum door size and ratings.



SMOKE & DRAFT CONTROL GASKETING, Certified by UL to ANSI/UL10C and ANSI/UL 1784 Category 'H'; complies with IBC and NFPA 105 for use on 'S' labeled Positive Pressure Hollow Metal fire doors rated up to 3 hours, and Wood fire doors rated up to 90 minutes (some ratings vary as noted).



ACOUSTICAL TESTED to ASTM E90 Standard Test Method for Laboratory Measurement of Airborne Sound Transmission Loss of Building Partitions and Elements, and ASTM E2235 Standard Test Method for Determination of Decay Rates for use in Sound Insulation Test Methods. Refer to information on pages G4 and G5 for test result data.



AIR INFILTRATION TESTED to ASTM E283, Standard Test Method for Determining Rate of Air Leakage Through Exterior Windows, Curtain Walls, and Doors.



ANTI-MICROBIAL. Treated with an anti-microbial additive to inhibit the growth of microorganisms.



ANSI/BHMA CERTIFIED. Certified gasketing complies with American National Standard for Door Gasketing and Edge Seal Systems ANSI/BHMA A156.22, and is listed in the BHMA Certified Products Directory.



Online product listings: www.ul.com/database



LEED Green Building

The LEED (Leadership in Energy and Environmental Design) Green Building Rating System® is a national standard for developing high-performance, sustainable buildings developed by the U. S. Green Building Council.

Our current LEED letter containing LEED qualification information for all our products is available at www.ngp.com

Environmental Product Declarations (EPD) prepared and certified by an Independent Laboratory based on Life Cycle Assessments (LCA) of our products may be viewed on our website, www.ngp.com

Health Product Declarations (HPD) may be viewed on our website, www.ngp.com

National Guard Products sustainability report may be viewed on our website, www.ngp.com

Contact us regarding our end of use product recycling program.

Materials

Metal retainers for gasketing are Aluminum Alloy 6063, T5 temper, unless noted.

Architectural Bronze gasketing is Alloy CDA 385 (Copper Alloy No. C38500), Architectural Bronze.

Stainless steel gasketing is Type 304; known for its excellent corrosion resistance, high tensile strength and resistance to oxidation.

NGP utilizes a variety of gasketing materials including Vinyl, Neoprene, Silicone, Nylon Brush, Thermo-Plastic Elastomers (TPE), Thermo-Plastic Vulcanizates (TPV), Polypropylene Pile, Ethylene-Propylene-Diene-Monomer (EPDM), Polyurethane, and Intumescent Fire Seals. Product Illustrations indicate the Gasketing material. Properties of many primary gasket materials are listed on the perimeter seal catalog pages.

Adhesive mounted gasketing utilizes a pressure sensitive modified acrylic adhesive protected by a release liner. Once installed it provides a permanent bond in exterior or interior locations. End use temperature range is -30°F up to 250°F. Shelf life of adhesive prior to installation is one year when stored at 75°F and 50% relative humidity or less.

Gasketing Finishes

				<u>NGP Suffix:</u>
Aluminum:	Mill Finish	ANSI/BHMA 719	US27	None
	Anodized Aluminum	ANSI/BHMA 628	US28	A
	Dark Bronze			DKB
	Gold			B
	Polished	ANSI/BHMA 717		POL
	Powder Coated Colors – See Page L2 for details			
Architectural Bronze:	Satin Finish	ANSI/BHMA 728	US4	BR
	Dark Bronze Oil Rubbed	ANSI/BHMA 722	US10B	BR-DKB
	Polished	ANSI/BHMA 721	US3	BR-POL
Stainless Steel:	Brushed (#4)	ANSI/BHMA 630	US32D	None
Gasket Materials:	Neoprene is Black			N
	NGP-TPV is Black			N
	Polyurethane is Black			U
	Vinyl is Gray, except where noted as Black			V
	Silicone colors: Black, Brown, Clear, Gray, Tan, White			S
	Thermoplastic is Brown			T, T6
	Nylon Brush colors: Black, Gray			
	TPE colors: Brown, Charcoal, Clear, White			
Polypropylene Pile is Gray				
EPDM is Gray				

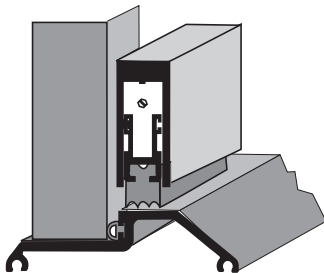
Powder Coat Finish

Powder Coat finish is available on most metal gasketing retainers upon request. Refer to page L2 for standard color options. Consult factory for custom color matching.

Sound Transmission Class (STC) Rated Single Door Assemblies

The chart below indicates the STC rating of specially made acoustic doors using various applications of gasketing. The first column is the rating of the door panel only; tested in a static inoperable condition to determine the sound transmission through the door. The second column is the rating of the operable door installed with hardware and gasketing which provides the STC rating of the door assembly.

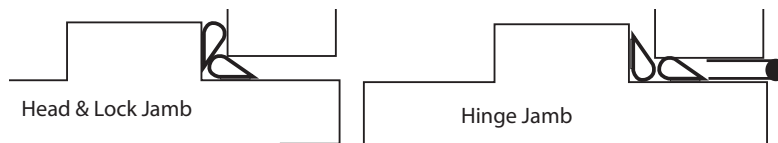
Acoustical testing to ASTM E90 Standard Test Method for Measurement of Airborne Sound Transmission Loss of Building Partitions and Elements, ASTM E2235 Standard Test Method for Determination of Decay Rates for use in Sound Insulation Test Methods, and ASTM E1332 Standard Classification for Rating Outdoor - Indoor Sound Attenuation. The sound transmission class (STC) was calculated in accordance with ASTM E413 Classification for Rating Sound Insulation.



897N x 420N

STC Rating Static Door Panel	STC Rating Operable Door w/ Gasketing	Perimeter Seals	Door Bottom	Threshold
30	30	103N, 107N, 120N, 122N 127N, 133N, 134N, 137N 137S, 303N, 700N, 700S	420N	897N
30	30	130S	225S	896S
30	30	107S	220S	950S
33	31	5020	780S	513
35	33	5025	780S	513
36	33	5050	335N	513
35	34	5020, 5075	780S	513
35	35	5070, 9750, 9850	335S	896S
40	37	5020, 5025	780S	513
40	37	5075	12T	513
40	37	103N, 107N, 303N	420N	897N
40	38	•(2) 5050	335N	896S
40	39	120N, 122N, 133N, 134N 137N, 137S, 700N, 700S	420N	897N
40	39	107S	220S	950S
44	39	1038N, 3038N	423N	896S
43	39	•(2) 5050	420N	412
42	40	•(2) 5050	Mortise 312V	896S
43	40	•(2) 5050	423N	896S
44	40	131N	335N	896S
47	41	103NFS	422N	897N
45	42	•(2) 5050	335N	896S
47	43	•(2) 5050	423N	896S
50	43	103N, 134N	420N	897N
50	43	107S	220S	950S
51	43	159M	420N	897N
48	44	•(2) 5050	423N	896S
49	44	103NFS	422N	8434S
52	44	107N, 131N, 1038N, 3038N	420N	897N

• Indicates 2 rows of 5050 installed as follows:



STC Seal Sets - Single Doors

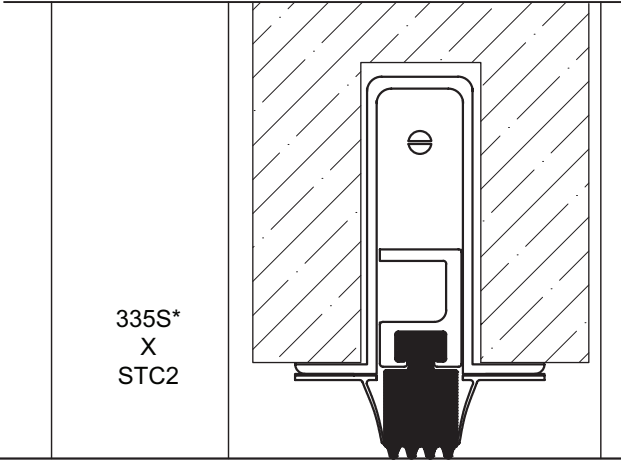
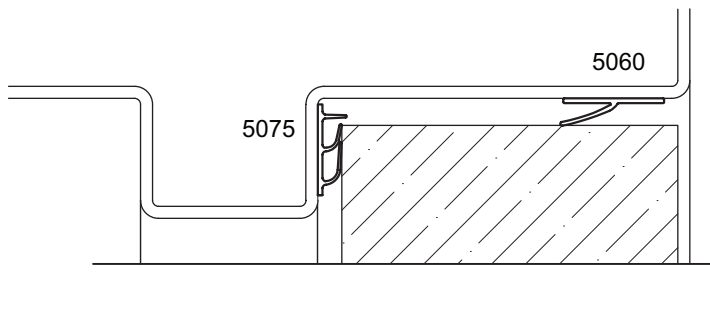
NGP Seal Sets maintain the static door panel STC with **NO DROP OFF**. Use with any STC rated door up to the STC rating indicated.

STC Seal Set	STC Rating	Perimeter Seals at Heads & Jambs	Door Bottom	Corner Pads	Threshold
1	33	5050 & 2525	312V X 131N	60FP (2 req.)	8144S*
2	45	5075 & 5060	312V X 131N	60FP (2 req.)	8144S*
3	52	5075 & 5060	335S X STC2	60FP (2 req.)	8144S*
4	52	5075 & 5060	12T6 X STC-FH	60FP (2 req.)	8144S*
5	52	5075 & 5060	225S X STC2	60FP (2 req.)	8144S*
6	52	5075 & 5060	None	None	896S-ADJ

*optional

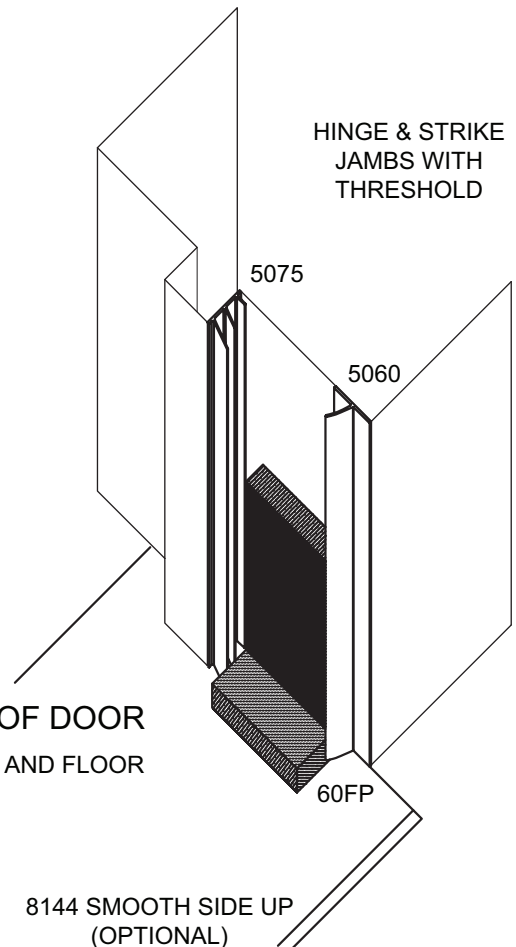
STC #3 Illustration

TOP OF FRAME
HEADER / JAMB AND DOOR



8144 SMOOTH SIDE UP
(OPTIONAL)

BOTTOM OF DOOR
THRESHOLD AND FLOOR



8144 SMOOTH SIDE UP
(OPTIONAL)

*For best acoustic results a 1/4" drop is recommended; 3/8" drop maximum

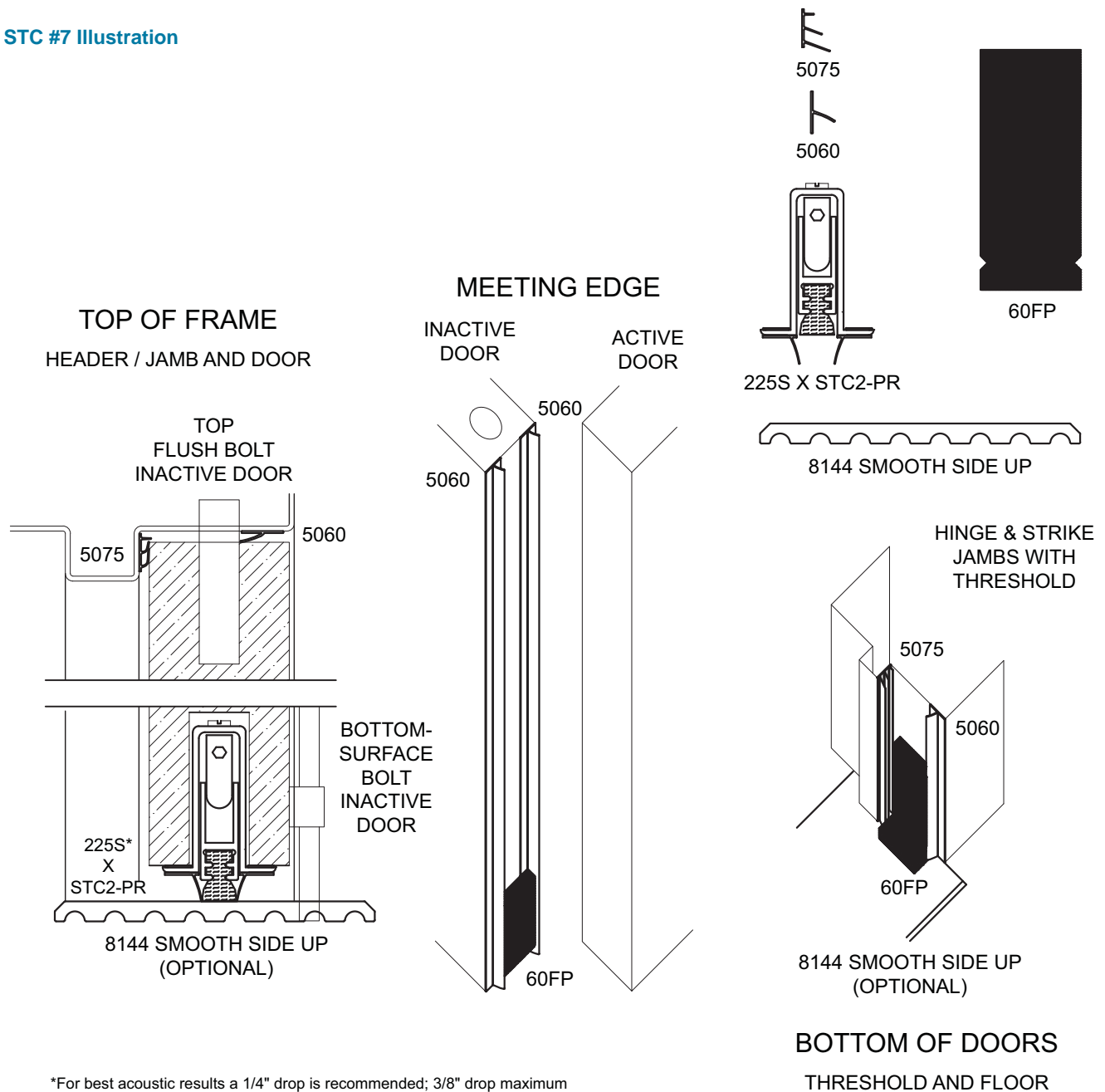


STC Seal Sets - Pairs of Doors

STC Seal Set	STC Rating	Perimeter Seals at Heads & Jambs	Door Bottom	Corner Pads	Meeting Edge Seals	Threshold
7	45	5075 & 5060	225S X STC2-PR	60FP (3 req.)	5060 (2 req.)	8144S*
8	45	5075 & 5060	12T6 X STC-FH	60FP (3 req.)	5060 (2 req.)	8144S*
9	45	5075 & 5060	335S X STC2-PR	60FP (3 req.)	5060 (2 req.)	8144S*

*optional

STC #7 Illustration



*For best acoustic results a 1/4" drop is recommended; 3/8" drop maximum

Sound Transmission Class (STC) Rated Pairs of Doors

Pairs of doors are intrinsically more difficult to control sound transmission through. Sealing the gap between the meeting edges under the doors is challenging, requiring a combination of properly coordinated and installed gasketing to seal all gaps.

STC Rating Static Door Panel	STC Rating Operable Door w/ Gasketing	Perimeter Seals	Door Bottom	Threshold	Astragal
35	35	5020		896S	5070
35	35	5070		896S	5070
35	34	5020	780S	512	5070
35	33	5025		896S	5070

Standard Doors without Special Acoustic Cores

Solid core wood doors with gasketing test to an STC rating of approximately 28 to 30. Mineral core wood doors and Honey comb core hollow metal doors with gasketing test to an STC rating of approximately 32 to 36. Without gasketing these doors have no sound control and test to an STC rating between 15 and 20.

To most effectively reduce sound transmission and maximize the acoustic performance we recommend the following be used:

PERIMETER AND DOOR BOTTOMS

- 107S Perimeter Seal
- 700S Seal at head if a parallel arm closer is used
- 220S Automatic Door Bottom
- Any Threshold - To allow proper sealing of Automatic Door Bottom

MEETING EDGE of PAIRS

- 109N Overlapping Astragal
- 5070 Adhesive Astragal
- 115N Astragal Set

School Classroom Door STC Requirements

ANSI/ASA S12.60 Acoustical Performance Criteria, Design Requirements, and Guidelines for schools requires interior doors opening into core learning spaces to achieve STC 30 or greater in their operable condition and interior doors into music rooms at least STC 40.

ANSI/BHMA 

The following interprets ANSI/BHMA numbers which identify type and function of products. For products that meet ANSI/BHMA Standards, look for the BHMA certified logo next to the product in our catalog. For a complete listing refer to the BHMA Certified Products Directory, available online at www.buildershardware.com

ANSI/BHMA A156.22
American National Standard for Door Gasketing and Edge Seal Systems

1 Product Section	2 Retainer Material	3 Gasketing Material	4 Product Type	5 Material Application	6 Gasketing Rating	
"R" designates Gasketing	1. Brass or Bronze 3. Aluminum 5. Stainless Steel 0. Optional material or none used	A. Brush B. Neoprene, solid C. Neoprene, closed cell D. Vinyl E. Silicone Rubber F. Pile G. Thermoplastic Elastomer (TPE) H. Thermoplastic Urethane (TPU) J. Thermoplastic Rubber K. Spring Metal L. Magnetic M. Felt N. Rubber Fabric P. Intumescent Q. Intumescent/Brush R. Intumescent	/Neoprene, solid S. Intumescent /Neoprene, closed cell T. Intumescent/ Vinyl U. Intumescent / Silicone Rubber V. Intumescent/ Pile W. Intumescent / Thermoplastic Elastomer (TPE) X. Intumescent / Thermoplastic Urethane (TPU) Y. Optional material or none used Z Intumescent / Thermoplastic Rubber	1. Head & Jamb 2. Head & Jamb, Adjustable 3. Automatic Door Bottom 4. Door Sweep or Shoe 5. Door Sweep or Shoe with Drip Cap 6. Astragal 7. Astragal Split or Compensating 8. Astragal Adjustable 9. Rain Drip without gasket 0. Other	1. Door Edge 2. Door Edge, Mortise 3. Door Face 4. Door Face, Semi-Mortise 5. Frame Rabbet (surface or mortise) 6. Frame Soffit (H.M.) 7. Frame Face 8. Kerf 9. Stop (H.M.), Stop Face (WD) 0. Other	0. Smoke/Energy Performance/ Acoustic Rated 1. Smoke/Energy Performance rated. 2. Smoke/Acoustic Rated 3. Energy Performance/ Acoustic Rated 4. Smoke Rated 5. Energy performance Rated 6. Items not rated. 7. Acoustic Rated

Buy American Requirements

Buy American Act

Over 99% of our products are produced in the United States as a domestic construction material, as defined in the Buy American Act (BAA) of March 1933 and amended by the Buy American Act of 1988 and FAR 52.225-9. A Buy American certificate may be obtained on our website www.ngp.com

Federal American Recovery and Reinvestment Act

More than 99% of our products qualify as manufactured products produced in the United States as manufactured goods, as defined in OMB Guidance (176.140; 176.70(a) (2) (ii); 176.160, complying with the Federal American Recovery Reinvestment Act, ARRA-2009. Contact us for a Buy America ARRA certificate for your project.

Buy America

More than 99% of our products comply with Buy America Requirements of 49 U.S.C. 5323(j)(1), and the applicable regulations in 49 CFR part 661. Contact us for a Certificate of Compliance for your project.

Components of unknown origin are considered to have been produced or manufactured outside the United States.

The International Building Code (IBC)

The International Building Code (IBC) requires swinging fire doors to be tested in accordance with ANSI/UL 10C or NFPA 252, with the neutral pressure level established at 40 inches or less above the sill. This causes “positive pressure” forces against the door assembly above 40 inches.

The result is hot gases and smoke leak out between the door and frame above this level, posing a serious threat to life-safety; and on wood doors rapidly deteriorating the integrity of the door edges, requiring either a built-in or supplemental “edge sealing system” to pass the test.

Fire door assemblies in corridors and smoke barrier walls are required to be smoke and draft control assemblies tested in accord with UL1784 allowing a maximum air leakage of 3 cubic feet per minute per square foot of door opening at ambient temperature (75°F) and elevated temperature (400°F). These assemblies require the letter “S” on the fire rating label of the door indicating compliance “when listed or labeled gasketing is also installed.”

Fire doors are classified into category **A** or **B** based upon their construction and edge sealing system requirements. Fire-rated gasketing is classified as follows:



Category G - Edge Sealing Systems



Category H - Smoke and Draft Control Gasketing



Category J - Gaskets other than Category G or H.

Category A classified fire doors:

Hollow Metal Fire-Rated Doors
Wood Fire-Rated Doors constructed with edge seals built-in during the manufacturing process.

Require Category H – Smoke and Draft Control Gasketing at **perimeter** and at **meeting edge of pairs** of “S” label doors in corridor locations or smoke barrier walls.

Require Category H – Smoke and Draft Control **door bottom seals** on “S” label doors where pressurization is provided to restrict smoke movement (typically controlled by HVAC system).

The following products are recommended UL classified Category H for wood doors - 90 min. max., hollow metal doors - 3 hour max.



Perimeter: 2525, 5020, 5025, 5040, 5050, 5070, 5075



Meeting edge of pairs: 115N, 125N, 137N, 137S, 5070, 9115, 9125, 9600, 9605

Category B classified fire doors:

Wood Fire-Rated Doors that require the addition of a Category G classified edge sealing system in the field.

Require Category G – Edge Sealing System, at **perimeter** and at **meeting edge of Pairs**.

Require Category H – Smoke and Draft Control Gasketing at **perimeter** and at **meeting edge of pairs** of “S” label doors in corridor locations or smoke barrier walls.

Require Category H – Smoke and Draft Control **door bottom seals** on “S” label doors where pressurization is provided to restrict smoke movement (typically controlled by HVAC system).

The following products are recommended UL classified for both category G and H:

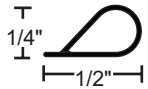


Perimeter 20 minute: 5050
Perimeter 45, 60, 90 minute: 9450, 9550, 9750, 9850



Meeting edge of pairs: 9550

Self-Adhesive Silicone Gasketing



- 5050B** Brown
- 5050C** Charcoal
- 5050W** White
- 5050T** Tan
- 5050CL** Clear

Available in 17', 20', 21', 25' and 300' rolls

*Clear not available in 21'

Silicone Bulb Fire and Smoke Seal



Edge Sealing System - Category "G" for 20 minute rated category B wood doors perimeter application up to:

- single swing 4'0 x 8'0
- pairs 8'0 x 8'0
- use 9550 at the meeting edge of pairs

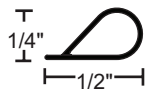
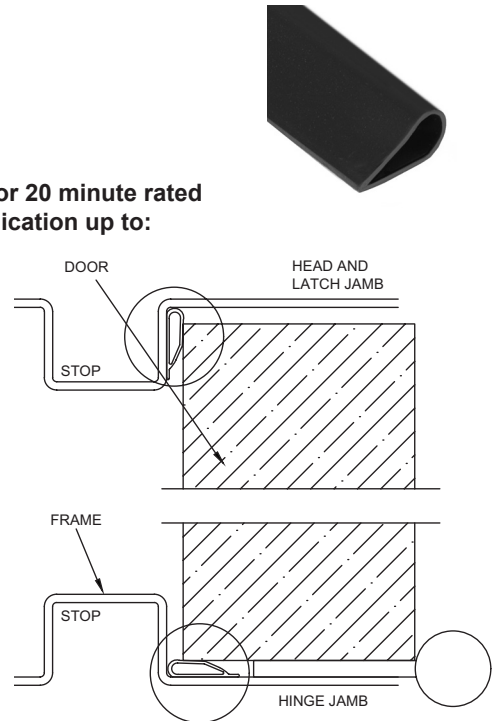


Smoke and Draft Control - Category "H"
Up to 3 hours Hollow Metal fire doors
Up to 90 minutes Wood fire doors



Meets requirements of RoHS Directive

See adhesive specifications on page G9



- ANTI-LIG 5050B** Brown
- ANTI-LIG 5050C** Charcoal
- ANTI-LIG 5050W** White
- ANTI-LIG 5050CL** Clear

Available per foot (bulk) or in stock length 300' rolls.

Anti-ligature Silicone Bulb Fire and Smoke Seal

5050 silicone bulb seal available with serrations every 8" designed to break apart preventing it from being used to hang or strangle.

Applications include psychiatric facilities, prisons and other treatment facilities.

Installs as a continuous length providing the same sealing properties for light, sound, air and smoke as our original 5050.



Edge Sealing System - Category "G" for 20 minute rated category B wood doors perimeter application up to:

- single swing 4'0 x 8'0
- pairs 8'0 x 8'0
- use 9550 at the meeting edge of pairs

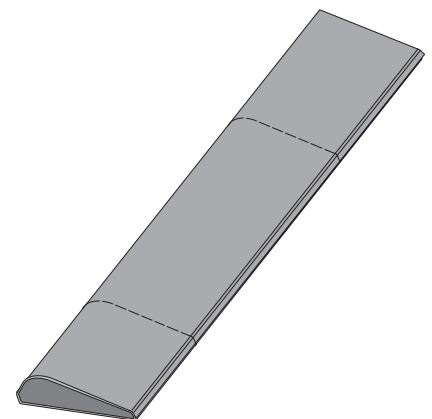


Smoke and Draft Control - Category "H"
Up to 3 hours Hollow Metal fire doors
Up to 90 minutes Wood fire doors

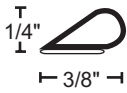


Meets requirements of RoHS Directive

See adhesive specifications on page G9



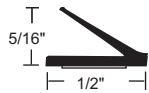
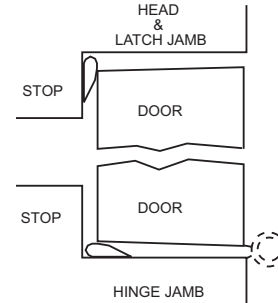
Self-Adhesive Silicone Gasketing



- 2525B** Brown
- 2525C** Charcoal
- 2525W** White

Silicone Bulb Smoke Seal

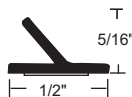
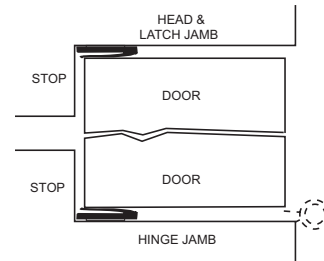
Available in 17', 20', 25' and 300' rolls.



- 5040B** Brown

Silicone Fin Smoke Seal

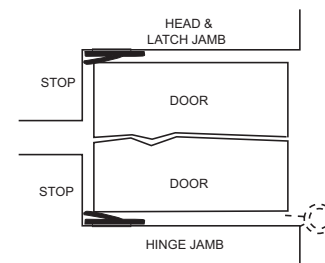
Available in 17', 20', 25', 300' rolls



- 5060B** Brown
- 5060C** Charcoal
- 5060CL** Clear

Silicone Fin Smoke Seal

Available in 17' and 21' rolls.



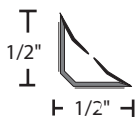
Adhesive specifications: Modified acrylic pressure sensitive adhesive protected by release liner. Provides high initial adhesion and long term holding power for permanent mounting in exterior or interior locations. Resistant to aging, weathering, UV radiation, water, detergent, alcohol and the influence of chemicals. End use temperature range, long term exposure -30°F up to 250°F. Shelf life of adhesive prior to installation is one year when stored at 75°F and 50% relative humidity or less.

Self-Adhesive TPE Gasketing

Properties:

- Thermo-Plastic Elastomer (TPE)
- Good abrasion resistance
- Moisture resistant
- BHMA certified to ANSI/BHMA A156.22 performance tests for heat, cold, air infiltration and smoke infiltration
- Adhesive specifications shown on page G9
- Rigid base with flexible elastomeric fins
- Flame resistant
- Temperature range -60°F to 275°F
- Anti-microbial: treated with an anti-microbial additive to inhibit the growth of microorganisms
- REACH and RoHS compliant

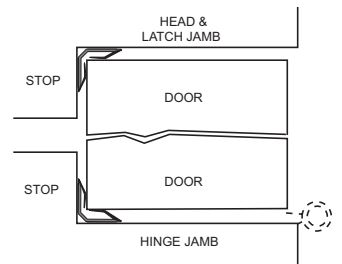
TPE Batwing Smoke Seal



- 5020B** Brown
- 5020C** Charcoal
- 5020W** White
- 5020CL** Clear

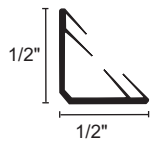


Available in 36", 48", 72", 84", 96" and 108" lengths



TPE Double Batwing Smoke Seal

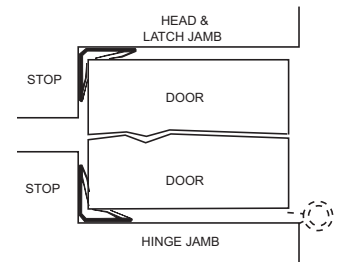
Superior sealing characteristics against smoke, air & sound



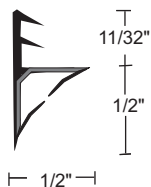
- 5025B** Brown
- 5025C** Charcoal
- 5025W** White
- 5025CL** Clear



Available in 36", 48", 72", 84", 96" and 108" lengths



TPE Batwing Smoke Seal (Kerf Press-in)

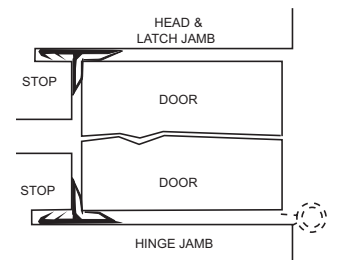



- 5021B** Brown
- 5021C** Charcoal
- 5021W** White



Fits Kerf 1/8" wide x 7/16" deep

Available in 36", 48", 84", 96" and 108" lengths

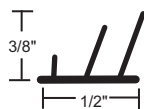


 * Anti-microbial not available in clear

Self-Adhesive TPE Gasketing

Properties:

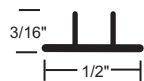
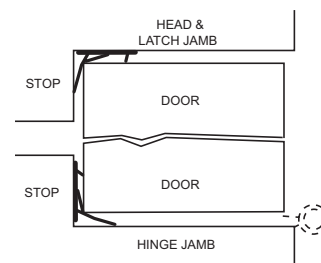
- Thermo-Plastic Elastomer (TPE)
- Good abrasion resistance
- Moisture resistant
- BHMA certified to ANSI/BHMA A156.22 performance tests for heat, cold, air infiltration and smoke infiltration
- Adhesive specifications shown on page G9
- Rigid base with flexible elastomeric fins
- Flame resistant
- Temperature range -60°F to 275°F
- Anti-microbial: treated with an anti-microbial additive to inhibit the growth of microorganisms
- REACH and RoHS compliant



5075B Brown
5075C Charcoal
5075CL Clear



Available in 36", 48", 72", 84", 96" and 108" lengths



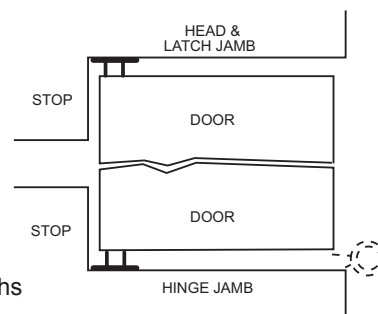
TPE Double Shark Fin Smoke Seal


Smoke rated for perimeter and/or meeting edge astragal applications

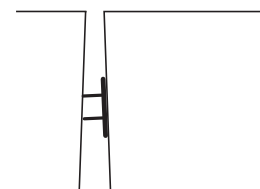
5070B Brown
5070CL Clear



Available in 36", 48", 72", 84", 96" and 108" lengths



 * Anti-microbial not available in clear



Astragal application
pair of doors

Self-Adhesive Gasketing

Adhesive bonds for permanent mounting once installed

Shelf life of adhesive products prior to installation is one year

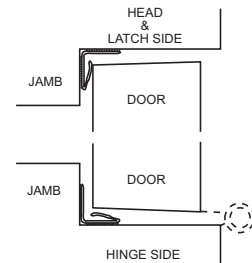
Rigid Black Vinyl Seal

PF180



*up to 3 hours metal doors, 60 minute wood doors

Available in 36", 48", 86", 96" & 120" lengths



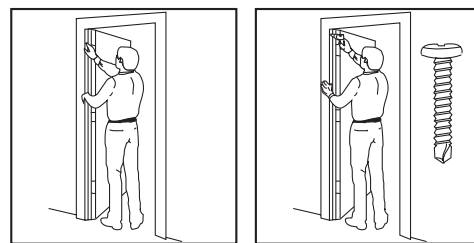
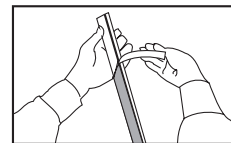
"FATT"

Fast Attach Two-Way Tape

Fast attach two way tape provides an easy and effective alternative for gasketing installation. Two way tape is applied to the metal housing insuring a quick and easy installation. Then for security, 3 tek-type self drilling screws are provided to further secure each piece of material to the frame stop. A no problem installation with no holes to drill.

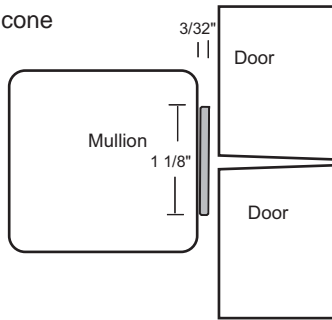
To order add suffix "FATT" to product number. See price list for products available with this feature.

FATT IS NOT CLASSIFIED FOR USE ON FIRE DOORS.



Seal for Mullion Applications

5100N Black Silicone
5100S Gray Silicone



Closed cell silicone sponge strip 1-1/8" wide x 3/32" thick with an adhesive strip for mounting directly to the face of the mullion that doors close against.



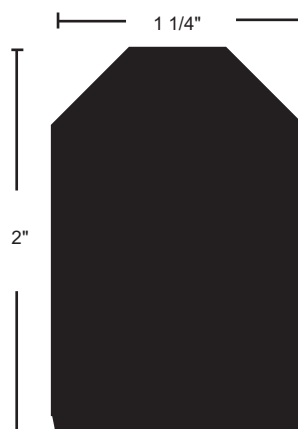
Available in 86" and 96" lengths

Self-Adhesive

See adhesive specifications on page G9

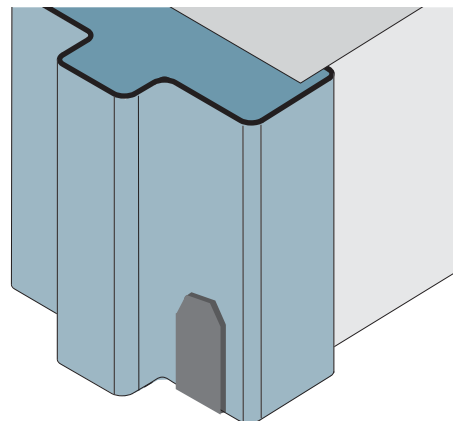
Corner Pad

54CP Black polypropylene pile

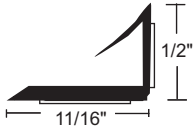


Helps acoustics and seals corner gap for air leakage control. Apply to jamb on hinge side, opposite bottom corner of door edge.

Self-Adhesive



NGP-Edge® Sealing System/Smoke and Draft Control Gasketing Category “G” and “H” Classified



9450B Brown
9450C Charcoal



Intumescent with TPE Fin Fire and Smoke Seal



20, 45, 60, 90 minute rated category B wood doors perimeter application up to:

single swing 4'0 x 9'0

standard pair 8'0 x 9'0 use 9550 at the meeting edge

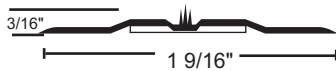
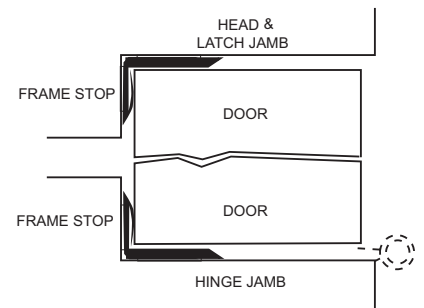


1/8" clearance required between door and frame

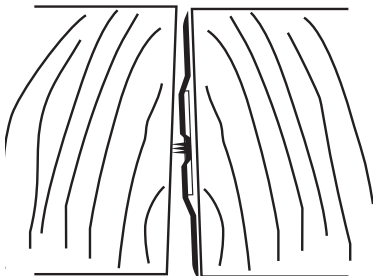
Available in 36", 48", 84", 96" and 108" lengths

Self-Adhesive

See adhesive specifications on page G9



9550 Gray
9550DKB Brown



NGP-Edge® Intumescent with TPE Fins Fire and Smoke Seal



20, 45, 60, 90 minute rated category B wood doors up to:

single swing 4'0 x 9'0, perimeter application

pairs 8'0 x 9'0, perimeter/meeting edge

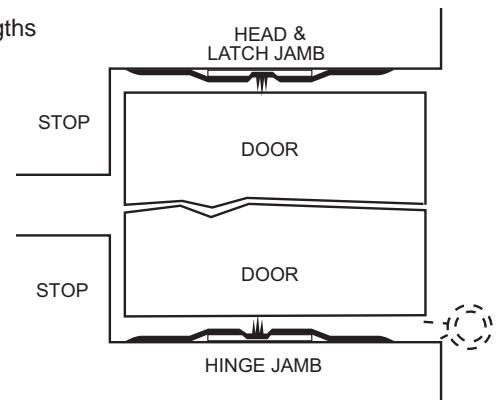


1/8" clearance required between doors and between door & frame

Available in 36", 48", 84", 96" and 108" lengths

Self-Adhesive

See adhesive specifications on page G9



NGP-Edge® Sealing System/Smoke and Draft Control Gasketing Category 'G' and 'H' Classified



9850B Brown
9850C Charcoal



9750B Brown
9750C Charcoal

Intumescent with TPE Fire and Smoke Seal



20, 45, 60, 90 minute rated category B
wood doors perimeter application up to:
single swing 4'0 x 9'0
pairs 8'0 x 9'0

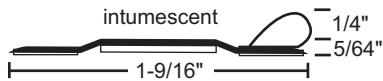


1/8" clearance required between door and frame

Available in 36", 48", 84", 96" and 108" lengths

Self-Adhesive

See adhesive specifications on page G9



9500DKB x 2525B Brown
9500 x 2525B Gray x Brown
9500 x 2525W Gray x White



20, 45, 60, 90 minute rated category B
wood doors perimeter application up to:
single swing 4'0 x 9'0
pairs 8'0 x 9'0

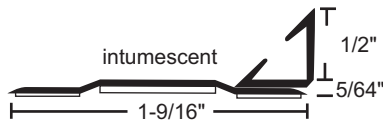


1/8" clearance required between door and frame

Available in 36", 48", 84", 96" and 108" lengths

Self-Adhesive

See adhesive specifications on page G9



9500DKB x 5020B Brown
9500 x 5020B Gray x Brown



NGP-Edge® Sealing Systems - Category 'G' Classified

NGP Intumescent materials are formulated to expand at 375°F to 400°F up to 8-10 times their original thickness; completely sealing the gap around and between doors during a fire.



- 9800B** Brown
- 9800C** Charcoal
- 9800W** White

Intumescent with Protective Skin

Available in 17', 21' and 150' rolls

Self-Adhesive

See adhesive specifications on page G9



Intumescent Fire Seal

Perimeter Application:



20, 45, 60, 90 minute rated category B wood doors up to

single swing 4'0 x 9'0

pairs 8'0 x 9'0

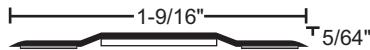
Meeting Edge Application up to 8'0 x 9'0 pairs of category B wood doors:



20 Minute rated with single strip installed



45, 60 Minute rated with two strips installed



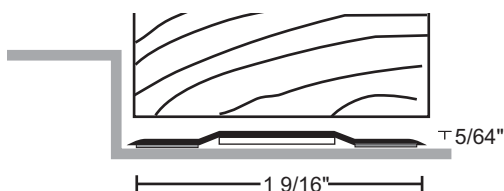
- 9500** Gray
- 9500DKB** Brown

Intumescent with PVC cover

Available in 36", 48", 84", 96" and 108" lengths

Self-Adhesive

See adhesive specifications on page G9



NGP-Edge® Intumescent Fire Seal

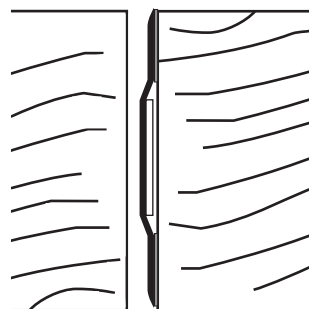


20, 45, 60, 90 minute rated category B wood doors up to:

single swing 4'0 x 9'0, perimeter application

pairs 8'0 x 9'0, perimeter/meeting edge

U.S. Pat. DES 417,739



1/8" clearance required between doors and between door and frame

Vinyl Seals

Properties

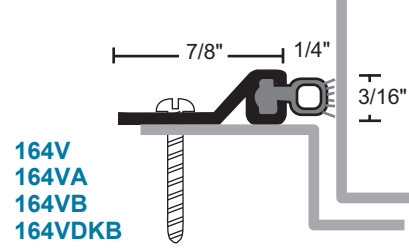
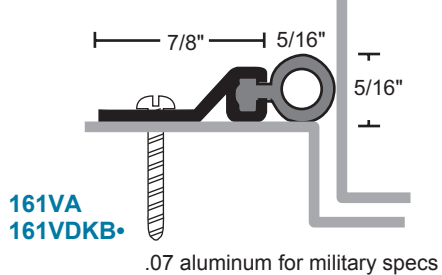
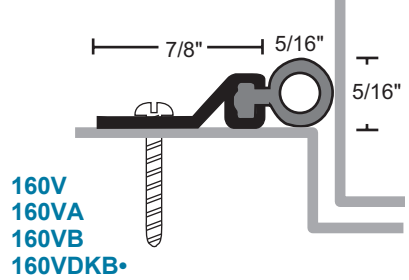
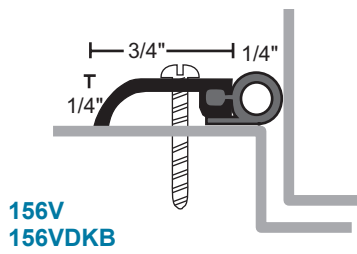
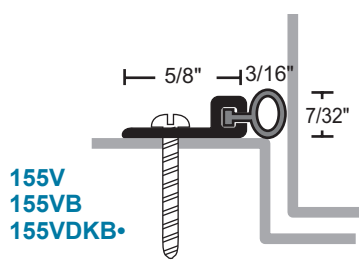
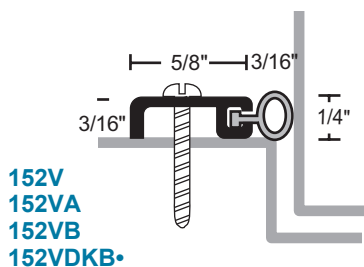
- Thermoplastic polymer: Polyvinyl Chloride formulated with an environmentally friendly Bio-based plasticizer
- Economical
- Flame resistant
- Moisture resistant
- Temperature range 0°F to 140°F
- Oxidative degradation from age and exposure to Cold, Heat and UV causes hardening, loss of memory and resilience, cracking, crazing and discoloration

All vinyl seals this section



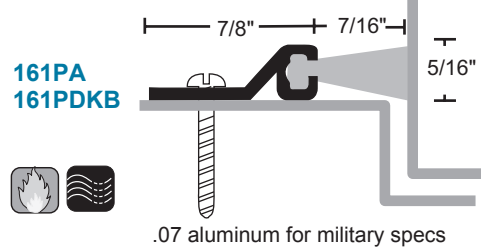
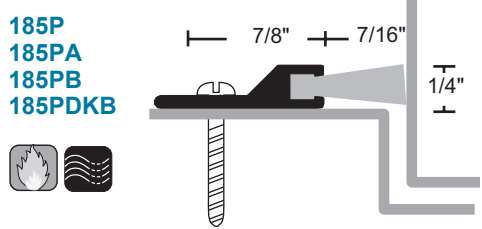
A - anodized aluminum
B - gold
DKB - dark bronze
 no suffix - mill aluminum
 vinyl is gray
 exception: •vinyl is black

#6 x 3/4" Stainless Steel Sheet Metal Screws furnished
 Screw holes slotted for adjustment



Polypropylene Pile Seals

Temperature range 32°F to 275°F
 Pile is gray



Neoprene Sponge Seals

Properties:

- Synthetic rubber polymer blend: PVC, Nitrile rubber (NBR), and Chloroprene closed cell advanced elastomeric foam
- Very good abrasion resistance, tensile strength and memory
- Flame resistant
- Moisture resistant
- Temperature range -20°F to 200°F
- Good resistance to ozone, sunlight and aging
- BHMA Certified to ANSI/BHMA A156.22 performance tests for Heat, Cold, Air Infiltration and Smoke Infiltration

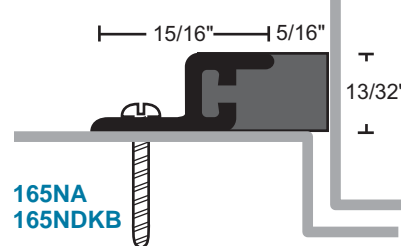
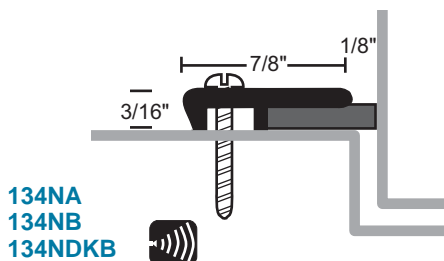
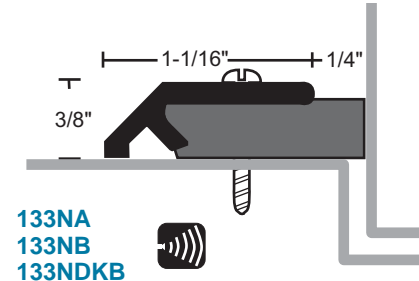
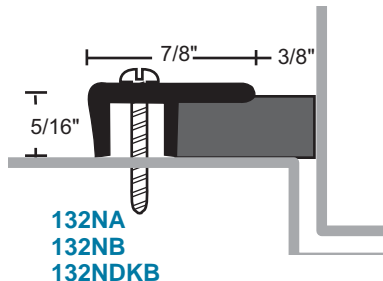
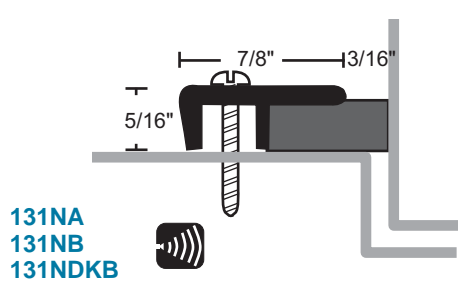
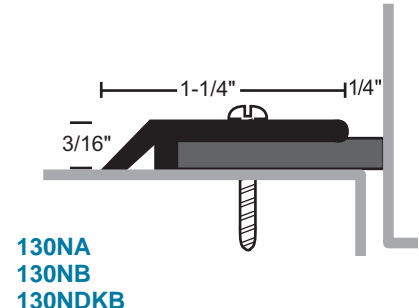
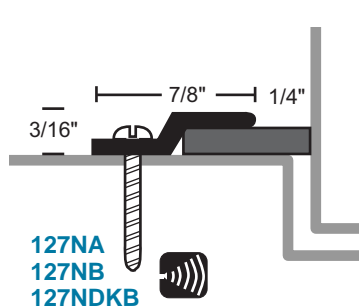
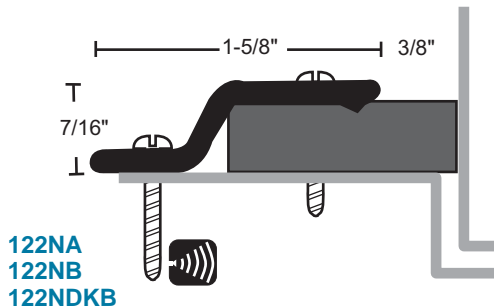
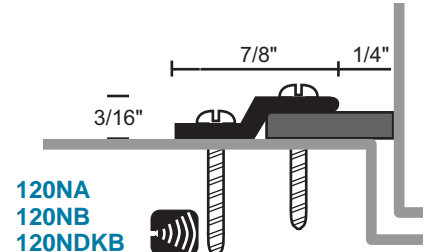
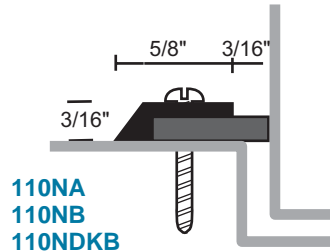
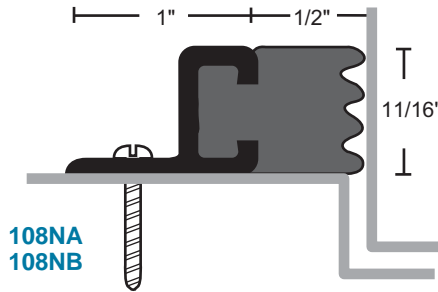
#6 x 3/4" Stainless Steel Sheet Metal Screws furnished.
Screw holes slotted for adjustment

All products this page



A - anodized aluminum
B - gold
DKB - dark bronze
neoprene is black

Closed Cell Sponge



Neoprene Bulb Seals

Properties:

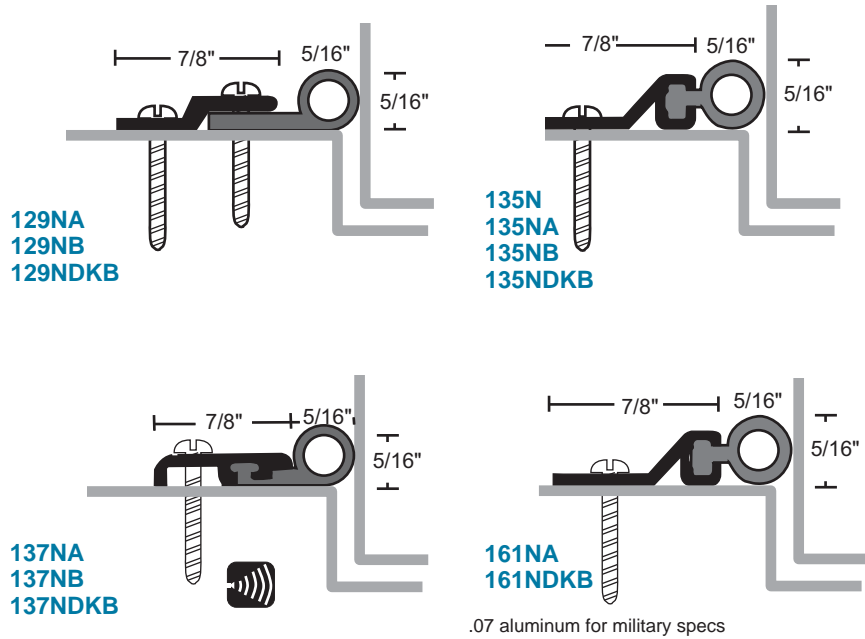
- Synthetic rubber polymer blend: Chloroprene and EPDM
- Very good abrasion resistance, tensile strength and memory
- Flame resistant
- Moisture resistant
- Temperature range -20°F to 200°F
- Good resistance to ozone, sunlight and aging
- BHMA Certified to ANSI/BHMA A156.22 performance tests for Heat, Cold, Air Infiltration and Smoke Infiltration

#6 x 3/4" Stainless Steel Sheet Metal Screws furnished
Screw holes slotted for adjustment

All neoprene seals this section



Dense Bulbs

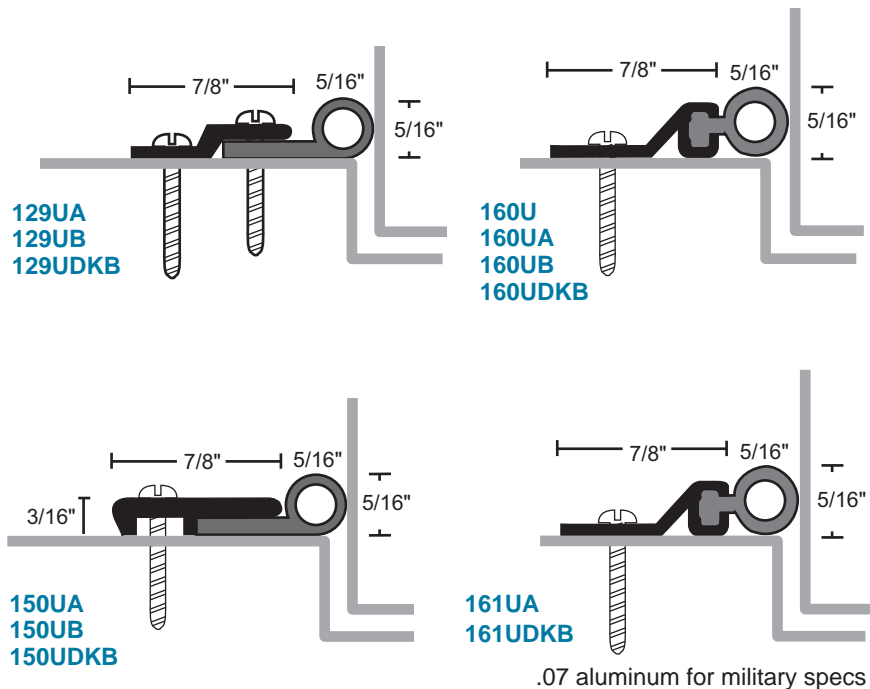


Polyurethane Seals

Properties:

- Very good abrasion resistance, tensile strength, memory and UV resistance
- Flame resistant
- Moisture resistant
- Temperature range -65°F to 175°F

#6 x 3/4" Stainless Steel Sheet Metal Screws furnished
Screw holes slotted for adjustment



All polyurethane seals this section



- A - anodized aluminum
- B - gold
- DKB - dark bronze
- no suffix - mill aluminum
- neoprene is black
- polyurethane is black

Silicone Seals

Properties:

- Synthetic rubber polymer: Siloxane closed cell sponge
- Excellent flexibility and memory
- Flame resistant
- Moisture resistant
- Temperature range -100°F to 500°F, remains flexible at extreme temperatures
- Excellent resistance to ozone, UV and aging
- Recommended for areas using FM200 or Halon Fire Suppression Systems
- BHMA Certified to ANSI/BHMA A156.22 performance tests for Heat, Cold, Air Infiltration and Smoke Infiltration

#6 x 3/4" Stainless Steel Sheet Metal Screws furnished
Screw holes slotted for adjustment

All products this page



A - anodized aluminum

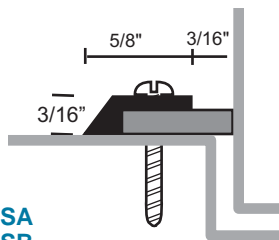
B - gold

DKB - dark bronze

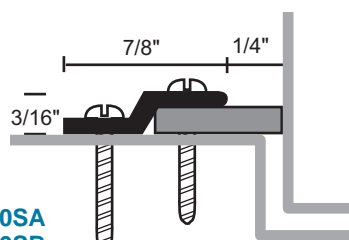
no suffix - mill aluminum
silicone sponge is gray



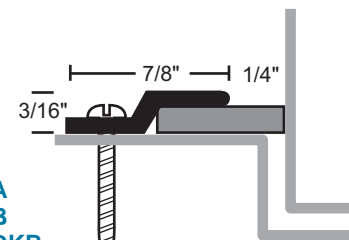
Closed Cell Sponge



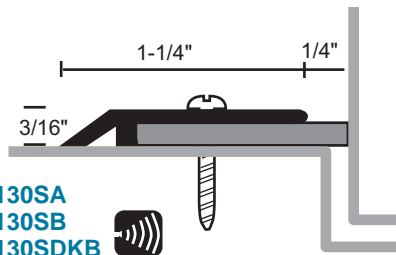
110SA
110SB
110SDKB



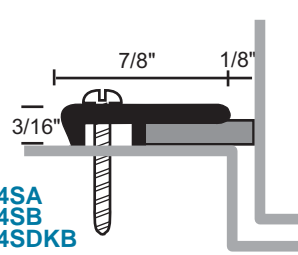
120SA
120SB
120SDKB



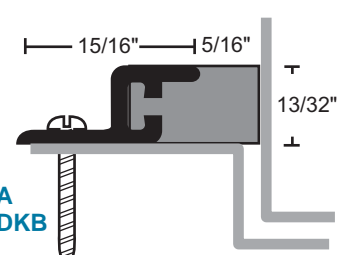
127SA
127SB
127SDKB



130SA
130SB
130SDKB



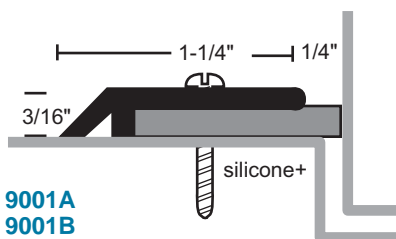
134SA
134SB
134SDKB



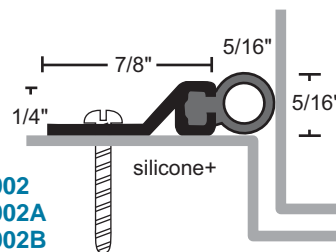
165SA
165SDKB

Silicone Plus

Specially formulated to withstand greater temperature extremes while providing maximum protection against air infiltration. Silicone Plus gasket material is tan.



9001A
9001B
9001DKB



9002
9002A
9002B
9002DKB

Silicone Seals

Properties:

- Synthetic rubber polymer: Siloxane
- Excellent flexibility and memory
- Flame resistant
- Moisture resistant
- Temperature range -100°F to 500°F, remains flexible at extreme temperatures
- Excellent resistance to ozone, UV and aging
- Recommended for areas using FM200 or Halon Fire Suppression Systems
- BHMA Certified to ANSI/BHMA A156.22 performance tests for Heat, Cold, Air Infiltration and Smoke Infiltration

#6 x 3/4" Stainless Steel Sheet Metal Screws furnished
Screw holes slotted for adjustment

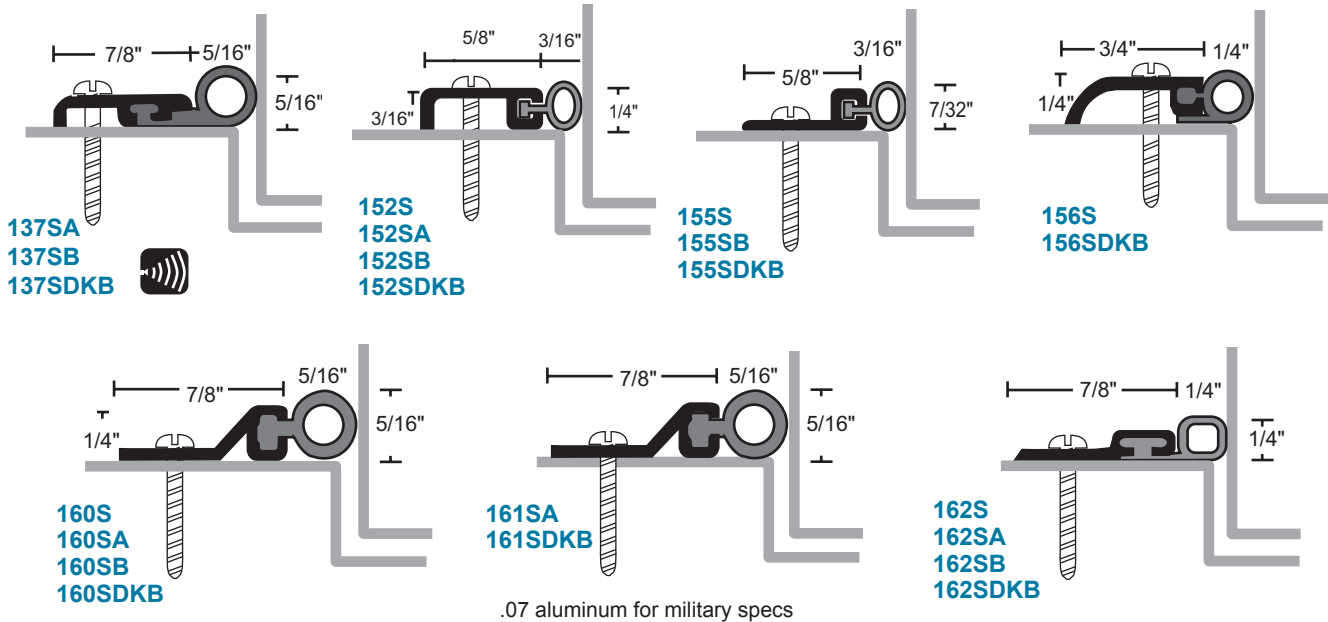
All silicone seals this section



- A** - anodized aluminum
- B** - gold
- DKB** - dark bronze
- no suffix** - mill aluminum
- dense silicone is black
- exception: 137 silicone is gray



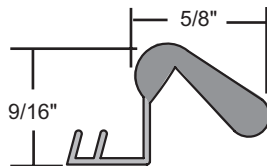
Dense Bulbs



E-Lon® Foam Seals

TPE foam Core with Brown UV resistant skin

Kerf Application
Fits 1/8" wide x
7/16" deep kerf



284Q

Stock lengths: 36", 48", 96", 120"



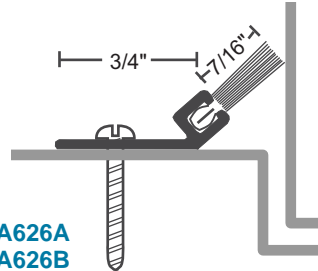
Nylon Brush Seals

Properties:

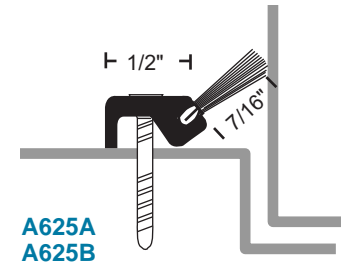
- Synthetic polymer: Polyamide
- Excellent abrasion resistance, flexibility and memory
- Moisture resistant
- Retains insecticides well
- Temperature range -70°F to 425°F
- BHMA Certified to ANSI/BHMA A156.22 performance tests for Heat, Cold, Air Infiltration and Smoke Infiltration in most common profiles as indicated by BHMA Certified symbol
- REACH and RoHS compliant
- Not effective against water penetration

#6 x 3/4" Stainless Steel Sheet Metal Screws furnished
Screw holes slotted for adjustment

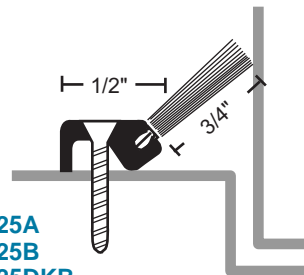
A - anodized aluminum with gray brush
B - gold with black brush
DKB - dark bronze with black brush
no suffix - mill aluminum with gray brush



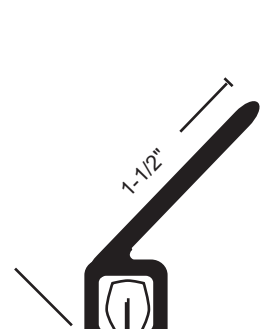
A626A
A626B
A626DKB



A625A
A625B
A625DKB



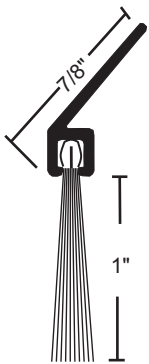
F625A
F625B
F625DKB



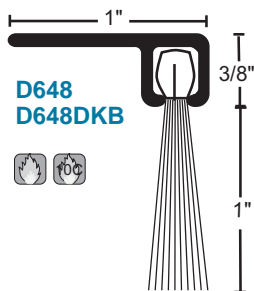
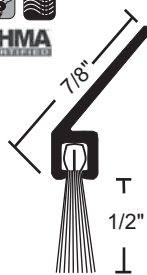
I-624A
I-624DKB



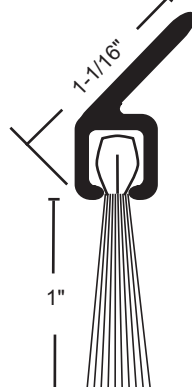
603A
603DKB



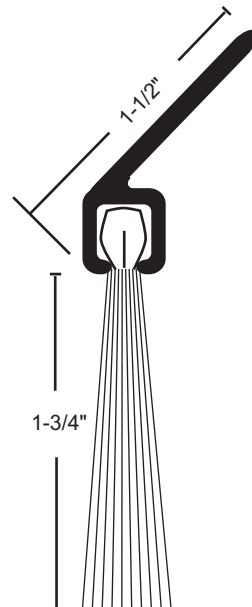
602A
602DKB



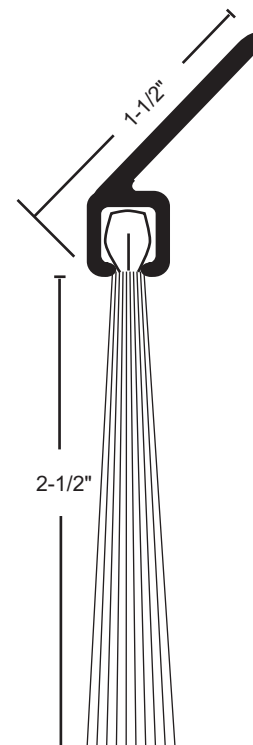
D648
D648DKB



D620A
D620B
D620DKB



G622A
G622DKB



H623A
H623DKB

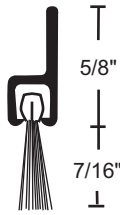


* up to 3 hours metal doors,
1 hour wood doors.

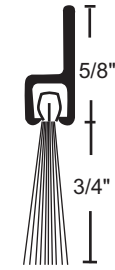
Nylon Brush Seals



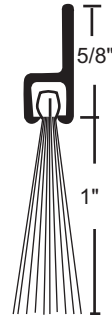
#6 x 3/4" Stainless Steel Sheet Metal Screws furnished. Screw holes slotted for adjustment.



A605A
A605B
A605DKB



OV634A
OV634B
OV634DKB



OV633A
OV633B
OV633DKB



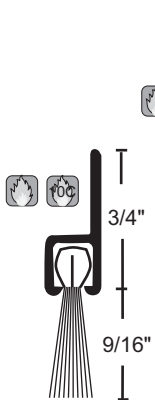
B606A
B606B
B606DKB



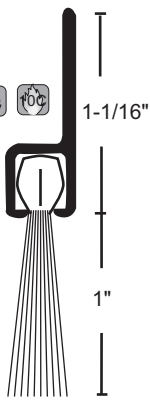
600
600A
600B
600DKB



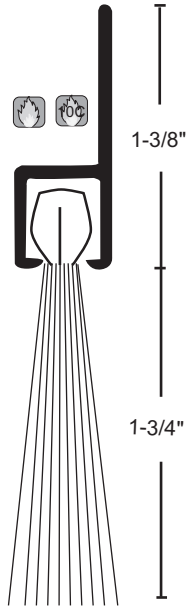
601
601A
601B
601DKB



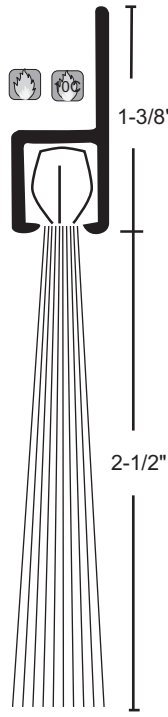
C607A
C607B
C607DKB



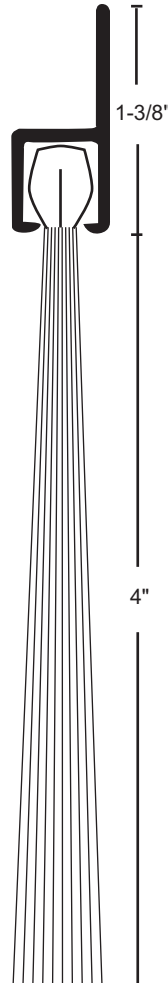
D608A
D608B
D608DKB



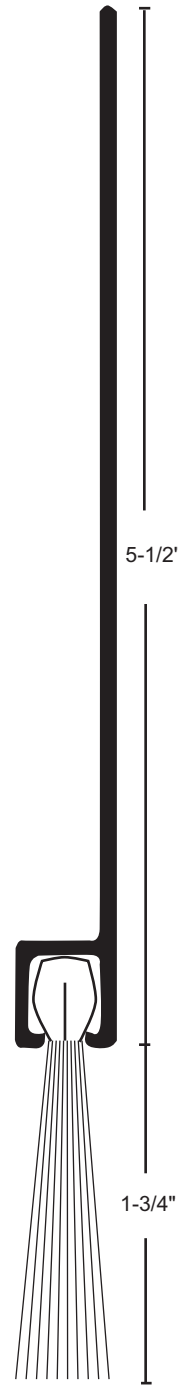
G610A
G610B
G610DKB



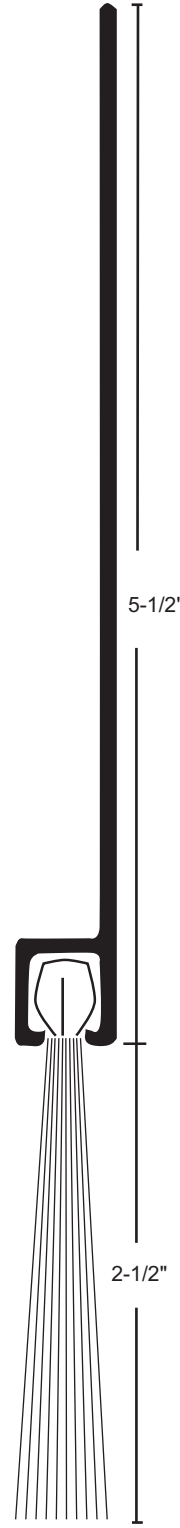
H612A
H612B
H612DKB



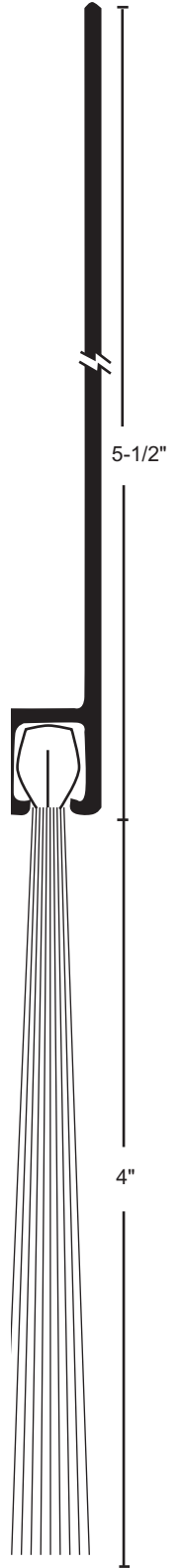
I-615A
I-615B
I-615DKB



G611A
G611DKB

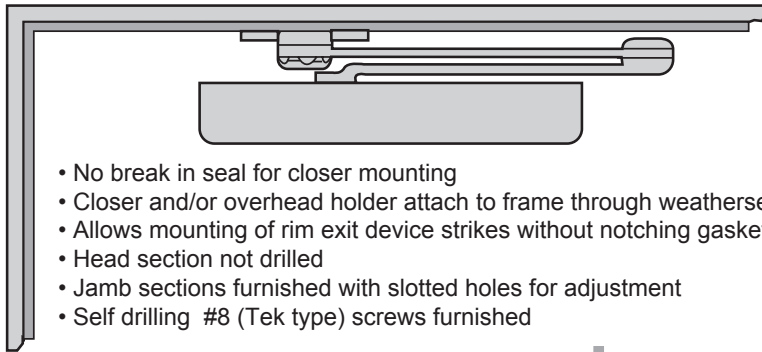


H614A
H614DKB



I-616A
I-616DKB

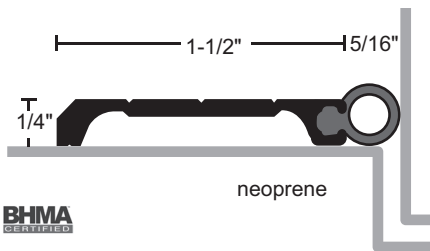
Perimeter Seals Compatible with Parallel Arm Closers



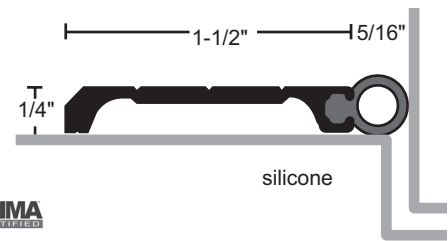
- No break in seal for closer mounting
- Closer and/or overhead holder attach to frame through weatherseal section. Install seal first
- Allows mounting of rim exit device strikes without notching gasketing
- Head section not drilled
- Jamb sections furnished with slotted holes for adjustment
- Self drilling #8 (Tek type) screws furnished

A - anodized aluminum
B - gold
DKB - dark bronze
no suffix - mill aluminum
vinyl & pile are gray
neoprene, silicone, & polyurethane are black, silicone+ is tan

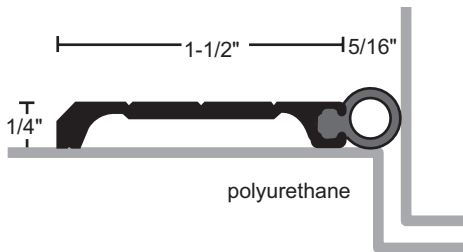
700EN
700ENDKB



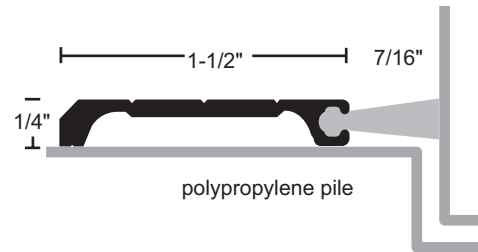
700ES
700ESDKB



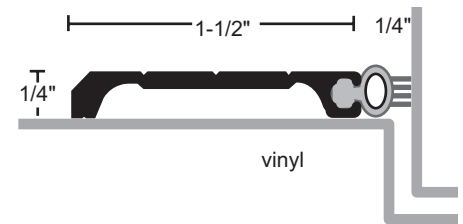
700EU
700EUDKB



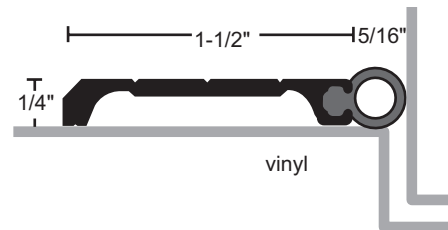
701EP
701EPDKB



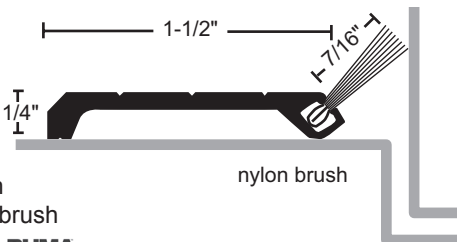
704EV
704EVDKB



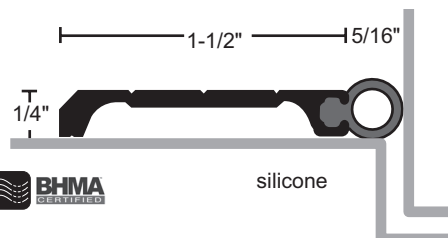
705EV
705EVDKB



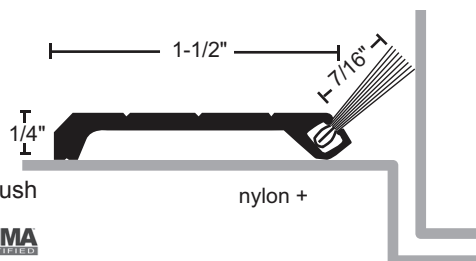
706E - gray brush
706EDKB - black brush



9700E
9700EDKB

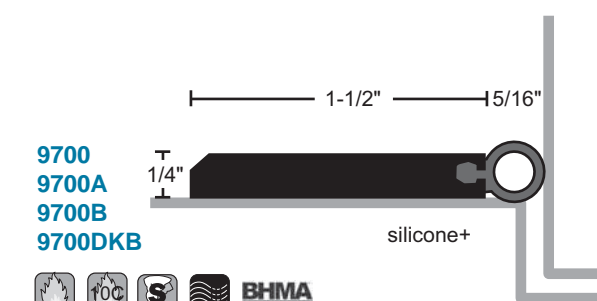
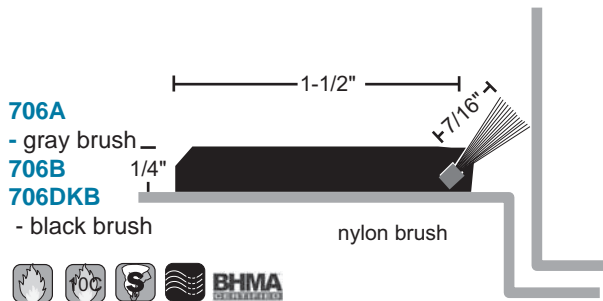
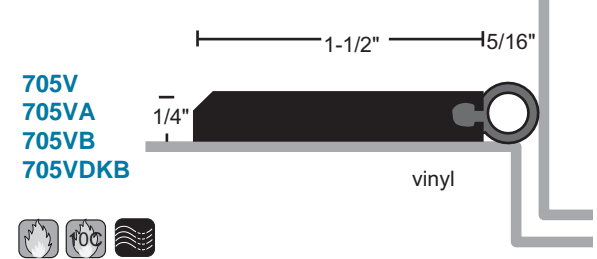
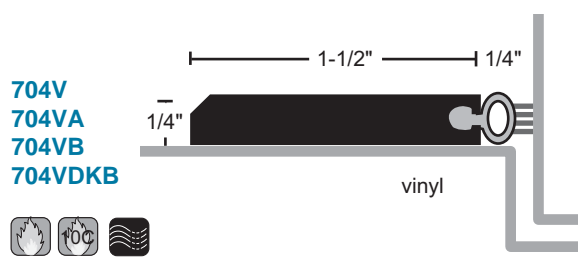
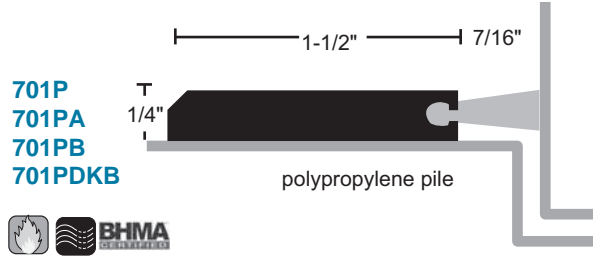
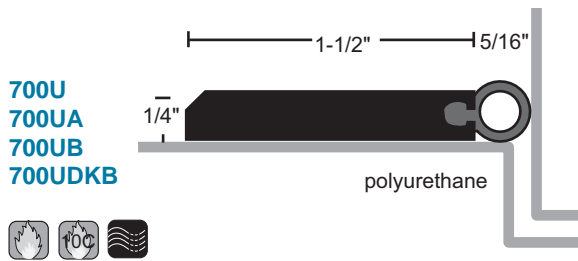
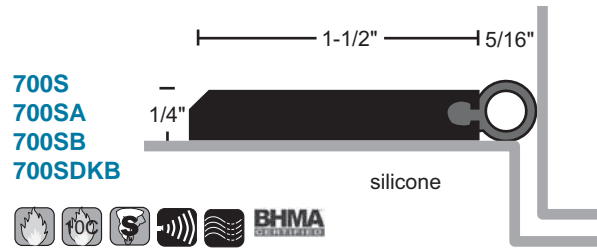
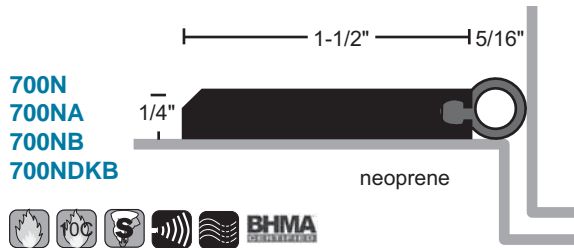


9706E - gray brush
9706EDKB - black brush



Perimeter Seals Compatible with Parallel Arm Closers

Profiles on this page may be cut to fit narrow frame stops at additional charge. Specify "cut to width" on order.



Concealed Fastener Seals

Snap-on cover conceals screw heads for clean appearance

#6 x 3/4" Stainless Steel Sheet Metal Screws furnished
Screw holes slotted for adjustment

A - anodized aluminum

B - gold

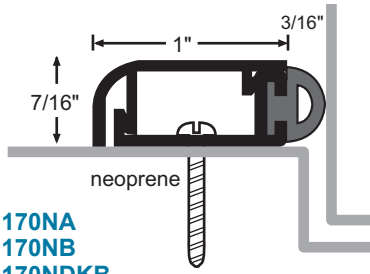
DKB - dark bronze

vinyl & pile are gray

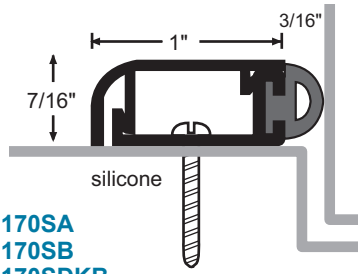
*vinyl is black

neoprene, NGP-TPV & silicone are black

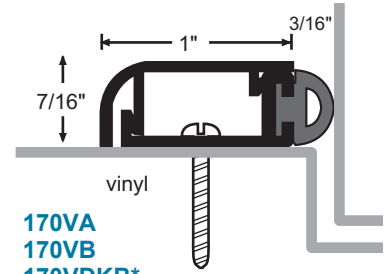
nylon brush is gray with anodized aluminum metal; black with gold and DKB metal



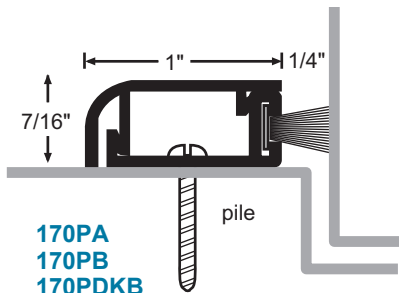
170NA
170NB
170NDKB



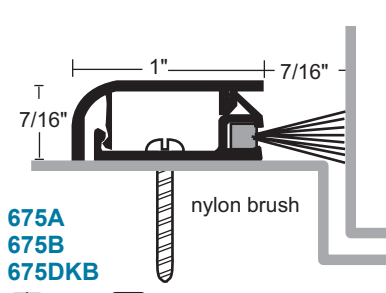
170SA
170SB
170SDKB



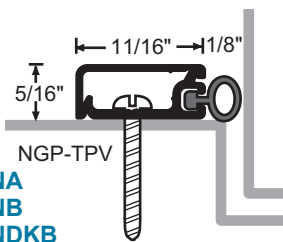
170VA
170VB
170VDKB*



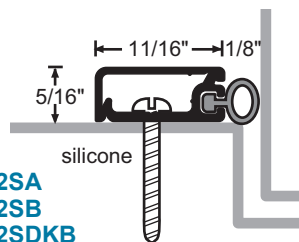
170PA
170PB
170PDKB



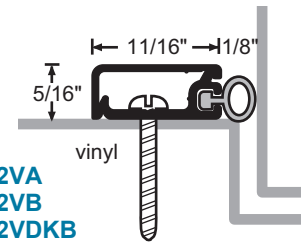
675A
675B
675DKB



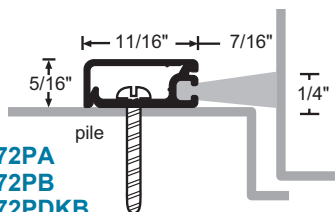
172NA
172NB
172NDKB



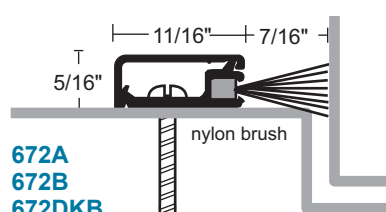
172SA
172SB
172SDKB



172VA
172VB
172VDKB



672PA
672PB
672PDKB



672A
672B
672DKB



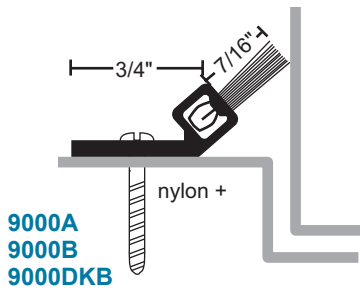
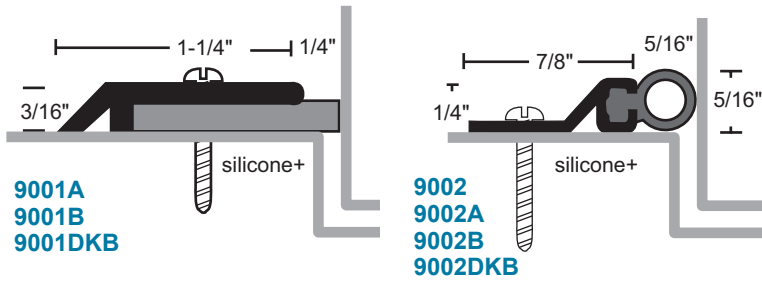
Allseal® Gasketing

Our exclusive line of premium grade seals specially formulated to withstand greater temperature extremes while providing maximum protection against air infiltration.

All products this page



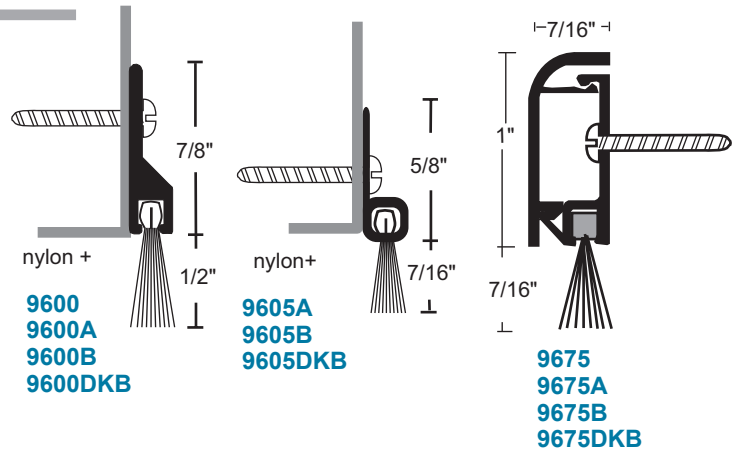
Perimeter Seals



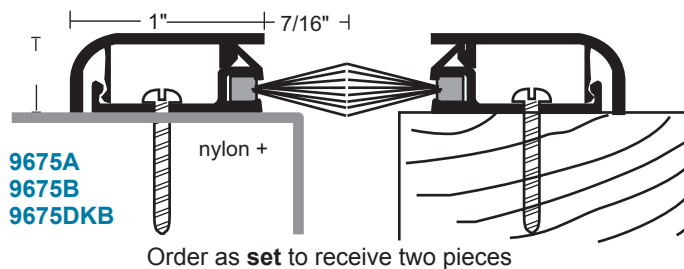
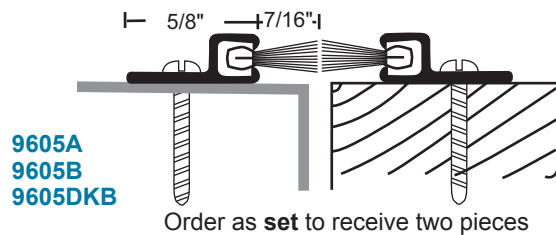
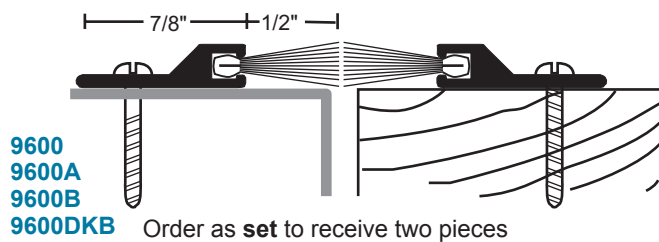
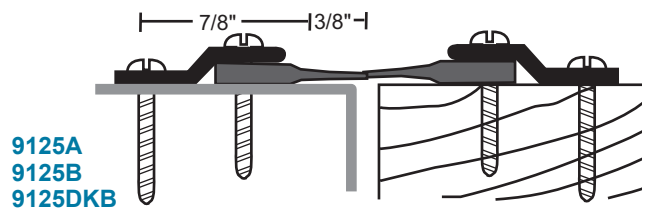
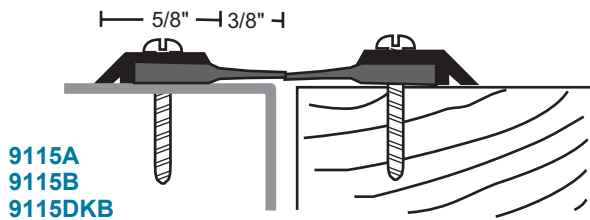
Metal	nylon+	silicone +
A - anodized aluminum	gray	tan
B - gold	black	tan
DKB - dark bronze	black	tan
no suffix - mill aluminum	gray	tan

#6 x 3/4" Stainless Steel Sheet Metal Screws furnished
Screw holes slotted for adjustment

Perimeter Seals or Sweeps



Astragal Seals



Stainless Steel

Stainless steel type 304 brushed #4 finish (US32D, 630)

Neoprene & polyurethane are black, epdm & silicone are gray, silicone+ is tan

#6 X 3/4 stainless steel SMS furnished

Screw holes slotted for adjustment

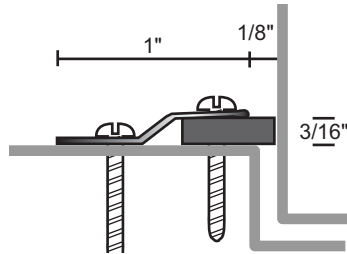
All perimeter seals this section



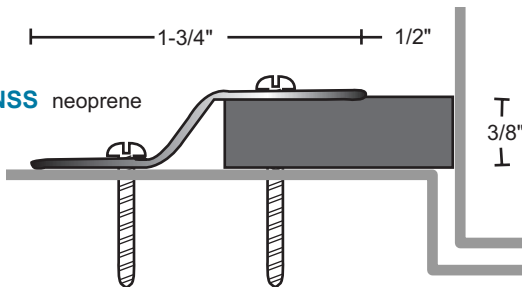
(Exception: 129USS not smoke rated and not BHMA certified)

Perimeter Seals

120NSS neoprene
120SSS silicone

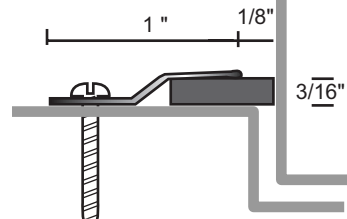


122NSS neoprene

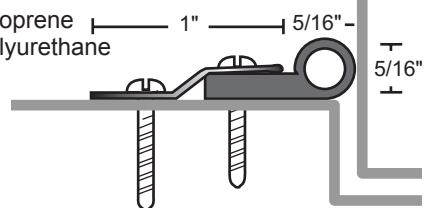


#6 X 3/4" and #6 x 1" stainless steel SMS furnished

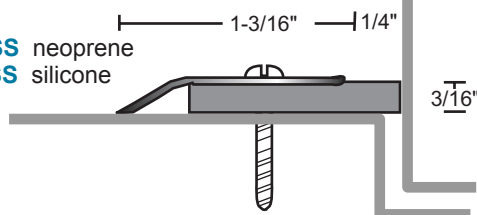
127NSS neoprene
127SSS silicone



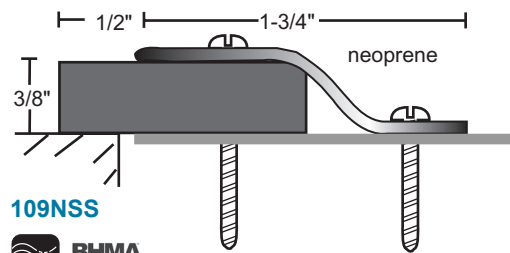
129NSS neoprene
129USS polyurethane



130NSS neoprene
130SSS silicone



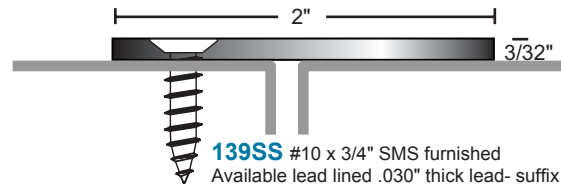
Astragal Seals



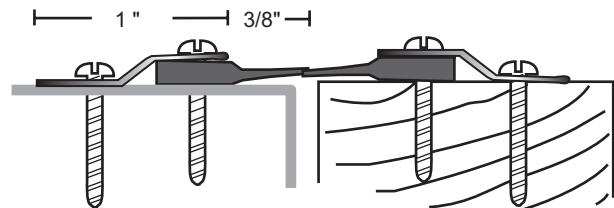
109NSS



#6 X 3/4" and #6 x 1" stainless steel SMS furnished



139SS #10 x 3/4" SMS furnished
Available lead lined .030" thick lead- suffix "LD"



125NSS epdm
9125SS silicone+



Provided as two piece set

Stainless Steel

Stainless steel type 304 brushed #4 finish (US32D, 630)

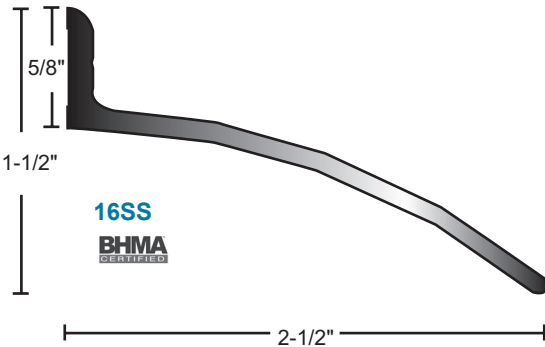
Neoprene & polyurethane are black, silicone and nylon brush are gray

#6 X 3/4" stainless steel SMS furnished
Screw holes slotted for adjustment

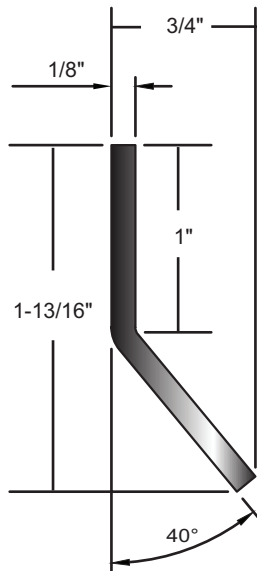
All automatic door bottoms this section



Rain Drip Guard



17SS

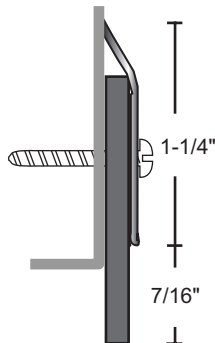


Door Sweep

200NSS neoprene **BHMA** CERTIFIED

200USS polyurethane

200SSS silicone **BHMA** CERTIFIED

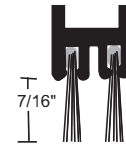


Automatic Door Bottom

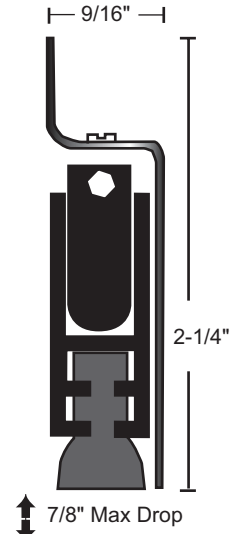
neoprene (1, 2)
221NSS
BHMA CERTIFIED

silicone (1, 2, 3)
221SSS
BHMA CERTIFIED

nylon brush (2)
221WHSS



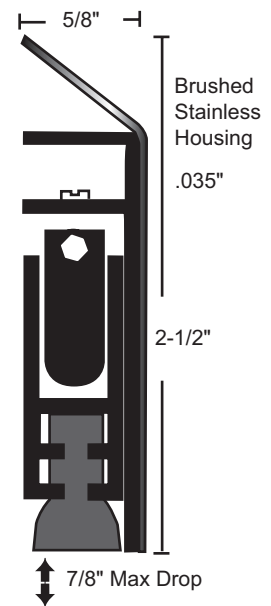
Drop Bar with Nylon Brush - suffix "WH"



neoprene (1, 2)
229NSS
BHMA CERTIFIED

silicone (1, 2, 3)
229SSS
BHMA CERTIFIED

nylon brush (2)
229WHSS



1. Lead insert available for radiation shield - specify "lead-lined".
2. Door Bottom is handed. Right hand supplied unless specified. Field reversible.
3. BHMA certified to ANSI/BHMA A156.22, 1,000,000 cycle test-grade 1.

Architectural Bronze

Architectural bronze satin finish (728), similar to US4
 Optional finishes: Polished (721), suffix "POL"
 Dark Oxidized oil rubbed (722) similar to US10B, suffix DKB

neoprene is black

silicone is gray

#6 x 3/4" brass plated SMS furnished

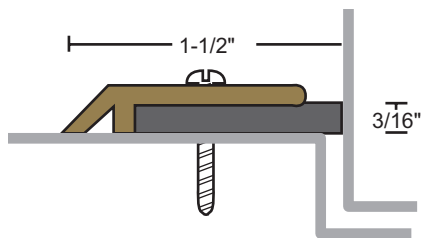
screw holes slotted for adjustment

Perimeter Seals

130NBR neoprene
130SBR silicone



BHMA
CERTIFIED



Architectural Bronze

Architectural bronze satin finish (728), similar to US4
 Optional finishes: Polished (721), suffix "POL"
 Dark Oxidized oil rubbed (722) similar to US10B, suffix DKB

neoprene, polyurethane & nylon brush are black
 silicone is gray

#6 x 3/4" brass plated SMS furnished
 screw holes slotted for adjustment

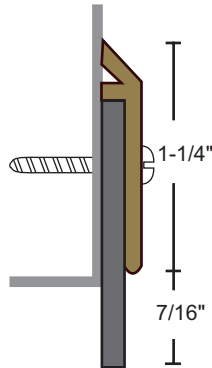
Door Sweep



200NBR
neoprene **BHMA**
CERTIFIED

200SBR
silicone **BHMA**
CERTIFIED

200UBR
polyurethane



Automatic Door Bottoms

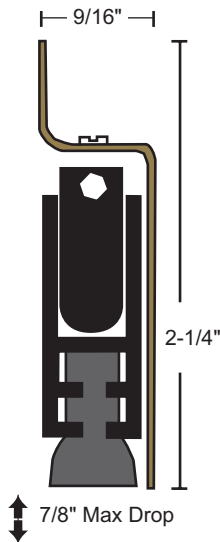
All automatic door bottoms this section



neoprene (1, 2, 3)
221NBR **BHMA**
CERTIFIED

silicone (1, 2, 3)
221SBR **BHMA**
CERTIFIED

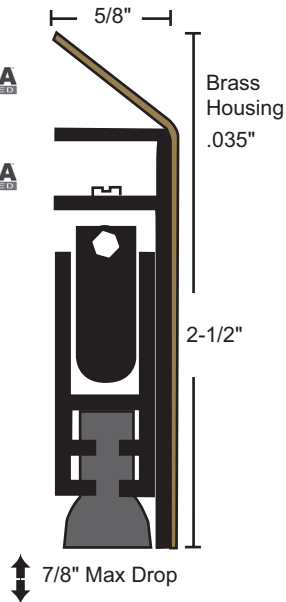
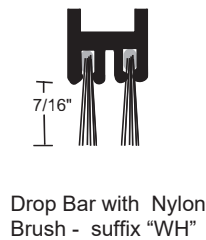
nylon brush (2)
221WHBR



neoprene (1, 2, 3)
229NBR **BHMA**
CERTIFIED

silicone (1, 2, 3)
229SBR **BHMA**
CERTIFIED

nylon brush (2)
229WHBR



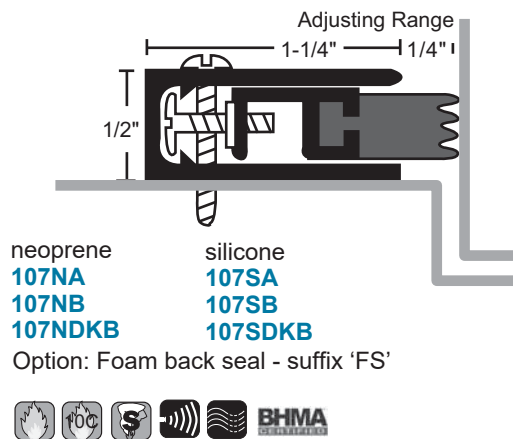
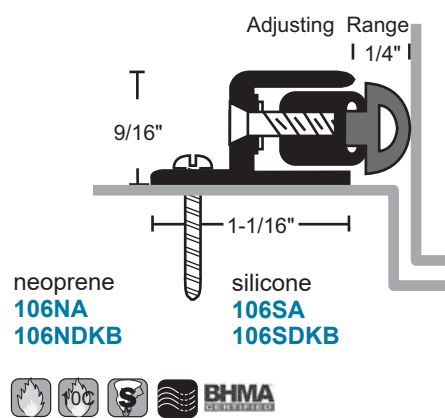
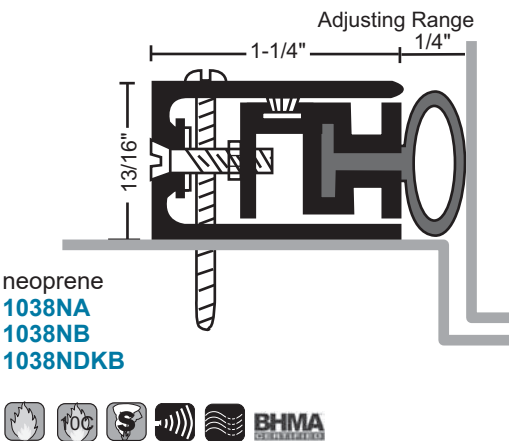
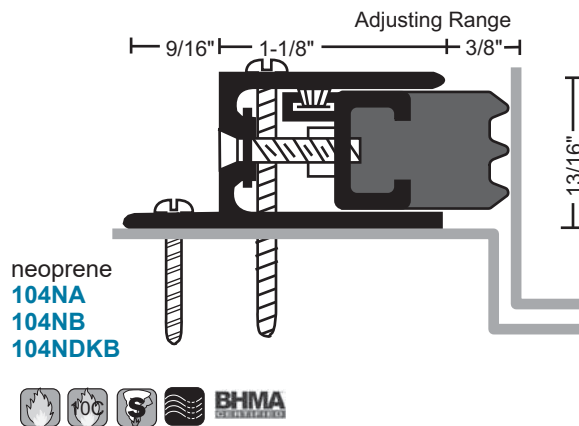
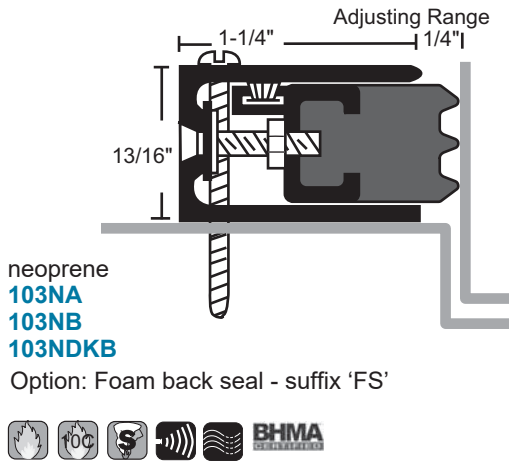
1. Lead insert available for radiation shield - specify "lead-lined"
2. Door Bottom is handed. Right hand supplied unless specified. Field reversible.
3. BHMA certified to ANSI/BHMA A156.22, 1,000,000 cycle test-grade 1.

Adjustable Perimeter Seals

- Adjustment screws on 10" centers allow adjustment without re-positioning mounting location

#6 x 3/4" or #6 x 1-1/2" Stainless Steel SMS furnished

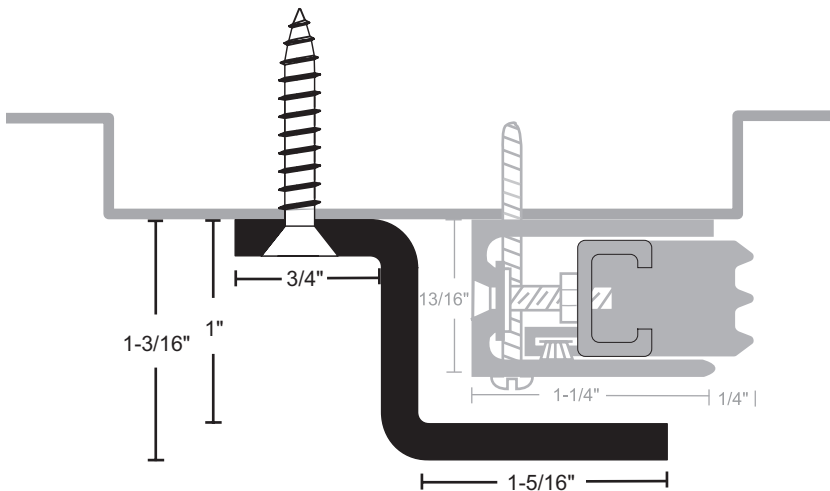
A - anodized aluminum
B - gold
DKB - dark bronze
Neoprene & 106 silicone are black
107 silicone is gray



Steel Mounting Brackets

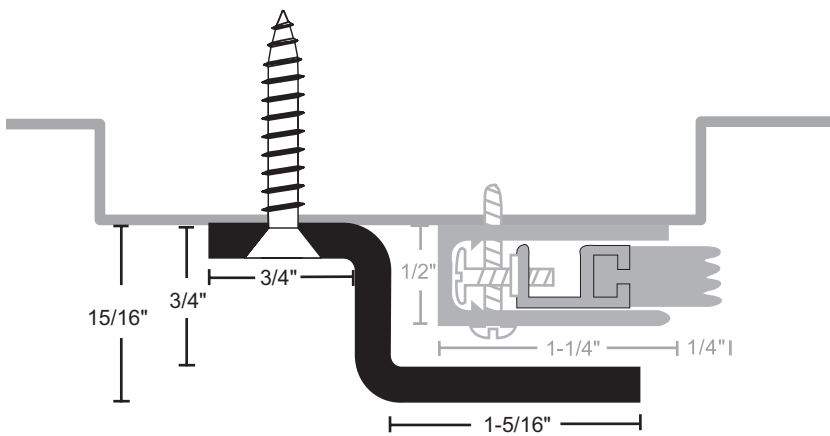
- Allows installation of door closer shoe or rim exit device strike without interruption or notching of perimeter seals
- Furnished with #12 x 1-1/4" SMS
- 3/16" thick steel
- 6" long

All products this page



Fits over 103N, 104N,
303N, 304N, 1038N,
3038N

3ASL Aluminum Silver
3DKB Dark Bronze
3SP Prime Coat



Fits over 106N, 107N,
141P, 141S

7ASL Aluminum Silver
7DKB Dark Bronze
7SP Prime Coat

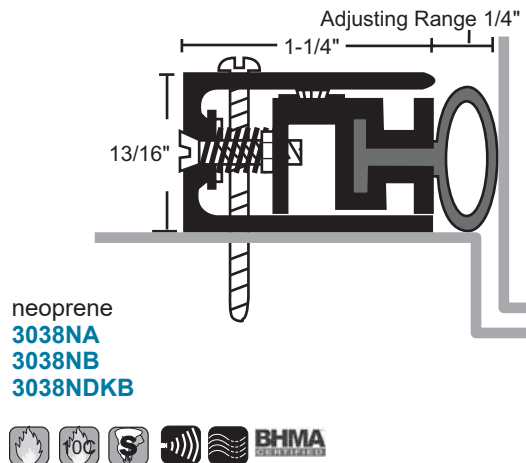
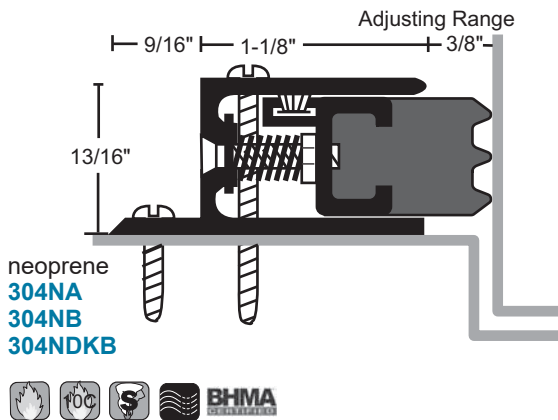
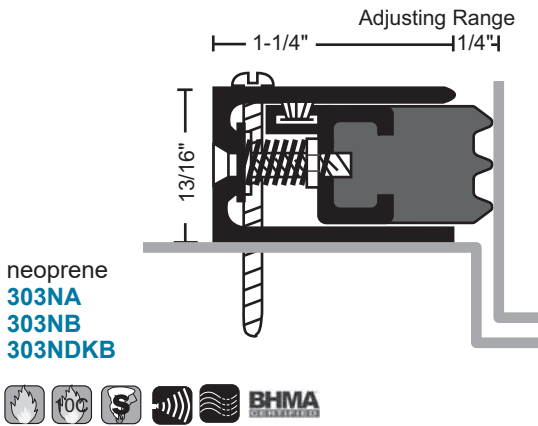
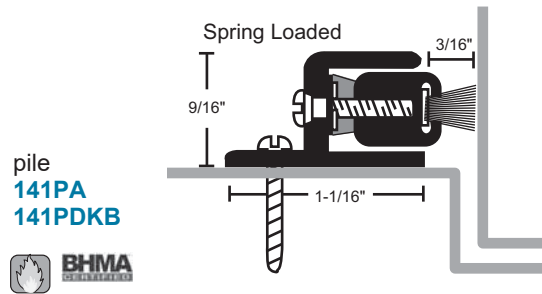
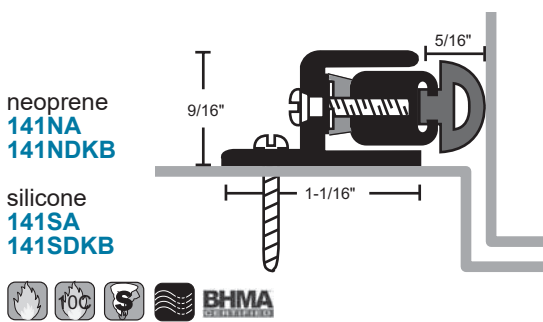
Page
Intentionally
Blank

Spring Adjustable Perimeter Seals

- Adjustment screws on 10" centers allow adjustment without re-positioning mounting location
- Spring-loaded to maintain pressure for the most effective seal

#6 x 3/4" or #6 x 1-1/2" Stainless Sheet Metal Screws furnished

A - anodized aluminum
 B - gold
 DKB - dark bronze
 neoprene & silicone are black
 pile is gray



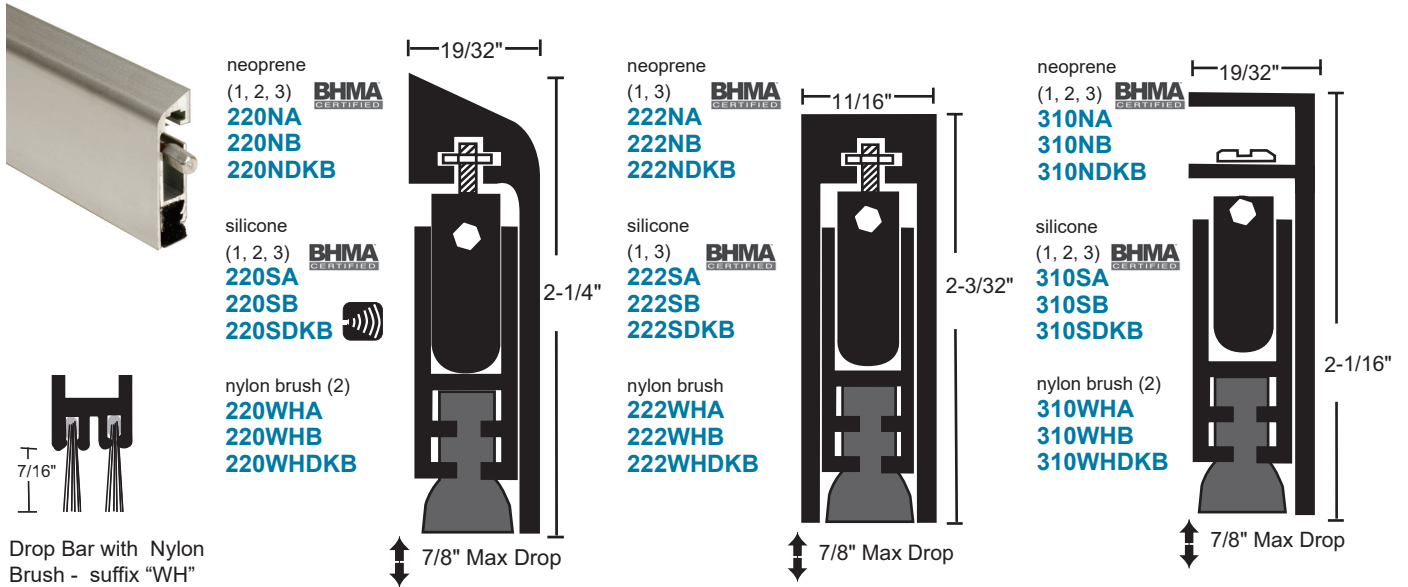
Automatic Door Bottoms - Surface

- Mounts on push side of door
- Use with a threshold for maximum sealing capability
- Nylon brush recommended for carpet applications where no threshold is provided
- Specify exact net length required to avoid field sizing
- 36" and longer may be cut up to 4" in the field, under 36" should not be cut in the field, order net length
- Minimum length 11", maximum length 60" (except 780)
- End caps furnished standard. Models 220, 221, 229, 310 require door handing, RH supplied standard

All products this page

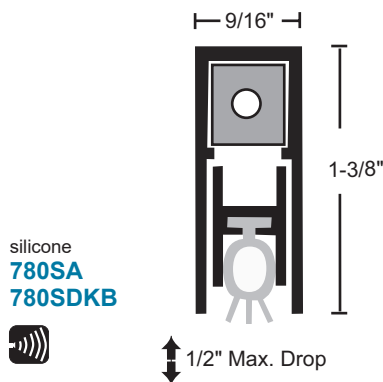


silicone is gray
neoprene is black
brush is gray with mill finish
and stainless steel; black with
gold, DKB and brass



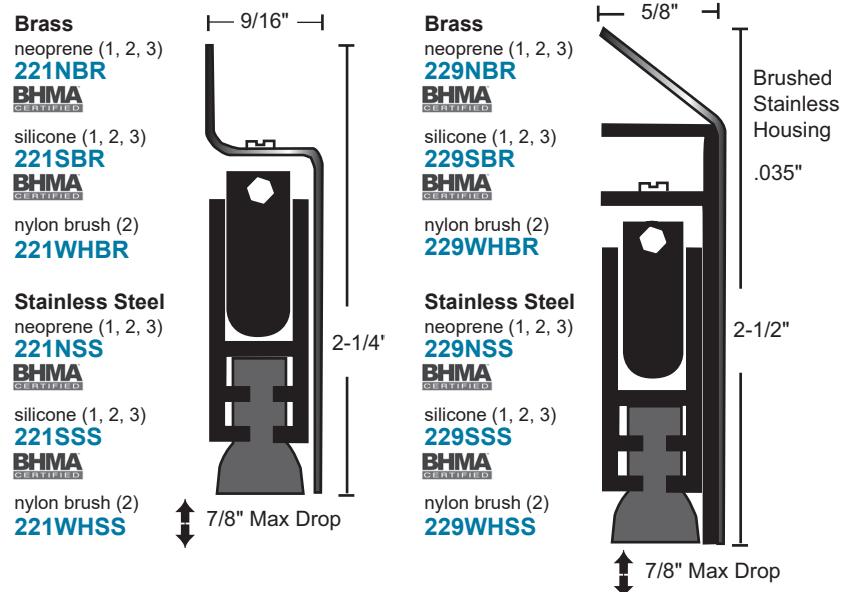
Slimline

Endurance Tested to 5 Million Cycles



Available 23" to 96" in length
End caps furnished standard.
Will work half mortised on swing or sliding doors!

Brass and Stainless Steel



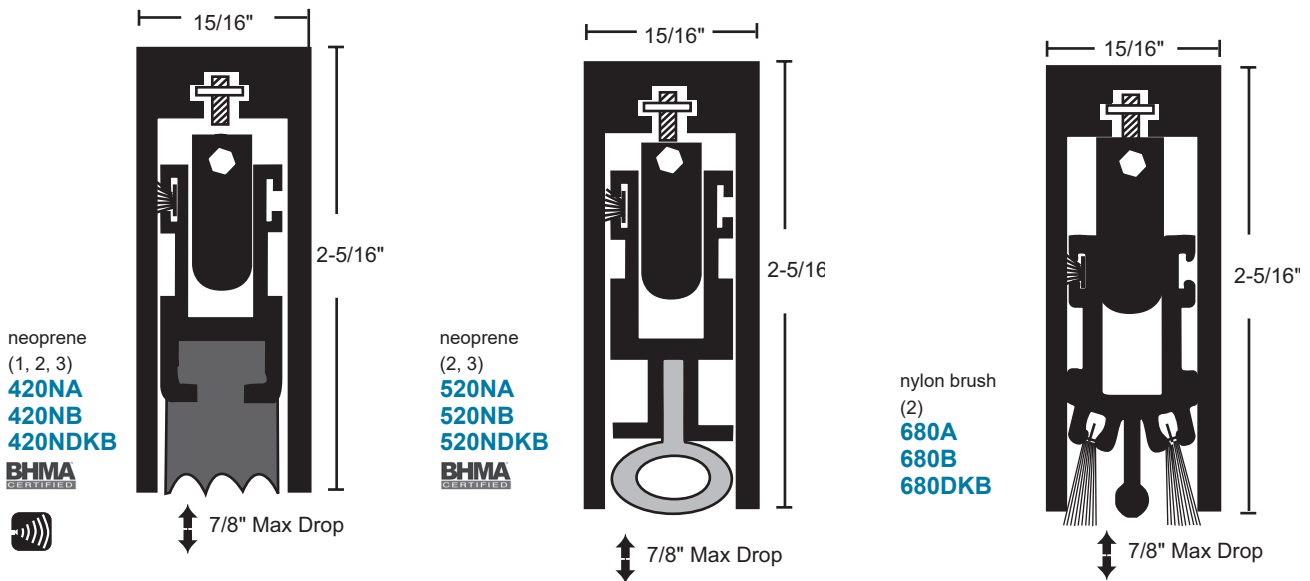
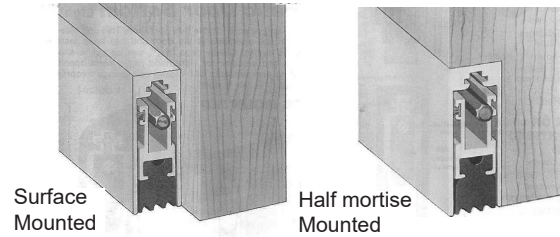
1. Lead insert available for radiation shield - specify "lead-lined".
2. Door Bottom is handed. Right hand supplied unless specified. Field reversible.
3. BHMA certified to ANSI/BHMA A156.22, 1,000,000 cycle test-grade 1.

Automatic Door Bottoms - Heavy Duty Surface

All products this page



- Mounts on push side of door
- Use with a threshold for maximum sealing capability
- Nylon brush recommended for carpet applications where no threshold is provided
- Specify exact net length required to avoid field sizing
- 36" and longer may be cut up to 4" in the field, under 36" should not be cut in the field, order net length
- Minimum length 11", maximum length 60"
- End caps furnished standard

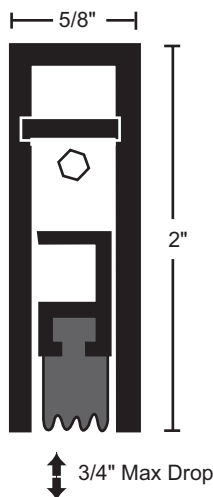


1. Lead insert available for radiation shield - specify "lead-lined".
2. For half mortise applications specify HM in item number prior to finish (ie: 420NHMDKB).
3. BHMA certified to ANSI/BHMA A156.22, 1,000,000 cycle test-grade 1.

Sliding or Pocket Doors Surface or Half Mortise - Heavy Duty

E-Z Touch

SURFACE



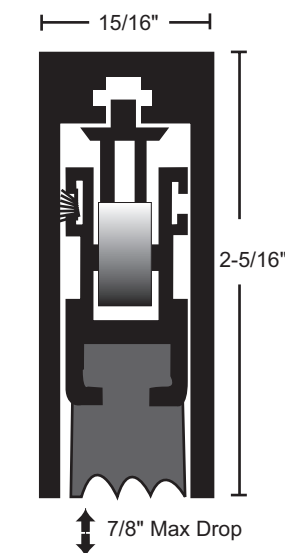
- | | |
|----------------|----------------|
| neoprene | silicone |
| 223NA | 223SA |
| 223NB | 223SB |
| 223NDKB | 223SDKB |

The EZ-Touch door bottom requires only 3 to 5 pounds of pressure to activate.

Perfect for accessibility applications and still provides an effective seal.

Available 23-1/4" net to 48" in length.

End caps furnished standard



- neoprene (1)
421NA
421NB
421NDKB

Designed for use on sliding or pocket doors. A series of actuating bars keep the seal parallel to the sill or threshold until the door is in the closed position.

Available 11" to 144" in length.

End caps not available

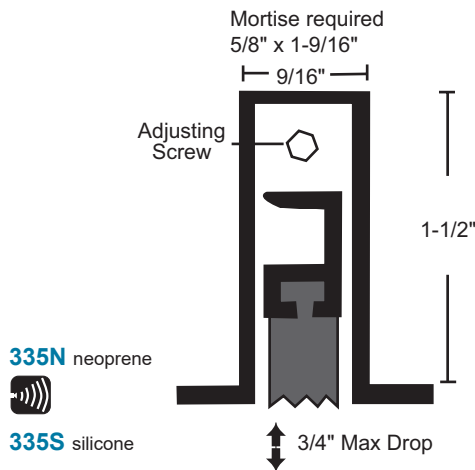
Automatic Door Bottoms - Mortise

- Use with a threshold for maximum sealing capability
- Nylon brush recommended for carpet applications where no threshold is provided
- Specify exact net length required to avoid field sizing
- 36" and longer may be cut up to 4" in the field, under 36" should not be cut in the field, order net length
- End caps furnished standard
- Furnished 1/2" shorter than ordered to fit within net door size. (i.e. 36" is furnished 35-1/2").

All products this page



neoprene & NGP-TPV are black
silicone, nylon brush & vinyl are gray



Available 23-1/4" net to 48" in length
Fits wood fire door mortise restrictions

225N neoprene (1)



BHMA certified to
ANSI/BHMA A156.22,
1,000,000 cycle test-grade 1

225S silicone

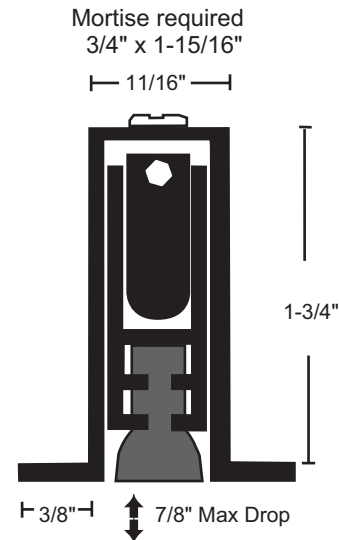


BHMA certified to
ANSI/BHMA A156.22,
1,000,000 cycle test-grade 1

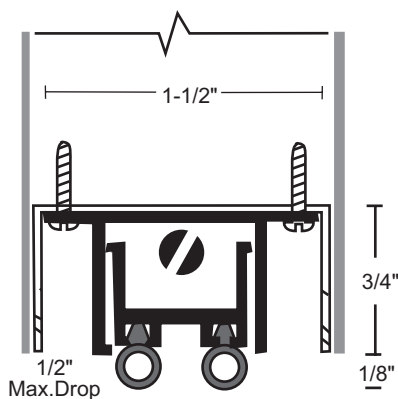
225WH nylon brush

Available 11" to 60" in length

Available with lead insert for radiation shield - specify "lead-lined"



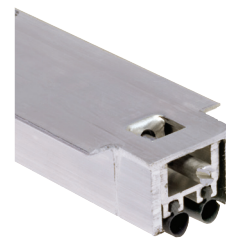
Hollow Metal Doors



320N NGP-TPV

320S silicone

320V vinyl



Fits in 1-5/8" x 3/4" channel. A "furring strip" may be used to lower automatic door bottom when a deeper channel is used.

Furnished 1/2" shorter than ordered to fit within net door size. (i.e. 36" is furnished 35-1/2") Length may be field cut up to 4".

Fire ratings apply to metal doors only.

#4 x 5/8" SMS furnished. End caps not available.

Available 24" to 48" in length

Automatic Door Bottoms - Heavy Duty Mortise

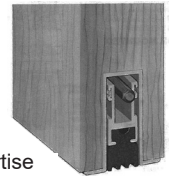
- Use with a threshold for maximum sealing capability
- Nylon brush recommended for carpet applications where no threshold is provided
- Specify exact net length required to avoid field sizing
- 36" and longer may be cut up to 4" in the field, under 36" should not be cut in the field, order net length
- Anodized aluminum end caps furnished standard. DKB end caps available - please specify
- Furnished 1/2" shorter than ordered to fit within net door size. (i.e. 36" is furnished 35-1/2").

All products this section

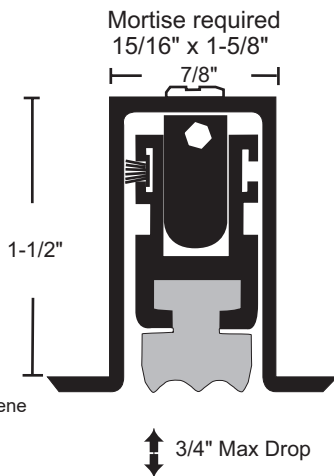


neoprene is black
nylon brush is gray
#4 x 5/8" SMS furnished

Fits Wood Fire Door Mortise Restrictions

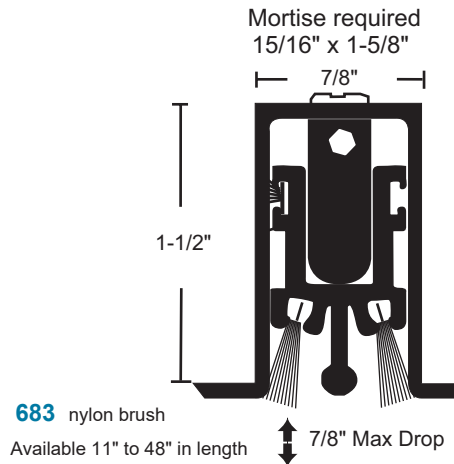


Mortise Mounted

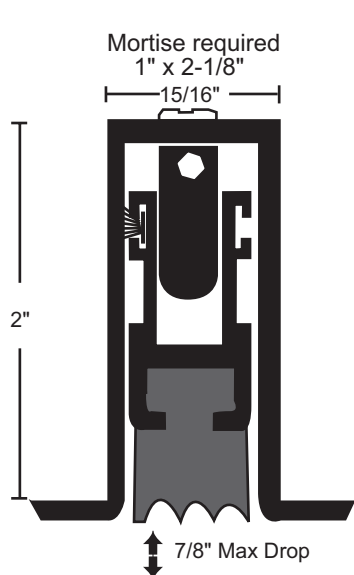


423N neoprene
BHMA CERTIFIED

Available 11" to 48" in length
Available with lead insert for radiation shield - Specify "lead-lined"
BHMA certified to ANSI/BHMA A156.22, 1,000,000 cycle test-grade 1

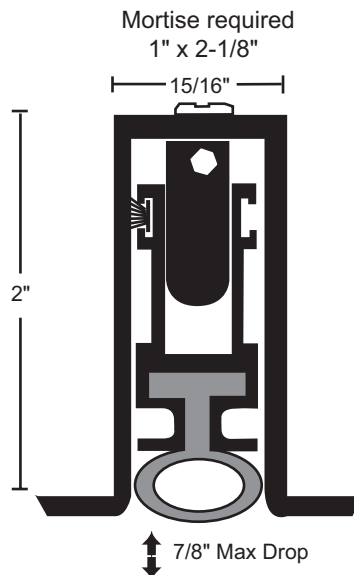


683 nylon brush
Available 11" to 48" in length



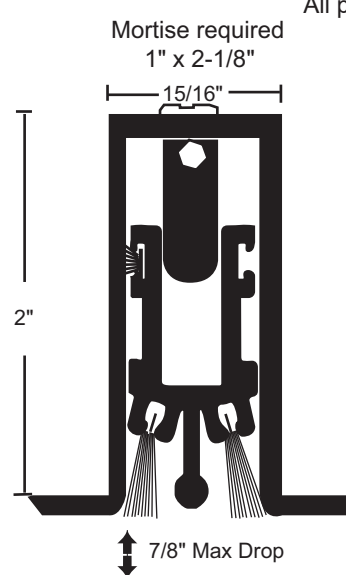
422N neoprene
BHMA CERTIFIED Available 11" to 60" in length

Available with lead insert for radiation shield - specify "lead lined"



522N neoprene
BHMA CERTIFIED Available 11" to 60" in length

BHMA certified to ANSI/BHMA A156.22, 1,000,000 cycle test-grade 1



682 nylon brush
Available 11" to 60" in length

All products this section



*up to 3 hrs. metal doors, 45 minute wood doors (does not fit mortise restrictions of some wood door manufacturers)

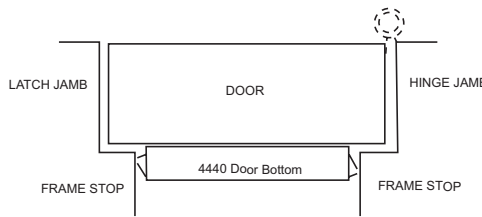
Dual Actuated Automatic Door Bottoms

All products this page



WILL NOT FUNCTION ON PAIRS OF DOORS

- Actuated by frame stop on both ends
- Low compression & operating force
- Concealed fasteners
- For pairs use matching single actuated door bottoms shown below



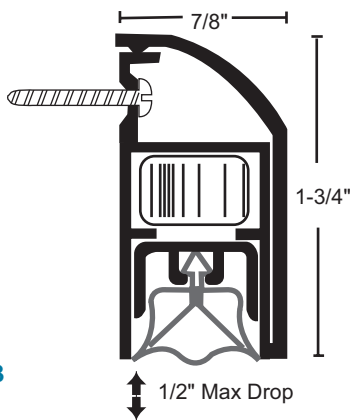
silicone is gray
gray brush with mill finish and anodized aluminum
black brush with gold and DKB

A - anodized aluminum
B - gold
DKB - dark bronze
no suffix - mill aluminum

Surface

silicone
4440SA
4440SB
4440SDKB

nylon brush
4440WHA
4440WHB
4440WHDKB

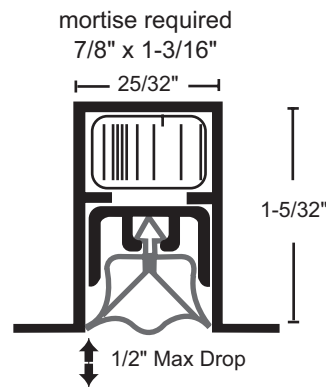


Furnished 1-3/8" shorter than ordered to fit between stops on frame. (i.e. 36" is furnished 34-5/8")
#6 x 3/4" TEK furnished

Mortise

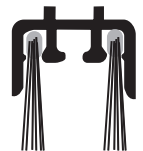
silicone
4447S

nylon brush
4447WH



Furnished 1/4" shorter than ordered to fit net door width. (i.e. 36" is furnished 35-3/4" net) #4 x 5/8" SMS furnished

Available 24" to 96" in length. May be field cut up to 3".



Drop Bar with Nylon Brush - suffix "WH"

Single Actuated Automatic Door Bottoms

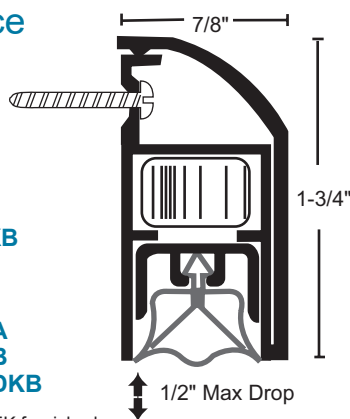
- Matches design of dual actuated door bottoms. For use on pairs of doors or field size for single doors
- Low compression & operating force
- Concealed fasteners

Surface

silicone
4441SA
4441SB
4441SDKB

nylon brush
4441WHA
4441WHB
4441WHDKB

#6 x 3/4" TEK furnished

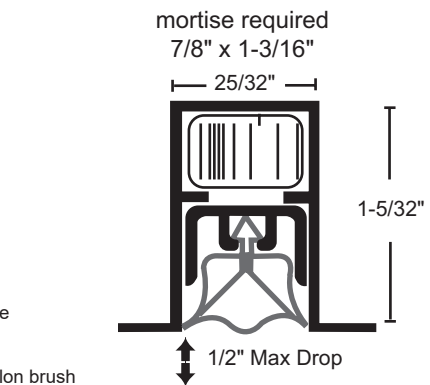


HANDED - NOT FIELD REVERSIBLE

Mortise

4448S silicone

4448WH nylon brush



Furnished 1/4" shorter than ordered to fit net door size. (i.e. 36" is furnished 35-3/4" net) #4 x 5/8" SMS furnished

Available 24" to 96" in length. May be field cut up to 3".

Thermal Break Door Shoes

Thermal break door shoes feature a rigid spline creating a separation to prevent the transfer of outside temperature and frost through the door shoe.

#6 x 3/4" stainless steel sheet metal screws furnished.
Screw holes slotted for adjustment.

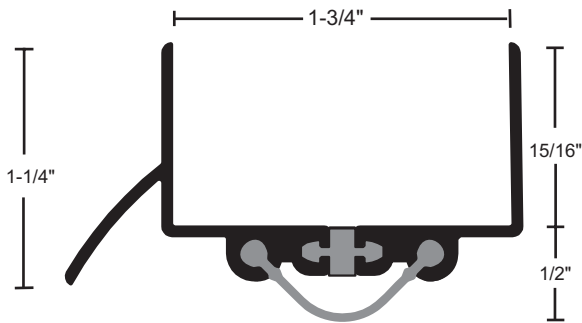
All door shoes this page



MATERIALS & FINISHES

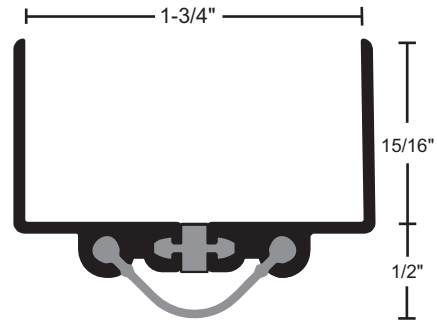
A - anodized aluminum
DKB - dark bronze

819 Series



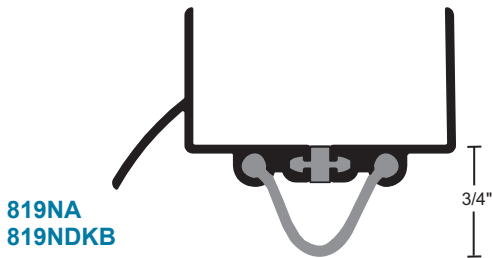
819VA
819VDKB

816 Series



816VA
816VDKB

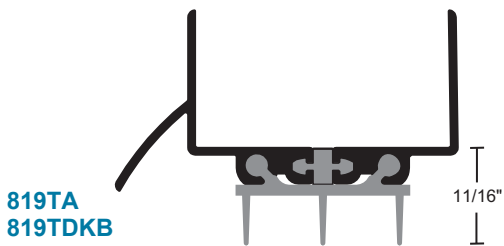
Gasketing options:



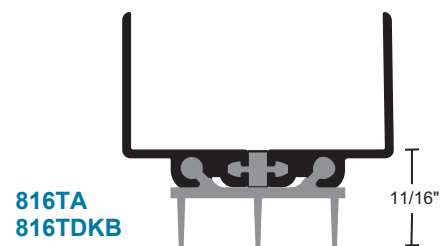
819NA
819NDKB



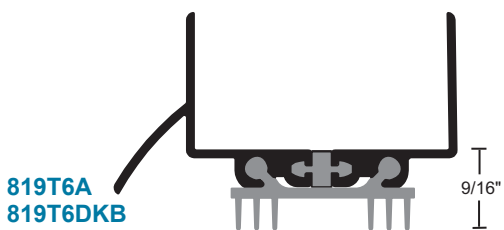
816NA
816NDKB



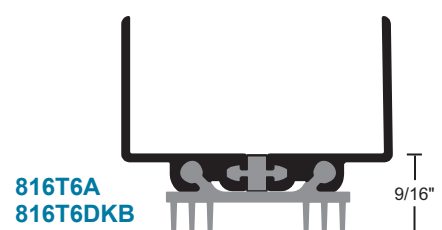
819TA
819TDKB



816TA
816TDKB



819T6A
819T6DKB



816T6A
816T6DKB



Acoustical Door Shoe

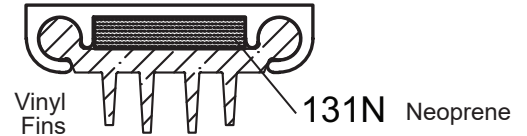
Aluminum alloy 6063, T5 temper
Thermoplastic polymer: Polyvinyl Chloride formulated with an environmentally friendly Bio-based plasticizer

- Economical
- Flame resistant
- Moisture resistant
- Temperature range 0°F to 140°F
- Oxidative degradation from age and exposure to cold, heat and UV causes hardening, loss of memory and resilience, cracking, crazing and discoloration
- #6 x 3/4" stainless steel SMS furnished
- Screw holes slotted for adjustment



MATERIALS & FINISHES
no suffix - mill aluminum
DKB - dark bronze

vinyl is gray



312V X 131N
312VDKB X 131N

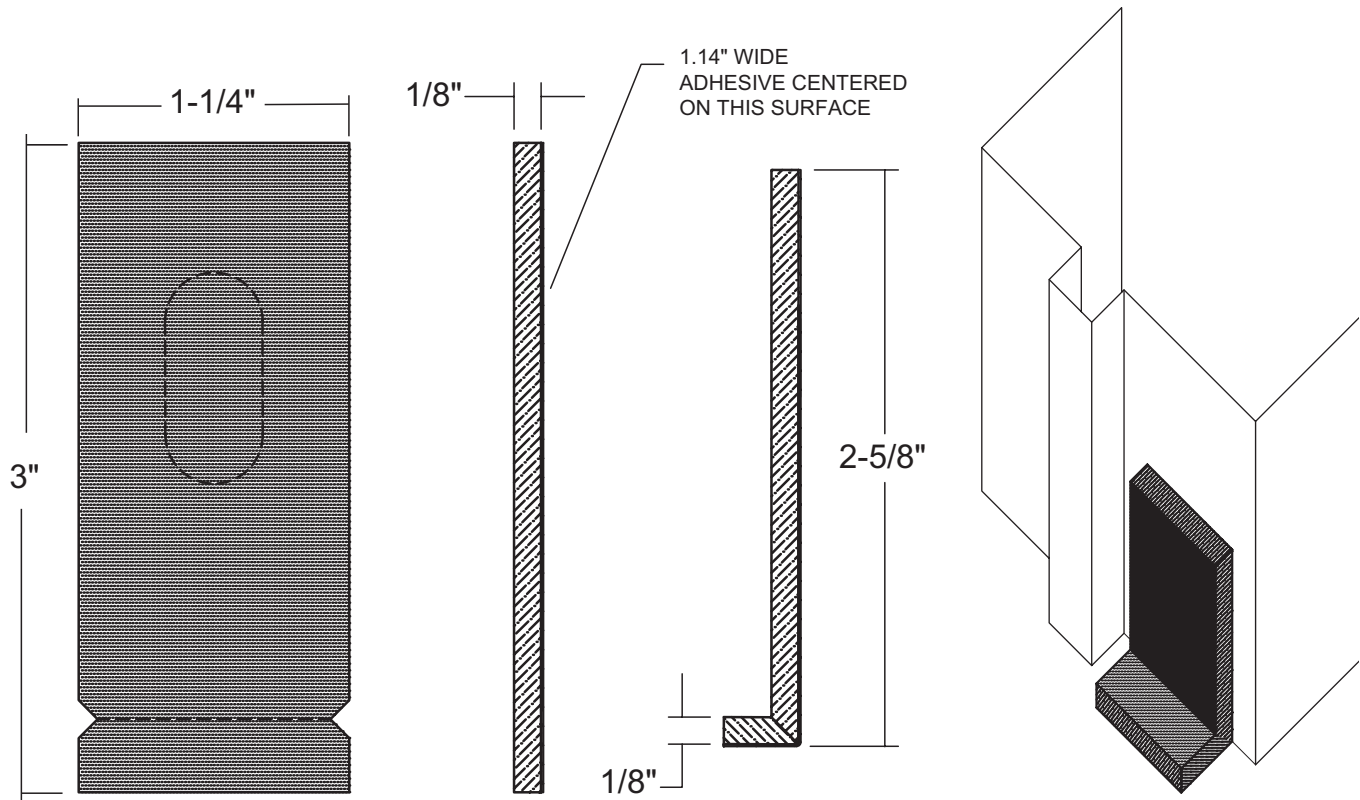
STC 45

STC Rated Acoustical Foam Pad

Foam seal self adhesive

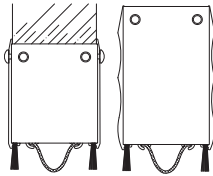
- Helps acoustics and seals at corner gap
- Apply to jambs on hinge and strike side
- Available as set of 2 pads
- Color is black

60FP  STC 52



Extended Door Shoes

#6 x 3/4" Stainless Steel SMS furnished
End caps available - sold separately



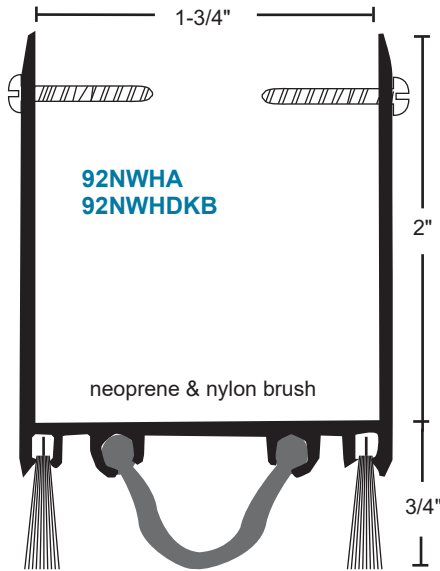
All products this page



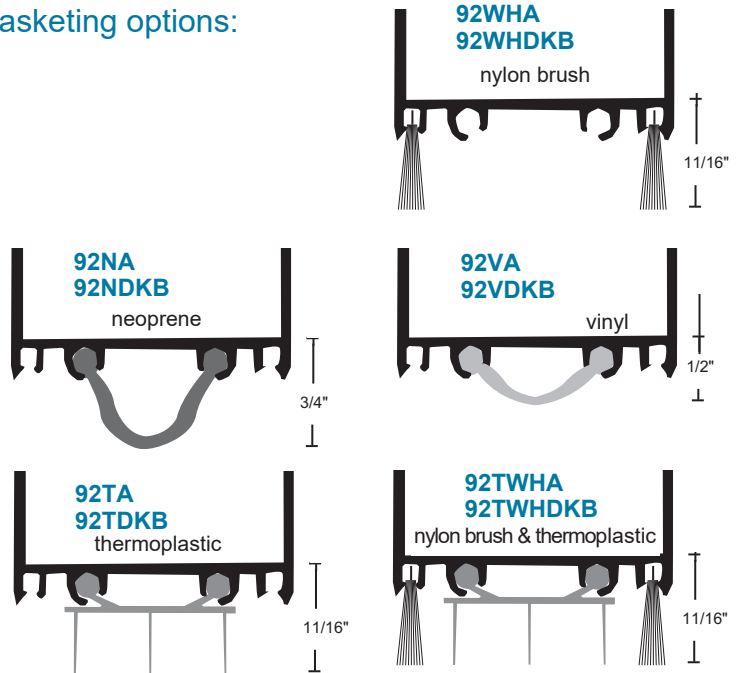
A- anodized aluminum
B - gold
DKB - dark bronze
no suffix - mill aluminum

vinyl is gray
neoprene is black
thermoplastic is dark brown
nylon brush is gray with anodized aluminum; black with DKB metal

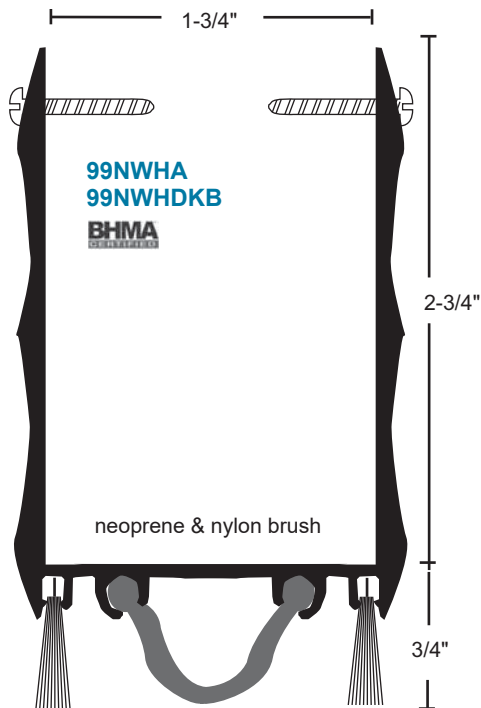
92 Series



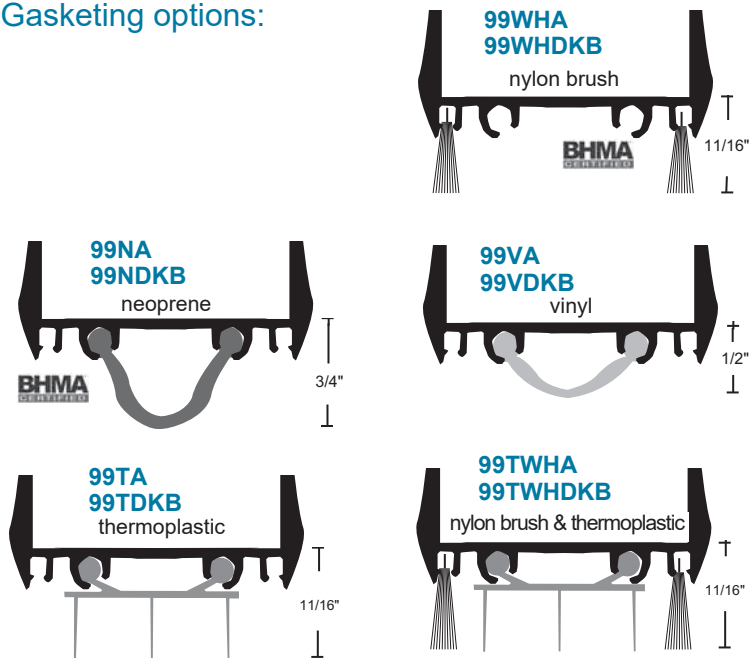
Gasketing options:



99 Series



Gasketing options:



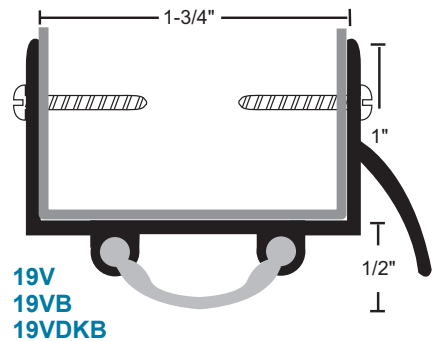
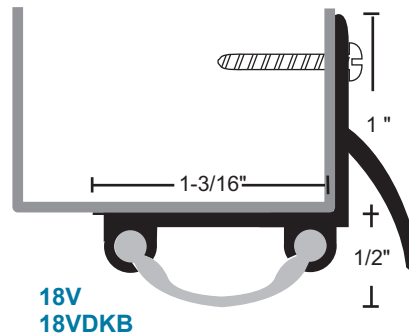
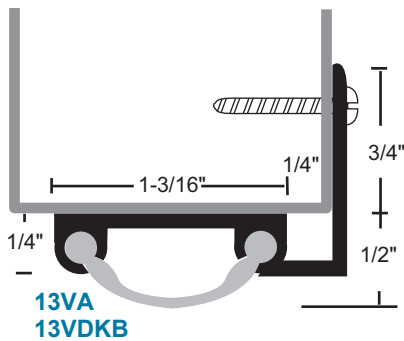
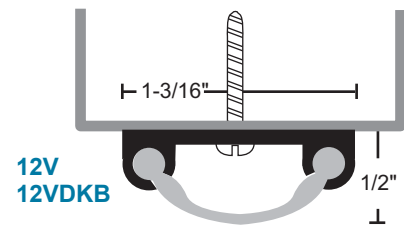
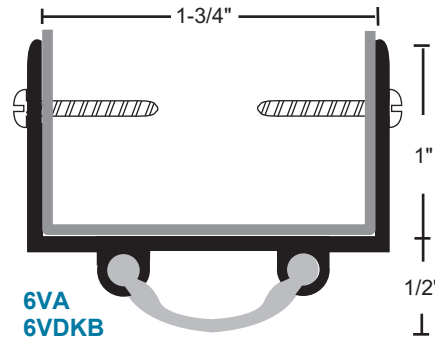
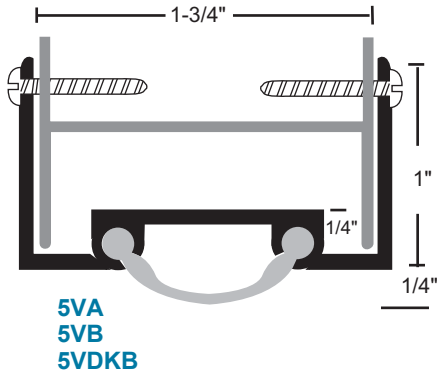
Smooth Vinyl Door Shoes

#6 x 3/4" Stainless Steel Sheet Metal Screws furnished.
Screw holes slotted for adjustment.

All vinyl door shoes this section

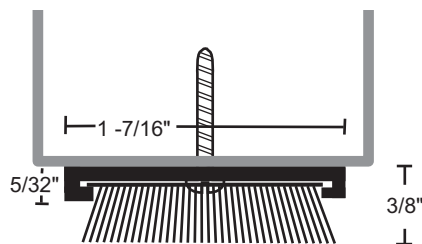


A - anodized aluminum
B - gold
DKB - dark bronze
no suffix - mill aluminum
vinyl is gray



Polypropylene Pile Door Shoes

#6 x 3/4" Stainless Steel
SMS furnished.
Pile is gray



BHMA

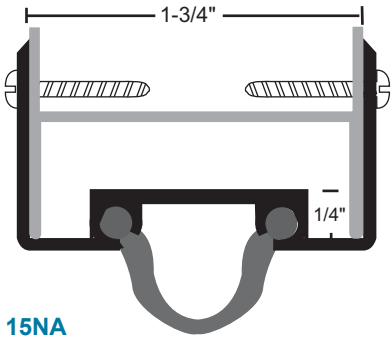
Neoprene Door Shoes

#6 x 3/4" Stainless Steel Sheet Metal Screws furnished.
Screw holes slotted for adjustment.

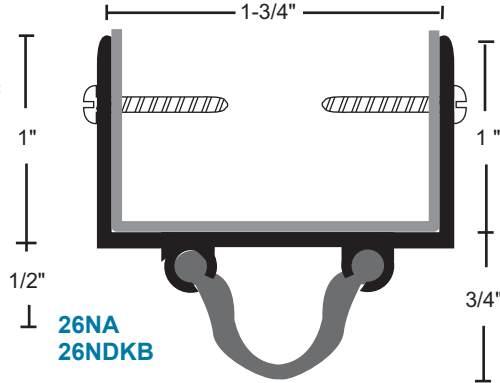
All neoprene door shoes this section



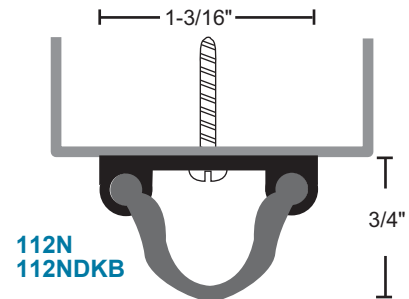
A - anodized aluminum
B - gold
DKB - dark bronze
no suffix - mill aluminum
neoprene is black



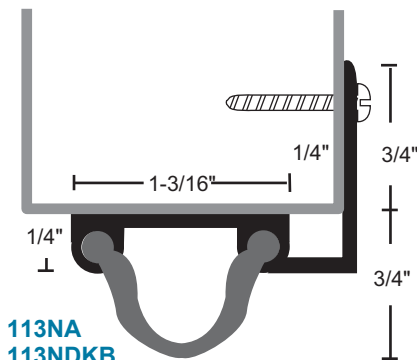
15NA
15NB
15NDKB



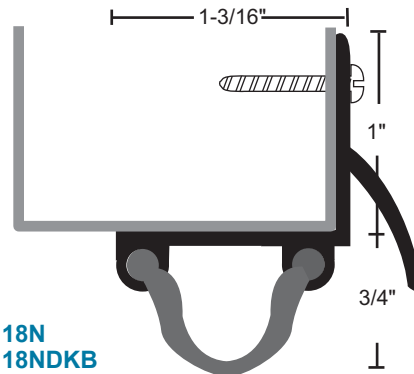
26NA
26NDKB



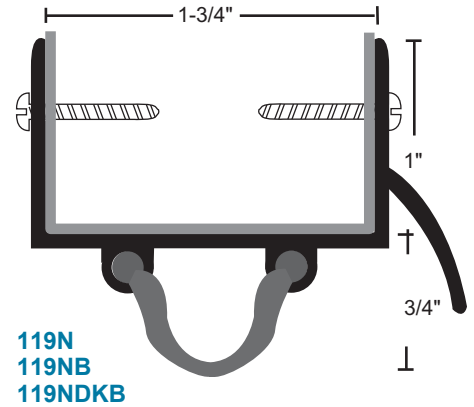
112N
112NDKB



113NA
113NDKB



118N
118NDKB

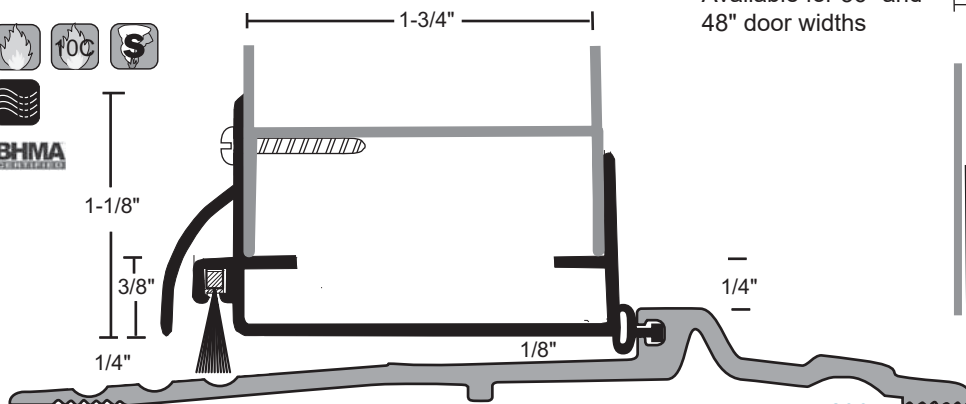
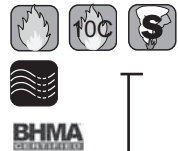


119N
119NB
119NDKB

Nylon Brush Door Shoe

#6 x 3/4" Stainless Steel SMS furnished
Screw holes slotted for adjustment.

95WH gray brush
95WHDKB - black brush
Door Shoe



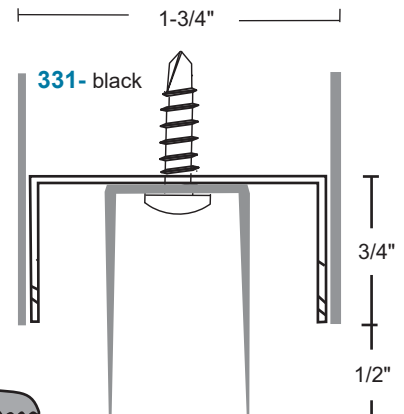
Designed for use on standard 3/4" undercut door used with NGP 896 V, N, or S ADA compliant threshold as shown



896
896DKB
Threshold

Double Fin Door Shoe

- Rigid polypropylene top with flexible TPV fins
- Designed for hollow metal doors with inverted bottom channel
- Furnished undrilled
- #8 x 3/4" TEK screws furnished
- Available for 36" and 48" door widths



331-black

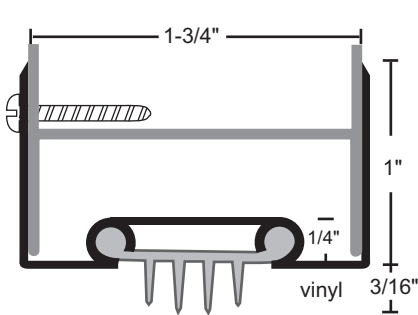
Finned Vinyl Door Shoes

#6 x 3/4" Stainless Steel SMS furnished.
Screw holes slotted for adjustment.

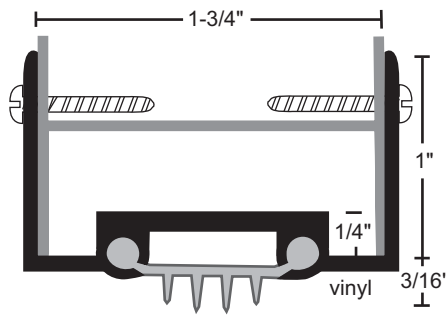
All products this page



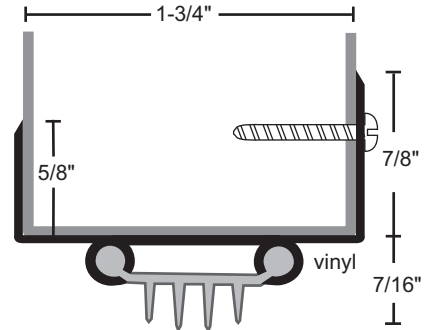
A - anodized aluminum
B - gold
DKB - dark bronze
no suffix - mill aluminum
vinyl is gray



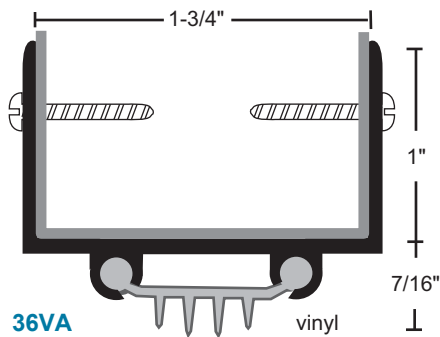
35EV
35EVDKB



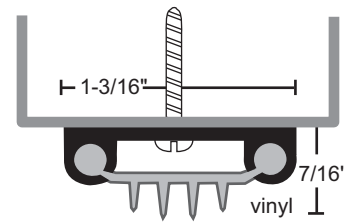
35VA
35VB
35VDKB



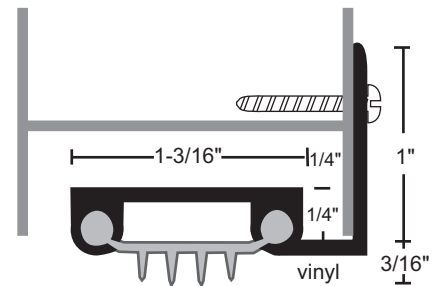
36EV
36EVDKB



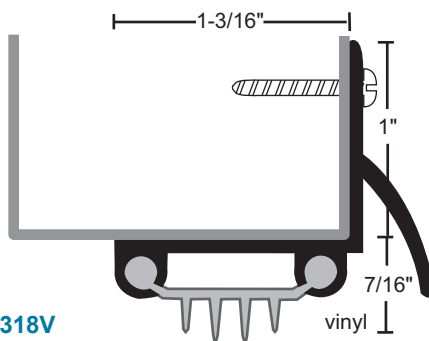
36VA
36VDKB



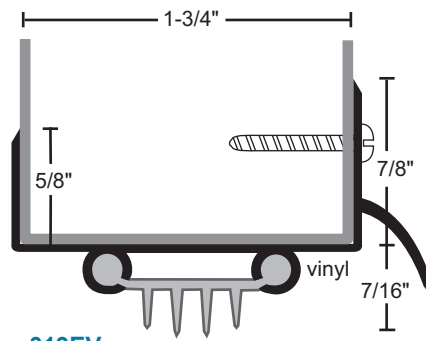
312V
312VDKB



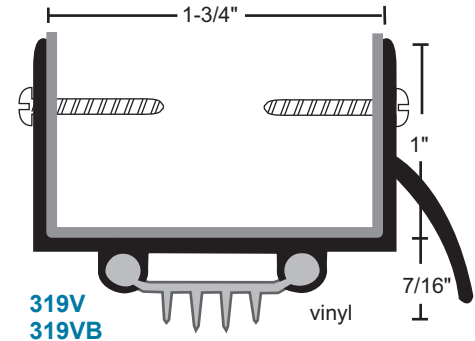
313VA
313VDKB



318V
318VDKB



319EV
319EVDKB



319V
319VB
319VDKB

Thermoplastic Door Shoes

Thermoplastic polymer seal with rigid base and soft vinyl fins.
48" maximum length

All products this page



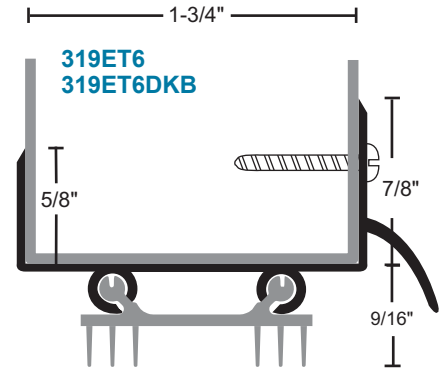
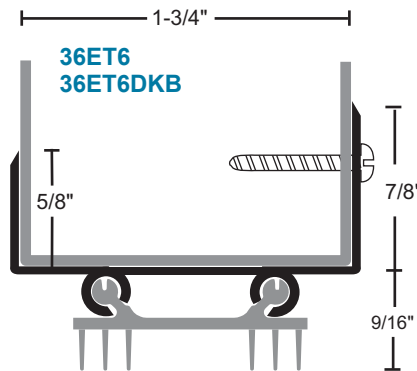
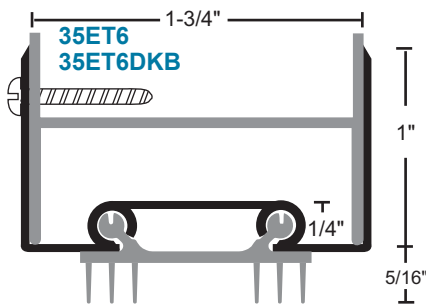
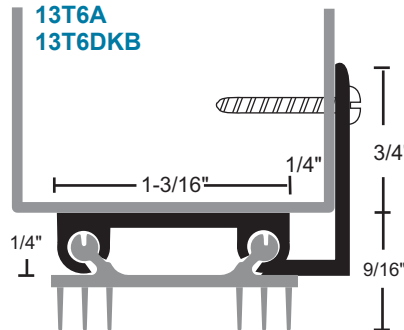
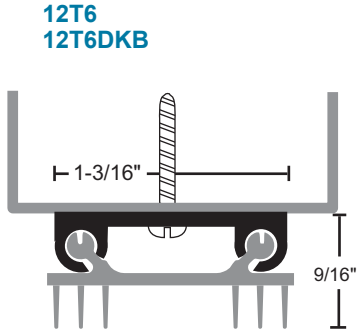
Material Finishes:

A - anodized aluminum

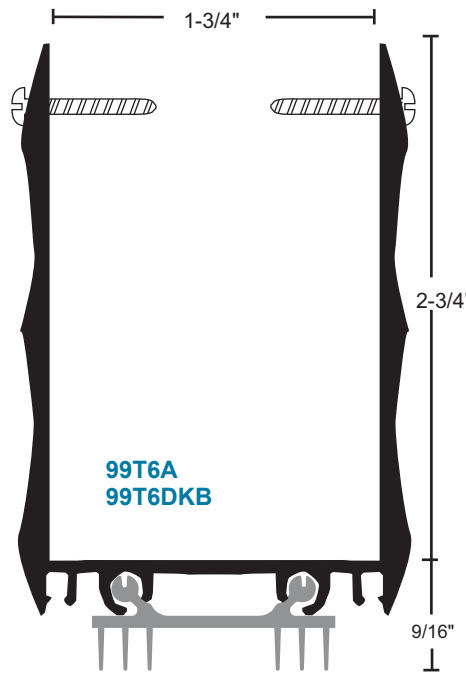
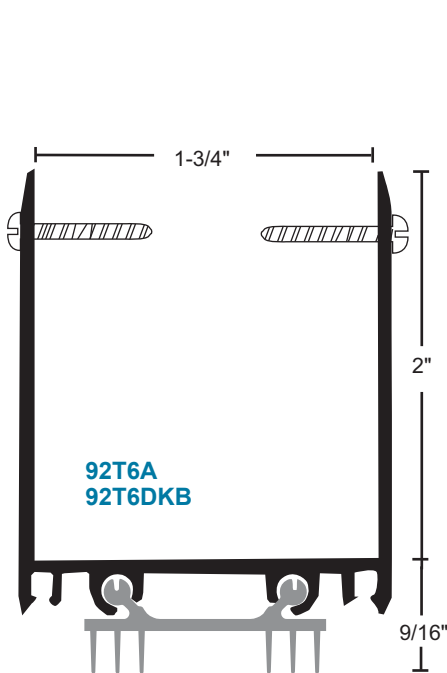
DKB - dark bronze

no suffix = mill aluminum
thermoplastic is dark brown

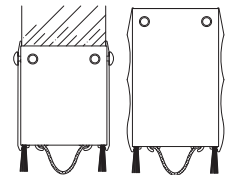
#6 x 3/4" stainless steel
SMS furnished



Extended Door Shoes



End caps available -
sold separately



Page
Intentionally
Blank

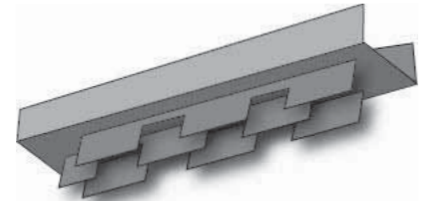
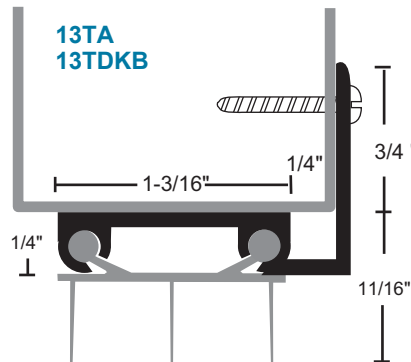
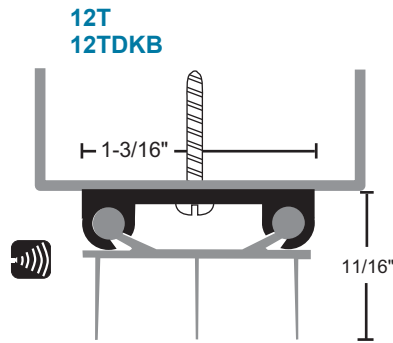
Thermoplastic Door Shoes

Thermoplastic polymer seal with rigid base and soft vinyl fins. Available with Notched Fins to allow air flow while restricting light, suffix NF. 48" maximum length

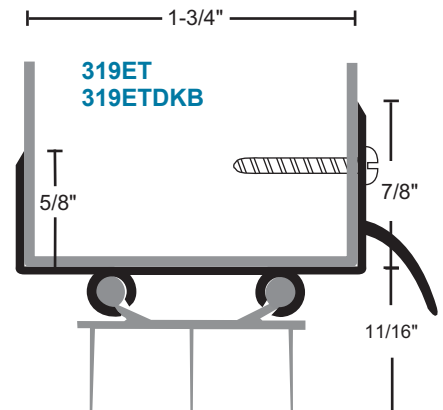
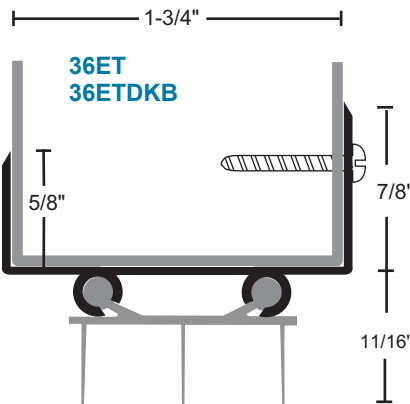
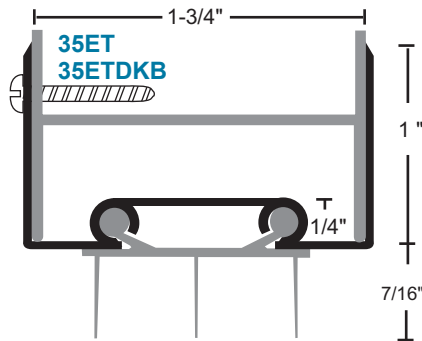
All products this page



#6 x 3/4" stainless steel
SMS furnished

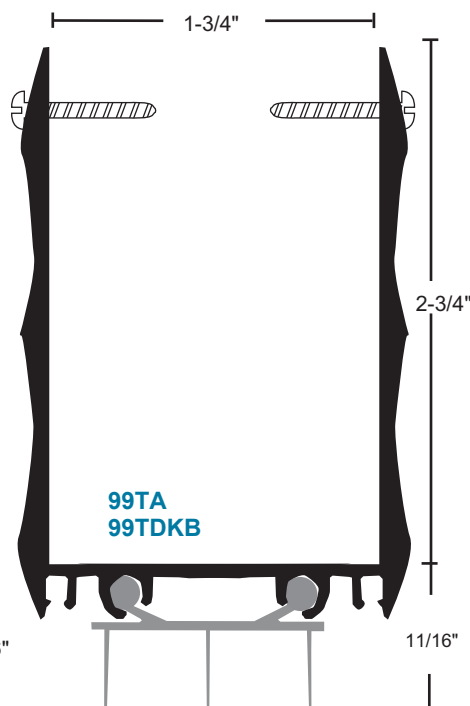
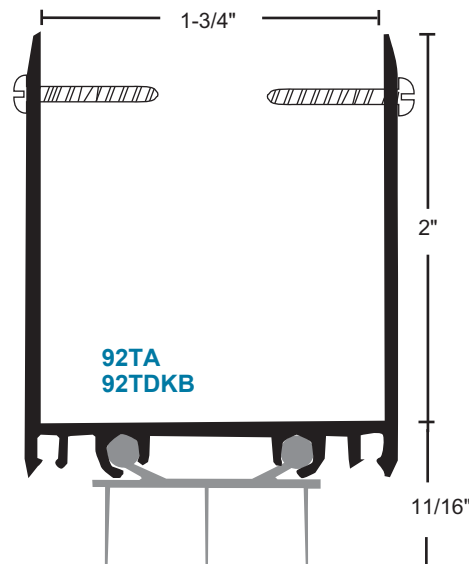
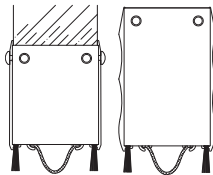


Option: Notched Fins - suffix 'NF'



Extended Door Shoes

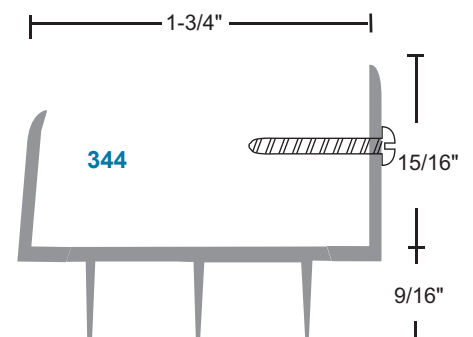
End caps
available - sold
separately



Material Finishes:
A - anodized aluminum
DKB - dark bronze
no suffix = mill aluminum
thermoplastic is dark brown

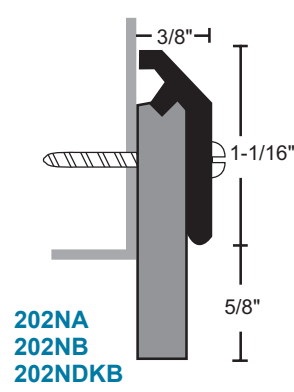
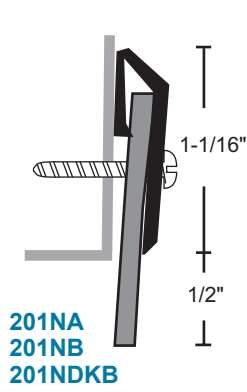
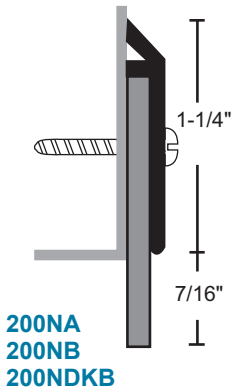
Rigid Thermoplastic Door Shoe with Soft Vinyl Fins

- Available 36" and 48"
- color is dark brown

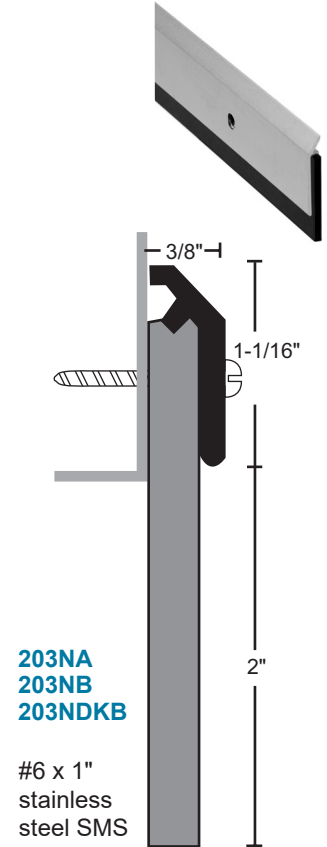
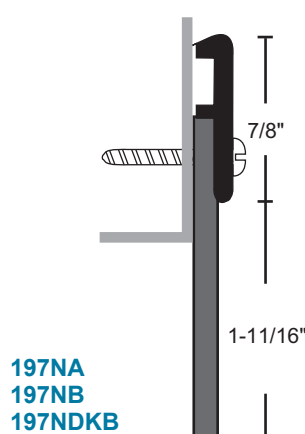
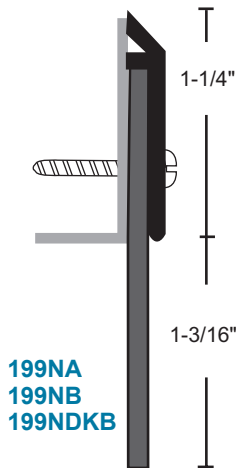
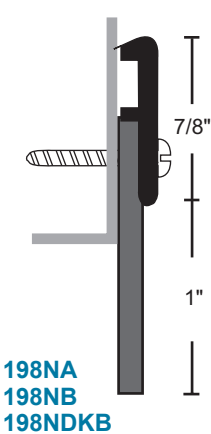


Neoprene Sweeps

#6 x 3/4" Stainless Steel Sheet Metal Screws furnished.
Screw holes slotted for adjustment.
Neoprene is black



#6 x 1" stainless steel SMS



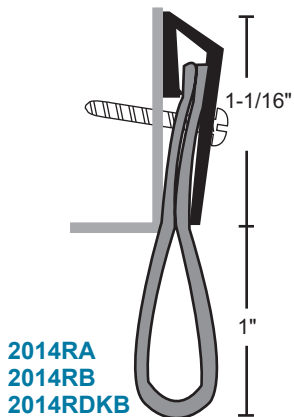
All products this page



BHMA CERTIFIED except 198U & 200U

Material Finishes:
A - anodized aluminum
DKB - dark bronze
no suffix = mill aluminum
neoprene is black

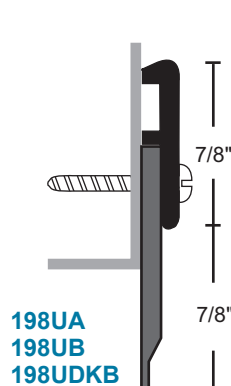
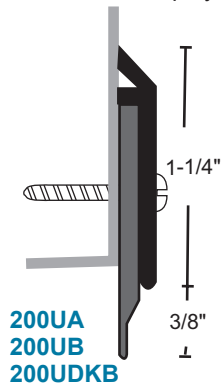
Reinforced Neoprene Sweep



0.060" thick Lead Insert available for radiation shield – suffix "LD"

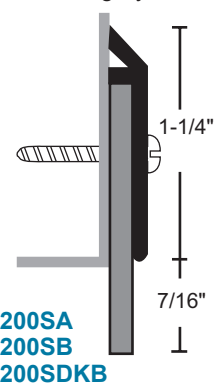
Polyurethane Sweeps

polyurethane is black



Silicone Sweep

silicone is gray



Vinyl Sweeps

#6 x 3/4" Stainless Steel SMS furnished.
Screw holes slotted for adjustment.

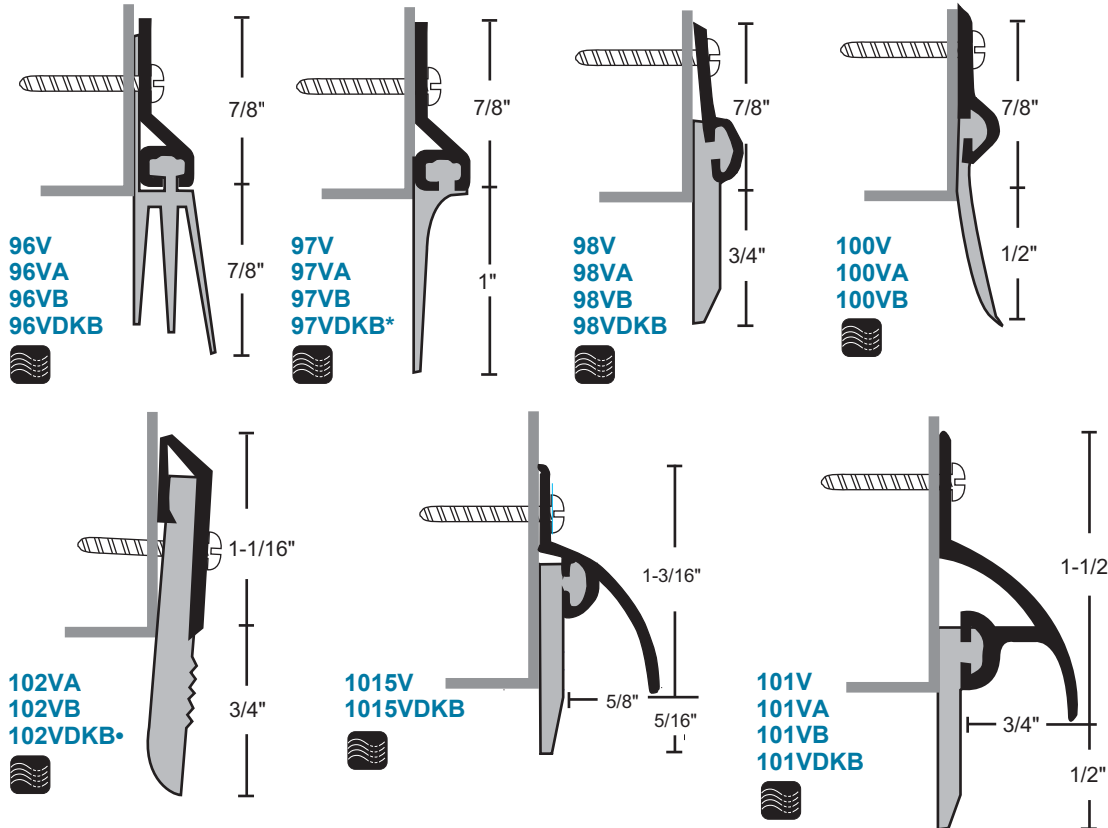
All products this page



A - anodized aluminum
B - gold
DKB - dark bronze
no suffix - mill aluminum

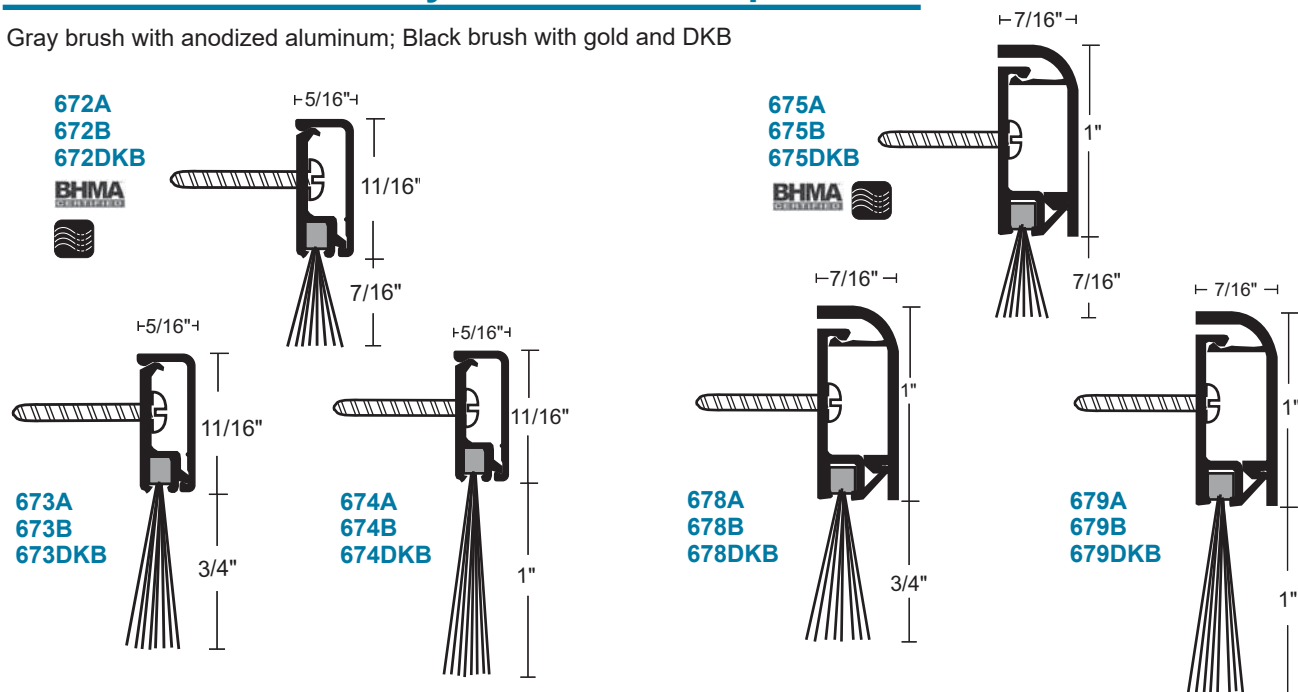
vinyl is gray

Exceptions:
•vinyl is black



Concealed Fastener Nylon Brush Sweeps

Gray brush with anodized aluminum; Black brush with gold and DKB

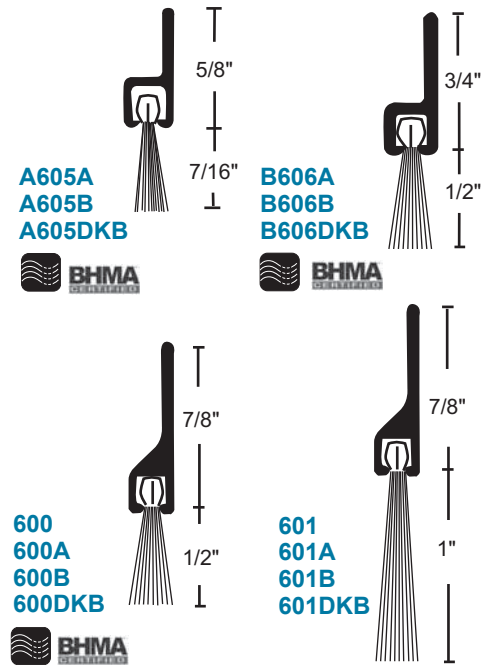


Nylon Brush Sweeps

#6 x 3/4" Stainless Steel Sheet Metal Screws furnished.
Screw holes are slotted for adjustment.

- A - anodized aluminum with gray brush
- B - gold with black brush
- DKB - dark bronze with black brush
- no suffix - mill aluminum with gray brush

All products this page



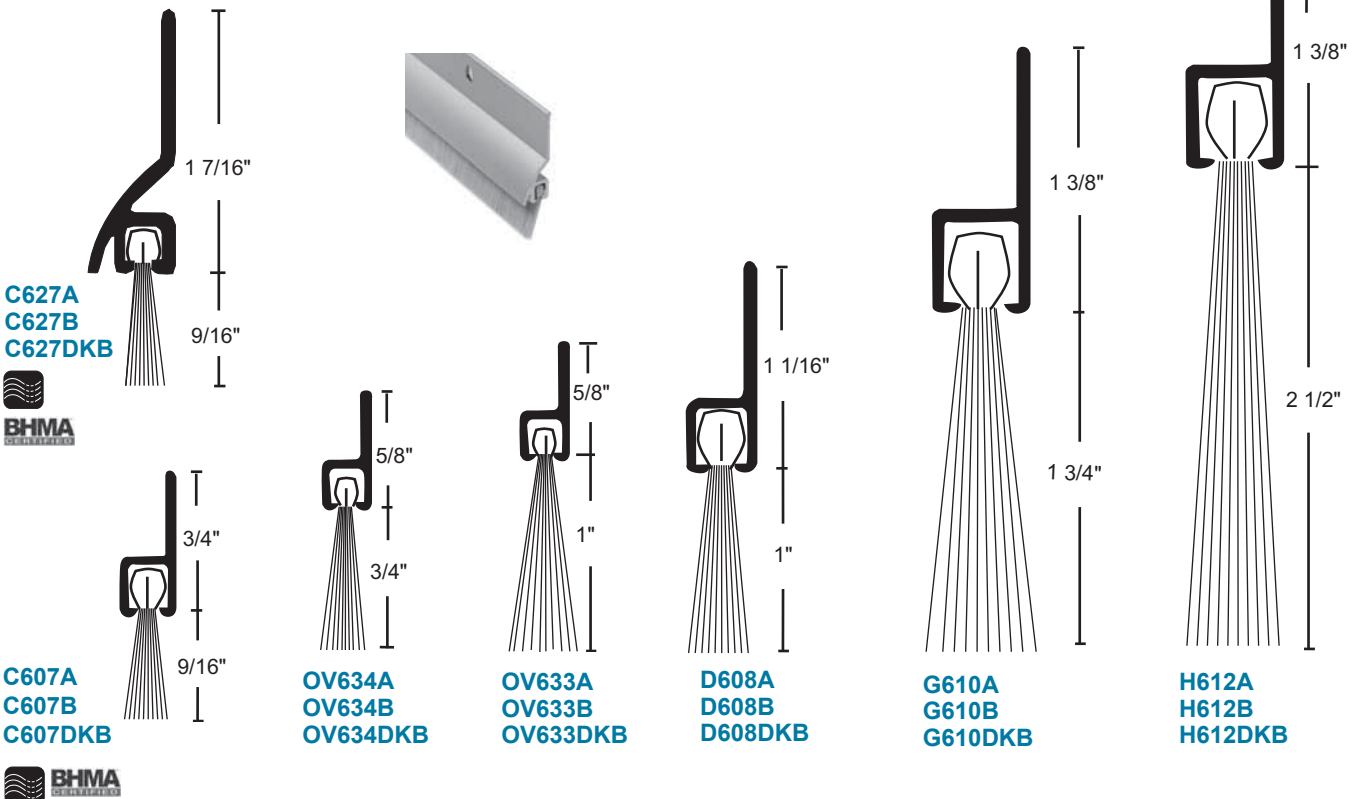
Our exclusive line of premium grade seals specially formulated to withstand greater temperature extremes while providing maximum protection against air infiltration.

9605A
9605B
9605DKB

9600
9600A
9600B
9600DKB

9675
9675A
9675B
9675DKB

Dimensions: 5/8", 7/16", 7/8", 1", 1/2", 7/16", 1-7/16"

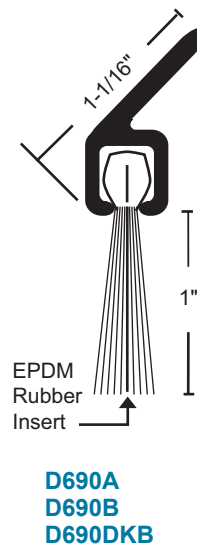
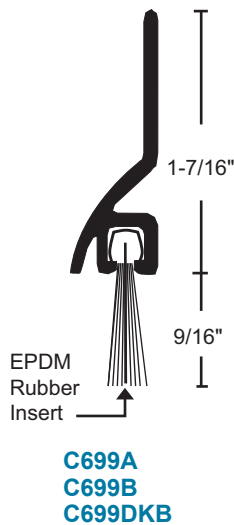
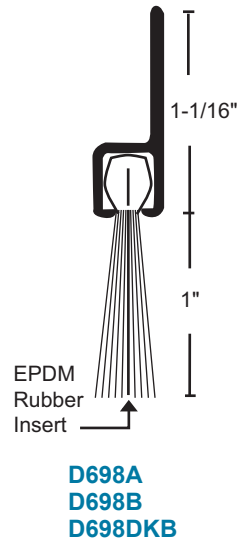
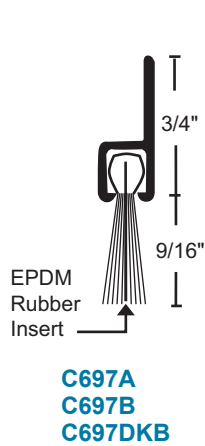


Nylon Brush Seals with EPDM Rubber Insert

#6 x 3/4" Stainless Steel Sheet Metal Screws furnished.
Screw holes are slotted for adjustment.

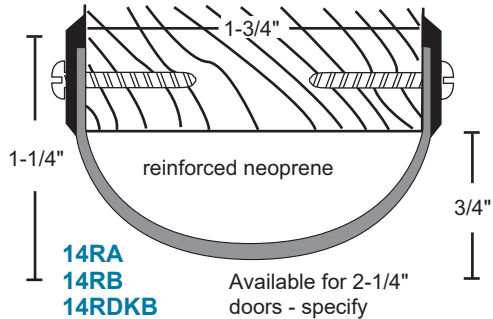
- A** - clear anodized with black brush
- B** - gold with black brush
- DKB** - dark bronze with black brush

- EPDM rubber insert protects against water penetration and provides an effective bottom seal for exterior doors
- Excellent abrasion resistance, flexibility and memory
- Moisture resistant
- Retains insecticides well
- Temperature range - 60°F to 350°F



Page
Intentionally
Blank

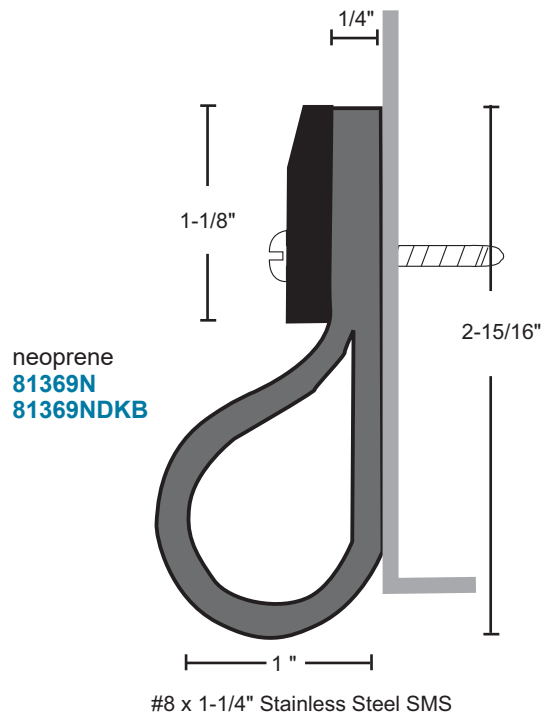
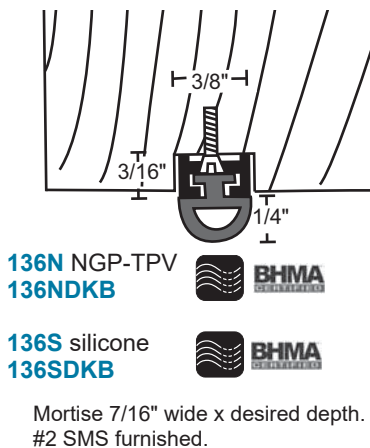
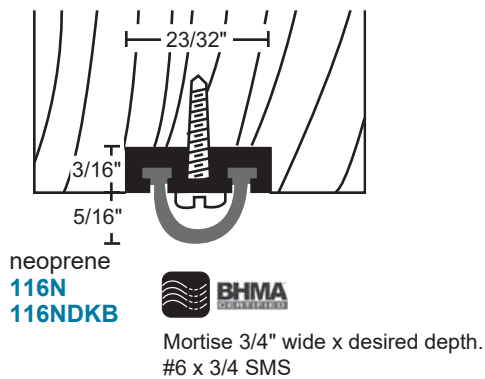
Door Bottom Seals



Material Finishes:
A - anodized aluminum
B - gold
DKB - dark bronze
no suffix = mill aluminum
 neoprene, silicone & NGP-TPV are black

Overhead Door Bottom Seal

- Properties:
- Synthetic rubber polymer blend: Chloroprene and EPDM
 - Very good abrasion resistance, tensile strength and memory
 - Flame resistant
 - Moisture resistant
 - Temperature range -20°F to 200°F
 - Good resistance to ozone sunlight and aging

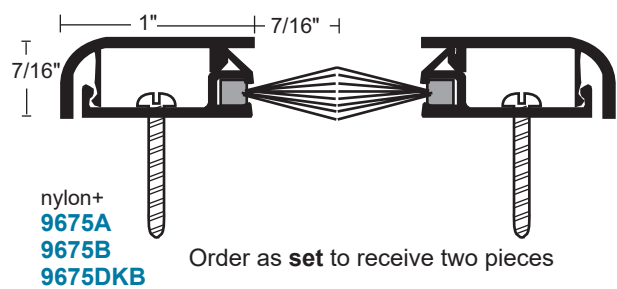
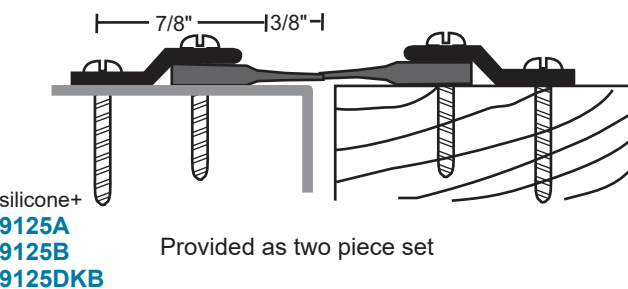
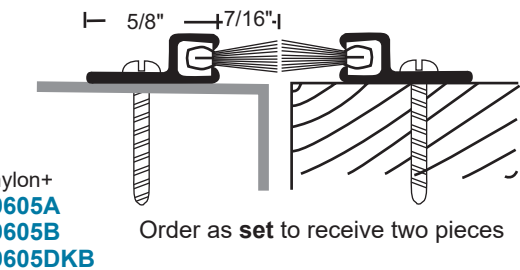
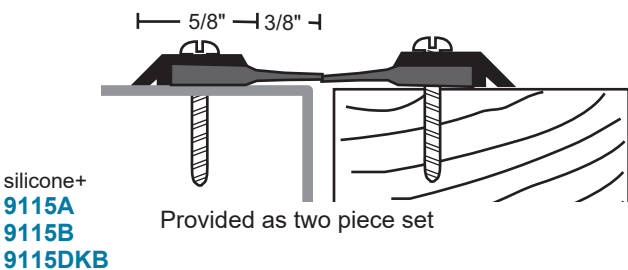
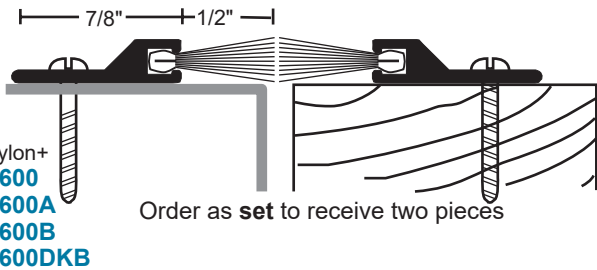
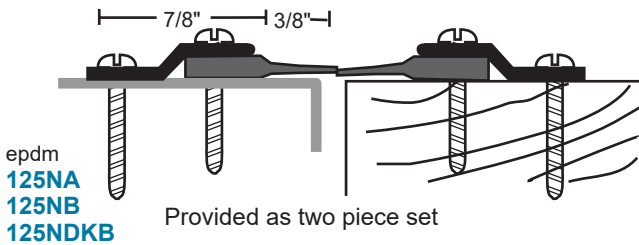
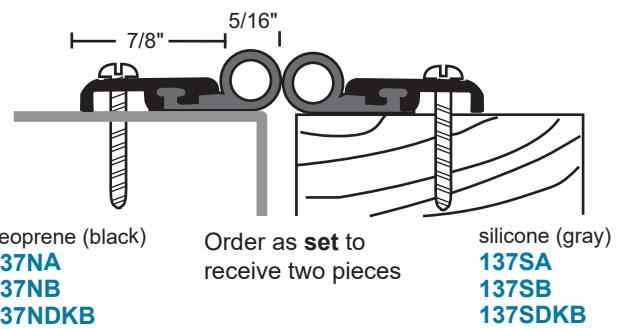
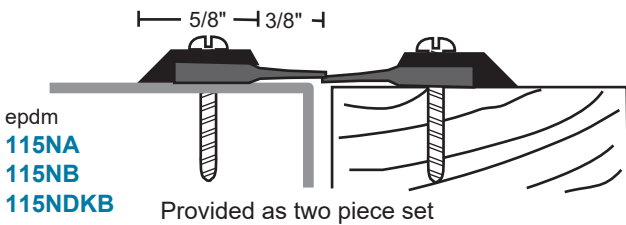


Smoke-Rated Astragal Seals

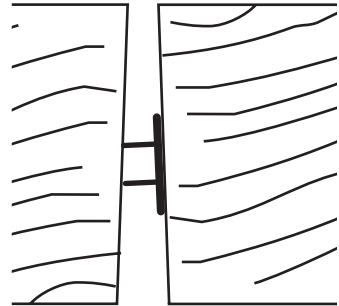
Fire-rated Astragal Seals cannot replace any astragal required on the door by the door manufacturer to maintain its fire label. IBC, NFPA 80, NFPA105, and NFPA 252 require the gap at the meeting edge between fire labeled doors must not exceed 1/8".

#6 x 3/4" Stainless Steel Sheet Metal Screws furnished. Screw holes are slotted for adjustment.

Metal	epdm	silicone	nylon+
A - anodized aluminum	gray	tan	gray
B - gold	black	tan	black
DKB - dark bronze	black	tan	black
no suffix - mill aluminum	gray	tan	gray



All products this page



5070B Brown
5070CL Clear
self-adhesive TPE

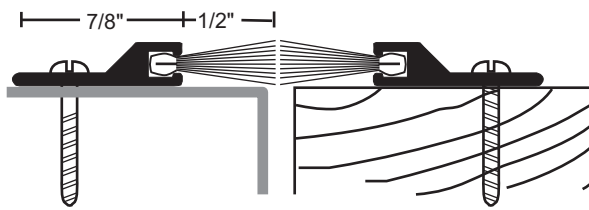


* antimicrobial not available in clear

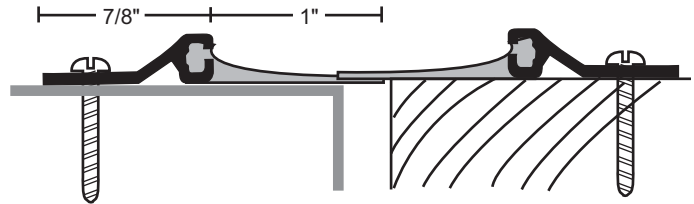
Surface Mounted Astragal Sets

#6 x 3/4" Stainless Steel SMS furnished.
Screw holes are slotted for adjustment.

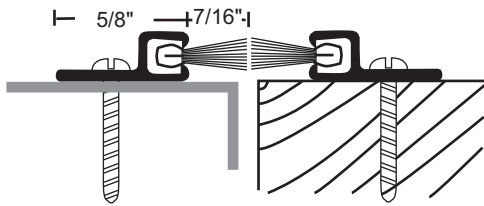
A - anodized aluminum
B - gold
DKB - dark bronze
no suffix - mill aluminum
Brush is gray with mill finish and anodized aluminum metal; black with gold and DKB
vinyl is gray, except * vinyl is black



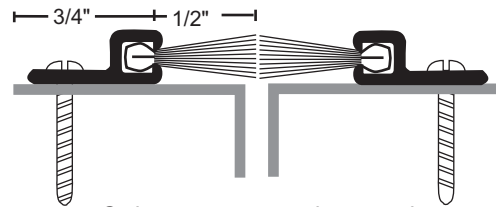
nylon brush Order as **set** to receive two pieces
600
600A
600B
600DKB



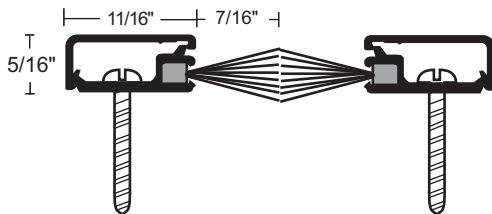
vinyl Order as **set** to receive two pieces
97V
97VA
97VB
97VDKB*



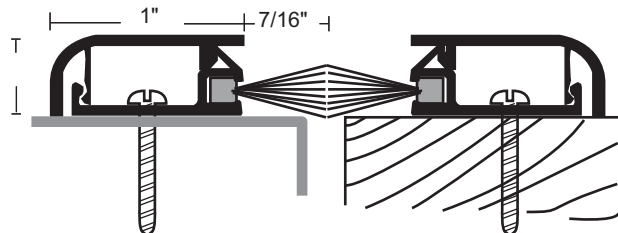
nylon brush Order as **set** to receive two pieces
A605A
A605B
A605DKB



nylon brush Order as **set** to receive two pieces
B606A
B606B
B606DKB



nylon brush Order as **set** to receive two pieces
672A
672B
672DKB

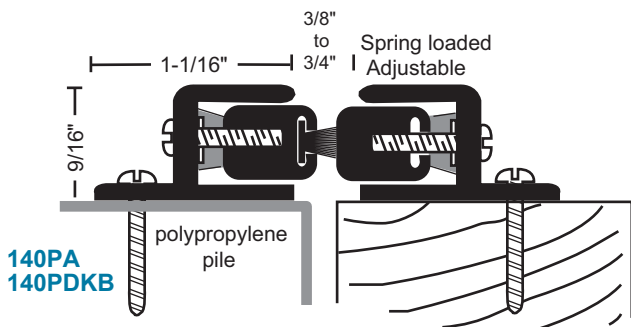


nylon brush Order as **set** to receive two pieces
675A
675B
675DKB



Spring Adjustable Astragal Sets

- Adjustment screws on 10" centers allow adjustment of the seal without re-positioning mounting location
- Spring-loaded to maintain constant pressure for the most effective seal



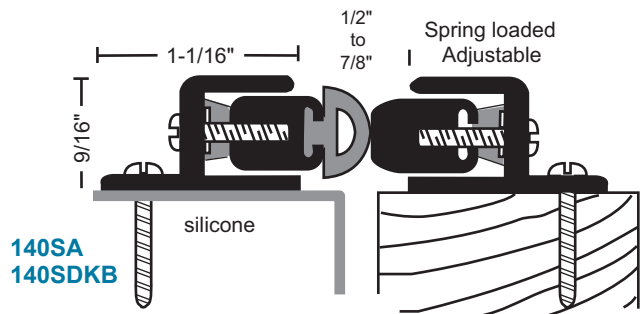
140PA
140PDKB



*

Provided as two piece set

* up to 3 hrs. metal doors, 20 min., wood doors



140SA
140SDKB

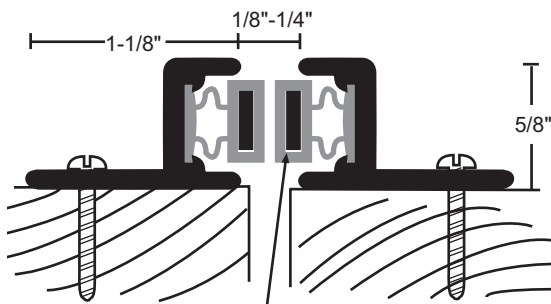


BHMA
CERTIFIED

Provided as two piece set

Magnetic Astragal Sets

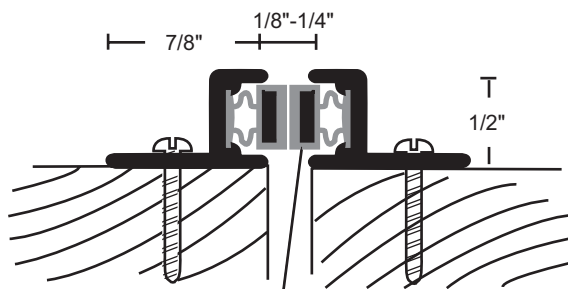
#6 x 3/4" Stainless Steel SMS furnished.
Screw holes are slotted for adjustment
Not recommended for use on metal doors



149MA
149MB
149MDKB



Provided as two piece set

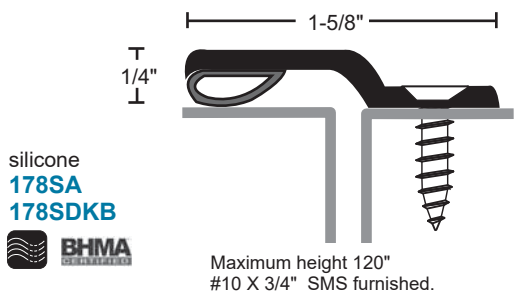
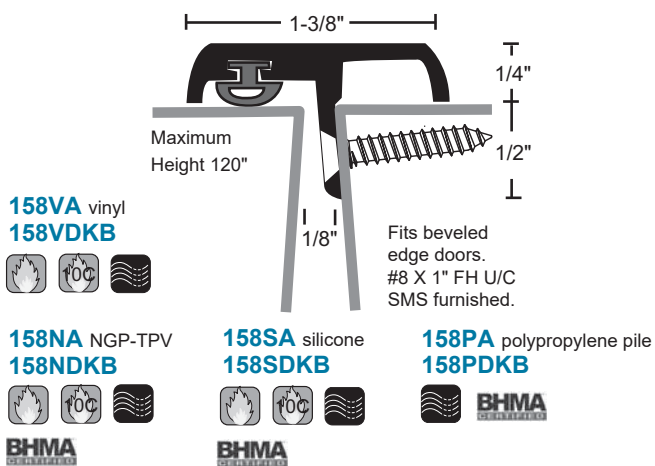
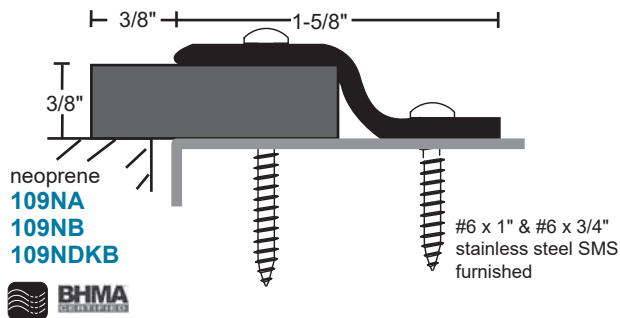


189MA
189MDKB

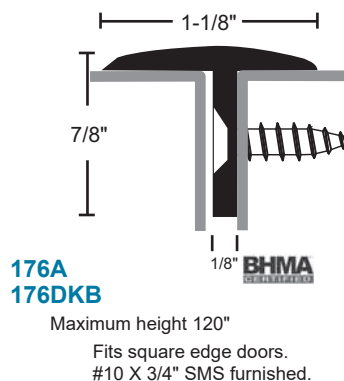
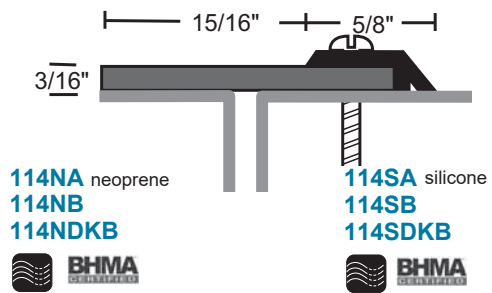


Provided as two piece set

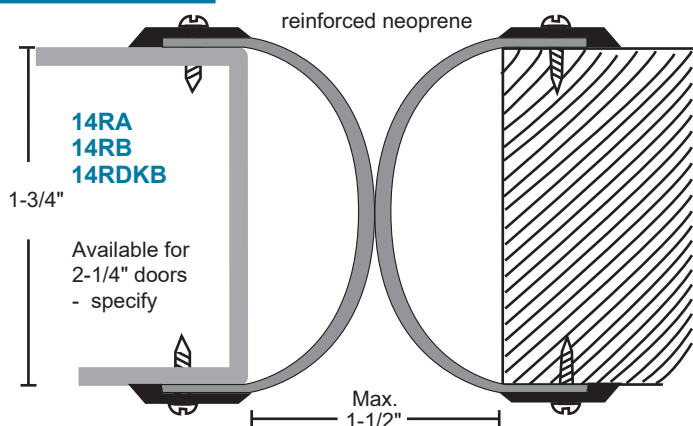
Overlapping Astragals



A - anodized aluminum
B - gold
DKB - dark bronze
no suffix - mill aluminum
 vinyl & pile are gray
 neoprene, NGP-TPV & silicone are
 black; except 114 silicone is gray

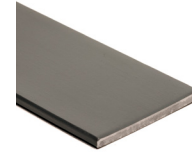


Specialty Astragal



Solid Metal Astragals

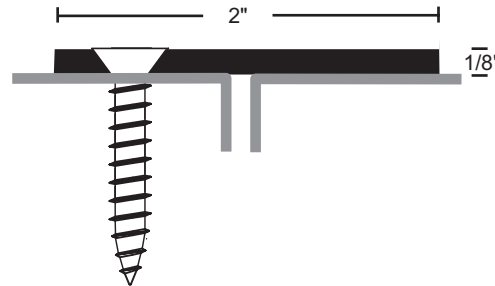
- Available lead-lined .030" thick lead, suffix "LD"
- Available with SNB, specify



139SP Steel Prime Coat
139SPDKB Steel Dark Bronze



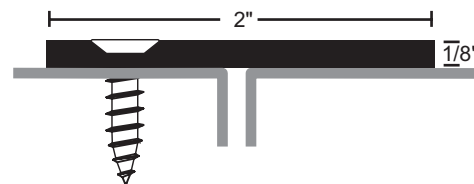
Furnished with #12 x 1-1/4" SMS. Can replace astragal required by the door manufacturer on wood or metal fire-rated doors. IBC, NFPA80, NFPA 252 require the gap at the meeting edge between fire labeled doors must not exceed 1/8". Astragal must overlap gap and inactive door minimum of 3/4".



139A Anodized Aluminum
139DKB Aluminum Dark Bronze



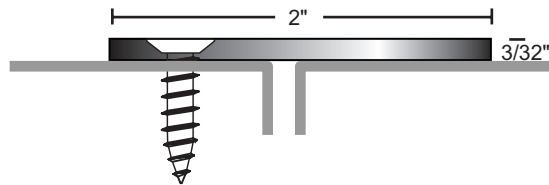
#10 x 3/4" SMS furnished



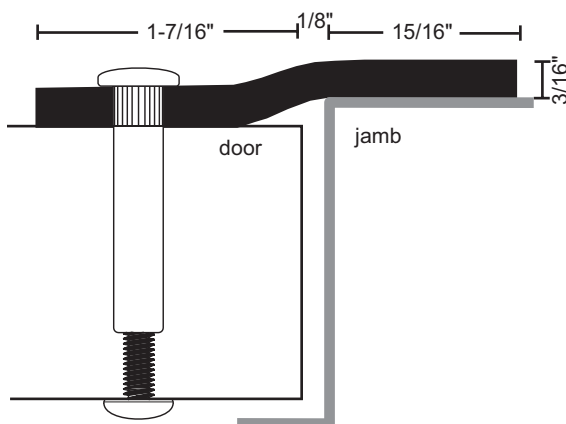
139SS Stainless Steel
type 304 brushed #4 finish (US32D, 630)



#10 x 3/4" SMS furnished



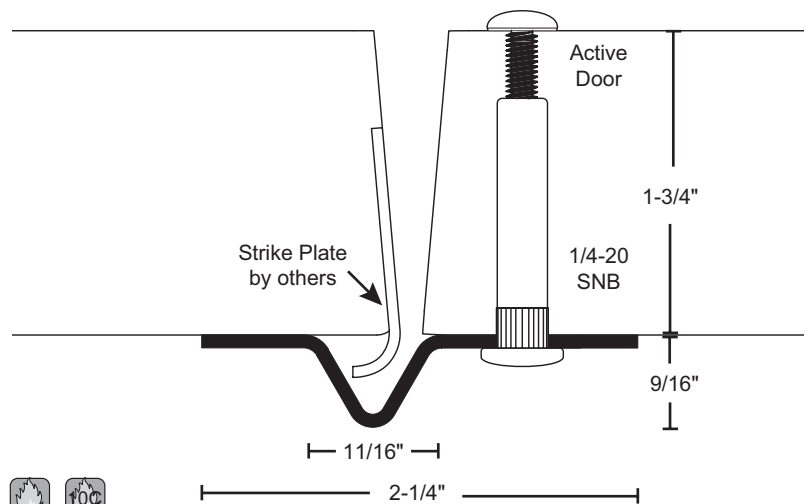
Steel Security Astragals



1392SP Steel Prime Coat



Maximum height 120"
#1/4-20 SNB's furnished.

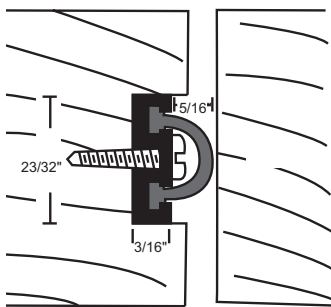
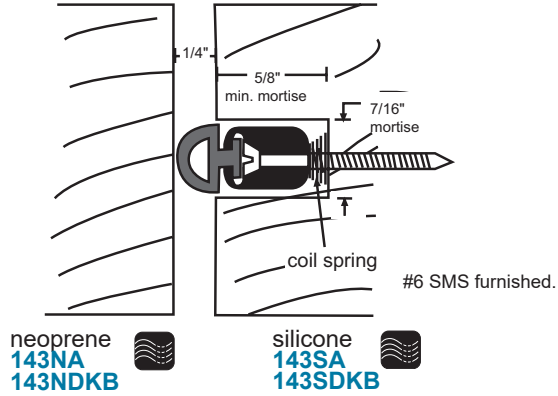
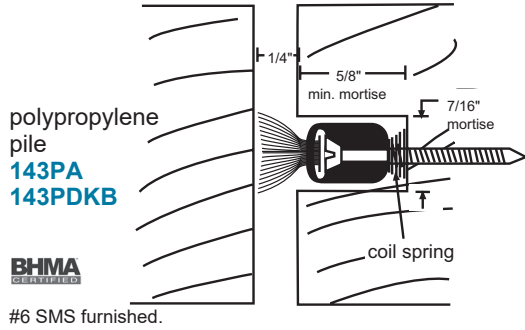


1390SP-83-1/8" 14 Ga. Galvanneal Steel Prime Coat
1390SP-95-1/8"

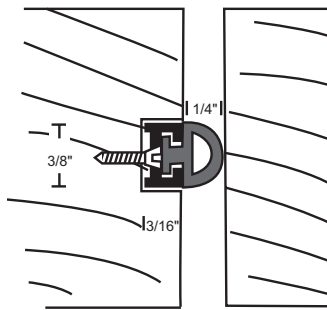
No notching or field cutting needed for curved lip strikes

Mortised Astragals

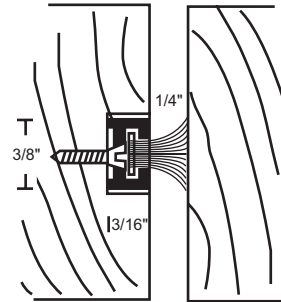
A - anodized aluminum
B - gold
DKB - dark bronze
no suffix - mill aluminum
 nylon brush, pile, and vinyl are gray
 neoprene, NGP-TPV & silicone are black



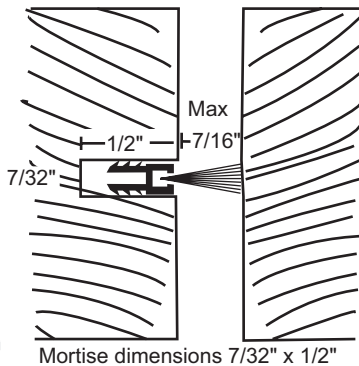
Mortise dimensions 3/4" wide x desired depth.
 #6 X 3/4" SMS furnished.



Mortise dimensions 7/16" wide x desired depth. #2 SMS furnished.

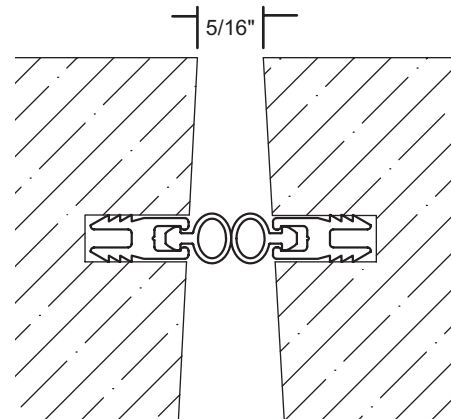


Mortise dimensions 7/16" wide x desired depth.
 #2 SMS furnished.



Order as **set** to receive two pieces
 Maximum length 108"

- 151N** NGP-TPV
BHMA
 CERTIFIED
- 151S** silicone
BHMA
 CERTIFIED
- 151V** vinyl
BHMA
 CERTIFIED

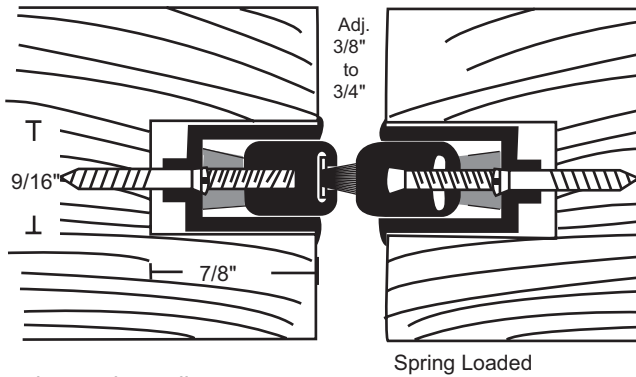


Mortise dimensions 7/32" wide x 1/2"
 Order as **set** to receive two pieces
 Maximum length 108"

Spring Adjustable Mortised Astragals

- Adjustment screws on 10" centers allow adjustment of the seal without repositioning mounting location.
- Spring-loaded to maintain constant pressure for the most effective seal.

A - clear anodized
B - gold
DKB - dark bronze
Pile is gray
Silicone is black

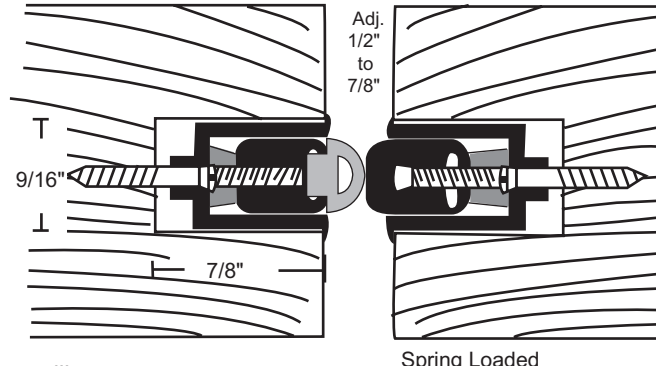


polypropylene pile

144PA
144PDKB

Mortise dimensions 9/16" wide x 7/8"
#8 x 3/4" SMS furnished

Provided as two piece set



silicone

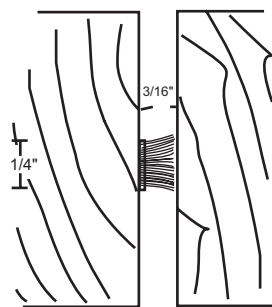
144SA
144SDKB

Mortise dimensions 9/16" wide x 7/8"
#8 x 3/4" SMS furnished

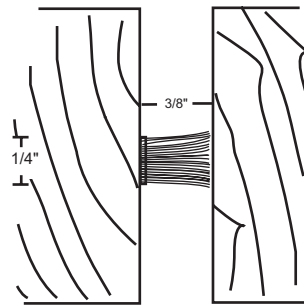
Provided as two piece set



Self-Adhesive Pile Astragals



340P polypropylene pile



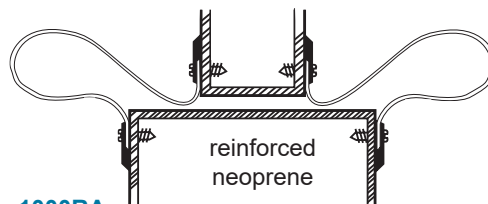
336P polypropylene pile



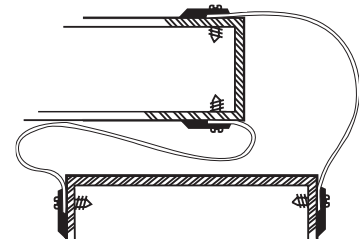
Safety Seal for Double-Acting Doors

Seals and closes gap at heel of double-acting or center pivoted doors.

#6 x 3/4" Stainless Steel Sheet
Metal Screws furnished.



1000RA
1000RB
1000RDKB

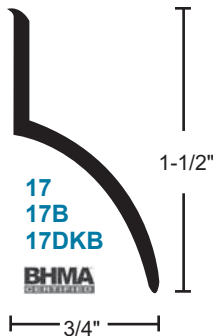
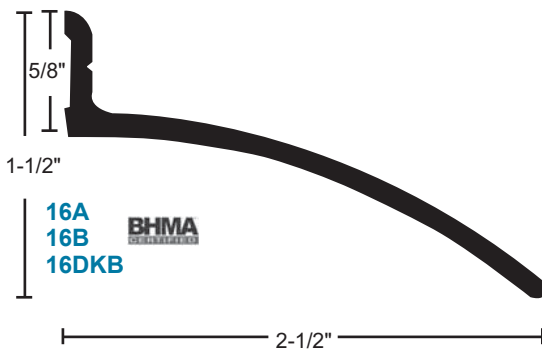


5", 10" or 16" overall widths available - Specify

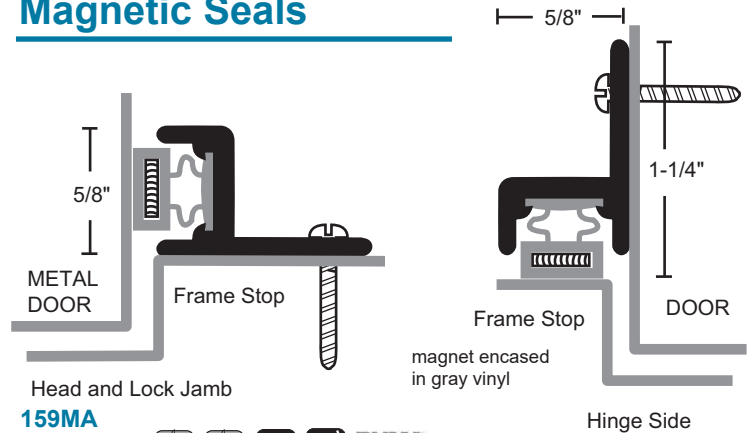
Rain Drip Guards

#6 x 3/4" Stainless Steel
SMS furnished

A - anodized aluminum
B - gold
DKB - dark bronze
No Suffix - mill aluminum



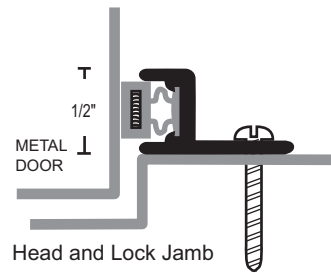
Magnetic Seals



159MA
159MB
159MDKB



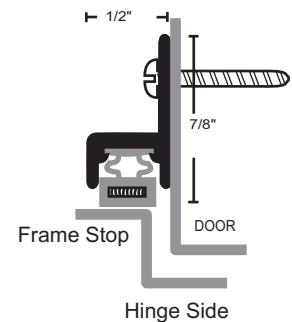
#6 x 3/4" Stainless Steel SMS furnished.
Screw holes slotted for adjustment.
Maximum length 144"



157MA
157MDKB

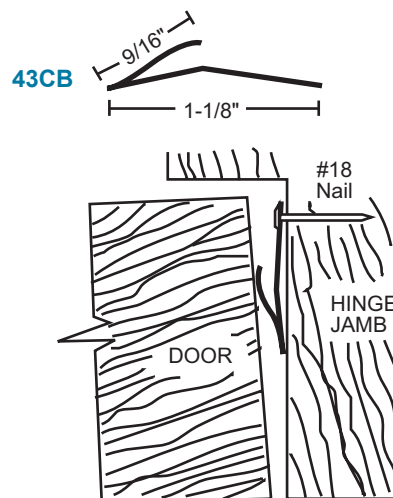


magnet encased in brown vinyl



Cushion Bronze Weatherstrip

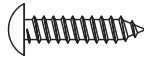
Cushion material will not coil. Specify lengths required (36", 48", 72", 86", and 96".) Nails not included. Normal installation requires 3/4 lb. of nails per 100 ft. of weatherstrip; install 2" o.c. Zinc plated bronze finish nails available in 1 lb. bags. Wafer head pilot point drive nails make excellent applications for metal jambs, normal installation requires 6 per foot. Install using #41 drill bit. Available with Fast Attach Tape - Specify x "FATT".



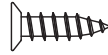
GASKETING FASTENERS



#2 x 1/2" FH
Phillips SMS



#4 x 5/8" TH
Phillips SMS
Use 5/64" Drill



#6 x 1/2" FH
Phillips SMS
Use 7/64" Drill



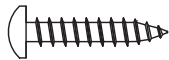
Phillips Head
Top View



Spanner Head
Top View



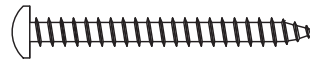
Torx Security
Top View



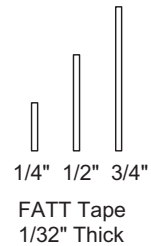
#6 x 3/4" PH
Phillips SMS
Use 7/64" Drill



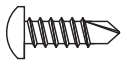
#6 x 1" PH
Phillips SMS
Use 7/64" Drill



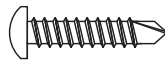
#6 x 1 1/2" PH
Phillips SMS
Use 7/64" Drill



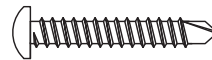
1/4" 1/2" 3/4"
FATT Tape
1/32" Thick



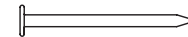
#6 x 1/2"
Phillips
TEK Screw



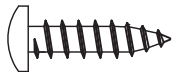
#6 x 3/4"
Phillips
TEK Screw



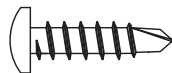
#6 x 1"
Phillips
TEK Screw



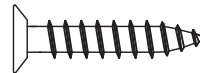
#18 x 7/8" Nail for
Spring/Cushion
Bronze Weather Strip
on Wood Jambes



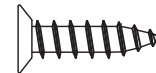
#8 x 3/4" PH
Phillips SMS
Use 9/64" Drill



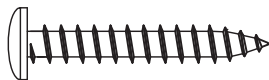
#8 x 3/4"
Phillips
TEK Screw



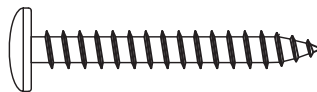
#8 x 1" FH
Phillips U/C SMS
Use 9/64" Drill



#10 x 3/4" FH
Phillips U/C SMS
Use 11/64" Drill



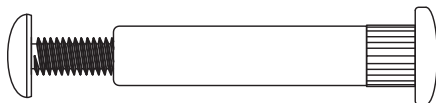
#8 x 1 1/4" TH
Phillips SMS
Use 9/64" Drill



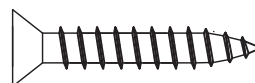
#10 x 1 1/2" TH
Phillips SMS
Use 11/64" Drill



#4 Wafer Head Drive Nail
for Spring/Cushion
Bronze Weather Strip
on Metal Jambes
Use #41 Drill bit for pilot hole



#1/4 - 20 Phillips SNB



#12 x 1 1/4" FH
Phillips SMS

PH = Pan Head
FH = Flat Head
TH = Truss Head
MS = Machine Screw
SMS = Sheet Metal Screw
SNB = Sex Nut & Bolt
U/C = Undercut