

117-1/2" Pivot Set
1-1/2" Offset, Single Acting
Handed

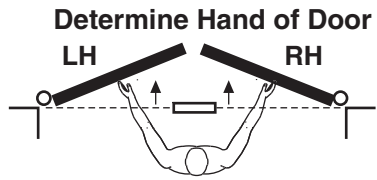
RIXSON
ASSA ABLOY
www.rixson.com

NUMBER	IS117.5x1.5	DATE	07-09
--------	-------------	------	-------

117-1/2" Pivot Set, 1-1/2" Offset

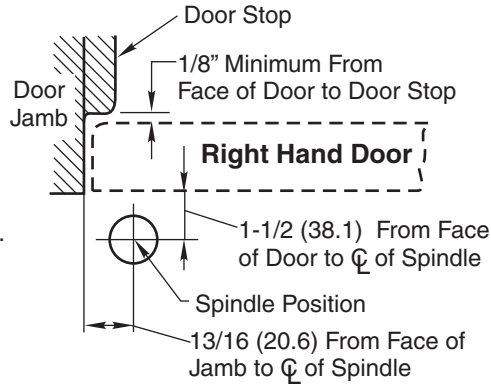
1-1/2" Offset Pivot

Handed

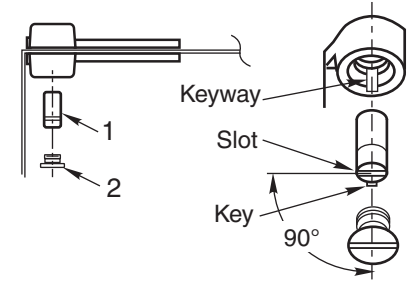


1. Locate Pivot

- A. Measure 13/16 (20.6) from door jamb.
- B. Allow 1/8 (3.2) minimum clearance from door stop to door face. Measure door thickness; add 1-1/2 (38.1).
- C. Where lines meet determines centerline of pivot.



- F. Grout in cement case with bottom pivot. Cement should not get between pivot and cement case.
- G. A dummy steel floor plate is provided in the event that grinding of floors is necessary.



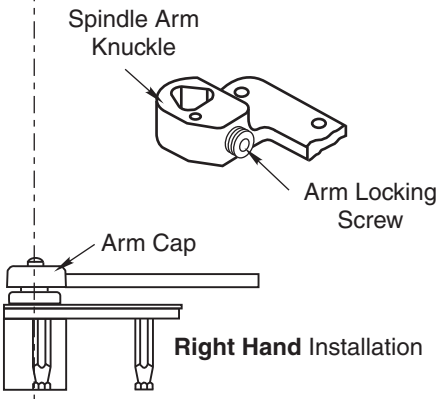
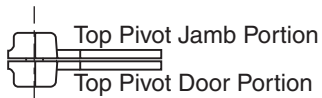
3. Install Top Pivot And Pivot Arm

- A. Install top pivot in door per template.
- B. Install top pivot in frame per template.
- C. Install arm in door per template.
- D. Centerline of top pivot should line up with centerline of spindle. Use Plumb Line as illustrated.
- E. If side jamb pivot is used, see required template.

- F. If door drags at floor or threshold (if used), loosen arm locking screw, raise door to desired clearance and insert one or more 1/16 (1.6) shims.
- G. Tighten Arm and Locking Screw securely.
- H. Put arm cap on arm and secure TIGHTLY with cap screw provided.
- I. Install floor plate, or threshold as required.

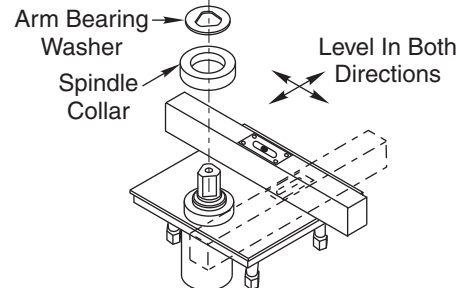
IMPORTANT

Use plumb line to make sure that centerline of top pin lines up with centerline of Pivot Spindle.



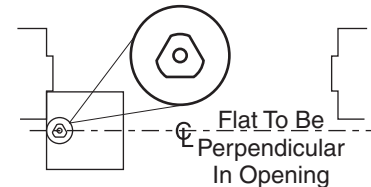
2. Install Cement Case In Floor

- A. For floor plate application, top of cement case is located 1/16 (1.6) below the finished floor.
- B. For threshold application, top of cement case is located flush with the finished floor.
- C. Set cement case in floor and block in position.
- D. Case should be parallel with centerline of door.
- E. Cement case should be level. Place level per illustration.

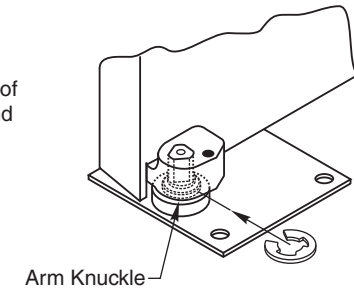


4. Hang Door

- A. To facilitate hanging of door, position flat on side of spindle so it is perpendicular with the opening, and pointing toward the lock jamb.
- B. Set door on spindle.



- C. Push top pivot pin (1) up into place. Note: Key on pin MUST ALIGN WITH KEYWAY. Keyway is towards face of door. Slot in pin is parallel to face of door.
- D. See Installation Instructions for M19/M190 x 1-1/2 Intermediate Pivot.
- E. Attach cap (2). CAP MUST BE TIGHTENED SECURELY.



Do Not Scale Drawing

117-1/2" Pivot Set
1-1/2" Offset, Single Acting
Handed

RIXSON

ASSA ABLOY

www.rixson.com

NUMBER

IS117.5x1.5

DATE

07-09