

Submittal Set for:

Design Within Reach
140 University Town Center Dr.
Suite #154, Ground Level
Sarasota, FL 3424



super/contact:

Will Sexton

360-224-4432

brandon.sneed@mcm.build

Prepared by:

Architectural Builders

3435 Enterprise Ave

Naples FL 34104

Rich Howard

773-809-3667

rhoward@absupply.net

Date: March 22, 2025

Version 1

Doors:

Qty 1

Tag 02 = single HMD x Type A x FOH Vestibule to BOH Vestibule

3/6 x 7/0 x 1-3/4" x Flush x 18 ga. x CRS x prepped for 3 - 4-1/2 x .134 butts x 86 edge with function holes for L9092EU x 02A x raceway with middle hinge drilled for power transfer x LCN 3130 closer x RHR x 90° - Ceco

Qty 1

Tag 03 = single HMD x Type A x FOH Vestibule to Restroom 1

3/0 x 7/0 x 1-3/4" x Flush x 18 ga. x CRS x prepped for 3 - 4-1/2 x .134 butts x 86 edge with function holes for L9040 x 02A x LCN 3130 closer x 90° x LH - Ceco

Qty 1

Tag 04 = single HMD x Type A x FOH Vestibule to Restrooms 2

3/0 x 7/0 x 1-3/4" x Flush x 18 ga. x CRS x prepped for 3 - 4-1/2 x .134 butts x 86 edge with function holes for L9040 x 02A x LCN 3130 closer x 90° x RH - Ceco

Qty 1

Tag 05 = pair HMD x Type A x BOH Vestibule to Mall Corridor

Pair 3/0 x 7/0 x 1-3/4" x Flush x 18 ga. x CRS x prepped for 3 - 4-1/2 x .180 butts per jamb x Active = 86 edge with function holes for L9092EU x 02A x raceway with middle hinge drilled for power transfer x Inactive to include attached 4441 astragal set for pair prepped for 1 pair 2842 flush bolts & 4-7/8" strike x both doors reinforced for RA mount door closers x RHRA x 90° - Ceco

Qty 1

Tag 06 = single HMD x Type A x Pantry to Office

3/0 x 7/0 x 1-3/4" x Flush x 18 ga. x CRS x prepped for 3 - 4-1/2 x .134 butts x 86 edge with function holes for L9010 x 02A x x RHR x 90° - Ceco

Qty 1

Tag 07 = single HMD x Type A x Office to Electrical

3/0 x 7/0 x 1-3/4" x Flush x 18 ga. x CRS x prepped for 3 - 4-1/2 x .134 butts x 86 edge with function holes for L9092EU x 02A x raceway with middle hinge drilled for power transfer x LCN 3130 closer x LH x 90° - Ceco

Frames:

Qty 1

Tag 02 = HMF x Type 2A x FOH Vestibule to BOH Vestibule

3/6 x 7/0 x 5-3/4" JD x 4-7/8" throat x single rabbet x full face welded x 3 welded in steel stud anchors per jamb x 3 - 4-1/2 x .134 butts x middle hinge drilled for power transfer x 4-7/8" strike x LCN 3130 closer x RHR x 90° - Ceco

Qty 1

Tag 03 = HMF x Type 2A x FOH Vestibule to Restroom 1

3/0 x 7/0 x 5-3/4" JD x 4-7/8" throat x single rabbet x full face welded x 3 welded in steel stud anchors per jamb x 3 - 4-1/2 x .134 butts x 4-7/8" strike x LCN 3130 closer x LH x 90° - Ceco

Qty 1

Tag 04 = HMF x Type 2B x FOH Vestibule to Restroom 1

3/0 x 7/0 x 5-3/4" JD x 4-7/8" throat x unequal double rabbet x full face welded x 3 welded in steel stud anchors per jamb x 3 - 4-1/2 x .134 butts x 4-7/8" strike x LCN 3130 closer x RH x 90° - Ceco

Qty 1

Tag 05 = HMF x Type 2B x BOH Vestibule to Mall Corridor

6/0 x 7/0 x 5-3/4" JD x 4-7/8" throat x unequal double rabbet x full face welded x 3 welded in steel stud anchors per jamb x 3 - 4-1/2 x .180 butts per jamb x raceway with middle hinge drilled for power transfer x 4-7/8" strike x reinforced for 2 - RA mount surface closers x 90° x RHRA - Ceco

Qty 1

Tag 06 = HMF x Type 2B x Pantry to Office

3/0 x 7/0 x 5-3/4" JD x 4-7/8" throat x unequal double rabbet x full face welded x 3 welded in steel stud anchors per jamb x 3 - 4-1/2 x .134 butts x 4-7/8" strike x RHR x 90° - Ceco

Qty 1

Tag 07 = HMF x Type 2B x Office to Electrical

3/0 x 7/0 x 5-3/4" JD x 4-7/8" throat x unequal double rabbet x full face welded x 3 welded in steel stud anchors per jamb x 3 - 4-1/2 x .134 butts x middle hinge drilled for power transfer x 4-7/8" strike x LCN 3130 closer x LH x 90° - Ceco

Qty 1

Tag 08 = HMF x Type 2C x Sales Area to FOH Vestibule

4/0 x 8/0 x 5-3/4" JD x 4-7/8" throat x cased opening x full face welded x 4 welded in steel stud anchors per jamb - Ceco

Hardware:

Qty 13 = (02 x 2), (03 x 3), (04 x 3), (06 x 3), (07 x 2)

Full Mortise Hinge TA314 x 4-1/2 x 4-1/2 x TMS x 626 - McKinney

Qty 5 = (05 x 5)

Full Mortise Hinge TA386 x NRP x 4-1/2 x 4-1/2 x TMS x 626 - McKinney

Qty 2 = (02 x 1), (07 x 1)

Full Mortise Power Transfer Hinge TA314 x QC-8 x 4-1/2 x 4-1/2 x TMS x 626 - McKinney

Qty 1 = (05 x 1)

Full Mortise Power Transfer Hinge TA386 x QC-8 x 4-1/2 x 4-1/2 x TMS x 626 - McKinney

Qty 2 = (02 x 1), (07 x 1)

Power Transfer Cable CON-50 - Allegion

Qty 1 (03 x 1)

Mortise Privacy Set L9040 x 02 x A x 09-509xL583-363 x LH x 626 - Schlage

Qty 1 (04 x 1)

Mortise Privacy Set L9040 x 02 x A x 09-509xL583-363 x RH x 626 - Schlage

Qty 2 (02 x 1), (05 x 1)

Electrified Storeroom Function Mortise Lock L9092EU x [core/key] x RX x 02 x A x RHR x 626 - Schlage

Qty 1 (07 x 1)

Electrified Storeroom Function Mortise Lock L9092EU x [core/key] x RX x 02 x A x LH x 626 - Schlage

Qty 1 (06 x 1)

Mortise Passage Set L9010 x 02 x A x RHR x 626 - Schlage

Qty 1 (05 x 1)

Single Dummy Set L0170 x 02 x A x LHR x 626 - Schlage

Qty 3 (02 x 1), (03 x 1), (07 x 1)

Concealed Door Closer 3133 x size 3 x standard fastener package x LH x 689 - LCN

Qty 1 (04 x 1)

Concealed Door Closer 3133 x size 3 x standard fastener package x RH x 689 - LCN

Hardware continued:

Qty 1 (05 x 1 active)

Surface Door Closer 4011 x Size 3 x TBSRT x LH x 689 - LCN

Qty 1 (05 x 1 inactive)

Surface Door Closer 4011 x Size 3 x TBSRT x RH x 689 - LCN

Qty 1 (05 x 1)

Pair Automatic Flush Bolts 2842 x standard fastener package x 630 - Rockwood

Qty 1 (05 x 1)

Dust Proof Strike 570 x standard fastener package x 626 - Rockwood

Qty 7 (02 x 1), (03 x 1), (04 x 1), (05 x 2), (06 x 1), (07 x 1)

Floor Stop FS436 x standard fastener package x 626 - Ives

Qty 17 (02 x 3), (03 x 3), (04 x 3), (05 x 2), (06 x 3), (07 x 3)

Metal Frame Silencers SR64 x white - Ives

Notes:

1. Confirm all Jamb Depths and throat sizes. I am concerned I do not have the correct Jamb/throat size called out.
2. Additional lengths of wire with Molex connector one side and pinned or stripped on one side will be required and can be added if Security Vendor is not providing.
3. Power supplies are required to power the electrified locksets and can be added if Security Vendor is not providing.
4. On opening 05 I suggest adding gasketing for the perimeter to serve as a means to deaden the transmission of sound from corridor to occupied space. There is a threshold shown on the sill detail, but not in the hardware set.
5. On opening 05 I suggest adding hold open devices to both doors
6. On opening 05 I suggest adding a bar coordinator to properly time the closing of the leafs (any gasketing to be added for the perimeter is to be "hardware compatible")
7. On opening 05 please confirm the active leaf is indeed RHR
8. On opening 05 would occupancy load require exit/exits on this door?
9. On opening 07 should there be a source of fresh air?
10. On opening 07 should this door be fire rated?
11. On opening 06, does this door need to exist? Perhaps deduct the door and install a cased opening frame. I see it is an "office". If used by management, should the door remain and a keyed lock added to this door?
12. On opening 6 a card reader is shown on the elevation. This door has a passage latch currently.
13. I changed the CON-50P to CON-50 as you do want Molex connectors on both ends of the cable.
14. I changed the QC-12 to QC-8 as 4 pairs of wires is adequate to provide the lockset everything it requires.
15. The Notes call out for Primus and SFIC. Primus is not available in SFIC. Shall I provide Primus in FSIC or SFIC housing with construction cores (happy to chat about this one Rich 773-809-3667)
16. If you have not "let" the Division 10 restroom equipment, I can add that to the order and this submittal.

Summary:

B = 2

C = 2

D = 1

E = 1

02 = RHR

03 = LH

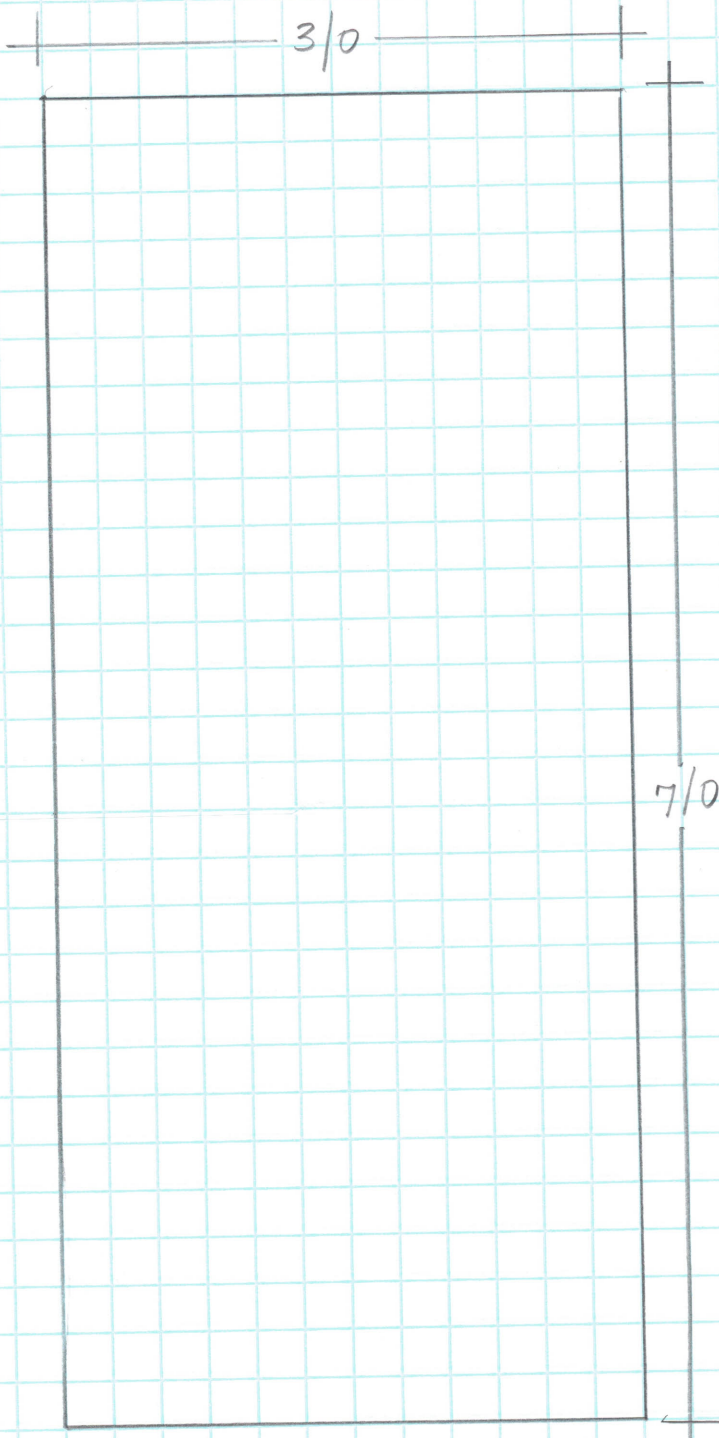
04 = RH

05 = RHRA

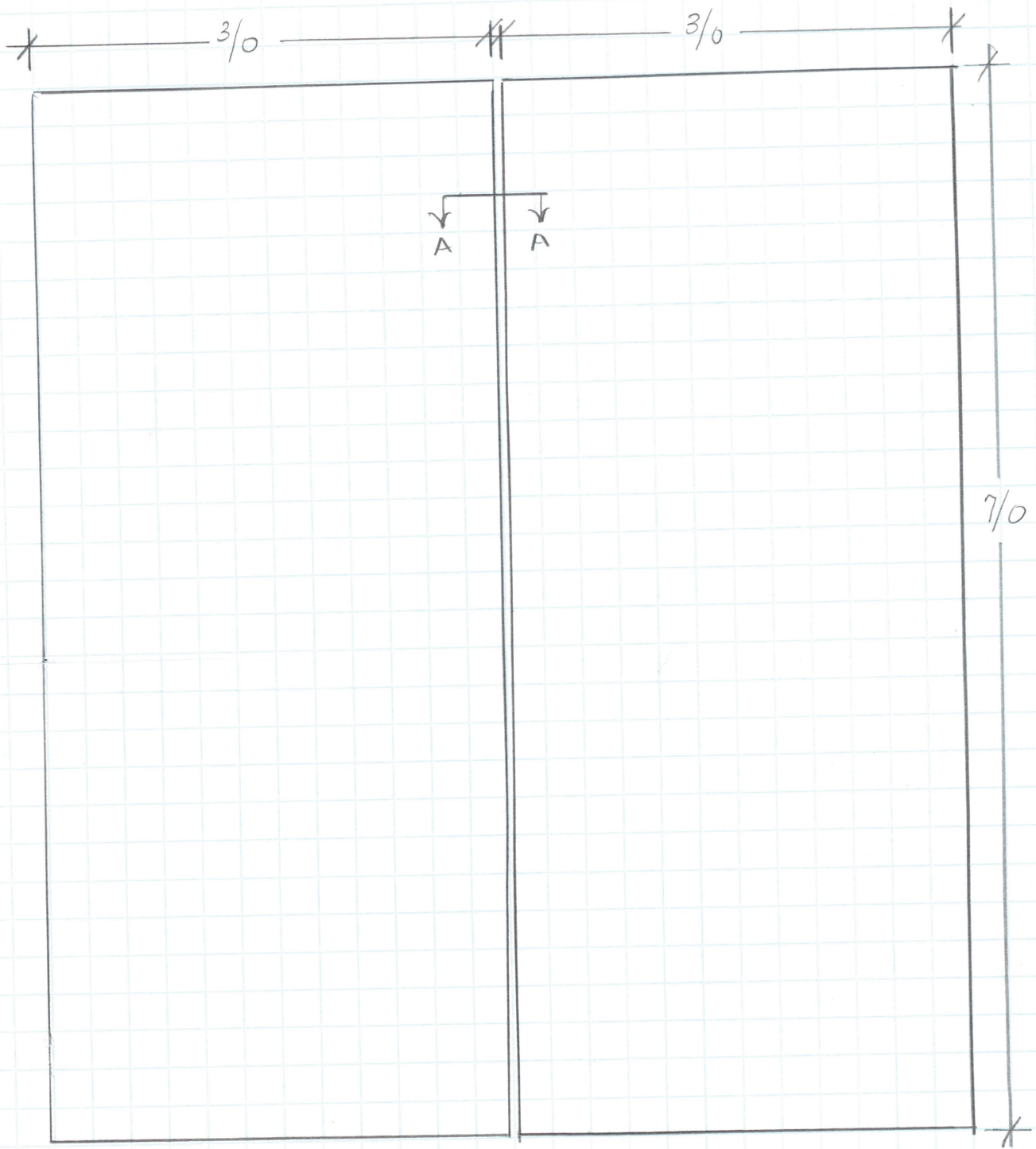
06 = RHR

07 = LH

08 = n/a

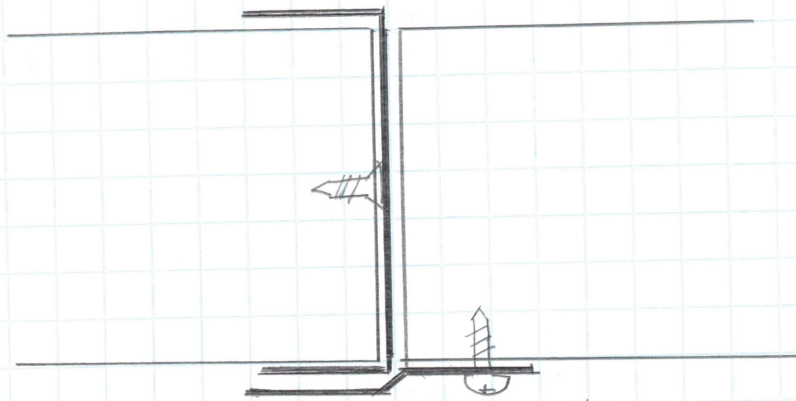


τυπε Α



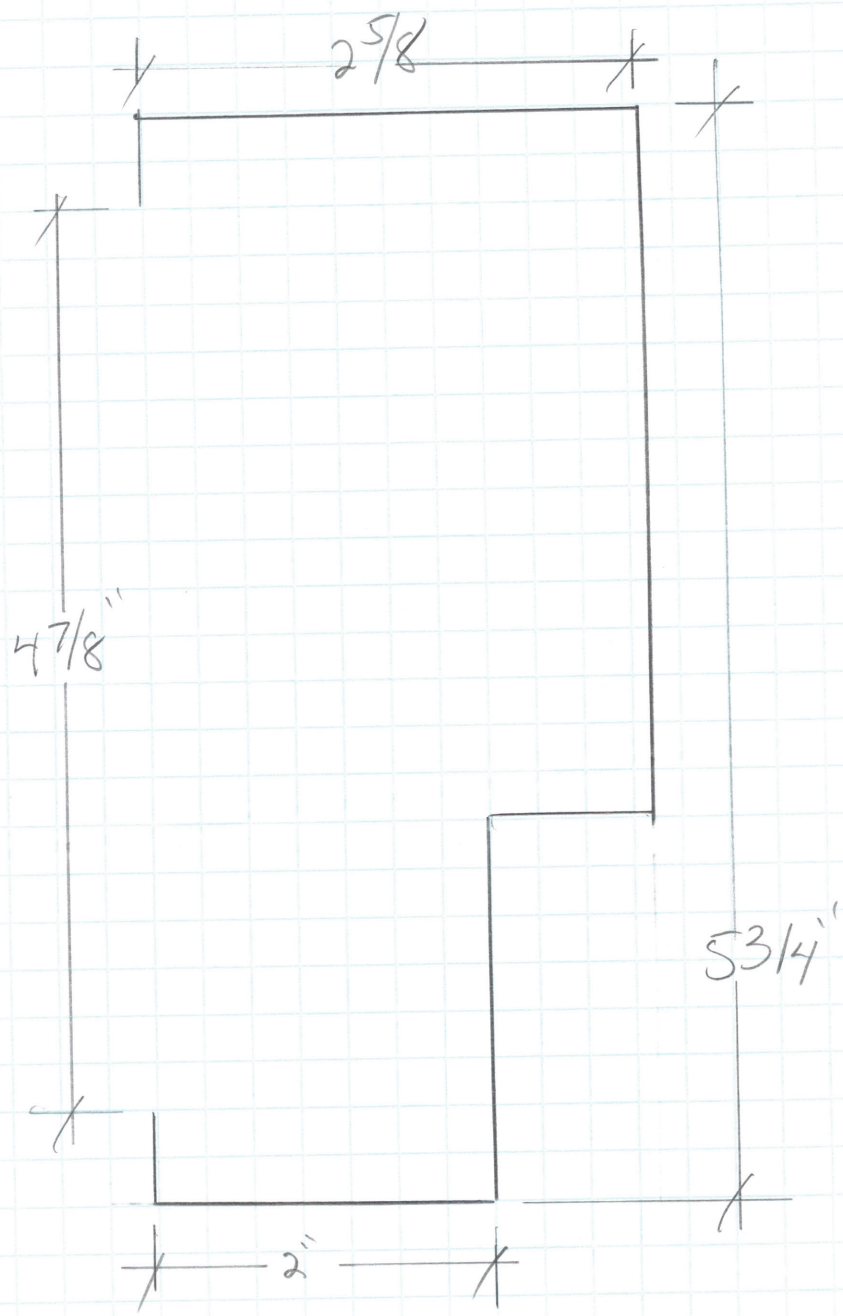
$\tau \gamma \pi \epsilon \beta$

2-ΠΛΕΞΕ ΔΟΤΡΑΧΑΛ

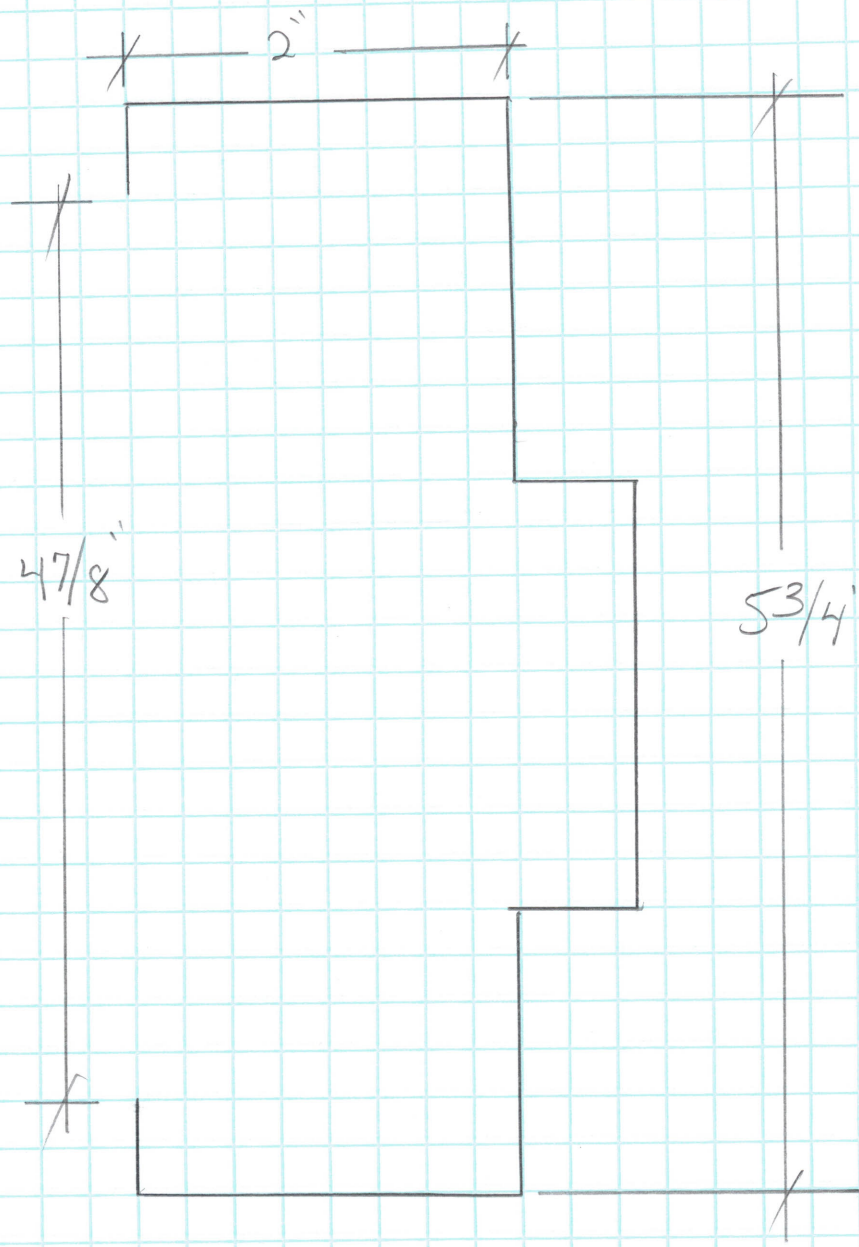


A - A

RΗ.ΡΑ @ 05



2 A
2 γ π ε



ΤΥΠΕ 2 Β

Legion™ / Ultrador™

Polystyrene Core

Features

- 1-3/4" (44.4 mm) insulated full flush design - rated for light to extra-heavy-duty use
- Polystyrene core provides insulation characteristics and resistance to impact
- Core is chemically bonded to face sheets providing total surface support
- Mechanically interlocked, hemmed vertical edge seams (as shown) or center edge seam for added strength and rigidity.
- 7 gauge (4.2 mm) steel hinge reinforcement
- Inverted end channels welded to both face sheets
- Rust inhibitive prime paint base coat meets ANSI A250.10

Available Options

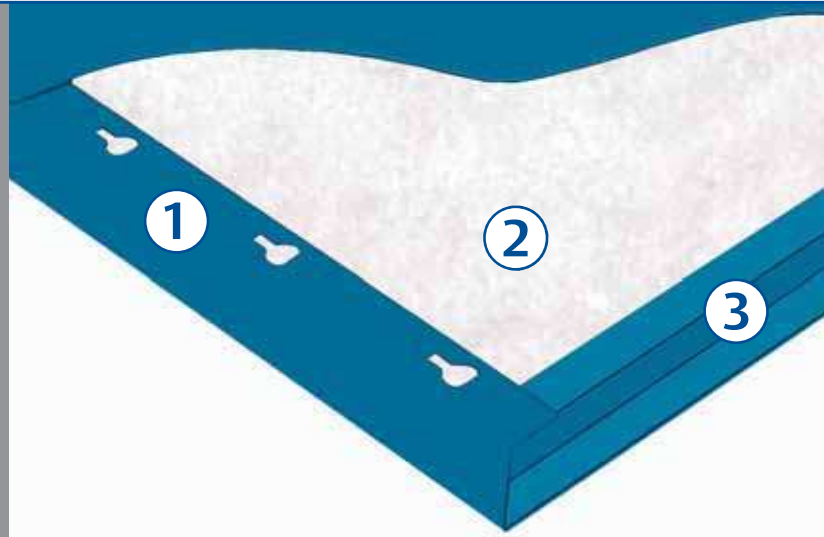
- 14 gauge (1.7mm) closer reinforcement
- Galvannealed, galvanized, or textured pattern steel
- Steel end channel filler cap
- Seamless design by application of epoxy filler or continuous welding
- Applied or flush-welded steel glass kits
- Factory installed insulated glazing
- Colorstyle factory finish (see page 46)
- ElectroLynx® pre-wired quick connect cable (see page 36)

Legion™

- Handed as specified
- Lock edge beveled 1/8" in 2" (1:16)
- For any standard commercial template hardware

UltraDor™

- Non-handed
- Square lock edge
- For any standard commercial template hardware



1. Mechanically interlocked, hemmed vertical edge seam for strength and rigidity.
2. Polystyrene core provides insulation characteristics and resistance to impact.
3. Core is chemically bonded providing total surface support.

DOOR LEVEL AVAILABILITY				
MODEL	TYPE	GAUGE	DEC	MM
LEVEL 1 LIGHT COMMERCIAL				
1	Flush	20	0.032	0.8
2	Seamless	20	0.032	0.8
LEVEL 2 HEAVY-DUTY COMMERCIAL				
1	Flush	18	0.042	1.0
2	Seamless	18	0.042	1.0
LEVEL 3 EXTRA HEAVY-DUTY COMMERCIAL				
1	Flush	16	0.053	1.3
2	Seamless	16	0.053	1.3
LEVEL 4 MAXIM DUTY COMMERCIAL				
1	Flush	1.4	0.067	1.7
2	Seamless	1.4	0.067	1.7

Performance

- Core Material: Polystyrene
- Thermal Characteristics: R Factor 6.35 (ASTM C518)
- Sound Transmission: STC 23 (18 gauge operable)
- Physical Endurance (Cycle Testing)



Physical Endurance (Cycle Testing)

20 gauge	Level C	250,000 cycles
18 gauge	Level B	500,000 cycles
16 gauge	Level A	1,000,000 cycles
14 gauge	Level A	1,000,000 cycles

Fire Label (Rating): see page 43 for additional information on fire doors

T	20 minute
C	3/4 hour
O	1 hour
B	1-1/2 hour
A	3 hour

Maximum Size

Single	40 x 100 (1219mm x 3048mm)
Pair	80 x 100 (1219mm x 3048mm)

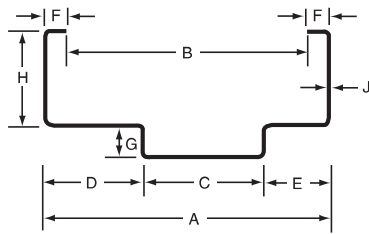


ASSA ABLOY

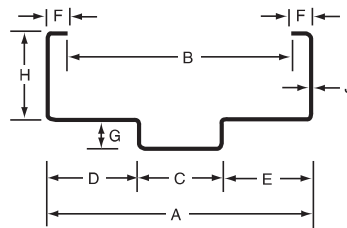
ASSA ABLOY, the global leader
in door opening solutions

Standard Frames

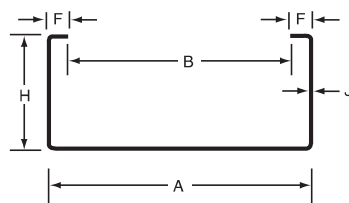
Series SU, SQ, SR and SC Steel Frames



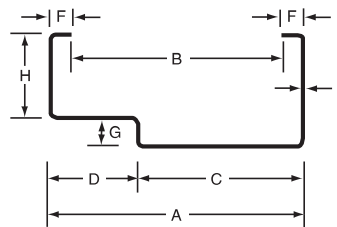
SU



SQ



SC



SR



FRAME SERIES		SQ / SU DOUBLE RABBET	SR SINGLE RABBET	SC CASED OPEN
FRAME DEPTH	(A)	4 5/8" (117.4mm) through 14" (355.6mm) in 1/8" (3.1mm) increments	3" (76.2mm) through 14" (355.6mm) in 1/8" (3.1mm) increments	3" (76.2mm) through 14" (355.6mm) in 1/8" (3.1mm) increments
THROAT	(B)	Variable	Variable	Variable
SOFFIT	(C)	Variable	Variable	Variable
RABBET	(D)	1-15/16" or 1-9/16"	1-15/16" (49.2mm)	—
RABBET	(E)	1-15/16" or 1-9/16"	—	—
BACKBEND	(F)	Std. 1/2" or Variable All three columns.	Variable	Variable
STOP	(G)	Std 5/8" up to 1-1/4"	Std 5/8" up to 1-1/4"	Std 5/8" up to 1-1/4"
FACE	(H)	Std 2" or 1" through 5"	Std 2" or 1" through 5"	Std 2" or 1" through 5"
STEEL	Gauge	(J)	18, 16, 14, 12	18, 16, 14, 12
	mm		1.0, 1.3, 1.7, 2.3	1.0, 1.3, 1.7, 2.3
	dec		.042, 0.53, .067, .093	.042, 0.53, .067, .093

SU indicates a standard frame with "unequal" frame rabbets

SQ indicates a standard frame with "equal" frame rabbets

SR indicates a standard frame with "one" frame rabbet

SC indicates a standard cased frame with no rabbet



ASSA ABLOY

ASSA ABLOY, the global leader
in door opening solutions

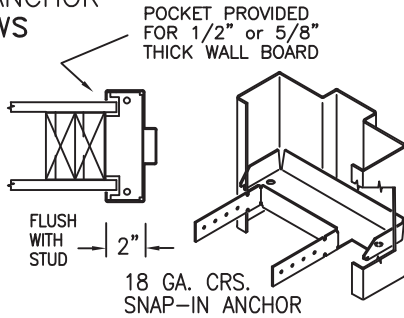
F13-2

JAMB ANCHOR QUANTITIES

2 PER JAMB FOR HEIGHTS >3/6 THRU 5/0 AND ONE FLOOR ANCHOR
 3 PER JAMB FOR HEIGHTS >5/0 THRU 7-2 AND ONE FLOOR ANCHOR
 4 PER JAMB FOR HEIGHTS >7-2 THRU 9-0 AND ONE FLOOR ANCHOR
 5 PER JAMB FOR HEIGHTS >9/0 THRU 10-0 AND ONE FLOOR ANCHOR
 ONE ADDITIONAL JAMB ANCHOR FOR EACH ADDITIONAL 24" IN HEIGHT OR FRACTION THEREOF
 ONE ADDITIONAL JAMB ANCHOR IN LIEU OF FLOOR ANCHOR FOR EXISTING STUDS AND/OR WALLS

(Conversion: 1" = 25.4 mm, e.g., 1-3/4" = 44.45 mm)

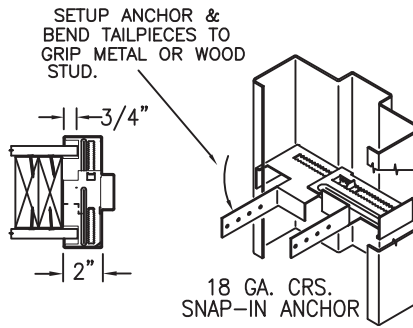
WOOD STUD ANCHOR WS



AVAILABLE 4-3/4", 5-3/4", 6-1/4", 6-3/4", 7-1/8", 7-1/4", 7-3/4", 8-1/4" & 8-3/4" DEPTHS.

(USED ALSO WITH METAL STUD WALLS)

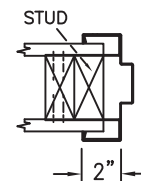
ADJUSTABLE ANCHOR FOR STUD WALLS ADJ/STUD



3-3/4" THRU 8-3/4" DEPTH

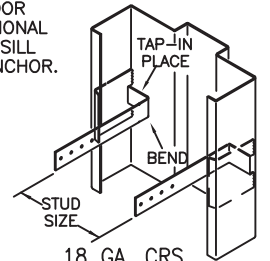
WOOD STUD ANCHOR XP/ANC

ANCHORS ARE BENT IN FIELD TO THICKNESS OF WALLBOARD. IF WALL FRAME WORK IS SET UP BEFORE DOOR FRAME, USE ADDITIONAL JAMB ANCHORS AT SILL INSTEAD OF SILL ANCHOR.

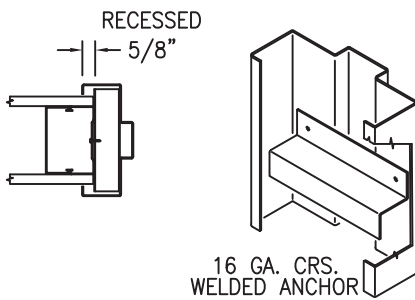


(USED ALSO WITH METAL STUD WALLS)

NOTE
 FRAME IS SET-UP AND JAMBS ANCHORED BEFORE WALLBOARD IS INSTALLED.

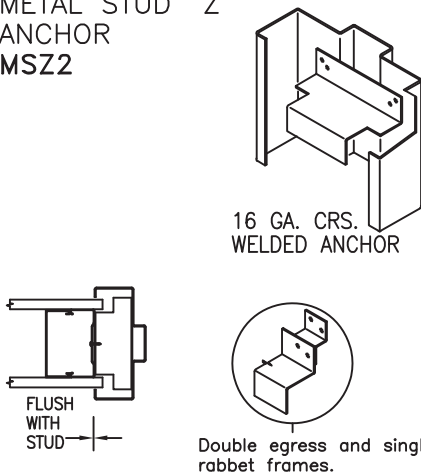


METAL STUD "Z" ANCHOR MSZ1



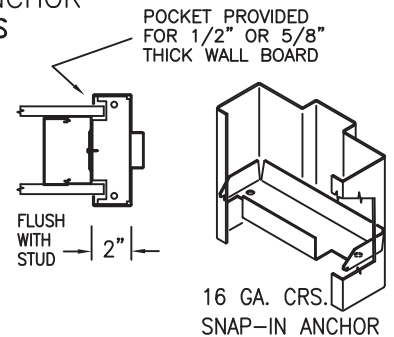
16 GA. CRS. WELDED ANCHOR

METAL STUD "Z" ANCHOR MSZ2



Double egress and single rabbet frames.

METAL STUD ANCHOR MS

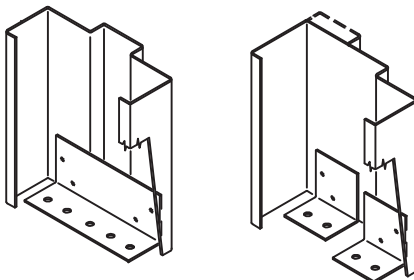


4-3/4 AND 5-3/4" DEPTH ONLY. FOR OTHER DEPTHS USE WS TYPE.

FLOOR ANCHOR SA

STANDARD DOUBLE RABBET ONE PIECE ANCHOR

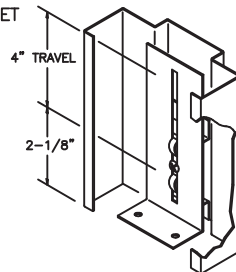
SINGLE RABBET OR DOUBLE RABBET DOUBLE EGRESS



16 GA. WELDED FLOOR ANCHOR

FLOOR ANCHOR ADJFL

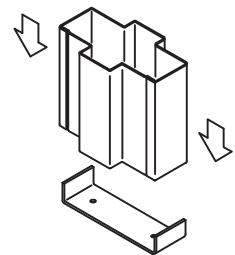
ANGLE:
 1-1/2" x 6-3/4" @
 2-3/4" LONG
 SCREW:
 #10 x 3/8" PHIL THSMS
 HAT:
 1-5/8" WIDE x 3/4"
 LEGS x 9/16" OFFSET
 @ 3-1/4" LONG



16 GA. WELDED ADJUSTABLE FLOOR ANCHOR

SLFA

IN-FIELD:
 FASTEN ANCHOR TO FLOOR.
 SLIP-FIT FRAME OVER ANCHOR



12 GA. GALV. SIDELITE FLOOR ANCHOR

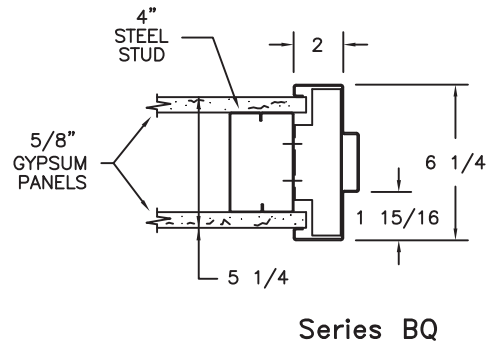
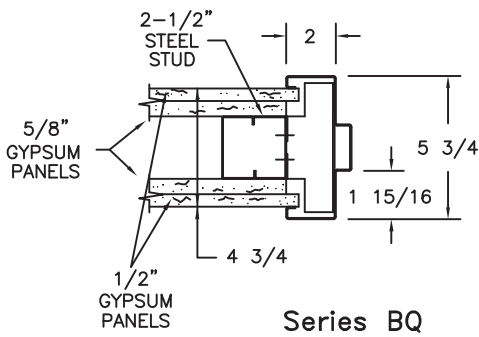
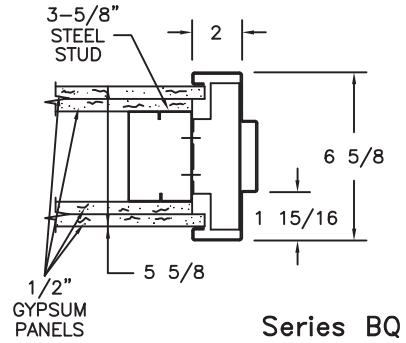
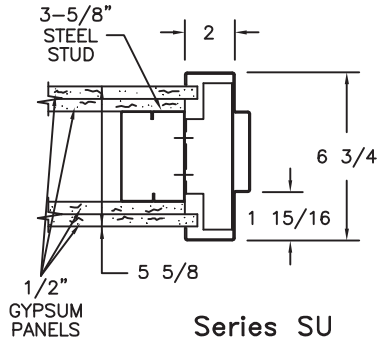
CecoDoor

ASSA ABLOY

05/04/13

A1-4

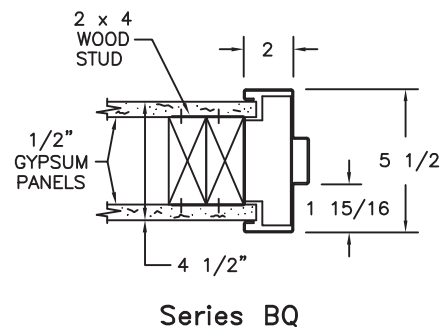
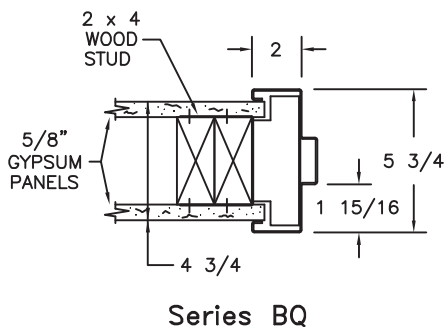
WELDED JAMB ANCHORS - METAL STUD WALL DETAILS Installed BEFORE the drywall



(Conversion: 1" = 25.4 mm, e.g., 1-3/4" = 44.45 mm)

See installation instructions for rough opening size ...

WELDED JAMB ANCHORS - WOOD STUD DETAILS Installed BEFORE the drywall



See installation instructions for rough opening size ...

(Conversion: 1" = 25.4 mm, e.g., 1-3/4" = 44.45 mm)

05/31/13

Three Knuckle Standard Weight Series

The full mortise bearing hinge is recommended for standard weight, medium frequency doors, or doors with closing devices.

- Use for the common flush door/frame/wall application
- Decorative tips are available
- For available finishes see page 28

TA314
TA714



No.	ANSI Cross Reference	Base Material	Weight
TA314	A5112	Stainless	STD
TA314	A2112	Brass	STD
TA714	A8112	Steel	STD

Specifications

Inches	mm	Gauge	No. of Holes	Fasteners	
				Machine	Wood
3 1/2" x 3 1/2"	88.9 x 88.9	.123	6	1/2 x 10-24	1 x 10
4" x 4"	101.6 x 101.6	.130	8	1/2 x 12-24	1 1/4 x 12
4 1/2" x 4"	114.3 x 101.6	.134	8	1/2 x 12-24	1 1/4 x 12
4 1/2" x 4 1/2"	114.3 x 114.3	.134	8	1/2 x 12-24	1 1/4 x 12
5" x 4 1/2"	127 x 114.3	.146	8	1/2 x 12-24	1 1/4 x 12
5" x 5"	127 x 127	.146	8	1/2 x 12-24	1 1/4 x 12

* Not available in Brass Base material

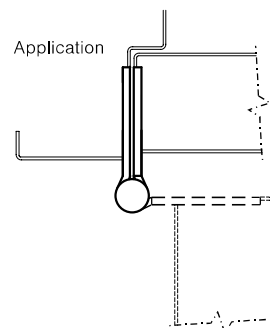
Decorative Tip Options

FT	Flat Tip
RT	Round Tip
GT	Grooved Tip
LT	Lined Tip
BT	Ball Tip
ST	Steeple Tip



Note: Not available on 3 1/2" x 3 1/2" hinges

Steel & Stainless Approved for NFPA 80 fire rated openings



Options:

Code	Description
NRP	Non-Removable Pin
RC	Round Corner – 1/4" radius furnished unless specified otherwise
HT	Hospital Tip
SSF	Safety Stud Feature
QC	ElectroLynx® Hinge – 4, 8 or 12 wire available
CC	Concealed Circuit – 4, 8 or 12 wire available
CC-18	Concealed Circuit – 2, 4, 6, 8 or 10 wire available (2-18AWG wires and the remainder 28AWG wires)
MM	Magnetic Monitoring

McKinney
ASSA ABLOY

Experience a safer
and more open world

800-346-7707 | www.mckinneyhinge.com
Check the web site for the up-to-date catalog

McKinney is a brand associated with Corbin Russwin, Inc., an ASSA ABLOY Group company. Copyright © 2012-2017, Corbin Russwin, Inc. All rights reserved. Reproduction in whole or in part without the express written permission of Corbin Russwin, Inc. is prohibited.

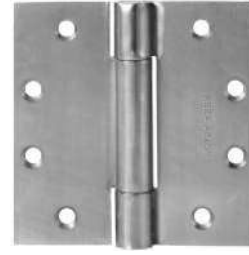
Three Knuckle Heavy Weight Series

Recommended for use on high frequency and/or heavy wood or metal doors in schools, hospitals or other public buildings where heavy traffic is experienced.

- Heavy weight hinges should be used on all extra heavy doors or those exposed to high frequency use
- Use for the common flush door/frame/wall application
- Beveled Edge - where doors are beveled on hinge side specify TA5386 or TA5786
- For available finishes see page 28
- Decorative flat tips are available on 4½" and 5"

TA386

TA786



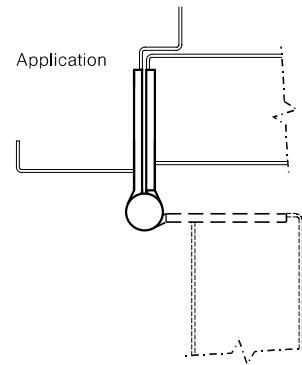
No.	ANSI Cross Reference	Base Material	Weight
TA386	A5111	Stainless	HVY
TA386	A2111	Brass	HVY
TA786	A8111	Steel	HVY

Specifications

Inches	mm	Gauge	No. of Holes	Fasteners	
				Machine	Wood
4½" x 4"	114.3 x 101.6	.180	8	½ x 12-24	1¼ x 12
4½" x 4½"	114.3 x 114.3	.180	8	½ x 12-24	1¼ x 12
5" x 4½"	127 x 114.3	.190	8	½ x 12-24	1¼ x 12
5" x 5"*	127 x 127	.190	8	½ x 12-24	1¼ x 12
6" x 5"*	152.4 x 127	.203	10	½ x ¼-20	1½ x 14
6" x 6"*	152.4 x 152.4	.203	10	½ x ¼-20	1½ x 14

* Not available in Brass Base material.

Steel & Stainless Approved for NFPA 80 fire rated openings



Options:

Code	Description
NRP	Non-Removable Pin
RC	Round Corner – ¼" radius furnished unless specified otherwise
HT	Hospital Tip
SSF	Safety Stud Feature
QC	ElectroLynx® Hinge – 4, 8 or 12 wire available
CC	Concealed Circuit – 4, 8 or 12 wire available
CC-18	Concealed Circuit – 2, 4, 6, 8 or 10 wire available (2-18AWG wires and the remainder 28AWG wires)
MM	Magnetic Monitoring
FT	Flat Decorative Tip
BT	Ball Tip

McKinney
ASSA ABLOY

Experience a safer
and more open world

800-346-7707 | www.mckinneyhinge.com

Check the web site for the up-to-date catalog

McKinney is a brand associated with Corbin Russwin, Inc., an ASSA ABLOY Group company. Copyright © 2012-2017, Corbin Russwin, Inc. All rights reserved. Reproduction in whole or in part without the express written permission of Corbin Russwin, Inc. is prohibited.

ElectroLynx® Hinge (QC option)

Each hinge features concealed plug connectors that eliminate the need for separate or exposed wiring. Standard connectors make installation quick and simple. Brass eyelets add protection and durability.

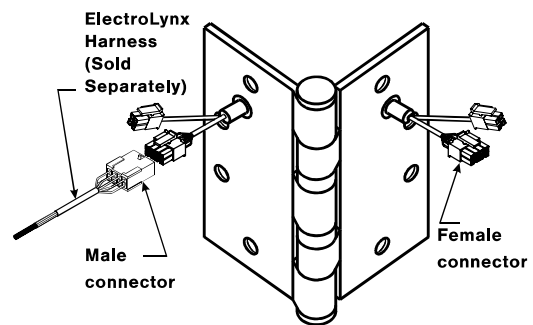
- The QC option is available on standard and heavy weight full mortise bearing hinges as well as swing clear and wide throw hinges
- Electric hinges allow a constant flow of current from the power source through the hinge to electrified door hardware. No external wires can be seen, eliminating tampering and improving the aesthetics of the door opening
- Materials: brass, stainless steel, and steel
- For 4 amp continuous @ 24 volts AC or DC per circuit, 28 gauge multi-strand wires are used.
- An 8 position connector is used for QC4 and QC8 wire hinges. An 8 position and a 4 position connector is used for QC12 wire hinges.
- Hand of hinge must be specified on two knuckle hinges
- Can be used in conjunction with MM option on most full mortise hinges. QC12 x MM not recommended for wood or solid core doors
- Full Mortise QC hinges are available in most BHMA and McKinney powder coat finishes
- Wires are coordinated to work with other ASSA ABLOY Group brands electro-mechanical hardware

*Electric hinges should be installed in the center position on the door. Installation instructions are packed with each hinge.

*Hinges are factory tested and specially packaged to minimize against damage during shipment.



Application



Back of 12 wire hinge shown

3-Knuckle	5-Knuckle
TA314	TA2314
TA714	TA2714
TA386	T4A3386
TA786	T4A3786
	TA2895
	T4A3395
	T4A3795



Most hinges including this Swing Clear Hinge can be electrically modified. Call 1-800-346-7707 for more information.

Options:

Code	Description
QC4	2 circuits
QC8	4 circuits
QC12	6 circuits

Steel & Stainless - Approved for NFPA 80 fire rated openings

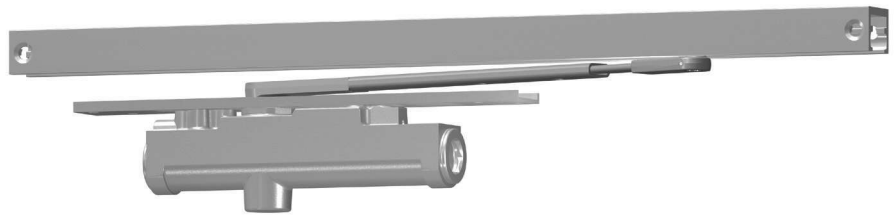


Experience a safer and more open world

800-346-7707 | www.mckinneyhinge.com
Check the web site for the up-to-date catalog

McKinney is a brand associated with Corbin Russwin, Inc., an ASSA ABLOY Group company. Copyright © 2012-2017, Corbin Russwin, Inc. All rights reserved. Reproduction in whole or in part without the express written permission of Corbin Russwin, Inc. is prohibited.

3130 Series



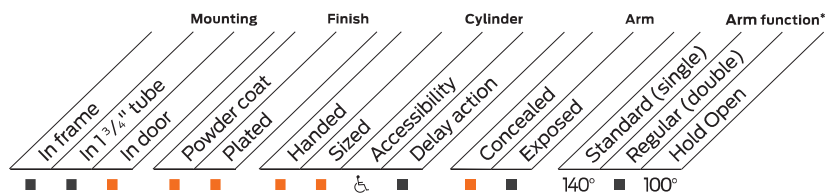
The concealed 3130 Series is designed to mount in a 1 3/4" interior door. The single lever arm and roller assembly provides complete concealment and the choice of finishes and track functions meet virtually all architectural requirements.

Features

Certifications	Grade 1 - ANSI A156.4, UL 10C, ADA, 100 hour salt spray, meets BAA - Buy American Act	Mounting	Concealed (in door); consult factory for installation with pivots
Body construction	<ul style="list-style-type: none"> Cast iron body Full complement bearing 1 1/8" diameter piston 	Arms	Standard arm and track
Fluid	All weather fluid	Finishes/colors/powder coat	<ul style="list-style-type: none"> 689 Aluminum 690 Statuary bronze 691 Light bronze 693 Black 695 Dark bronze 696 Brass Custom colors optional
Handing	Handed		<ul style="list-style-type: none"> Optional SRI primer - powder coat only Optional plated finishes
Size	Sized 1-3		
Warranty	15 years		
Fasteners	Wood Screws and Torx Security Screws (optional)		

Special templates

Customized installation templates or products may be available to solve non-standard applications. Contact LCN Product Support for assistance.



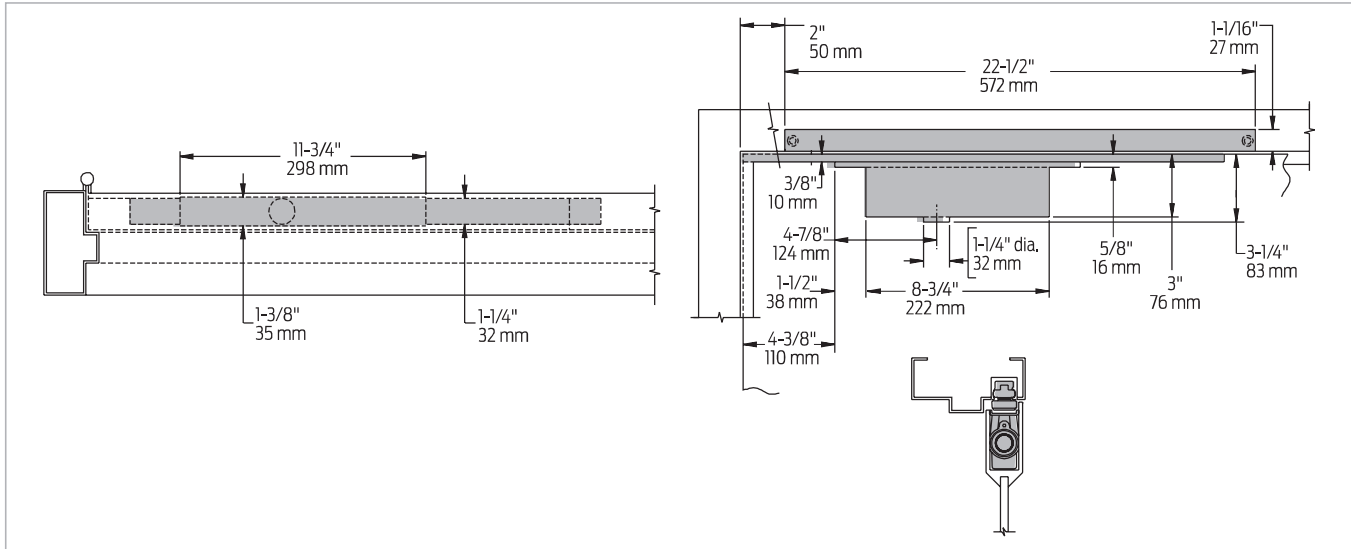
■ Available
■ Not available

♿ Closer available with less than 5.0 lbs. opening force on 36" door.

* Maximum opening/hold open point with standard template. See individual closer series for degrees of opening per installation.

Mounting details

Concealed mounting



Butt hinges	Should not exceed 5" (127 mm) in width
Auxiliary stop	<ul style="list-style-type: none"> Recommended at hold open point or where a door cannot swing 140° Optional track bumper assembly assists back check in cushioning the opening swing of the door (it is not intended to replace an auxiliary stop)
Top rail	Minimum 4" (102 mm) required
Door thickness	<ul style="list-style-type: none"> 1 3/4" (44 mm) minimum. Please consult the door manufacturer to assure that the door integrity and warranty is maintained after installing the 3130 Series door closer in a 1 3/4" thick wood door
Door width	2' 2" (660 mm) minimum
Maximum opening	<ul style="list-style-type: none"> Templating allows 140°, trim permitting, 100° with optional bumper installed Adjustable hold open points from 85° to 100°, with Hold Open Track (H)

Notes:

- For interior doors
- Single acting cylinder and standard arm in top rail of door
- Concealed track in head frame
- Consult factory for installations with pivots

Accessories

Cylinders



- 3131(2)(3)-3071**
Cast iron cylinder assembly with mounting plate (CYL)
- Handed
 - With mounting plate
 - Standard

Arms



- 3130-3077T**
Standard Arm (STDTRKARM)
- Handed
 - Track roller not included with arm
 - Standard

Tracks



- 3130-3038**
Standard Track (STDTRK)
- Non-handed
 - Non hold open
 - Will accept hold open clip and/or bumper assembly
 - Standard



- 3130-3038B**
Track with Bumper (BUMP)
- Non-handed
 - Non hold open
 - Will accept hold open clip
 - Optional

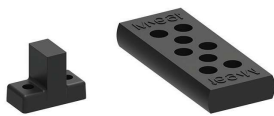


- 3130-3038H**
Hold Open Track (H)
- Non-handed
 - Will accept bumper assembly
 - Optional

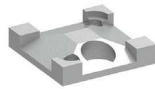


- 3130-3038HB**
Hold Open Track with Bumper (HBMP)
- Non-handed
 - Optional

Installation accessories



- 3130-169**
Track Bumper
- Mounts in track to assist back check, does not replace auxiliary stop
 - Limits maximum opening
 - Consists of bumper, bumper post and mounting screw



- 3130-3054**
Hold Open Clip
- Mounts in track to provide hold open function
 - Hold open point controlled by clip location
 - Requires 3130-3034H Hold Open Track Roller



- 3130-3034**
Track Roller
- Quiet, low friction roller assembly
 - Shoulder dimension "X" = 1/8" (3 mm)



- 3130-3034H**
Hold Open Track Roller
- Quiet, low friction roller assembly
 - Shoulder dimension "X" = 1/8" (3 mm)

Ordering information

How-to-order 3130 Series closers

1. Select cylinder size

- 3131
- 3132
- 3133

2. Specify hand

- Right Hand (RH)
- Left Hand (LH)

3. Select finish

- Standard powder coat _____
Aluminum (689), Dark Bronze (695), Statuary Bronze (690), Light Bronze (691), Black (693), or Brass (696)

Closer will be shipped with:

- Standard cylinder
- Standard cover
- Standard arm
- Track roller
- Standard track
- Self-reaming and tapping screws (unless options listed below are selected)

Closer options

Track

- Track with Bumper (BUMP)
- Hold Open Track (H)
- Hold Open Track with Bumper (HBMP)

Finish

- Custom powder coat (RAL) _____
- Plated finish _____
- SRI primer (use with powder coat finishes only)

Screw pack

- Torx Machine Screws (TORX)

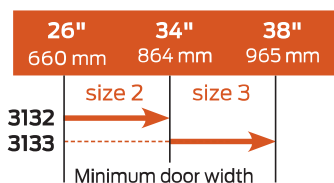
Special template

- ST- _____

Table of sizes

- Select closer based on width of door
- 3130 Series cylinders available in size 1, 2, or 3
- Closing power of 3130 Series closers is not adjustable

Interior door width



→ Indicates recommended range of door width for closer size.

Reduced opening force 3130 Series closers

CAUTION! Any manual door closer, including those certified by BHMA to conform to ANSI Standard A156.4, that is selected, installed and adjusted based on ADA or other reduced opening force requirements may not provide sufficient power to reliably close and latch a door.

Refer to Automatic Operators catalog for information on systems that meet reduced opening force requirements without effecting closing power.

Door width	36"	42"	48"
8.5* lbs.	N/A	N/A	N/A
5.0* lbs.	3131	3131	3132

* Maximum opening force.

4010 Series



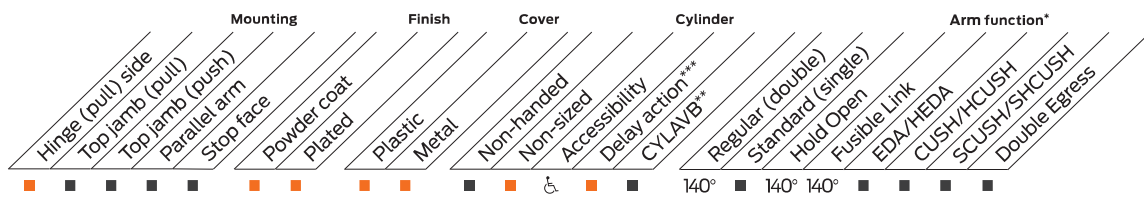
The 4010 is LCN's best performing heavy duty closer designed specifically for institutional and other rugged high traffic applications.

Features

Certifications	Grade 1 - ANSI A156.4, UL 10C, ADA, 100 hour salt spray, meets BAA - Buy American Act	Cover	<ul style="list-style-type: none"> Plastic Cover (PC), standard Metal Cover (MC), optional
Body construction	<ul style="list-style-type: none"> Cast iron body Full complement bearing 1 1/2" diameter piston 1/16" diameter double heat treated pinion journal 	Fasteners	Self Reaming and Tapping Screws (SRT)
Fluid	All weather fluid	Mounting	Hinge (Pull side)
Handing	Handed	Arms	Regular arm
Templating	Peel-n-Stick templates - 2 1/2" x 6" mounting hole pattern	Finishes/colors/ powder coat	<ul style="list-style-type: none"> 689 Aluminum 690 Statuary bronze 691 Light bronze 693 Black 695 Dark bronze 696 Brass Custom colors optional Optional SRI primer - powder coat only Optional plated finishes
Size	Adjustable 1-5 or sized 6		
Warranty	30 years		

Special templates

Customized installation templates or products may be available to solve non-standard applications. Contact LCN Product Support for assistance.

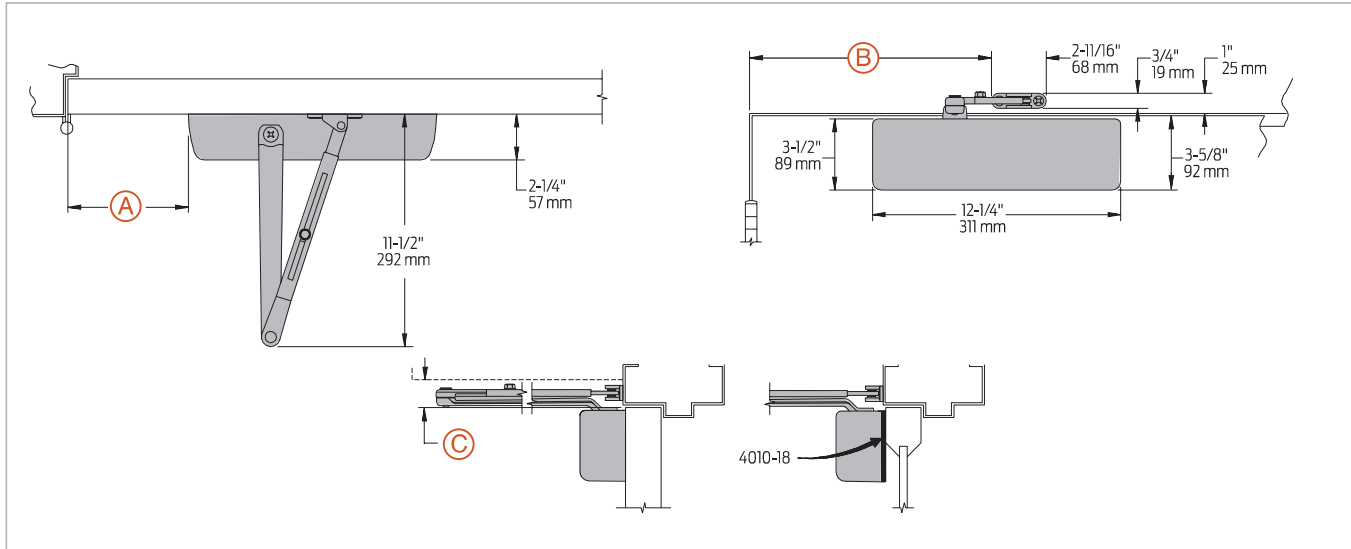


■ Available
■ Not available

♿ Closer available with less than 5.0 lbs. opening force on 36" door.
 * Maximum opening/hold open point with standard template.
 ** Advanced Variable Back Check.
 *** Delay action for 4040XP incorporates standard 4041 cylinder.

Mounting details

Hinge (pull) side mounting



Butt hinges	Should not exceed 5" (127 mm) in width
Auxiliary stop	Recommended at hold open point or where a door cannot swing 140°
Reveal	Should not exceed 3/4" (19 mm). Should not exceed 1/8" (3 mm) for Fusible Link Arm
Top rail	<ul style="list-style-type: none"> Less than 3 3/4" (95 mm) requires plate, 4010-18 Plate requires 2" (51 mm) minimum Clearance of 2 1/4" (57 mm) behind door required for 90° installation
Delay action	<ul style="list-style-type: none"> Add suffix "CYLDEL" to selected cylinder Not available with 4016 cylinder Delays closing from maximum opening to approximately 70° Delay time adjustable up to approximately 1 minute
Maximum opening	Can be templated for: 100°: A = 5 15/16" (151 mm) 140°: A = 4 3/16" (106 mm) B = 11 15/16" (303 mm) B = 10 3/16" (259 mm)
	Hold open points up to maximum opening with Hold Open Arm
Arm clearance	Regular Arm: C = 1 1/16" (27 mm) Hold Open Arm: C = 1 3/8" (35 mm) Fusible Link Arm requires: C = 1 5/8" (41 mm)

Note: Hold open points up to maximum opening with Hold Open Arm.

4010/4010T Series

Accessories

Cylinders


**4011(6)-3071
Cast iron cylinder
assembly (CYL)**

- Handed
- Standard

Covers


**4010-72
Plastic Cover (PC)**

- Non-handed



Right hand shown

**4010-72MC
Metal Cover (MC)**

- Handed
- Required for plated finishes and custom powder coat finishes
- Optional

Arms


**4010-3077
Regular Arm (REGARM)**

- Non-handed


**4010-3049
Hold Open Arm (H)**

- Handed
- Provides hold open function, adjustable at elbow
- Optional


**4010-3049FL
Fusible Link Arm (FL)**

- Handed
- Releases hold-open function when exposed to temperatures above 165° F; 1/8" (3 mm) maximum reveal
- Optional

Note: Check local codes before specifying FL arms.
NOT A life safety product!

Installation accessories


**4010-18
Plate**

- Required where top rail is less than 3 3/4" (95 mm)
- Requires minimum 2" (51 mm) top rail

Ordering information

How-to-order 4010 Series closers

1. Select cylinder size

- 4011 (adjustable from size 1 to 5)
- 4016 (CYLDEL not available)

2. Specify hand

- Right Hand (RH)
- Left Hand (LH)

3. Select finish

- Standard powder coat _____
Aluminum (689), Dark Bronze (695), Statuary Bronze (690), Light Bronze (691), Black (693), or Brass (696)

Closer will be shipped with:

- Standard cylinder
- Standard cover
- Regular arm
- Self reaming and tapping screws (unless options listed below are selected)

Closer options

Cylinder

- Delay Action Cylinder (CYLDEL)

Cover

- Metal Cover (MC)

Arm

- Hold Open Arm (H)
- Fusible Link Arm, 165°F (FL)

Finish

- Custom powder coat (RAL) _____ (handed metal cover required)
- Plated finish _____ (handed metal cover required)
- SRI primer (use with powder coat finishes only)

Screw pack

- Through Bolt¹ and Self Reaming and Tapping Screws (TBSRT)
- Wood and Machine Screws (WMS)
- Through Bolt¹ Wood and Machine Screw (TBWMS)
- Torx Machine Screws (TORX)
- Wood and Machine Screws (WMS)
- Through Bolt¹ and Torx Machine Screws (TBTRX)

Installation accessories

- Plate, 4010-18

Special template

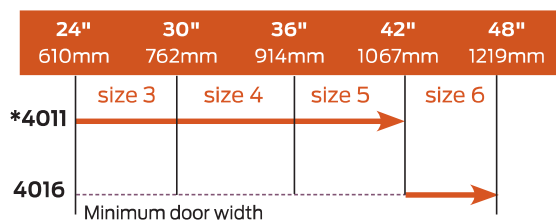
- ST- _____

¹ Specify door thickness if other than 1 3/4".

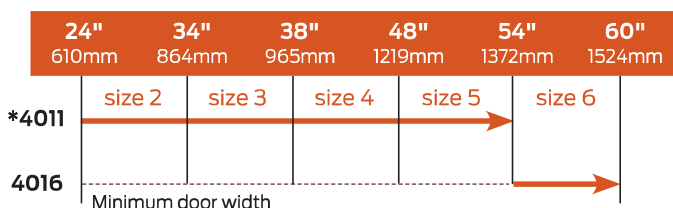
Table of sizes

- Select closer based on width of door
- The spring power of non-sized 4011 cylinder is adjustable from size 1 through size 5 and is shipped set to size 3
- Sized 4010 Series cylinders available in size 6
- Delay action not available with 4016 cylinder

Exterior (and vestibule) door width



Interior door width




➔ Indicates recommended range of door width for closer size.
* Adjustable Size 1 thru 5.

Reduced opening force 4010 Series closers

CAUTION! Any manual door closer, including those certified by BHMA to conform to ANSI Standard A156.4, that is selected, installed and adjusted based on ADA or other reduced opening force requirements may not provide sufficient power to reliably close and latch a door.

Refer to Automatic Operators catalog for information on systems that meet reduced opening force requirements without effecting closing power.

	Door width	36"	42"	48"
	8.5* lbs.	4011	4011	4011
	5.0* lbs.	4011	4011	4011

* Maximum opening force.

A detailed look...

L mechanical

Spring-loaded fusible link
inside lock case provides fail secure mode in case of fire

Security blocking hub
prevents lock picking by removing levers

Two piece anti-friction tongue
reduces wear

Field reversible latch bolt
allows change without opening case

Floating mounting tabs
automatically adjust to fit a beveled door edge

Breakaway spindle
prevents unsecured failures and provides easy replacement

Anti-saw pin
prevents cut through; included on deadbolt functions

L wired electrified

All mechanical features +

Universal input voltage
Accepts 12V or 24V DC for inventory and installation flexibility

Modular RX design
Request to Exit (RX) can be added at a later time without opening the lock case

Standard Molex connector
for easy installation

Switch-selectable EL/EU
Change mode (electrically locked or unlocked) anytime via switch on lock case














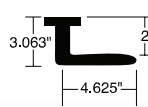

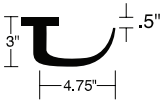

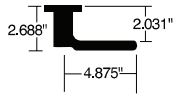

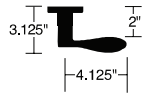

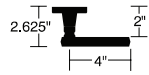

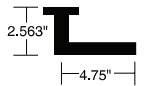
Efficient motor-driven design

- 0.4 amp max current draw allows more locks per power supply
- Low 0.01 amp holding current eliminates "hot levers"
- Quiet operation

Designs and finishes

The Standard Collection

The Standard Collection levers can be paired with exit devices and locks from our trusted Schlage and Von Duprin brands. And, they are built to the same exacting standards. Our Standard Collection levers offer a more traditional style that is appropriate for use in a number of commercial applications.

<p>01 ♿</p> 	 <p>2.688" 2.063" 3.875"</p>	<p>02 ♿</p> 	 <p>2.813" 1.813" 4.75"</p>	<p>03 ♿</p> 	 <p>2.813" .5" 4.75"</p>
<p>05 ♿</p> 	 <p>2.875" 2.281" 3.75"</p>	<p>06 ♿</p> 	 <p>2.5" .5" 4.625"</p>	<p>07 ♿</p> 	 <p>2.875" 1.969" 4.625"</p>
<p>12 ♿</p> 	 <p>3.063" 2" 4.625"</p>	<p>17 ♿</p> 	 <p>3" .5" 4.75"</p>	<p>18 ♿</p> 	 <p>2.688" 2.031" 4.875"</p>
<p>Accent ♿</p> 	 <p>3.125" 2" 4.125"</p>	<p>Asti ♿</p> 	 <p>2.625" 2" 4"</p>	<p>Latitude ♿</p> 	 <p>2.563" 2" 4.75"</p>

Note: Levers shown with Schlage L Series mortise "A" rose, Knobs shown with rose that is unavailable in the L Series. Additional rose and escutcheon designs available.

Trim and special accessories

Escutcheons and roses

Three escutcheons and five roses are available to help to match the design and performance needed for your application.

Escutcheons



L full face

Specify by adding 'L' after lever design.

Material: Cold-forged brass, bronze or stainless steel

Finishes: 605, 606, 609, 612, 613, 619, 622, 625, 626, 629, 630, 643e

Size: 8" x 1 3/4" x 7/16"
(203 mm x 44 mm x 11 mm)



L concealed

Specify by adding 'C' suffix to function and by adding 'L' after lever design.

Material: Cold-forged brass, bronze or stainless steel

Finishes: 605, 606, 609, 612, 613, 619, 622, 625, 626, 629, 630, 643e

Size: 8" x 1 3/4" x 7/16"
(203 mm x 44 mm x 11 mm)



N full face

Specify by adding 'N' after lever design.

Material: Heavy wrought reinforced brass, bronze or stainless steel

Finishes: 605, 606, 609, 612, 613, 619, 622, 625, 626, 629, 630, 643e

Size: 8" x 2 9/16" x 7/16"
(203 mm x 65 mm x 11 mm)

Roses



A rose

2 1/8" (54 mm) diameter
Available for use on L Series knob and lever designs. Specify by adding 'A' after lever design

Finishes: 605, 606, 609, 612, 613, 619, 622, 625, 626, 629, 630, 643e



B rose

2 9/16" (65 mm) diameter
Available for use on L Series knob and lever designs. Specify by adding 'B' after lever design.

Finishes: 605, 606, 609, 612, 613, 619, 622, 625, 626, 629, 630, 643e



C rose

2 5/8" (66 mm) diameter
Available for use on L Series knob and lever designs. Specify by adding 'C' after lever design.

Finishes: 605, 606, 609, 619, 622, 625, 626, 629, 630, 643e



AVA rose

2 5/8" (66 mm) diameter
Available for use on ACC lever, other levers upon request.

Finishes: 605, 606, 609, 619, 622, 625, 626, 643e



MER rose

2 5/8" (66 mm) diameter
Available for use on MER lever, other levers upon request.







Finishes: 605, 606, 609, 619, 622, 625, 626, 643e

Trim and special accessories

Thumbturns and indicators

Choose from these variations of thumbturn locks that help you meet the demands of specialized projects.

Thumbturns

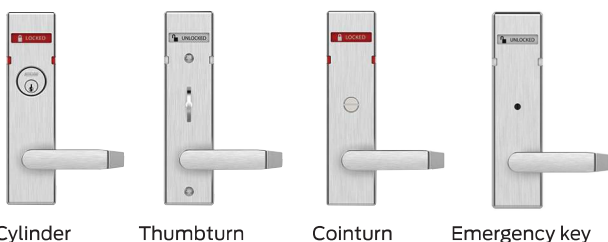
					
Standard turn 09-509	ADA turn 09-509 x L583-363 Available with all thumbturn-function L Series locks except L9463 and L463	Coin turn L283-124 For lock functions L9044 and L9444 with rose trim.	Emergency button K510-330 For lock functions L9040 and L9440	Ligature resistant turn 09-029	Cylinder turn 09-90x For L463 and L9463 classroom function deadlocks

Indicators

The 180 degree visibility indicator offers unparalleled visibility and flexibility. The unique features of the indicator make it ideally suited for classroom security applications as well as traditional occupied/vacant applications.

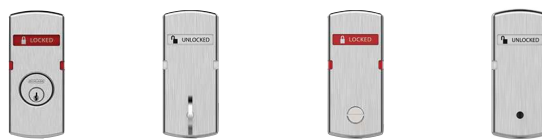
- 2" x 1/2" display for easy viewing at a distance
- 180° window for visibility at any angle
- High-mount placement for quick assessment
- High contrast colors for ease of reading
- Available for over 30 functions, inside or outside of door (see Functions section for availability)
- Retrofit kit allows indicator upgrades to already installed L Series mortise locks
- Indicator text available in English or French

N escutcheon indicators



Cylinder Thumbturn Cointurn Emergency key

Sectional indicators



Cylinder Thumbturn Cointurn Emergency key

LOCKED	OCCUPIED	DO NOT DISTURB	UNLOCKED
UNLOCKED	VACANT		UNLOCKED

Inside trim	L283-711	L283-712	L283-713	L283-714
Outside trim	L283-721	L283-722	L283-723	L283-724

Legacy indicator









Hotel occupancy indicator

09-611

For lock function L9486P, used with A or B roses on section trim. Three available messages: "OCCUPIED", "DO NOT DISTURB" or "LOCKED".

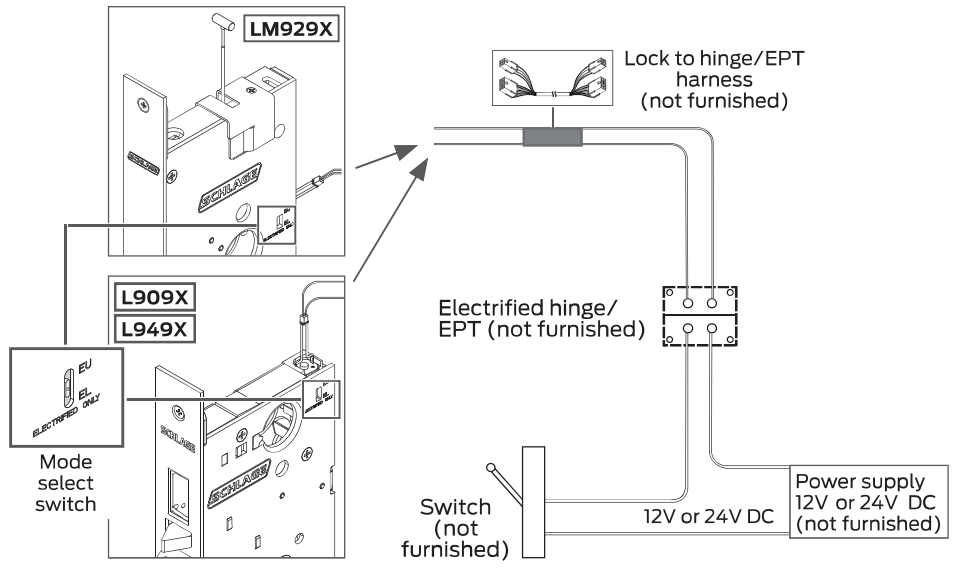
L Series mechanical lock functions

Non-keyed functions

Schlage	ANSI	Schlage	ANSI	Schlage	ANSI	Schlage	ANSI
L9010	F01	L9025	F31	L9040 LV9040	F22	L9044 LV9044	—
<p>Passage latch</p> <ul style="list-style-type: none"> ▪ Latchbolt retracted by lever/knob from either side at all times ▪ Inside lever always free for immediate egress 		<p>Exit lock</p> <ul style="list-style-type: none"> ▪ No outside trim ▪ Inside lever always free for immediate egress 		<p>Bath/bedroom privacy lock</p> <ul style="list-style-type: none"> ▪ Latchbolt retracted by lever/knob from either side unless outside lever is locked by inside thumbturn ▪ Actuating inside lever or closing door unlocks outside lever ▪ To unlock from outside remove emergency button, insert emergency thumbturn in access hole and rotate ▪ Inside lever always free for immediate egress 		<p>Privacy with coin turn outside</p> <ul style="list-style-type: none"> ▪ Latchbolt retracted by lever/knob from either side unless outside lever is locked by inside thumbturn or outside coin turn ▪ Actuating inside lever, closing door, or rotating outside coin turn unlocks outside lever 	
							
L9440 LV9440	F19	L9444 LV9444	—				
<p>Privacy with deadbolt</p> <ul style="list-style-type: none"> ▪ Latchbolt retracted by lever/knob from either side ▪ Deadbolt actuated by inside thumbturn ▪ Throwing deadbolt locks outside knob/lever ▪ Inside lever retracts both deadbolt and latchbolt and unlocks outside lever ▪ To unlock from outside remove emergency button, insert emergency thumbturn in access hole and rotate ▪ Inside lever always free for immediate egress 		<p>Privacy with deadbolt and coin turn outside</p> <ul style="list-style-type: none"> ▪ Latchbolt retracted by lever/knob from either side ▪ Deadbolt actuated by inside thumbturn or outside coin turn ▪ Throwing deadbolt locks outside knob/lever ▪ Inside lever retracts both deadbolt and latchbolt and unlocks outside lever ▪ Rotating coin turn retracts deadbolt and unlocks outside lever ▪ Inside lever always free for immediate egress 					
							

L Series wired electrified lock
Wiring, electrical requirements and options

Wiring diagrams



Electrical requirements

The L Series electrified locks are powered by DC power only. Do not use AC power. In addition to Allegion Connect connector, an extended-length molex-to-traditional terminal wiring harness is shipped with every lock.

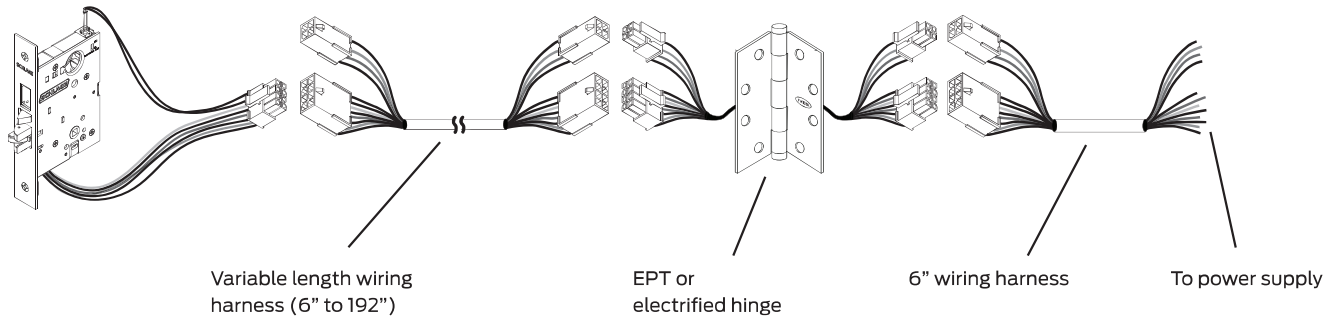
- Voltage: 12V or 24V DC (maximum 26.4 V, minimum 10.8 V)
- Peak current: 0.4 amps
- Holding current: 0.01 amps
- Operating temperature: -22°F to 140°F (-30°C to 60°C)

Available options

- Request to Exit (RX)
- Latchbolt Monitor (LX)
- Door Position Sensor (DPS) - non-deadbolt functions only
- Deadbolt Monitor (DM) - deadbolt functions only







Allegion Connect

This factory-installed Molex connector system utilizes quick-connect harnesses and hinges for a quick and easy way to connect power sources; all the way from your power supply to electrified door hardware. Alternately, the connector can be cut off and the lock installed with traditional wire splicing methods. Note that the Allegion Connect harnesses and hinges are sold separately.



L Series wired electrified lock functions

All locks feature automatic detection and operation with 12V or 24V DC and a case-mounted switch that allows customer selection of EL (fail safe - power failure allows either knob/lever to retract latchbolt and/or deadbolt) or EU (fail secure - power failure locks both knobs/levers) operation. Please specify lock function as EL or EU for default switch position.

Schlage	ANSI	Schlage	ANSI	Schlage	ANSI
L9090EL L9090EU Electrically locking/unlocking outside lever, no cylinder <ul style="list-style-type: none"> • Outside lever continuously locked (EL) or unlocked (EU) by 12V or 24V DC • Auxiliary latch deadlocks latchbolt when door is closed • Inside lever always free for immediate egress 	F13	L9091EL L9091EU Electrically locking/unlocking both levers, no cylinder* <ul style="list-style-type: none"> • Both levers continuously locked (EL) or unlocked (EU) by 12V or 24V DC • Auxiliary latch deadlocks latchbolt when door is closed 	—	L9092EL L9092EU Electrically locking/unlocking outside lever, outside cylinder <ul style="list-style-type: none"> • Outside lever continuously locked (EL) or unlocked (EU) by 12V or 24V DC • Latchbolt retracted by lever/knob inside or key outside • Auxiliary latch deadlocks latchbolt when door is closed • Inside lever always free for immediate egress • EL: Switch or power failure allows outside lever to retract latchbolt • EU: Switch or power failure locks (EU) outside lever 	—
Electrified		Electrified		Electrified	
Schlage L9093EL L9093EU Electrically locking/unlocking both levers, outside cylinder* <ul style="list-style-type: none"> • Both levers continuously locked (EL) or unlocked (EU) by 12V or 24V DC • Latchbolt retracted by key outside • Auxiliary latch deadlocks latchbolt when door is locked 	—	Schlage L9094EL L9094EU Electrically locking/unlocking outside lever, inside and outside cylinder <ul style="list-style-type: none"> • Outside lever continuously locked (EL) or unlocked (EU) by 12V or 24V DC • Latchbolt retracted by either key or by inside lever • Auxiliary latch deadlocks latchbolt when door is locked • Inside lever always free for immediate egress 	—	Schlage L9095EL L9095EU Electrically locked or electrically unlocked both sides* <ul style="list-style-type: none"> • Both knobs/levers continuously locked (EL) or unlocked (EU) by 12V or 24V DC • Latchbolt retracted by either key • Auxiliary latch deadlocks latchbolt when door is closed • EL: Switch or power failure unlocks both knobs/levers and allows knob/lever to retract latchbolt • EU: Switch or power failure locks both knobs/levers 	—
Electrified		Electrified		Electrified	



Automatic Flush Bolts No. 2840 (Automatic Top Bolt Only) No. 2842 (Set) (replaces the No. 1840 and No. 1842)

Material: Brass, stainless steel

Finishes: US3, US4, US10, US10BE, US26, US26D, US32D

Fastener: No. 2842: 20 ea. #8 x 3/4" FH combo screws, 2 ea. #6-8 plastic anchors
No. 2840: 10 ea. #8 x 3/4" FH combo screws. NOTE: No plastic anchor required for top only

Features:

- For Fire Rated Metal Doors labeled A, B, C, D & E up to 4'w x 8'h
- Non-handed
- Fully automatic— opening active door retracts top and bottom bolts
- Override feature prevents damage to doors or bolts if bolt heads are blocked from entering strikes
- Bolt head rods are adjustable up to 1 1/2"
- Thermal lock automatically locks the inactive door under high heat conditions due to fire

Options: No. 2842 can be used with the No. 570 Dust Proof Strike (shown on page E4).

No.	Size	Weight	ANSI A156.3
2840	1" x 6 3/4"	1.2 lbs.	Type 25
2842	1" x 6 3/4"	2.4 lbs.	Type 25



Combination Flush Bolts No. 2805 (Self Latching Top Bolt Only) No. 2845 (Set) (replaces No. 1805 and No. 1845)

Material: Brass, stainless steel

Finishes: US3, US4, US10, US10BE, US26, US26D, US32D

Fastener: Top: 8 ea. #8 x 3/4" FH combo screws. NOTE: No plastic anchor required for top only.
Bottom (No. 2845 only) 18 ea. #8 x 3/4" FH combo screws, 2 ea. #6-8 plastic anchors.

Features:

- For Fire Rated Metal Doors labeled A, B, C, D & E up to 4'w x 8'h

Top Bolt

- Automatically engages when the inactive door closes. When the active door is opened, the inactive door stays latched at the top until the top bolt is released by pressing the plunger button on the bolt face

Bottom Bolt (No. 2845 only)

- Non-handed
- Fully automatic — opening active door retracts bottom bolt
- Override feature prevents damage to door or bolt if bolt head is blocked from entering strike
- Bolt head rod is adjustable up to 1 1/2"
- Thermal lock automatically locks the inactive door under high heat conditions due to fire

Options: No. 2845 can be used with the No. 570 Dust Proof Strike (shown on page E4)

No.	Size	Weight	ANSI A156.3
2805	1" x 6 3/4"	1.2 lbs.	Type 27
2845	1" x 6 3/4"	2.4 lbs.	Type 27

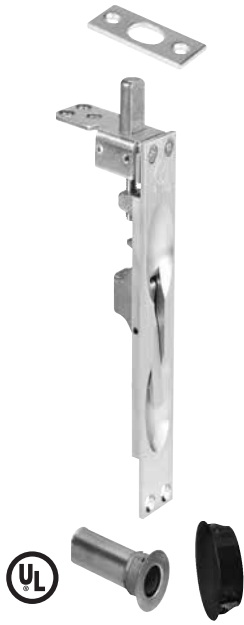
ASSA ABLOY

The global leader in
door opening solutions

800-458-2424 | www.assaabloydooraccessories.us

Check the web site for the up-to-date catalog

Copyright © 2012-2018, ASSA ABLOY Accessories and Door Controls Group, Inc. All rights reserved. Reproduction in whole or in part without the express written permission of ASSA ABLOY Accessories and Door Controls Group, Inc. is prohibited.



Lever Extension Flush Bolt With Bottom Fire Bolt No. 557 x 19BFB

Material: Flush bolt – brass

Bottom fire bolt – stainless steel

Finishes: Available in standard architectural finishes (see page 9)

Fastener: 7 ea. #8 x $\frac{3}{4}$ " FH combo screws
4 ea. #8 - 32 x $\frac{1}{2}$ " FH MS
4 ea. #8 counter sunk washer

Features:

- For Fire Rated Plastic & Wood Covered Fire Doors measuring up to 4'w x 9'h rated up to 20 minutes
- $\frac{3}{4}$ " bolt throw, $\frac{3}{4}$ " backset; door strength maintained by corner reinforcing plate
- When door is subjected to 230°F the plug and black plastic cover will melt allowing the bolt to project, locking the leaves together
- Bottom fire bolt eliminates need for floor prep
- Oversize fire bolt strike hole allows for slight door misalignment

No.	Size	Weight
557 x 19BFB	Top bolt: 1" x $6\frac{3}{4}$ " Bottom bolt: $\frac{13}{16}$ " dia.	0.9 lbs.



Dust Proof Strike No. 570

Material: Brass

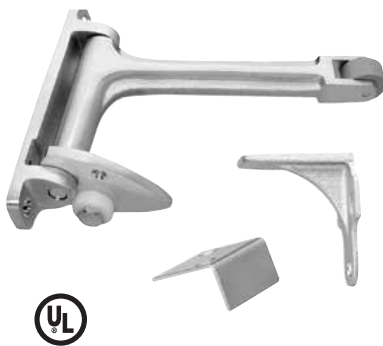
Finishes: Available in standard architectural finishes (see page 9)

Fastener: Adjustment nut
Spanner wrench
2 ea. #8 x 1 OH SMS, 2 ea. plastic anchors
2 ea. #8 - 32 x $\frac{3}{4}$ " OH MS, 2 ea. anchors

Features:

- Works with all Rockwood manual and automatic flush bolts
- Removable face plate for use with thresholds
- Adjustable height for carpeted areas

No.	Size	Weight	ANSI A156.16
570	Face plate: $1\frac{3}{8}$ " x $2\frac{7}{8}$ " Barrel: $\frac{7}{8}$ " dia. x 2" depth	0.4 lbs.	L04021



Gravity Door Coordinator No. 576

Material: Cast brass

Finishes: Available in standard architectural finishes (see page 9).

Fastener: Body: 2 ea. #10 x 1" FH SMS, 2 ea. #10 - 24 x 1" FH MS
Strike: 5 ea. #8 x 1" FH SMS

Other:

- For use on door sizes:
 - with Astragal on active door – 18" to 48"
 - with Astragal on inactive door – 18" to 34"
 - with Astragal on both doors – 18" to 30"
- The overlap of the astragal is maximum $\frac{7}{8}$ " with door hung on standard hinges. Customer must contact the factory for all other astragal situations

Features: Non-handed reversible. Prevents the active door from closing until the inactive door is closed

No.	Size	Projection	Weight	ANSI A156.3
576	1" x $5\frac{7}{16}$ "	7"	2.2 lbs.	Type 21

ASSA ABLOY

The global leader in
door opening solutions

800-458-2424 | www.assaabloydooraccessories.us

Check the web site for the up-to-date catalog

Copyright © 2012-2018, ASSA ABLOY Accessories and Door Controls Group, Inc. All rights reserved. Reproduction in whole or in part without the express written permission of ASSA ABLOY Accessories and Door Controls Group, Inc. is prohibited.

FS436 / FS438

Dome stop

- FS436 for doors without threshold
- FS438 for doors with threshold or undercut doors
- Heavy-duty cast dome stops
- Packed with fasteners for light duty masonry and wood applications
- Grey rubber bumper

Specifications

Material substrate	Made from cast brass or aluminum
Certifications	<ul style="list-style-type: none"> ▪ FS436 Meets ANSI/BHMA A156.16, L12141 for brass and L32141 for aluminum ▪ FS438 Meets ANSI/BHMA A156.16, L12161 for brass and L32161 for aluminum

Dimensions - FS436

Overall height	Base height	Base diameter
1"	$\frac{3}{16}$ "	1 $\frac{3}{4}$ "x 2" oval

Dimensions - FS438

Overall height	Base height	Base diameter
1 $\frac{3}{8}$ "	$\frac{9}{16}$ "	1 $\frac{3}{4}$ "x 2" oval

Finishes - brass

BHMA	Description	Substrate	Finish
605	Bright Brass	Brass	US3
606	Satin Brass	Brass	US4
609	Blackened Brass	Brass	US5
612	Satin Bronze	Brass	US10
613	Oil Rubbed Bronze	Brass	US10B
619	Satin Nickel	Brass	US15
622	Matte Black	Brass	BLK
625	Bright Chrome	Brass	US26
626	Satin Chrome	Brass	US26D
-	Aged Bronze	Brass	643e/716

Finishes - aluminum

BHMA	Description	Substrate	Finish
628	Satin Aluminum	Aluminum	US28

For other colors, consult factory.



FS436



FS438

R435 / 438

Dome stop riser

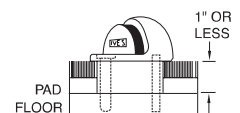
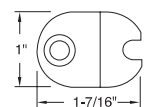
- R435 for conversion of FS436 Dome stop to carpet installation
- R437 For conversion of FS438 Dome stop to carpet installation
- Packed with fasteners for heavy duty masonry and wood applications

Specifications

Material substrate	Made from aluminum, mill finish
--------------------	---------------------------------

Dimensions

Base diameter	Heights available
1"x 1 $\frac{7}{16}$ " oval	$\frac{1}{4}$ ", $\frac{3}{8}$ ", $\frac{1}{2}$ " $\frac{5}{8}$ ", $\frac{3}{4}$ " and 1" heights



Door stops, holders and silencers

Door silencers

SR64

Door silencer - metal

- For use on metal frames featuring pneumatic design that, once installed, forms an air pocket to absorb shock and reduce noise of door closing
- Tamper-proof once installed on the frame
- Proper installation also eliminates door rattle and provides constant tension for door latches or locks
- Packed in bags of 100
- Grey also available in bulk pack of 2500
- Each bag has an installation tool included



Specifications

Material substrate	Made from 60 Durometer styrene butadiene rubber
Certifications	Meets ANSI/BHMA 156.16, L03011

Dimensions

Diameter	Projection
1/2"	1/8"

SR65

Door silencer - wood

- For use on wood frames, also feature pneumatic design to cushion shock and absorb noise
- To prevent removal, a small brad should be driven into stop strip and through stem of silencer, as shown in the detail
- Packed in bags of 100



Specifications

Material substrate	Made from 60 Durometer styrene butadiene rubber
Certifications	Meets ANSI/BHMA 156.16, L03021

Dimensions

Diameter	Width	Projection
3/4"	3/8"	1/8"

SR66

Door silencer - adhesive

- Self adhesive rubber silencers
- Economical installation requires no drilling of frames
- Packed two sheets of 50 (100 minimum)



Specifications

Material substrate	Made from 60 Durometer styrene butadiene rubber
Certifications	Meets ANSI/BHMA 156.16, L03021

Dimensions

Diameter	Projection
1/2"	1/8"

SR64, SR65 and SR66 Finishes

BHMA	Description	Substrate	Finish
—*	Brown	Rubber	BRN
—	Grey	Rubber	GRY
—*	White	Rubber	WHT

*Only available on SR66. For other colors, consult factory.