

Industry Cross Reference Chart

SINGLE BITTED CAM LOCKS						
SIZE	ESP/HUDSON	NATIONAL	FORT	CHICAGO	CCL	ILCO
1 1/32"	ULR-344					
7/16"	ULR-437	C8501	MFW 23038			33803
5/8"	ULR-625	C8052	MFW 23058	1725	15751	35803
7/8"	ULR-875	C8054	MFW 23078	1701	15752	37803
1 1/8"	ULR-1125	C8053	MFW 23118	1702	15753	31103
1 3/8"	ULR-1375		MFW 23138	1704	15760	31303
1 7/16"	ULR-1437	C8055				
1 3/4"	ULR-1750					
POSTAL LOCKS / 5 CAM MULTI-PACK						
	PT812RN5CPA	C8730				
	PTR-656UN					
	PTR-DC656UN	C8735				
PIN TUMBLER PUSH BUTTON FILE CABINET LOCKS						
	PTR-1750P312		312 HON			
	PTR-1750S312	C8150	312 HON	5001LP		
	PTR-1750S500		Anderson Hickey			
	PTR-1750P500		Anderson Hickey			
	PTR-2000S344		344 HON	5002LP		
SINGLE BITTED WOOD DRAWER LOCKS						
3/4"	ULR-WL750	C8703	MFW 23006	1965		
7/8"	VWDL-C8703521	C8803	MFW 23007	1968	2060	980
1-1/8"	ULR-WL1125					
SINGLE BITTED METAL DRAWER LOCKS						
	ULR-T585MDL	C8701	MFW 23010	1974/5	2060	
SINGLE BITTED SHOWCASE/RATCHET LOCK WOOD/GLASS						
	15RL		SG 23000			247
SINGLE BITTED SLIDING DOOR POP-OUT LOCKS						
	ULR-1030FM / G2139	C8042	MFW SD 990	1770	2069	990



Pin Tumbler Postal Locks | Multi-Cam

Our postal locks have been approved by the Manufacturers of USPS Postal Equipment. ESP offers 4 different multi cam packages to ensure lock compatibility in the field. We offer standard lengths of .656 (ESP) & .812. The 656 can be ordered for outdoor (Dust Shuttered) or indoor (Non-Dust Shuttered) applications. Furnished with 5 cams, 2 clips and 2 slots, ESP accommodates varied door thicknesses.

ESP is the only US manufacturer that offers threaded cylinders mounted with a Hex Nut. This feature insures Higher Security and accommodates any door thickness. Need a postal lock? ESP offers every option you need in the field.

Keying

1000 keyed different codes guaranteed.

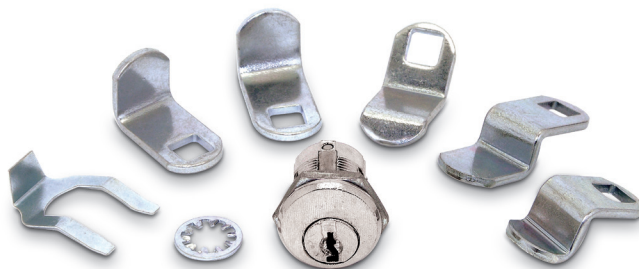
PTR-656UN

PACKAGE CONTENTS: 1 lock (Non Dust Shuttered) with 2 keys, 5 OHE replacement cams, 2 different gauge Mounting Clips.



PT812RN5CPA

HL1 (Hudson Lock Replacement), .812 Cylinder Length Threaded, 7/8" face diameter, 5 OEM replacement cams, 2 nickel plated keys, Hudson Keyway. Ideal for High Security applications with oversized door thickness. Mount with Hex Nut included.



PTR-DC656UN

PACKAGE CONTENTS: 1 lock (Dust Shuttered) with 2 keys, 5 OEM replacement cams, 2 different gauge Mounting Clips. Specified for outdoor applications.



OUTDOOR MAGNUM CAM LOCK



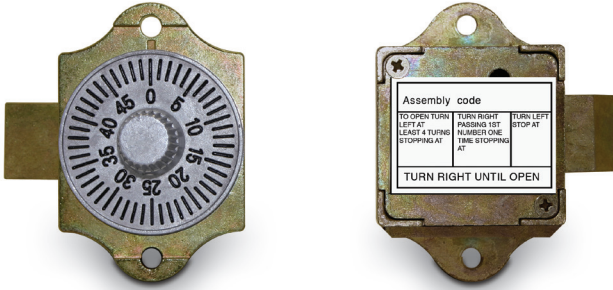
OUTDOOR MAGNUM CAM LOCK FEATURES

- 1.] Automotive 302 S.S. Dust Shutter
- 2.] 1000 Codes Available
- 3.] 6 Wafers Including Anti Pick In First Position
- 4.] Passes ASTM E331 Water Ingress Test
- 5.] Passes SAE J726 Resistance To Dust Ingress Test
- 6.] Passes 1000 Hours of Salt Spray Per ASTM B117
- 7.] Choose E,L,S or Y rotation from page 5

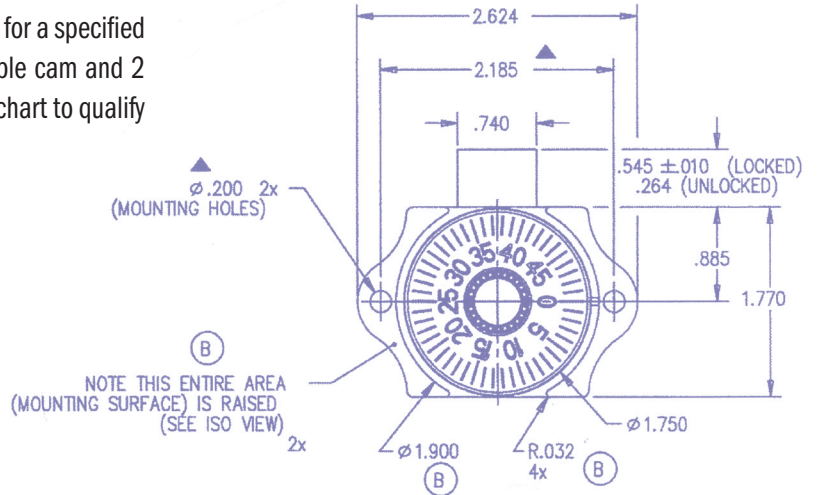


OEM Postal Replacement Mailbox Locks

ESP'S OEM postal replacement lock program offers specific locks for a specified box manufacturer. Each lock is equipped with 2 keys, a removable cam and 2 different grade mounting clips. See the enclosed cross reference chart to qualify your specific need. See Appendix below.



ESP/Hudson VRT-AF-Combo Lock



CAM NO.	REPLACES	PART NO.	NATIONAL LOCK EQUIVALENT	DIRECTION OF TURN TO OPEN	LOCKED CAM POSITION
XPS-02	Auth	PTR-656-02	C8713	90° CW	Left
XPS-03	Bommer	PTR-656-03	C8710	90° CCW	Left
XPS-04B	Cutler Federal	PTR-656-04B	C8725	90° CCW	Left
XPS-05	Florence	PTR-656-05A	C8715	90° CW	Up
XPS-20	Dura Steel 208B	PTR-656-20	C8720	90° CW	Down
XPS-21	Permabilt 201A	PTR-656-21	C8721	90° CCW	Left
XPS-22	Dura Steel 202C	PTR-656-22	C8722	90° CW	Down
XPS-23	Jensen General 205D	PTR-656-23	C8723	90° CCW	Left
XPS-24	Bommer Hook	PTR-656-24	C8724	90° CCW	Left
XPS-50	American Device	PTR-656-50	C8714	90° CCW	Left
XPS-56	Riopel, CMC	PTR-656-56	—	90° CW	Right
XPS-57	Riopel	PTR-656-57	—	90° CW	Right
XPS-58	Miami Carey	PTR-656-58	C8719	90° CCW	Up
—	CW Lock Only	PTR-656-RXXY	—	90° CW	—
—	CCW Lock Only	PTR-656-RXXZ	—	90° CCW	—

* Cams for these applications are standard in the PTR-656UN and PTR-656UN-HN

