

D C B A

4

4

3

3

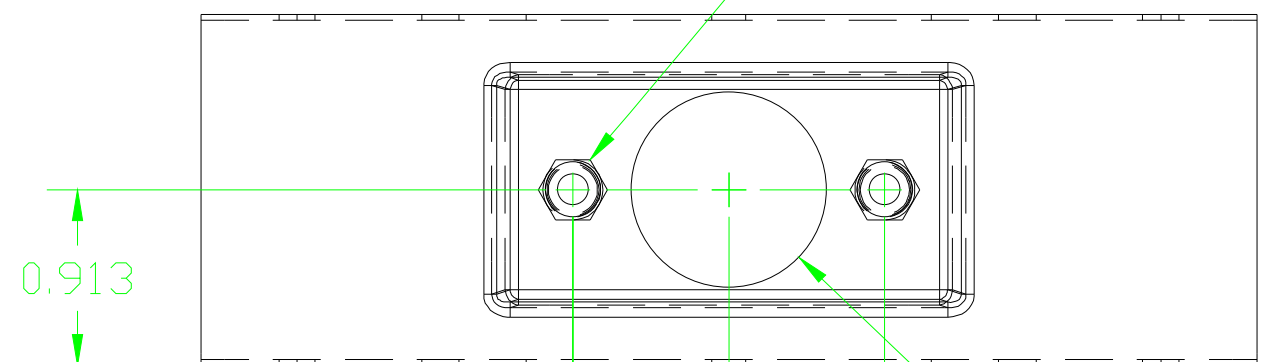
2

2

1

1

0.290 DIA THRU, EXTRUDE  
0.310 DIA X 0.020 HIGH FS  
INSTALL PEM F-832-2 NS  
(2X). SPECIAL ANVIL REQ'D  
FOR HARDWARE INSTALLATION



0.913

0.813

Ø1.020

1.938

1.625

5.500

2.810

R0.088

Ø2.145

R0.195

2.790  
BACKSET  
+MT+0.010 CL

2.310

Ø0.188 (4X)

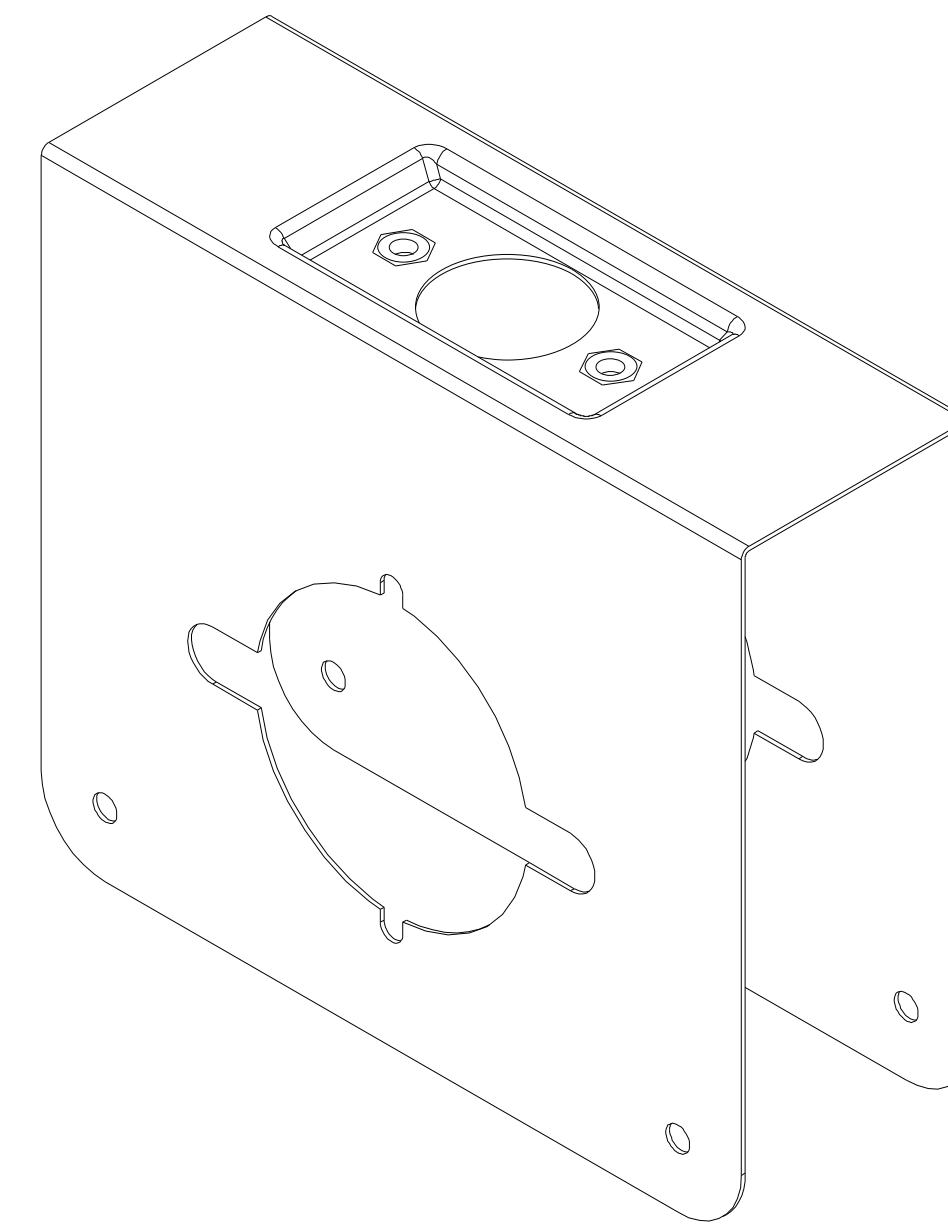
0.500

2.250

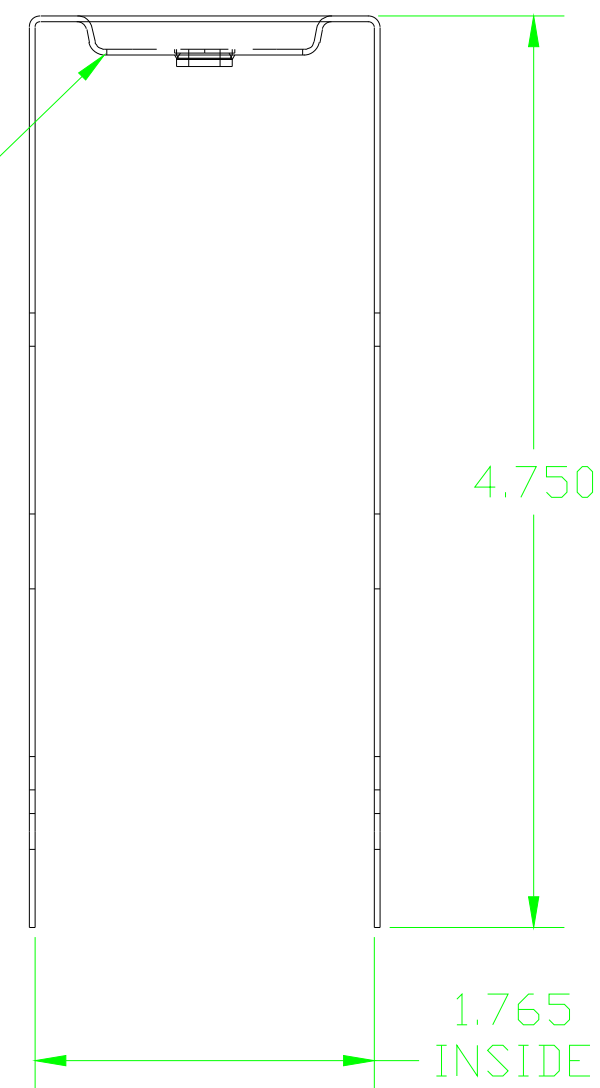
R0.500 (4X)

0.500

4.500



EMBOSS AS SHOWN  
EMBOSS TOOL



4.750

1.765  
INSIDE

# PRO-LOK®

655 North Hariton Street • Orange, CA • 92868

714.633.0681 / PRO-LOK.COM



Item: **EWP-541**

D

C

B

A