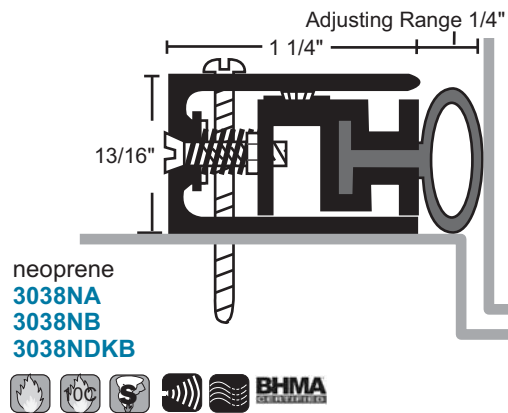
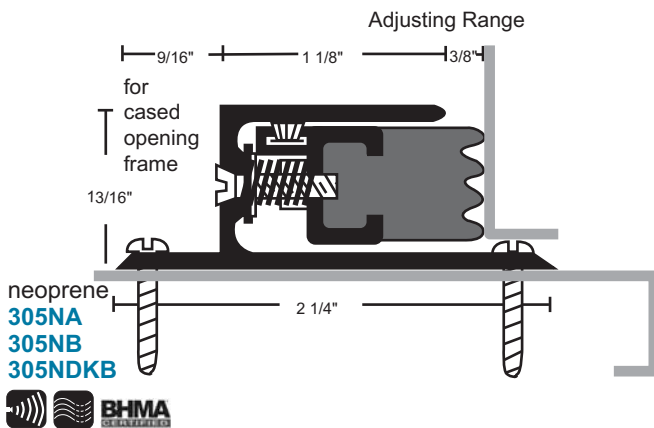
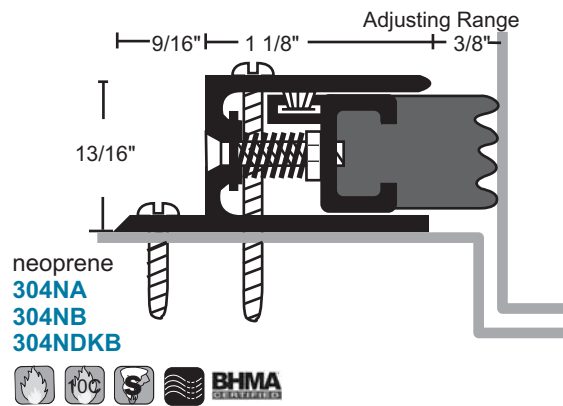
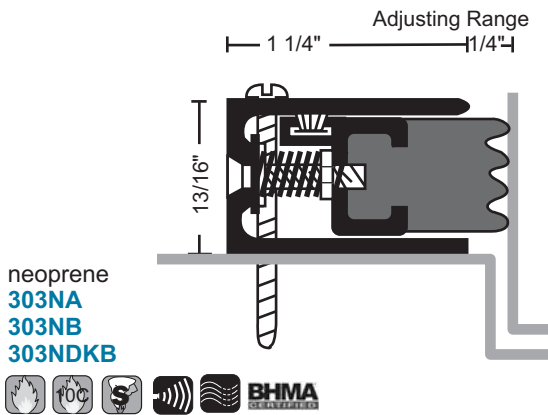
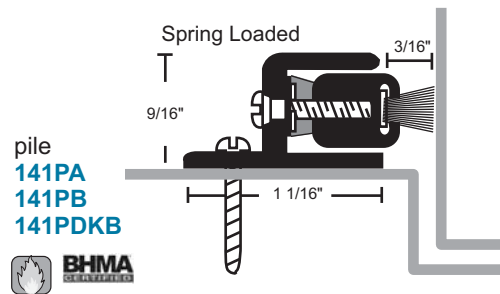
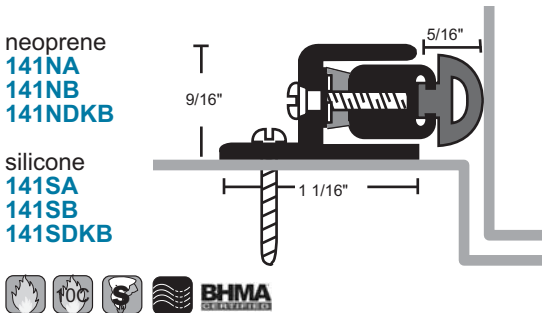


## Spring Adjustable Perimeter Seals

- Adjustment screws on 10" centers allow adjustment without re-positioning mounting location.
- Spring-loaded to maintain pressure for the most effective seal

#6 x 3/4" or #6 x 1 1/2" Stainless Sheet Metal Screws furnished

A - clear  
 B - gold  
 DKB - dark bronze  
 neoprene & silicone are black  
 pile is gray



Spring Adjustable Perimeter Seals