

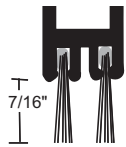
Automatic Door Bottoms - Surface

All products this page

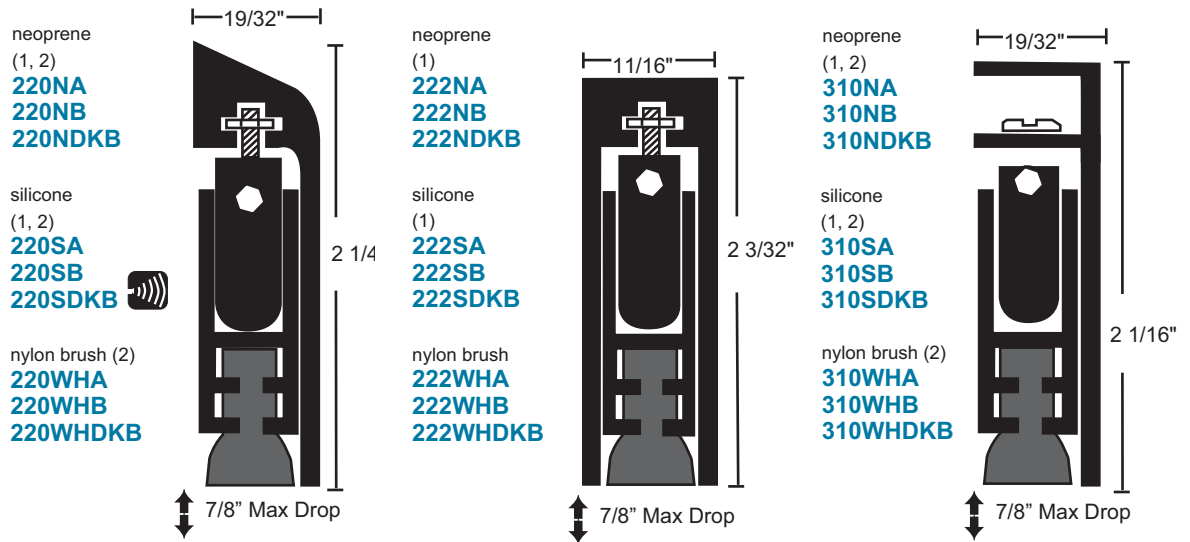


silicone is gray
neoprene is black
brush is gray with mill finish
and stainless steel; black with
gold, DKB and brass

- Mounts on push side of door
- Use with a threshold for maximum sealing capability
- Nylon brush recommended for carpet applications where no threshold is provided
- Specify exact net length required to avoid field sizing.
- 36" and longer may be cut up to 4" in the field, under 36" should not be cut in the field, order net length
- Minimum length 11", maximum length 60" (except 780)
- End caps furnished standard. Models 220, 221, 229, 310 require door handing, RH supplied standard.

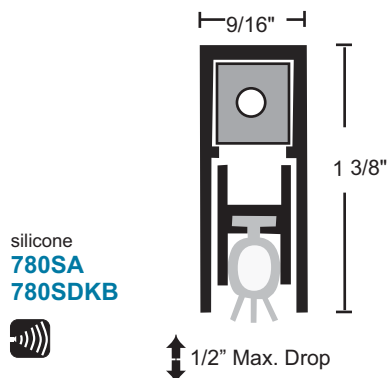


Drop Bar with Nylon Brush - suffix "WH"



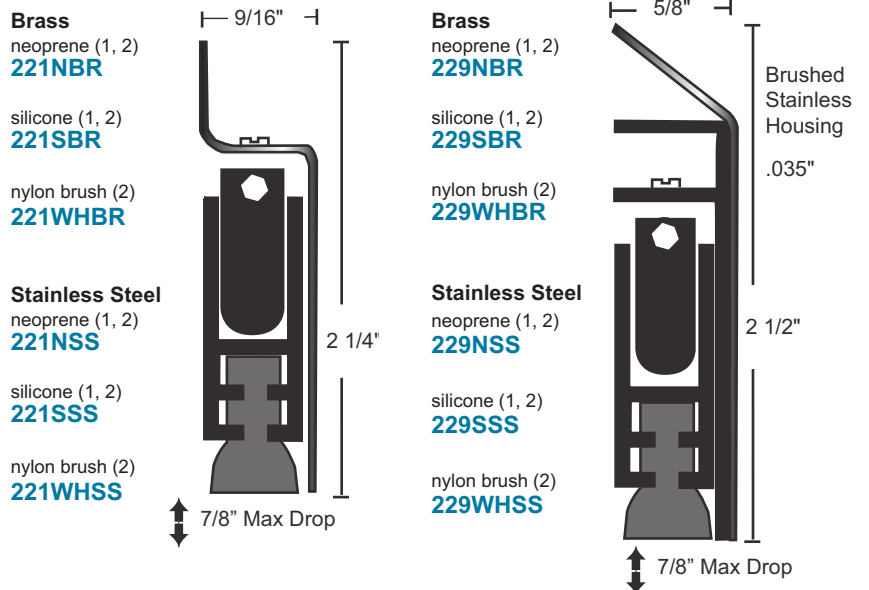
Slimline

Endurance Tested to 5 Million Cycles



Available 23" to 96" in length
End caps furnished standard.
Will work half mortised on swing or sliding doors!

Brass and Stainless Steel

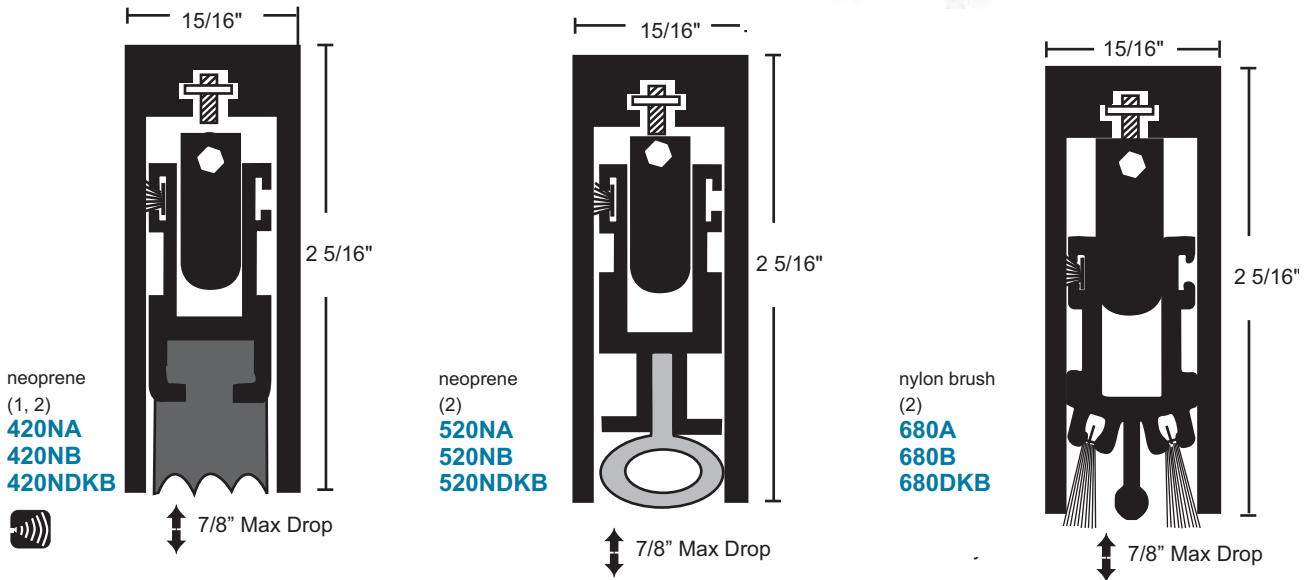
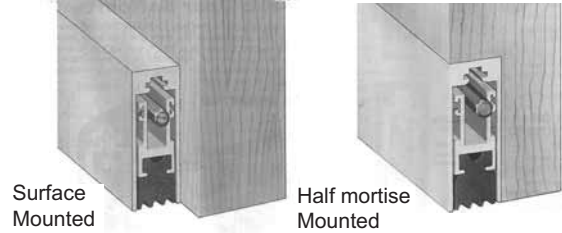


1. Lead insert available for radiation shield - specify "lead-lined"
2. Door Bottom is handed. Right hand supplied unless specified. Field reversible.

Automatic Door Bottoms - Heavy Duty Surface

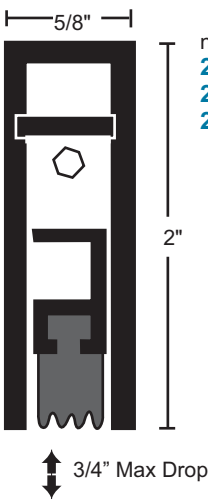
- Mounts on push side of door
- Use with a threshold for maximum sealing capability.
- Nylon brush recommended for carpet applications where no threshold is provided.
- Specify exact net length required to avoid field sizing
- 36" and longer may be cut up to 4" in the field, under 36" should not be cut in the field, order net length.
- Minimum length 11", maximum length 60"
- End caps furnished standard

All products this page



E-Z Touch

SURFACE



- | | |
|-----------------|----------------|
| neoprene | silicone |
| 223NA | 223SA |
| 223NB | 223SB |
| 223NDKKB | 223SDKB |

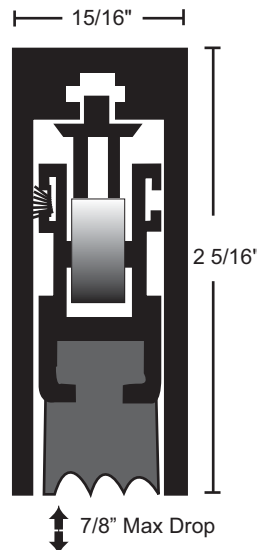
The EZ-Touch door bottom requires only 3 to 5 pounds of pressure to activate.

Perfect for accessibility applications and still provides an effective seal.

Available 23 1/4" net to 48" in length.

End caps available - please specify

Sliding or Pocket Doors Surface or Half Mortise - Heavy Duty



- neoprene (1)
421NA
421NB
421NDKKB

Designed for use on sliding or pocket doors. A series of actuating bars keep the seal parallel to the sill or threshold until the door is in the closed position.

Available 11" to 144" in length.

End caps not available

1. Lead insert available for radiation shield - specify "lead-lined".
 2. For half mortise applications specify HM in item number prior to finish (ie: 420NHMDKB).

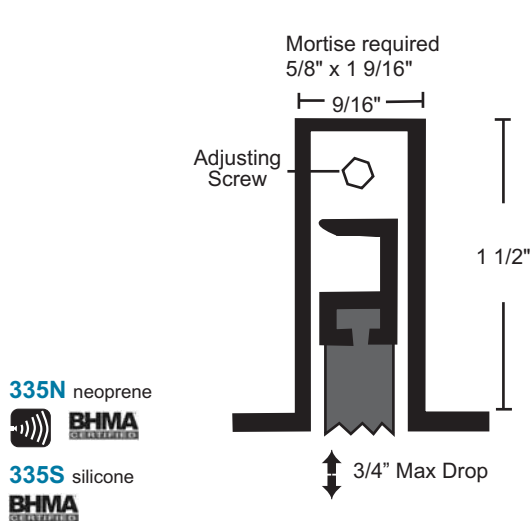
Automatic Door Bottoms - Mortise

- Use with a threshold for maximum sealing capability
- Nylon brush recommended for carpet applications where no threshold is provided
- Specify exact net length required to avoid field sizing
- 36" and longer may be cut up to 4" in the field, under 36" should not be cut in the field, order net length.
- End caps available - please specify

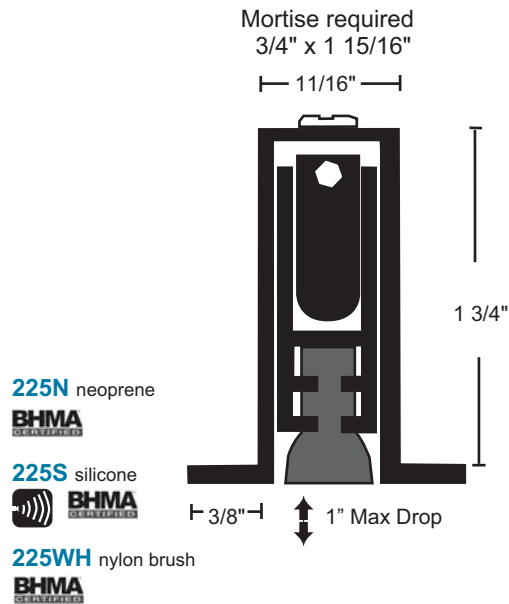
All products this page



neoprene & NGP-TPV are black
silicone, nylon brush & vinyl are gray

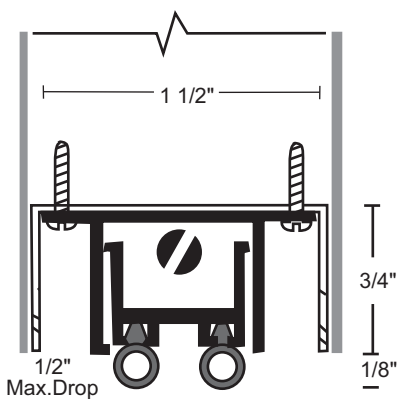


Available 23 1/4" net to 48" in length
Fits wood fire door mortise restrictions



Available 11" to 60" in length
Available with lead insert for radiation shield - specify "lead-lined"

Hollow Metal Doors



Fits in 1 5/8" x 3/4" channel. A "furring strip" may be used to lower automatic door bottom when a deeper channel is used.

Furnished 1/2" shorter than ordered to fit within net door size. (i.e. 36" is furnished 35 1/2") Length may be field cut up to 4".

Fire ratings apply to metal doors only.

#4 x 5/8" SMS furnished

Available 24" to 48" in length

- 320N** NGP-TPV **BHMA**
- 320S** silicone **BHMA**
- 320V** vinyl

Automatic Door Bottoms - Heavy Duty Mortise

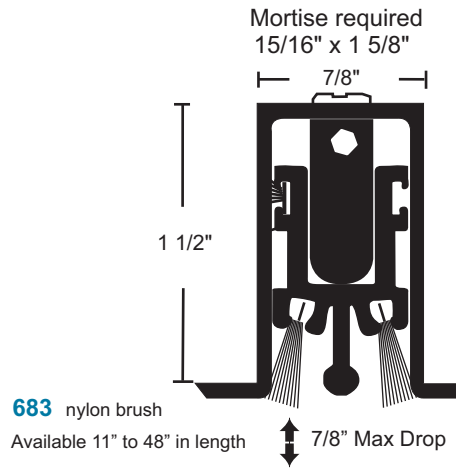
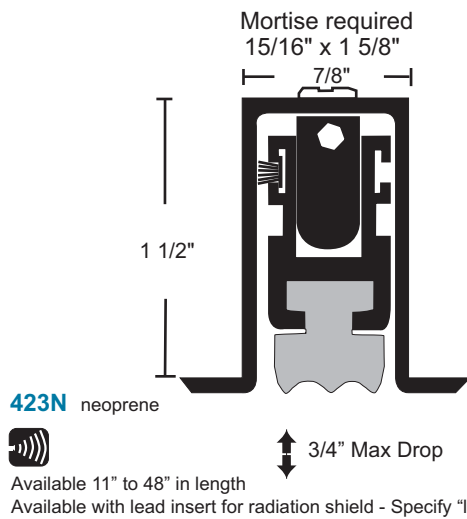
- Use with a threshold for maximum sealing capability
- Nylon brush recommended for carpet applications where no threshold is provided
- Specify exact net length required to avoid field sizing.
- 36" and longer may be cut up to 4" in the field, under 36" should not be cut in the field, order net length.
- Clear anodized end caps furnished standard. DKB end caps available - please specify

All products this section

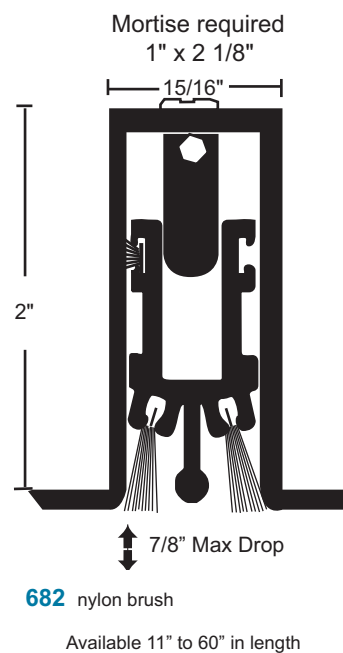
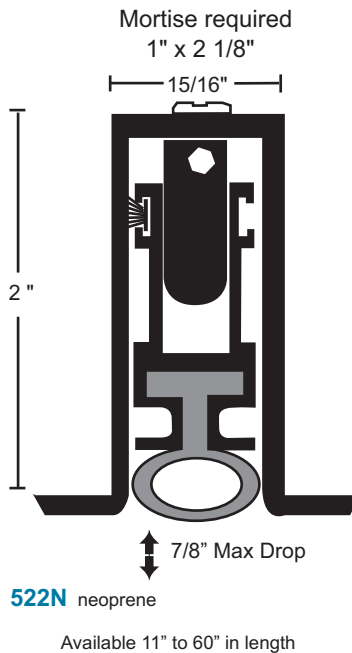
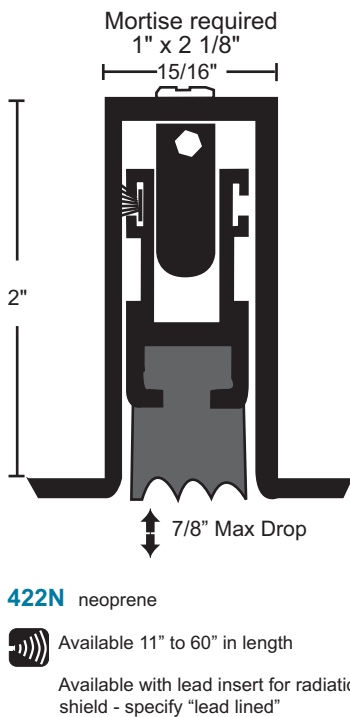


neoprene is black
nylon brush is gray
#4 x 5/8" SMS furnished

Fits Wood Fire Door Mortise Restrictions



Mortise Mounted



All products this section

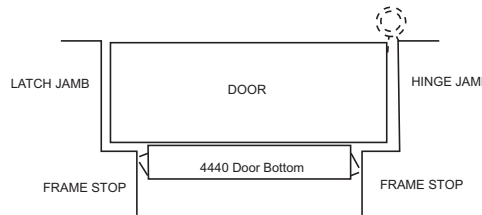


*up to 3 hrs. metal doors, 45 minute wood doors (does not fit mortise restrictions of some wood door manufacturers)

Dual Actuated Automatic Door Bottoms

WILL NOT FUNCTION ON PAIRS OF DOORS

- Actuated by frame stop on both ends
- Low compression & operating force
- Concealed fasteners
- **For pairs use matching single actuated door bottoms shown below**



All products this page



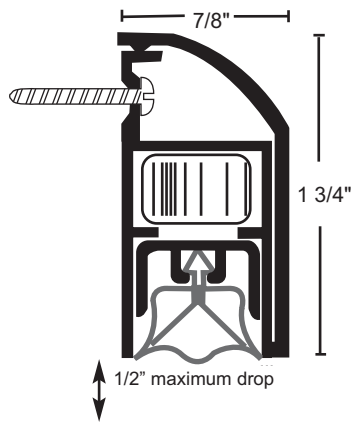
silicone is gray
gray brush with mill finish and clear anodized
black brush with gold and DKB

A - clear anodized
B - gold
DKB - dark bronze
no suffix - mill aluminum

Surface

silicone
4440SA
4440SB
4440SDKB

nylon brush
4440WHA
4440WHB
4440WHDKB

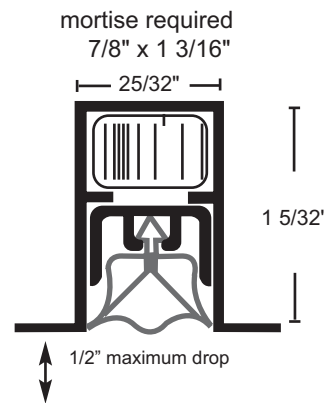


Furnished 1 3/8" shorter than ordered to fit between stops on frame. (i.e. 36" is furnished 34 5/8")
#6 x 3/4" TEK furnished

Mortise

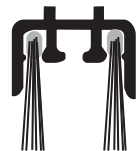
silicone
4447S

nylon brush
4447WH



Furnished 1/4" shorter than ordered to fit net door width. (i.e. 36" is furnished 35 3/4" net) #4 x 5/8" SMS furnished

Available 24" to 96" in length. May be field cut up to 3".



Single Actuated Automatic Door Bottoms

- Matches design of dual actuated door bottoms. For use on pairs of doors or field size for single doors
- Low compression & operating force
- Concealed fasteners

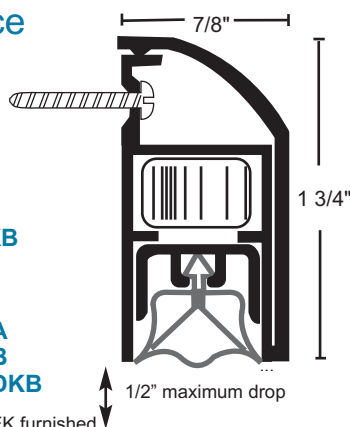
Drop Bar with Nylon Brush - suffix "WH"

Surface

silicone
4441SA
4441SB
4441SDKB

nylon brush
4441WHA
4441WHB
4441WHDKB

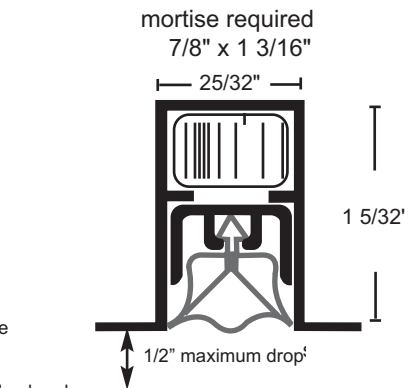
#6 x 3/4" TEK furnished



Mortise

4448S silicone

4448WH nylon brush



Furnished 1/4" shorter than ordered to fit net door size. (i.e. 36" is furnished 35 3/4" net) #4 x 5/8" SMS furnished

HANDED - NOT FIELD REVERSIBLE

Available 24" to 96" in length. May be field cut up to 3".