



## SIGN CAMERA SC1CH36-B

### 1 Unpacking

Unpack carefully. This is electromechanical equipment and should be handled with care. Check for the following items:

- **SC1CH36-B** Sign Camera with color hi-res camera and 3.6mm fixed lens.

If an item appears to have been damaged in shipment, replace it properly in its carton and notify the shipper. If any items are missing, notify Aigis Mechtronics. The shipping carton is the safest container in which the unit may be transported. Save it for possible future use.

### 2 Description

The Aigis Sign Camera was designed to combine CCTV surveillance with stationary signage and placards primarily for use in retail or financial institutions. The Sign Camera accepts stickers, labels, pictures, etc. up to 7 x 3-in (width x height). The adjustable mounting bracket allows the unit to be secured to a table, wall, or ceiling. An adjustment wheel attached to the camera bracket allows the camera to be rotated left or right of center to obtain the desired view. This unit is meant for indoor use only.

### 3 Service

If the unit ever needs repair service, the customer should contact Aigis Mechtronics for return authorization and shipping instructions.

### 4 Care and Maintenance

Clean the unit and viewing window as needed with a mild, nonabrasive detergent in water and a soft cloth.

### 5 Installation

#### 1) Model Designation

Model No.	Input Voltage	Power Requirement
<b>SC1CH36-B</b>	12VDC $\pm$ 10%	0.100A max

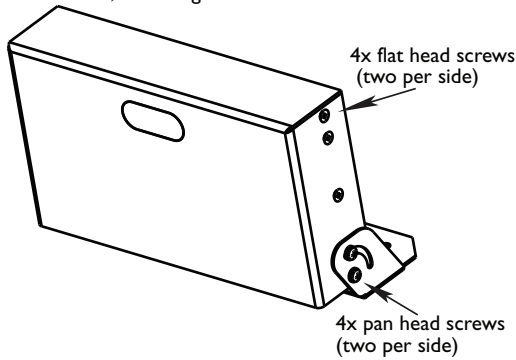
#### 2) Tools Required

- #1 Phillips head screwdriver
- Mounting hardware (recommend 2 x #10 screws and washers, not provided)

#### 3) The unit is shipped from the factory ready for use.

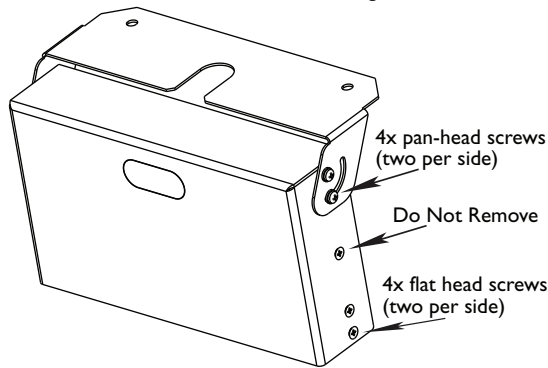
- Refer to the **Figures** on the following pages for features and functionality.
- See **Figure 3** for mounting hole information.

1. To adjust the Sign Camera to the desired angle, loosen the (4) four pan-head screws (do not remove), tilt the unit as desired, and re-tighten the four screws.



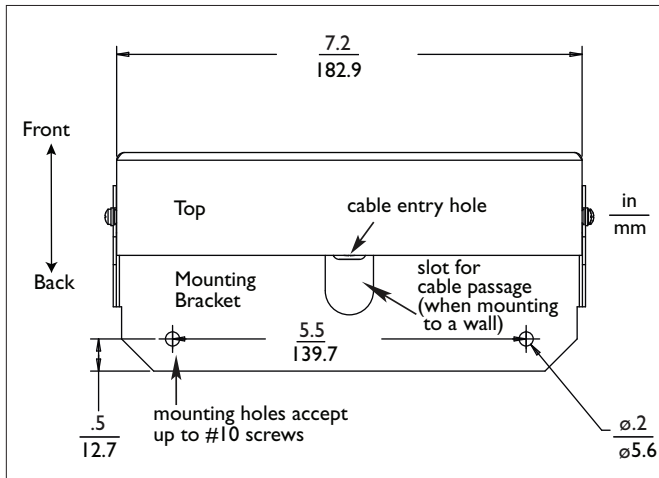
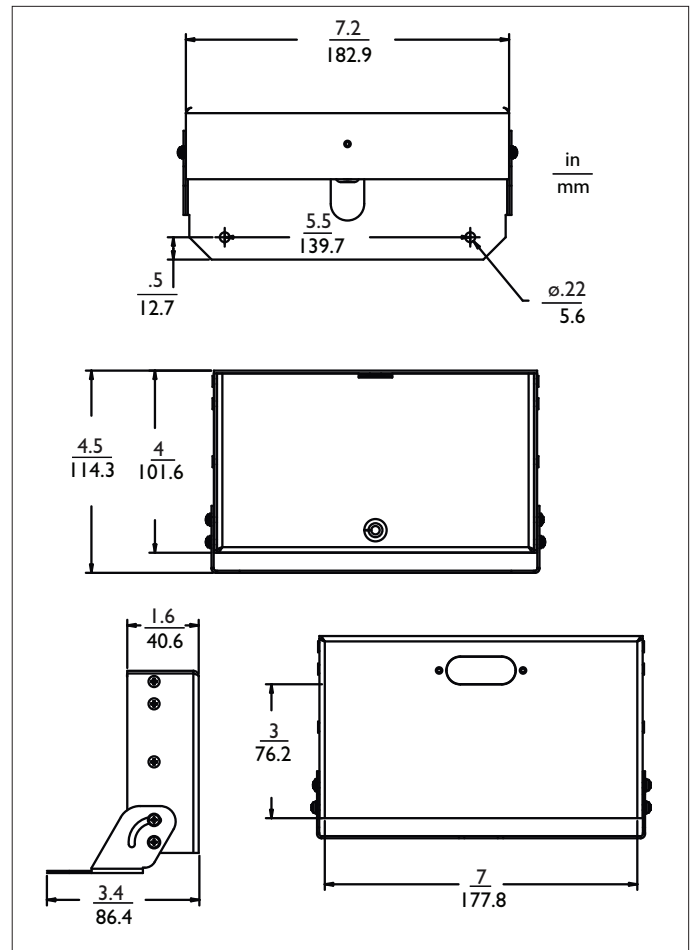
**Figure 1 Bracket - Bottom**

2. Mounting the unit to a ceiling or overhang requires removing the bracket and re-attaching it as shown. Remove the four pan head screws and the four flat head screws. Leave the two central flat head screws in place. Realign the bracket as shown, insert the 4 pan-head screws to hold the bracket, and replace the 4 flat head screws in the remaining holes.



**Figure 2 Bracket - Top**

**DIMENSIONAL OUTLINES**



**Figure 3 Dimensional Close Up**



mechtronics

©2010 Aigis Mechtronics

1124 Louise Road, Winston-Salem, NC 27107-5450

Tel: 336.785.7740 Fax: 336.785.7744

www.aigismech.com

100 0268 001 AIG 08/10

Printed in U.S.A.

Data subject to change without notice.