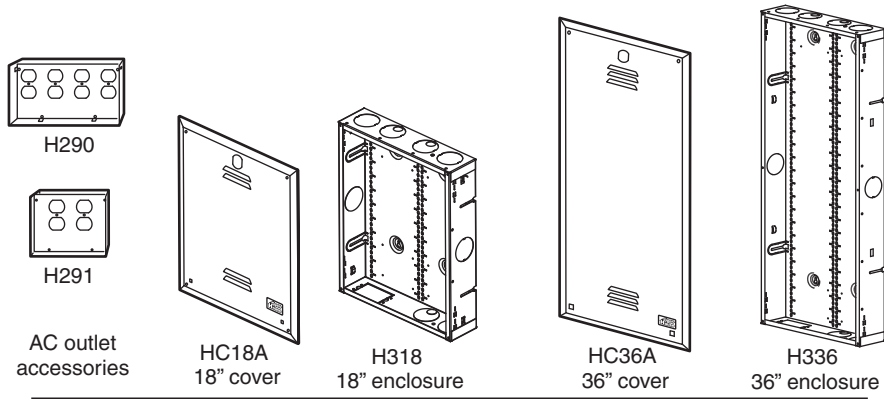


ChannelPlus® Enclosures

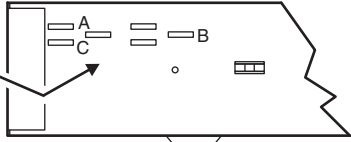


Mounting the enclosure

1. For tab mounting, install the mounting tabs

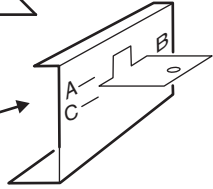
A. Select the proper slots for the wallboard thickness.

Slots A - For 3/8" wallboard
Slots B - For 1/2" wallboard
Slots C - For 5/8" wallboard



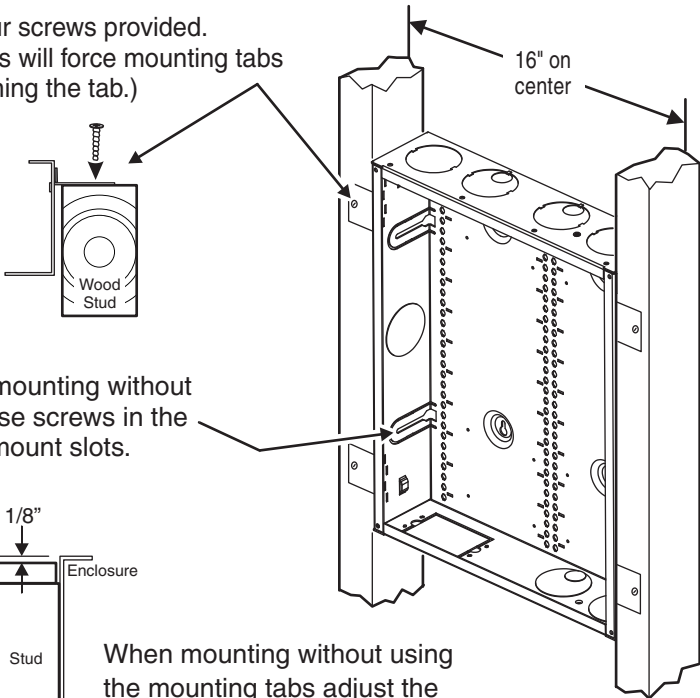
B. Insert mounting tab.

(Don't worry if the tabs seem loose - they tighten up when screwed to the studs.)

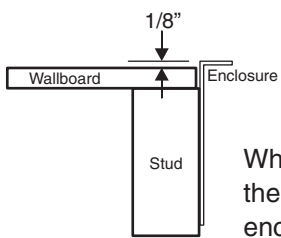


2. Attach enclosure

Use the four screws provided.
(The screws will force mounting tabs flat, tightening the tab.)



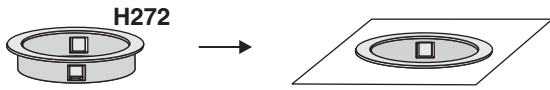
Or, when mounting without the tabs, use screws in the four slide mount slots.



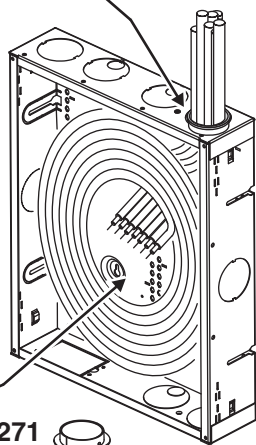
When mounting without using the mounting tabs adjust the enclosure to protrude 1/8" beyond the wallboard surface.

Installing cables

Remove the knockouts as needed and line the holes with the grommets provided.



H272 Grommet

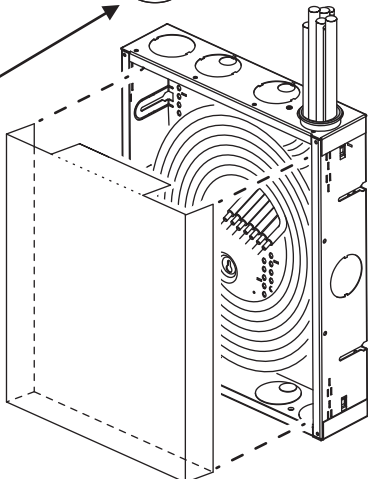


The H318 and H336 enclosures include H272 grommets. If you need more grommets, they are available as part number H272.

Remove paint shield and save. Route cabling into enclosure.

H271 Coupling tube

Use H271 (not included) to join 2 or more enclosures.

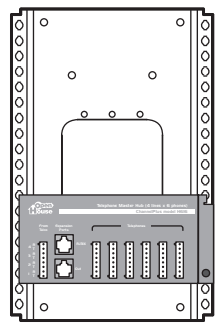
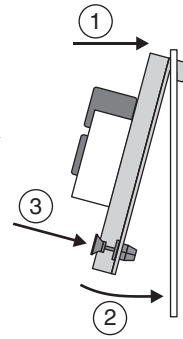


After cabling is routed, reverse paint shield and return it to the enclosure to protect cabling.

If H290 is installed, fold flaps on the paint shield to bend the shield over the H290 AC outlet accessory.

OpenHouse modules attach from the top

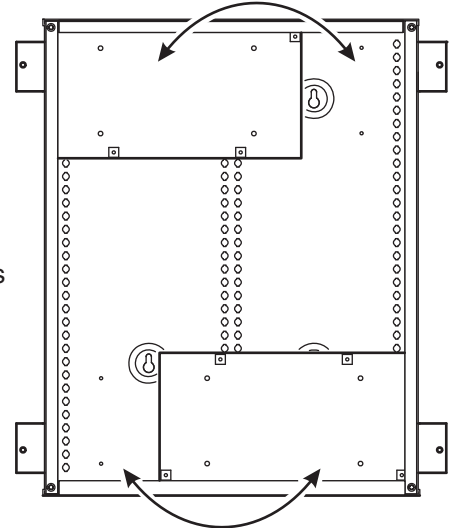
- 1) Hook from the top
- 2) Swing into place
- 3) Push button to lock



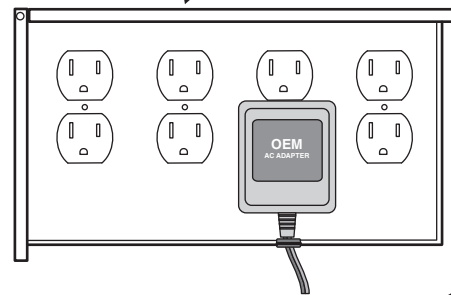
Mounting the H290/H291 AC outlet accessory

H290/H291 installs in any of 4 locations

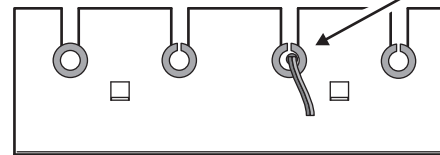
The H290/H291 accessory brings AC power inside the H318 and H336 enclosures. The H290/H291 gives the installer a clean location to mount power adapters. Mount the H290/H291 in any corner of the enclosure using the four #6 screws provided. Installation of AC outlets should be done only by a qualified electrician.



1/2" knockouts for 120VAC

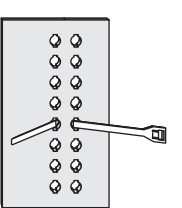
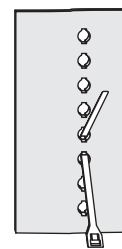
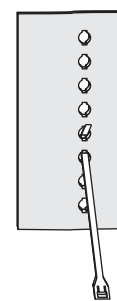
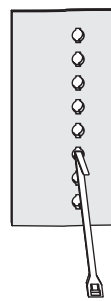


The H290/(H291) provides space for 4/(2) standard duplex receptacles. Wires should exit the H290/(H291) using the grommets provided. The grommets may be cut as shown.



Using wire ties with the OpenHouse® grid

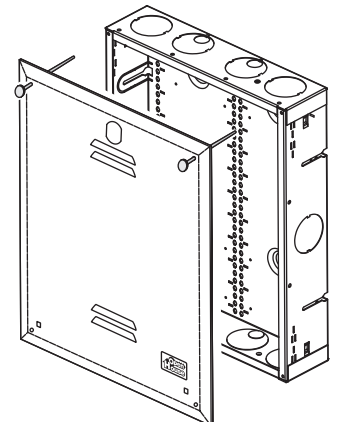
- 1) Fold back tip of wire tie and insert into hole
- 2) Push wire tie slowly into hole until tip snaps to next hole
- 3) Pull tip through second hole
- 4) Works horizontally too



Installing the cover

An old electrician's trick ...

When hanging a heavy cabinet cover, insert two nails (included) through the mounting holes on the cover. Guide the nails into the mating holes on the enclosure and let the cover hang from the nails while you attach the screws.



Grounding the cabinet

When used with model H290/H291 accessory, the grounding lug on the H290/H291 is used. Standard #10-32 grounding screws may be added to the tapped holes top or bottom.

Optional lock kit - H208

Remove knockouts on the cover to install optional lock kit H208. If an H290/H291 is used the cover must be fastened to the enclosure using the included screws (even when using the lock kit.) This is a UL requirement.

