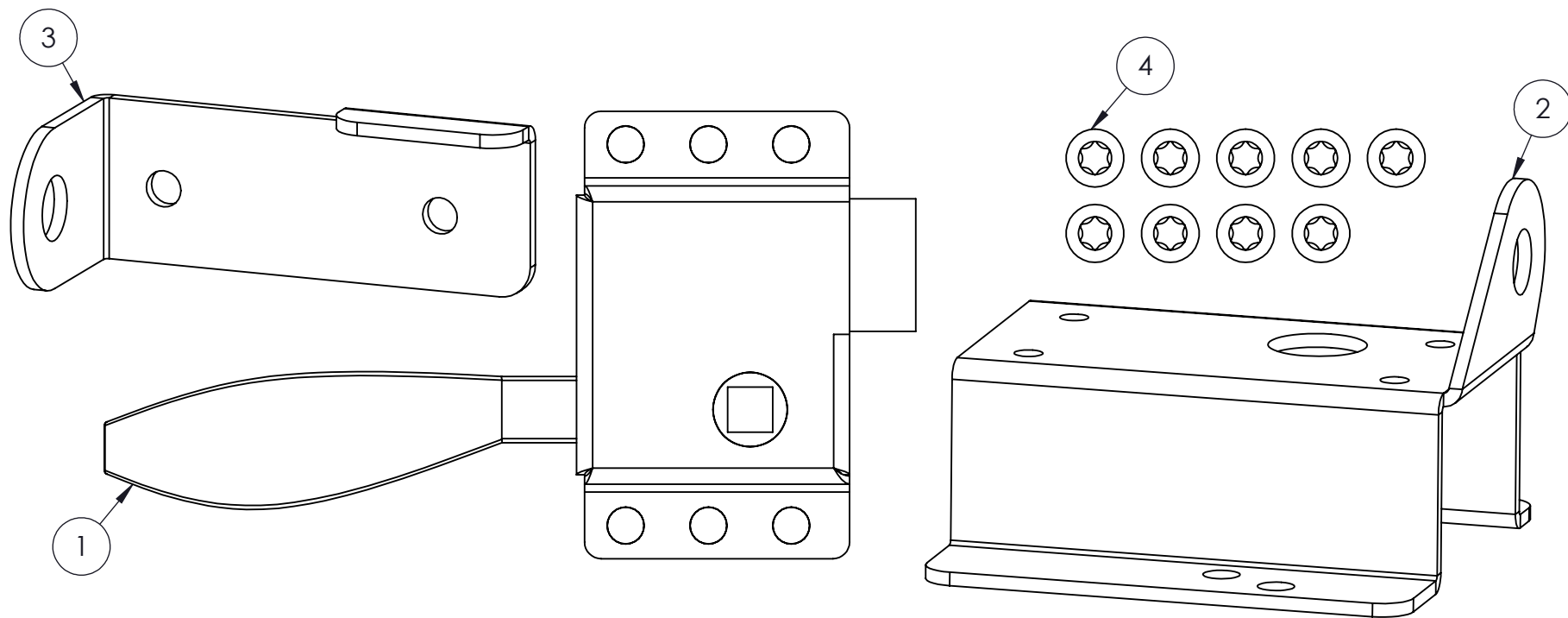


ITEM NO.	PART NUMBER	QTY.	DESCRIPTION
1	0501	1	LATCH ROOF HATCH 55 CAB LOCK
2	RH-008	1	BRACKET CAB LOCK COVER
3	RH-002	1	BRACKET LATCH CATCH CURB
4	1246	9	SCREW ROUND HEAD TORX 1/4-20X3/4 STEEL

REVISIONS					
REV	ECO	DESCRIPTION	REV. DATE	REV. BY	REV. CHECKED BY
A		NEW RELEASE			

F  
E  
D  
C  
B  
A

F  
E  
D  
C  
B  
A



NOTES:

MATERIAL		SHEET 1 OF 1		
FINISH		UNLESS OTHERWISE SPECIFIED: DIMENSIONS ARE IN INCHES		
CREATED	NAME JHL	DATE 01/04/2018	TOLERANCES:	
CHECKED	AGA	1/4/2018	ANGULAR: BEND $\pm 1^\circ$ .XX $\pm .020$ .XXX $\pm .015$ HOLES $\pm .005$	
CONFIDENTIALITY STATEMENT PROPRIETARY AND CONFIDENTIAL THE INFORMATION CONTAINED IN THIS DRAWING IS THE SOLE PROPERTY OF ACTIVAR CONSTRUCTION PRODUCTS GROUP, INC. ANY REPRODUCTION IN PART OR AS A WHOLE WITHOUT THE WRITTEN PERMISSION OF ACTIVAR CONSTRUCTION PRODUCTS GROUP, INC. IS PROHIBITED. COPYRIGHT 2017 ACTIVAR CONSTRUCTION PRODUCTS GROUP, INC.		DO NOT SCALE DRAWING	INTERPRET GEOMETRIC TOLERANCING PER: ASME Y 14.5 M-1994	TITLE: ROOF HATCH RHD SERIES KIT, ROOF HATCH, SLAM LATCH
		THIRD ANGLE	SCALE: 1:1.25	SIZE DWG. NO. A RHD-KIT-LATCH

8 7 6 5 4 3 2 1