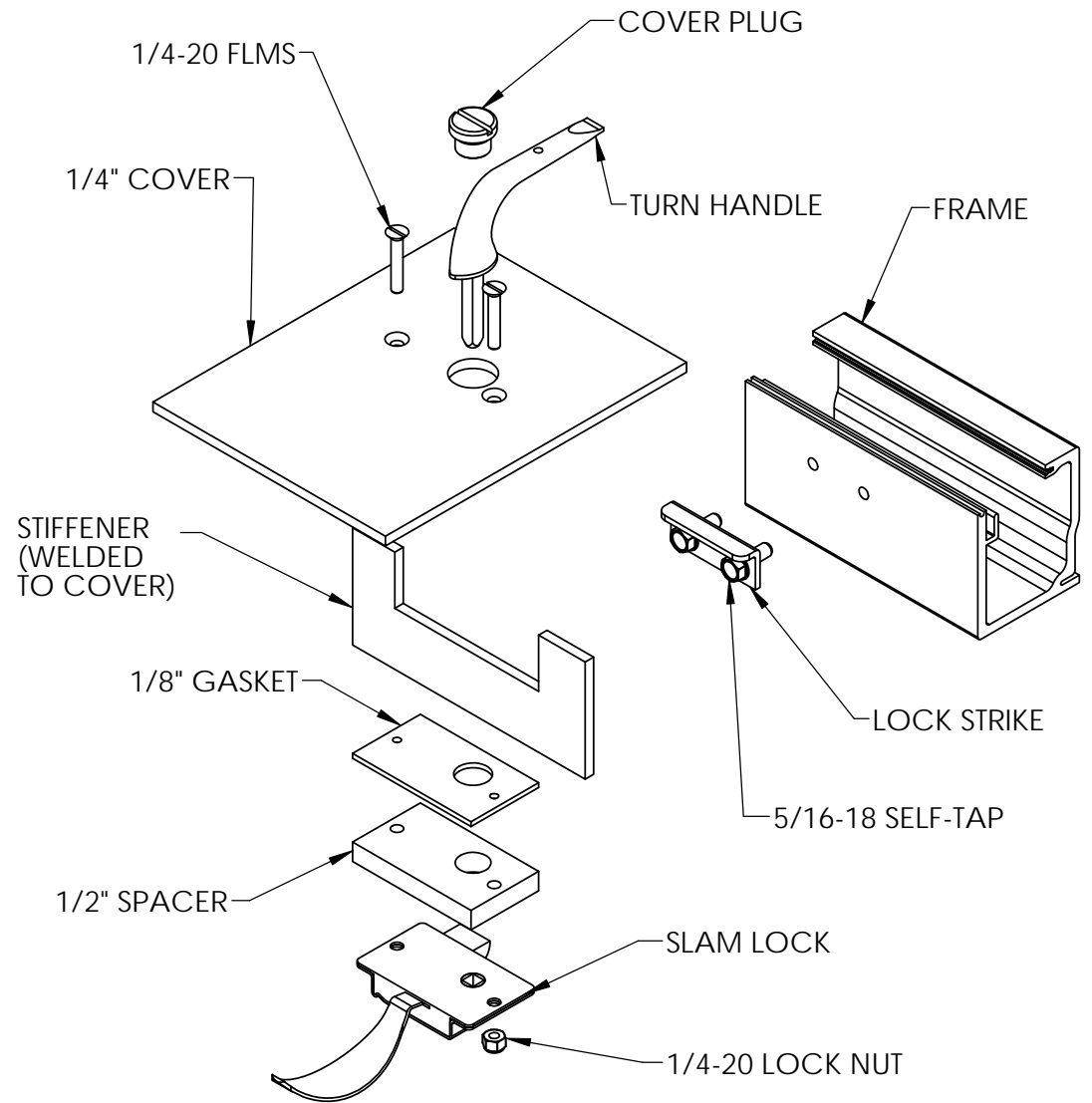



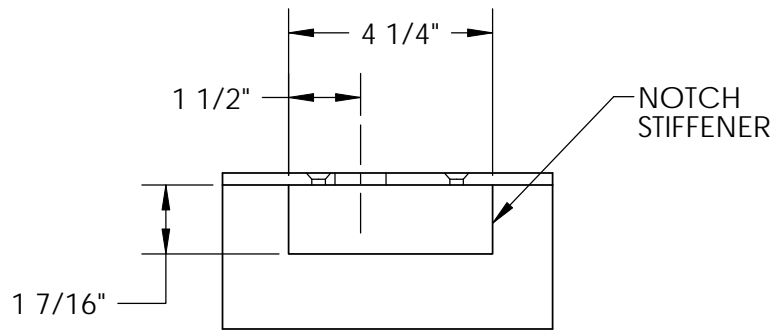
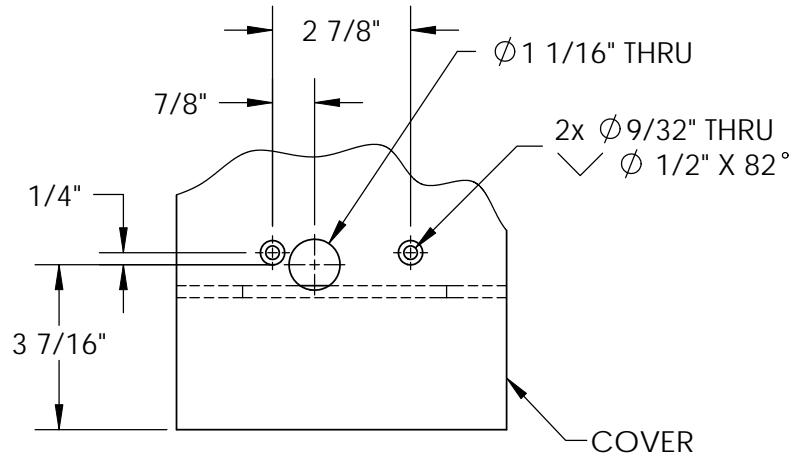
SECTION VIEW



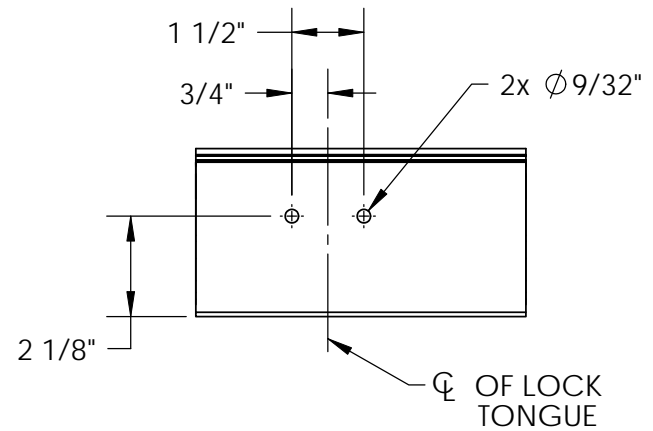
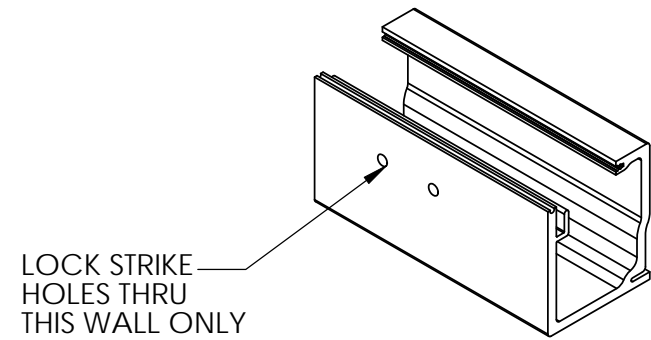
ISOMETRIC

UNLESS OTHERWISE SPECIFIED: REMOVE ALL BURRS & SHARP CORNERS DIMENSION TOLERANCES x.xxx +/- .010 x.xx +/- .015 x.x +/- .030 ANGLES +/- 2° FRACTIONS +/- 1/32	DRAWN DJC	NAME/# DJC	DATE 3/17/11	 Manufacturers of Doors for Special Services THE BILCO COMPANY New Haven, Connecticut 06505
	ORG. AUTHOR			
	ORG. ECR			
	Q.A.			
INTERPRET GEOMETRIC TOLERANCING PER:	3RD-ANGLE PROJECTION			TITLE: J-AL SLAM LOCK FIELD INSTALL
MATERIAL				SIZE DWG. NO. A J-AL SLAM
FINISH				REV XX
DO NOT SCALE DRAWING				SCALE: 1:2 WEIGHT: SHEET 1 OF 2

THIS DRAWING IS THE PROPERTY OF THE BILCO COMPANY AND INCORPORATES PROPRIETARY INFORMATION. PUBLICATION AND/OR PUBLIC DISTRIBUTION IN WHOLE OR IN PART IS EXPRESSLY PROHIBITED WITHOUT THE PRIOR WRITTEN CONSENT OF THE BILCO COMPANY. THE INFORMATION CONTAINED HEREIN REMAINS THE PROPERTY OF THE BILCO COMPANY. ALL RIGHTS RESERVED.



COVER MODIFICATIONS



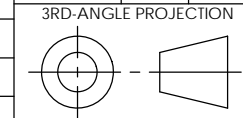
FRAME MODIFICATIONS

THIS DRAWING IS THE PROPERTY OF THE BILCO COMPANY AND INCORPORATES PROPRIETARY INFORMATION. PUBLICATION AND/OR PUBLIC DISTRIBUTION IN WHOLE OR IN PART IS EXPRESSLY PROHIBITED WITHOUT THE PRIOR WRITTEN CONSENT OF THE BILCO COMPANY. THE INFORMATION CONTAINED HEREIN REMAINS THE PROPERTY OF THE BILCO COMPANY. ALL RIGHTS RESERVED.

UNLESS OTHERWISE SPECIFIED:
REMOVE ALL BURRS & SHARP CORNERS
DIMENSION TOLERANCES
x.xxx +/- .010
x.xx +/- .015
x.x +/- .030
ANGLES +/- 2"
FRACTIONS +/- 1/32

INTERPRET GEOMETRIC TOLERANCING PER:
MATERIAL
FINISH
DO NOT SCALE DRAWING

NAME/#	DATE
DRAWN DJC	3/17/11
ORG. AUTHOR	
ORG. ECR	
Q.A.	



Bilco Manufacturers of Doors for Special Services
THE BILCO COMPANY
New Haven, Connecticut 06505

TITLE: J-AL SLAM LOCK FIELD INSTALL		
SIZE A	DWG. NO. J-AL SLAM	REV XX
SCALE: 1:4	WEIGHT:	SHEET 2 OF 2