

TEMPLATE

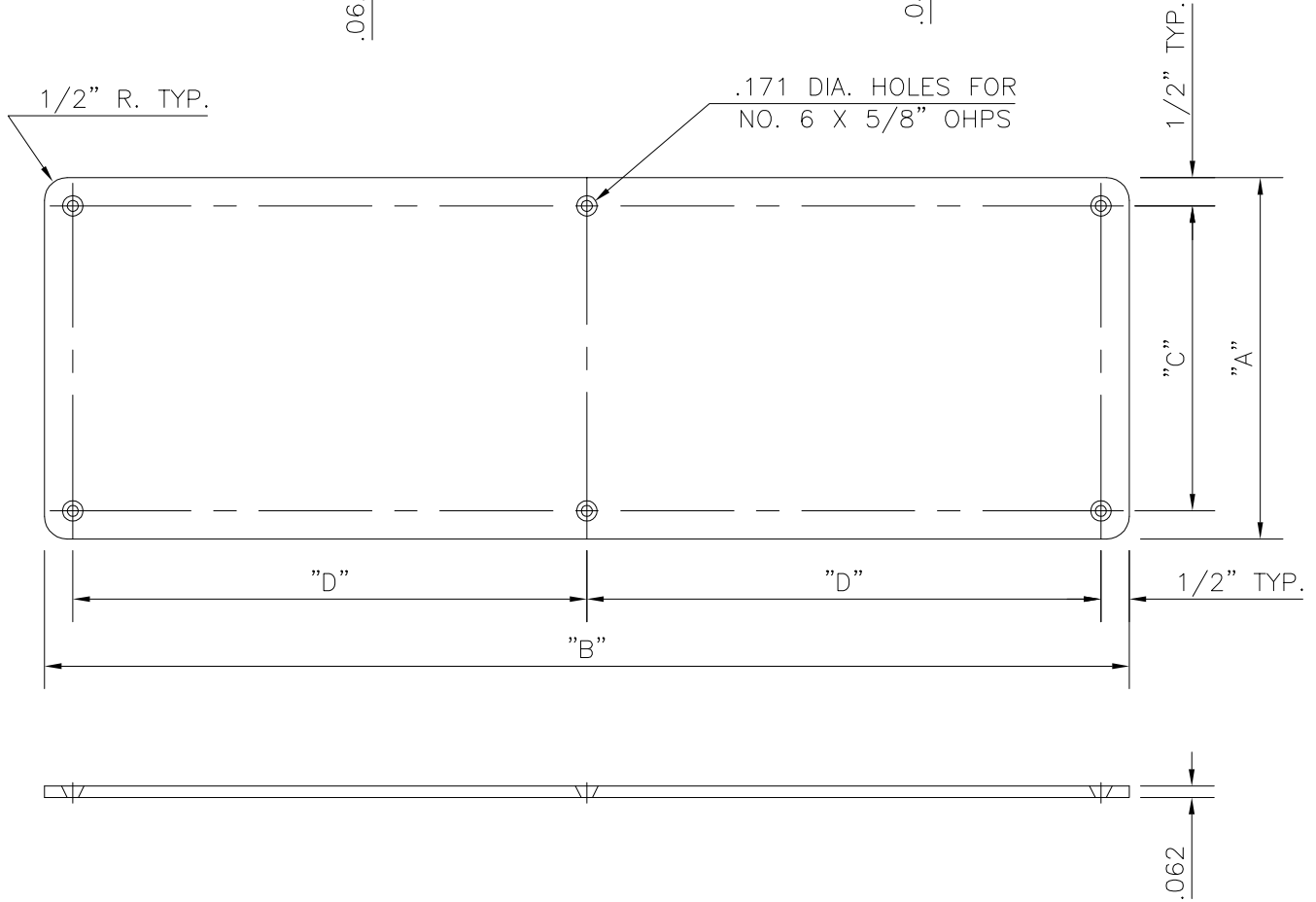
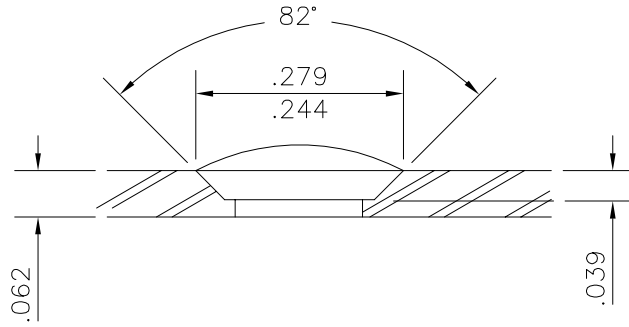


PLATE SIZE	"A"	"B"	"C"	"D"
3 X 12	3"	12"	2"	5 1/2"
3 1/2 X 15	3 1/2"	15"	2 1/2"	7"
4 X 16	4"	16"	3"	7 1/2"
6 X 16	6"	16"	5"	7 1/2"
8 X 16	8"	16"	7"	7 1/2"

DO NOT SCALE

