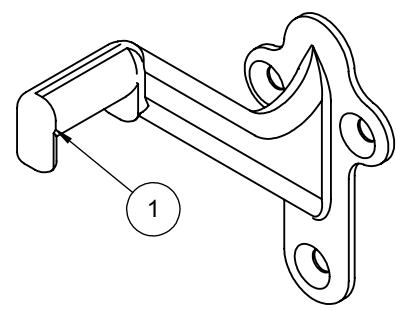
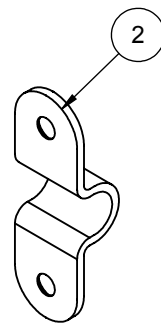
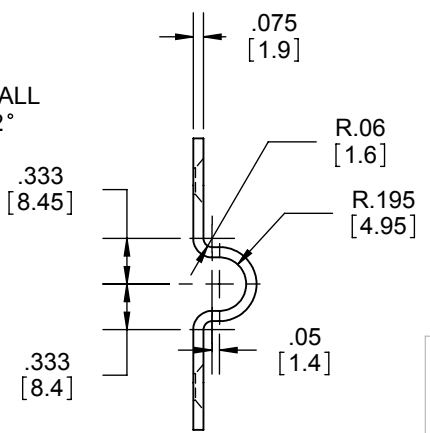
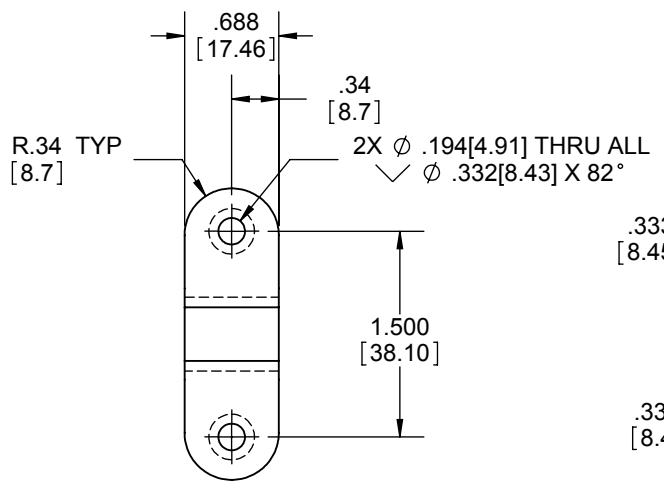
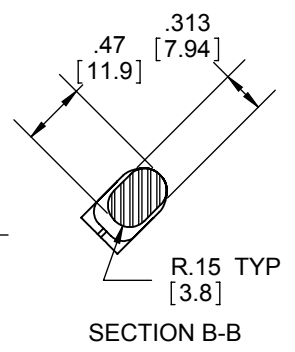
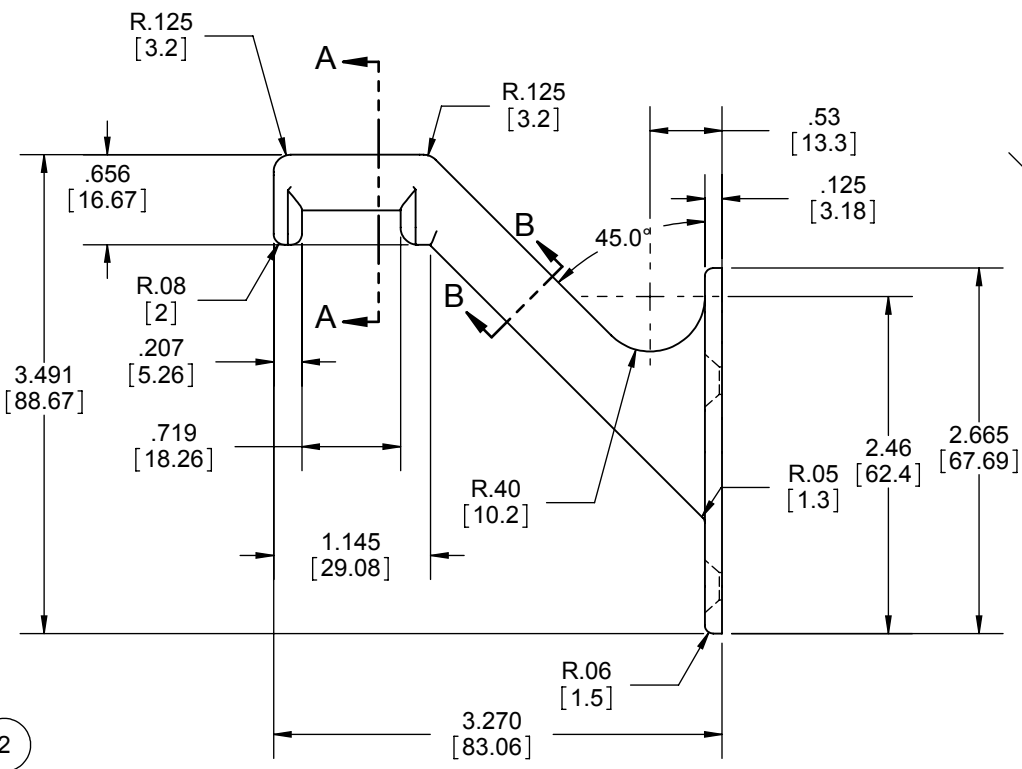
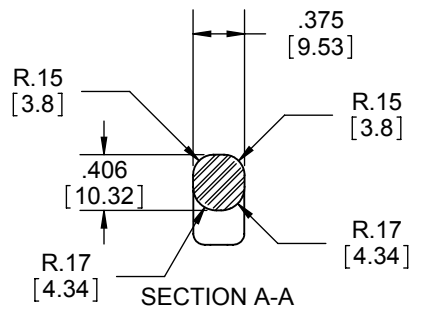
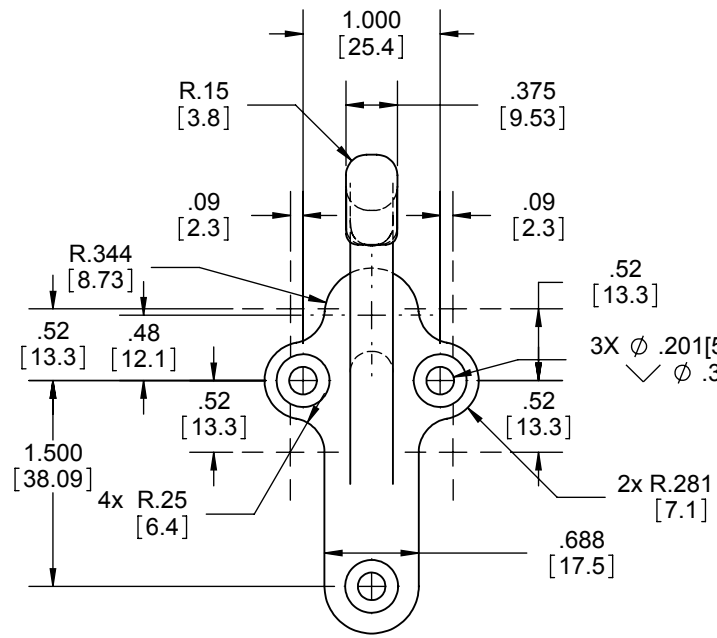


| REVISIONS |                   |           |          |
|-----------|-------------------|-----------|----------|
| REV.      | DESCRIPTION       | DATE      | APPROVED |
| -         | ECO TA07019       | 3/7/2007  |          |
| 01        | ECO TA07019 REV 2 | 7/13/2007 |          |
| 02        | CHANGE SCREW SIZE | 9/12/2007 |          |



- NOTES:**
- INCLUDED (3) #10 - 1 1/2" OPHW SCREWS.
  - INCLUDED (2) #8 - 3/4" OPHW SCREWS.
  - REMOVE ALL SHARP EDGES OR BURRS

| ITEM NO. | PART NUMBER | DESCRIPTION | QTY. |
|----------|-------------|-------------|------|
| 1        | 6601-1      | HOOK        | 1    |
| 2        | 6601-2      | Bracket     | 1    |

|  |   |            |             |                      |   |   |   |
|--|---|------------|-------------|----------------------|---|---|---|
| <p><b>PROPRIETARY &amp; CONFIDENTIAL</b></p> <p>THE INFORMATION CONTAINED IN THIS DRAWING IS THE SOLE PROPERTY OF HAGER COMPANIES. ANY REPRODUCTION IN PART OR AS A WHOLE WITHOUT THE WRITTEN PERMISSION OF HAGER COMPANIES IS PROHIBITED.</p> | <p>HAGER RESERVES THE RIGHT TO MAKE DESIGN CHANGES WITHOUT NOTICE. CALL HAGER ENGINEERING AT 1-800-325-9995 FOR THE LATEST REVISION DATE OF TEMPLATE.</p> | DRAWN      | MRJ         | 2/28/07              | <p>6601<br/>HANDRAIL BRACKET AND HOOK</p> |   |   |
|  |   | ENG. APPR. |             |                      |   |   |   |
|  |   | MATERIAL   | ALUMINUM 01 |                      | TOLERANCES:                               |   | <p>SIZE DWG. NO.</p> <p><b>B</b> S-TA000011</p> |
|  |   | FINISH     |             | DO NOT SCALE DRAWING |   | <p>FRACTIONAL: ±0.015"</p> <p>ANGULAR: MACH: ±1° BEND: ±1°</p> <p>TWO PLACE DECIMAL: ±0.01"</p> <p>THREE PLACE DECIMAL: ±0.004"</p> |   |
|  |   | SCALE: 1:2 |             | WEIGHT: 0.03         |   | REV. 02   |   |
|  |   |            |             |                      |   | SHEET 1 OF 1  |   |