

HAWA Folding Concepta 25



- > Door weight: max. 25 kg (55 lbs.), per pair 50 kg (110 lbs.)
- > Door height: 1250–1850 mm (49 3/16"–72 13/16") or 1851–2600 mm (72 7/8"–102 3/8")
- > Door width: 300–700 mm (11 13/16"–27 9/16")
- > Door thickness: 19–26 mm (3/4"–1")



→ Fitting Sets for 2-Door or 4-Door Applications

Door height	Handing	clear anodized	black anodized
1250–1850 (49 3/16"–72 13/16")	left	408.31.008	408.31.012
	right	408.31.009	408.31.013
1851–2600 (72 7/8"–102 3/8")	left	408.31.010	408.31.014
	right	408.31.011	408.31.015

Supplied With
1 set

Note
For a 4-door application order 1 left and right set.

→ Fitting Sets for 3-Door Applications

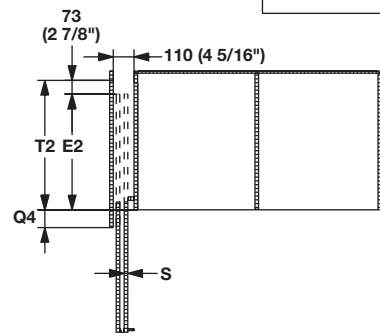
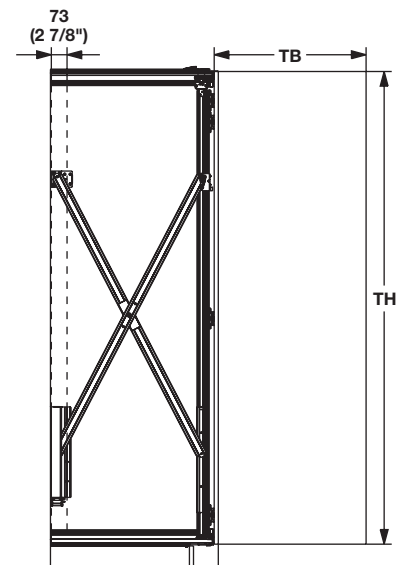
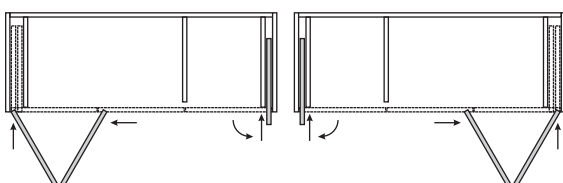
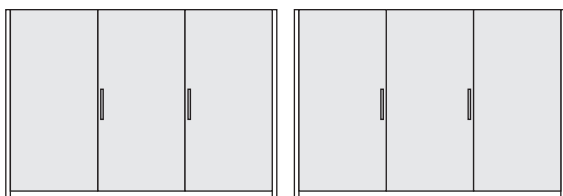
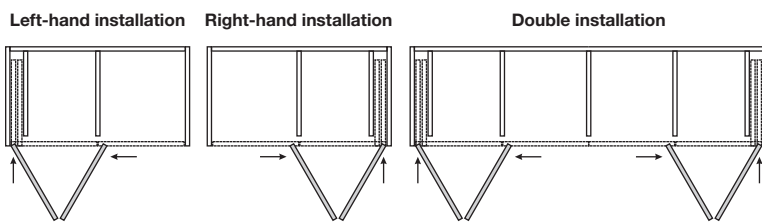
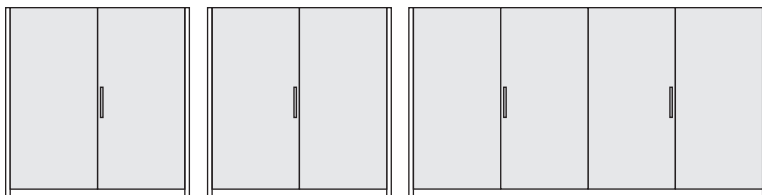
Door height	Handing	clear anodized	black anodized
1851–2600 (72 7/8"–102 3/8")	left	408.31.016	408.31.018
	right	408.31.017	408.31.019

Supplied With
1 set

Note
For a 3-door system order 1 set of the above listed sets and 1 set of the Hawa Concepta 30/40 or 50 fitting set. See page 7.126

7

Sliding and Roller Shutter Systems



- T2** = TB + 73 mm (2 7/8") - Q4
- E2** = T2 - 73 mm (2 7/8")
- Q4** = 75 mm (2 15/16" + S)
- T2** ≤ 680 mm (26 3/4")
- TH** = Door height
- TB** = Door width
- S** = Door thickness

Dimensional data not binding. Dimensions in mm, inches are approximate. We reserve the right to alter specifications without notice.