

- Recessed
- Stainless Steel
- Model 940 – with Mortar Lugs
- Model 9402 – with Wall Clamp

Product Materials

SOAP DISH: 20 gauge stainless steel with exposed surfaces in architectural satin finish. Drawn one-piece seamless construction.

DRIP LIP: 18 gauge stainless steel with exposed surfaces in architectural satin finish.

Installation

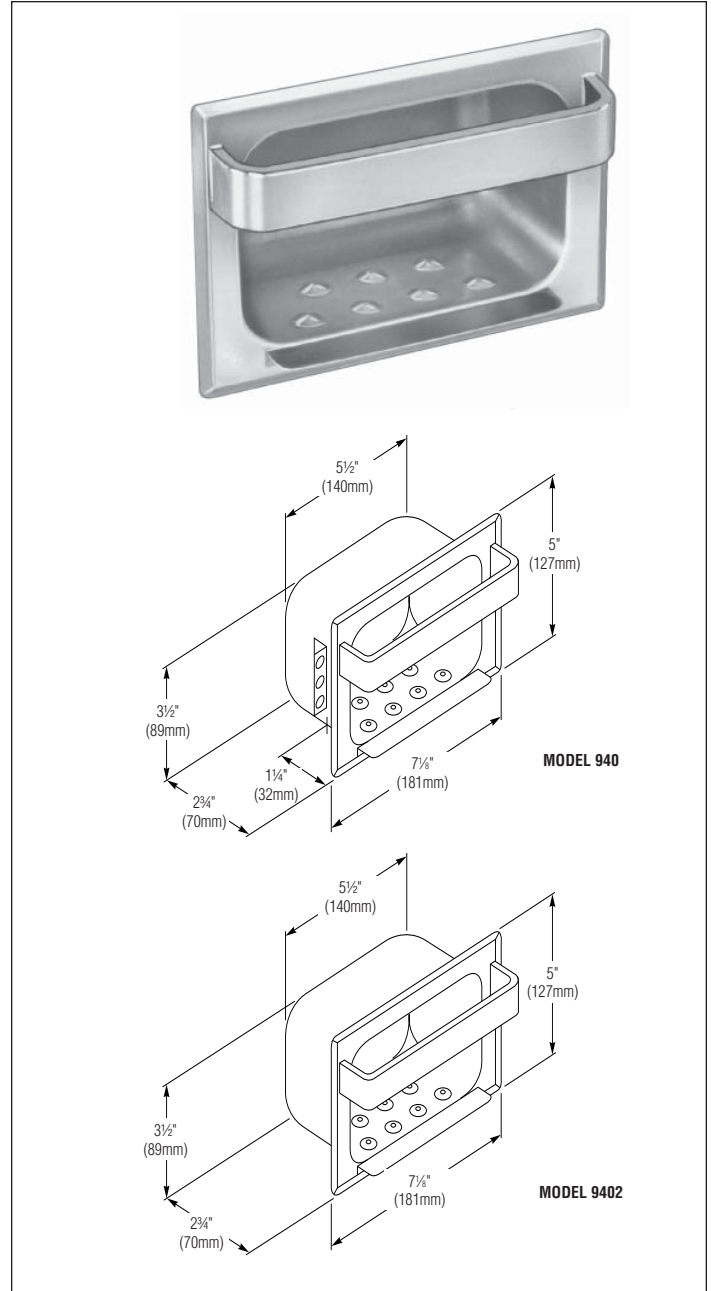
Verify all rough-in dimensions prior to installation. Requires rough wall opening $6\frac{1}{4}"$ W x $4\frac{1}{4}"$ H x $2\frac{3}{4}"$ D. Model 940 has mortar lugs for anchoring in cement. Model 9402 has recessed wall clamp.

Guide Specification

Recessed soap dish shall be fabricated of 20 gauge stainless steel of drawn seamless construction and satin finish.

Overall dimensions: $7\frac{1}{8}"$ W x $5"$ H x $2\frac{3}{4}"$ D.

⚠ WARNING: Towel bar is not to be used as a grab bar.



Washroom Accessories
Document No. 8950

This information is subject to change without formal notice.

Always consult local and national codes for proper installation guidelines. Conformity and compliance to local and national codes is the responsibility of the installer.

11-10-2009

© 2009 Bradley Corporation
P.O. Box 309, Menomonee Falls, WI 53052-0309
Phone: 800.BRADLEY (800.272.3539) Fax: 262.253.4161
bradleycorp.com