

- Stainless Steel – Extra Heavy Duty
- Surface-Mounted
- Bradex**[®]

Product Materials

SOAP DISH: 7 gauge stainless steel with exposed surfaces in architectural satin finish. Formed from single piece of stainless steel. Three drain holes in bottom.

Operation

Three holes in bottom of tray permit water drainage.

Installation

Verify all rough-in dimensions prior to installation. Secure to wall with mounting screws (stainless steel 1/4"-20 x 1-1/4" flat Allen head machine screws included) at holes provided.

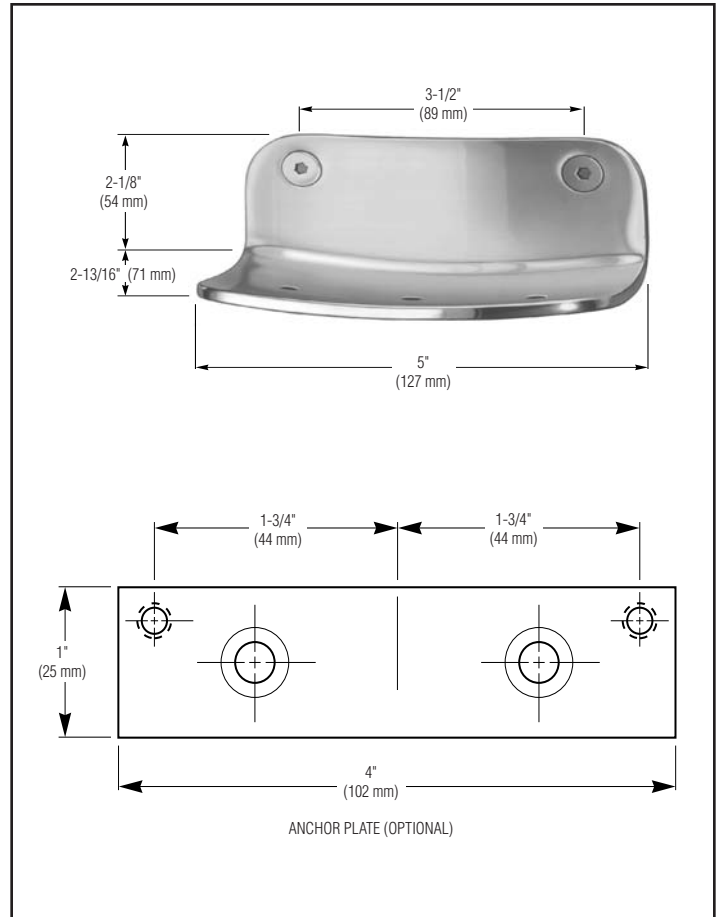
Optional Features

Feature	Suffix
<input type="checkbox"/> Cadmium-plated anchor plate	-59
<input type="checkbox"/> Zinc plated steel 1/4" x 1-1/4" flat head wood screws in lieu of machine screws	-61

Guide Specification

Extra heavy duty soap dish shall be fabricated of 7 gauge (0.1875") satin finish stainless steel and have three holes for drainage. Unit to be mounted with 1/4"-20 x 1-1/4" stainless steel flat Allen head mounting screws (included).

Overall dimensions: 5"W x 2-1/8"H x 2-3/4"D.



**Washroom Accessories
Document No. 8885**

Orders composed of products indicated as **Bradex**[®] will be available to ship in three days after receipt of order at the factory. There is no pricing penalty for this service from Bradley. This information is subject to change without formal notice.

Always consult local and national codes for proper installation guidelines. Conformity and compliance to local and national codes is the responsibility of the installer.

9-30-2008

© 2008 Bradley Corporation
P.O. Box 309, Menomonee Falls, WI 53052-0309
Phone: 800.BRADLEY (800.272.3539) Fax: 262.253.4161
bradleycorp.com