

Segments, springs, and caps

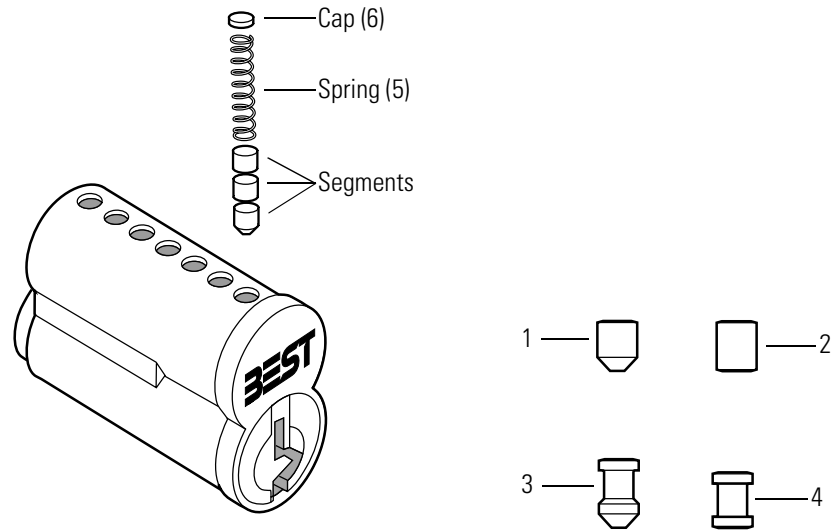


Figure 2.5 Segments, springs, and caps

Item	System	Nomenclature	Description
1	A2	A	Standard beveled (bottom) segment. Available in nickel silver or hardened stainless steel.
	A3	C	
	A4	E	
2	A2	B	Standard flat (top) segment. Available in brass or hardened stainless steel.
	A3	D	
	A4	F	
3	A2	A	Spooled beveled (bottom) segment. Available in nickel silver.
	A3	C	
	A4	E	
4	A2	B	Spooled flat (top) segment. Available in brass.
	A3	D	
	A4	F	
5		22S	Spring (500 per package)
		22S20M	Spring (20,000 per package)
6		21C	Cap (500 per package)

Note: For more information, see the *A2 System Service Manual* (T35534), the *A3 System Service Manual* (T35535), and the *A4 System Service Manual* (T35536).