

EXPLODED DIAGRAM OF A KEY COMBINATOR—RIGHT HAND

| Item [†] | Part No. | Qty. | Description |
|-------------------|----------|------|----------------------------|
| 1 | C70322 | 1 | Depth selector assembly—A2 |
| not shown | C70323 | 1 | Depth selector assembly—A3 |
| not shown | C70324 | 1 | Depth selector assembly—A4 |
| 2 | B70341 | 1 | Punch and die assembly |
| 3 | C70578 | 1 | Standard key carriage |
| not shown | C70579 | 1 | Premium key carriage |
| 4 | A70591 | 1 | Operating lever assembly |

† See [page 3-7](#) for instructions on converting between the A2, A3, and A4 Systems.

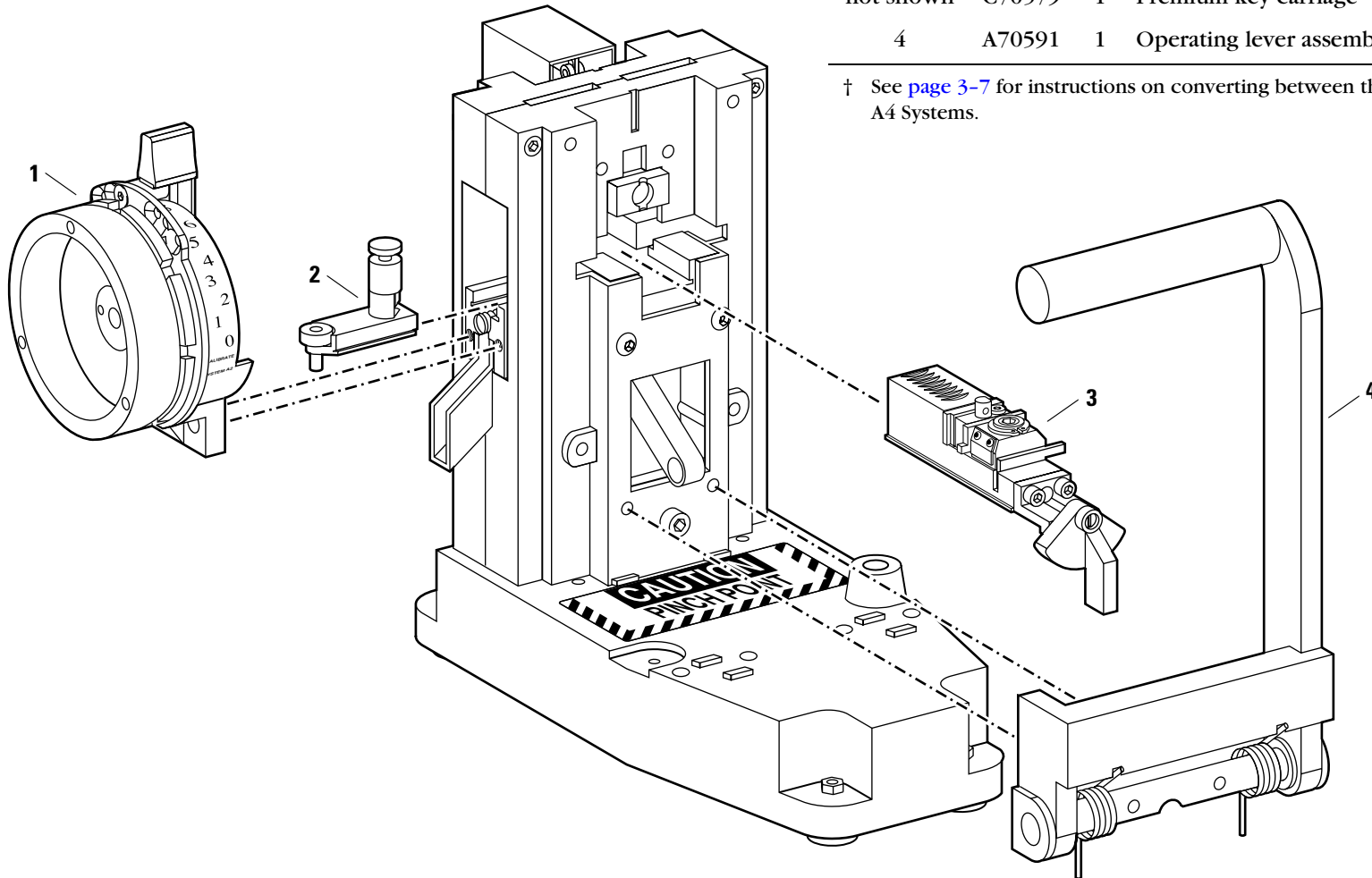


Figure 2.2 RH key combinator