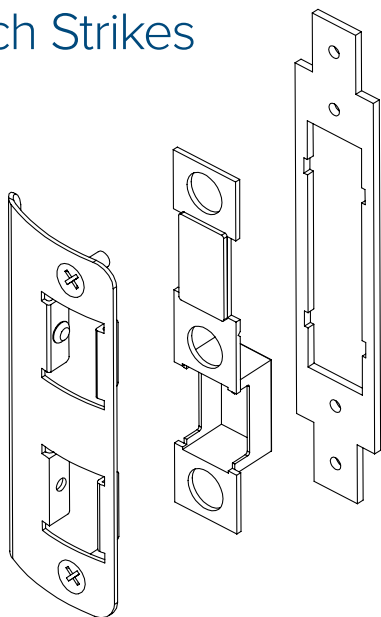
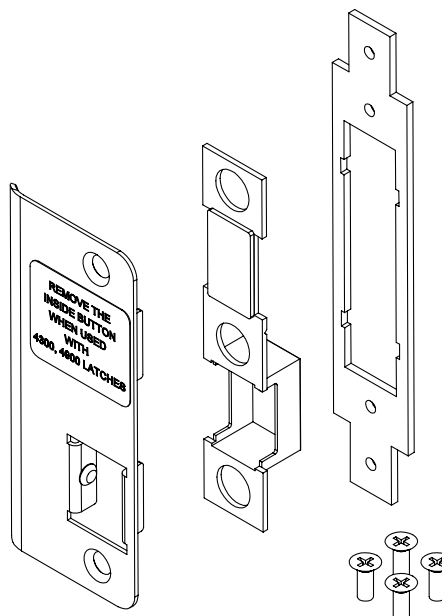


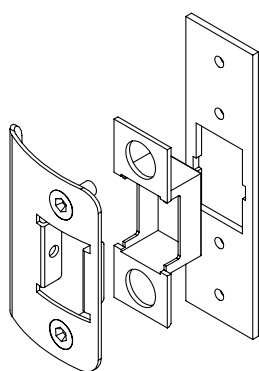
4901, 4902 Deadlatch Strikes



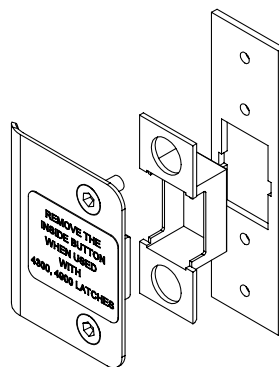
4901-02
RADIUS STRIKE



4901-01
FLAT STRIKE



4902-02
RADIUS STRIKE

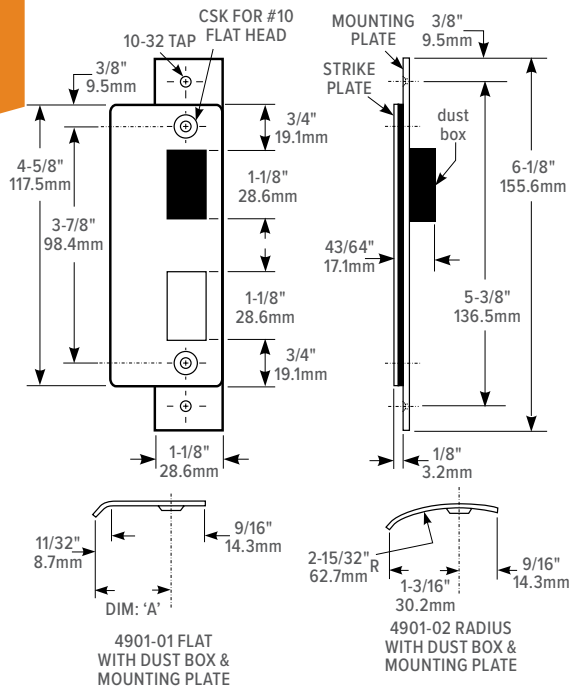


4902-01
FLAT STRIKE

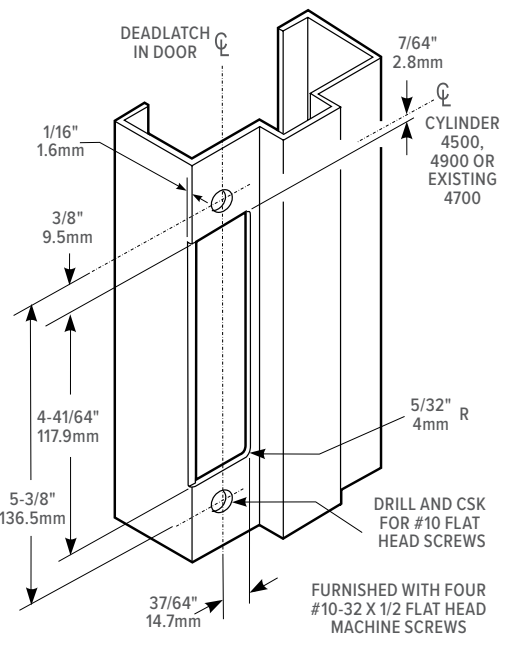
All measurements are approximate and are provided for informational purposes only. Refer to the product Installation Instructions.

Dimensions

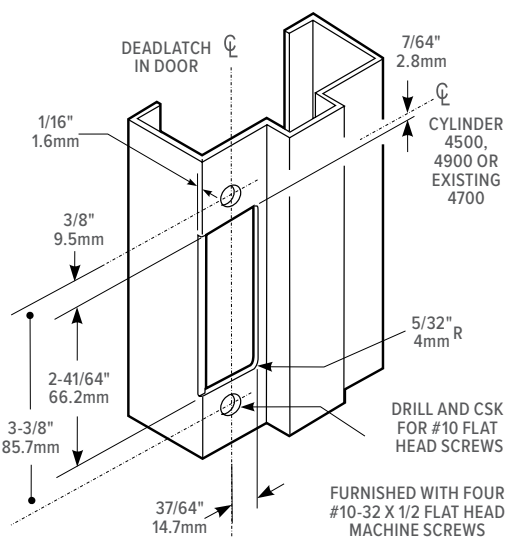
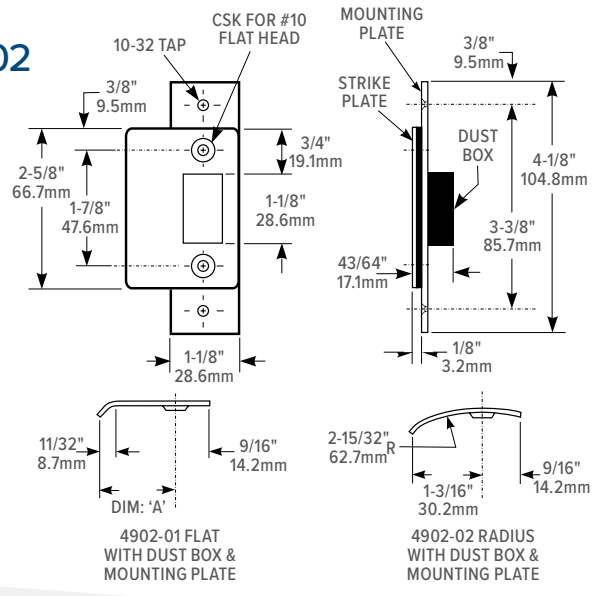
4901



Installation



4902



How to Order, Related & Compatible Products

4901, 4902 Deadlatch Strikes Specify quantity and the following information. Order related products separately.

MODEL	STRIKE TYPE	FACEPLATE SHAPE				FINISH
490	1	-02				630
		STANDARD LIP	LONG LIP FOR CENTER HUNG DOOR	DIM. 'A'	LONG LIP FOR CENTER HUNG DOOR	DIM. 'A'
	1 Long	01 Flat	03 2-1/4" Wide Jamb	1-1/8"	13 3-1/2" Wide Jamb	1-3/4"
	2 Short	02 Radius	05 2-1/2" Wide Jamb	1-1/4"	15 3-3/4" Wide Jamb	1-7/8"
			07 2-3/4" Wide Jamb	1-3/8"	17 4" Wide Jamb	2"
			09 3" Wide Jamb	1-1/2"	19 4-1/4" Wide Jamb	2-1/8"
			11 3-1/4" Wide Jamb	1-5/8"	21 4-1/2" Wide Jamb	2-1/4"
						119 To match 335 Black Anodized
						121 To match 313 Dark Bronze Anodized
						630 Satin Stainless Steel

RELATED

When purchasing this product, please consider the following related products, available separately:

OPTIONS & ACCESSORIES
Extended Lip Strikes

COMPATIBLE

DEADLATCHES	EXIT DEVICES
4300 Electrified Deadlatches, 4510, 4530, 4900, 4920AN (4506-02 only) Series Deadlatches.	8300 (4506-02), 8400 Mortise Exit Device