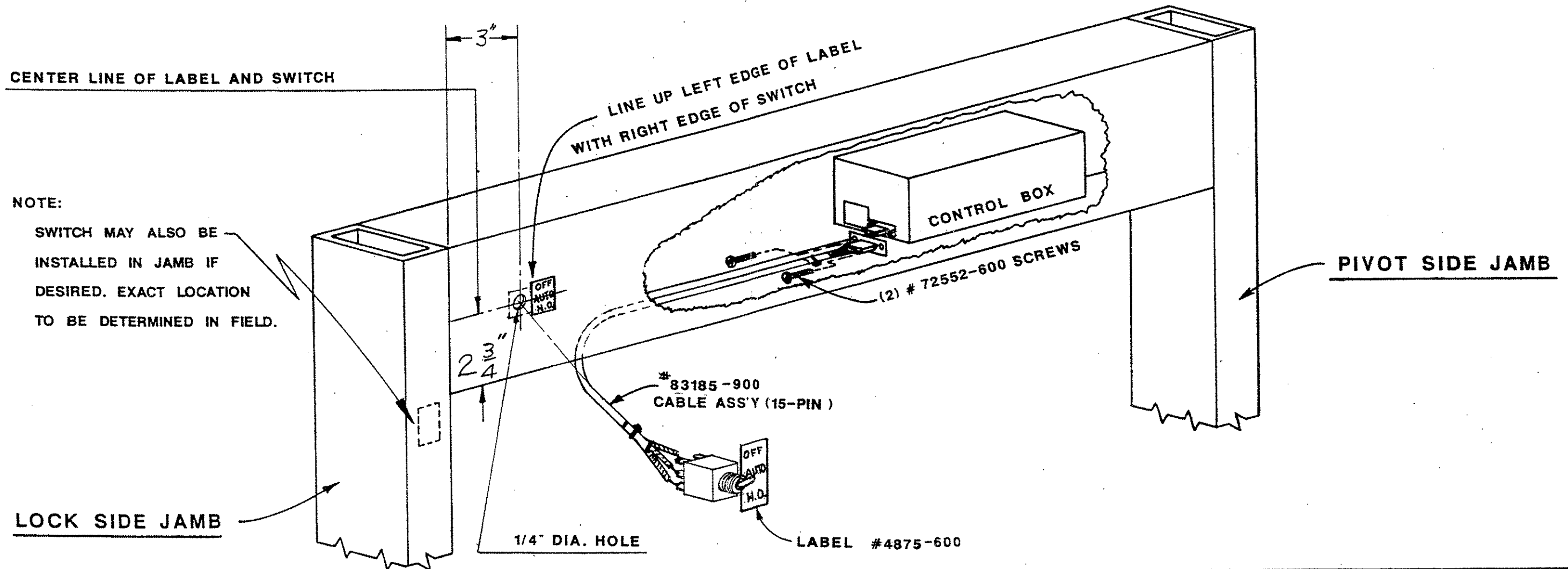


**INSTALLATION INSTRUCTIONS FOR INSTALLING
#83185-900 OFF-AUTO.-HOLD OPEN TOGGLE SWITCH
USED ON ASTRO-SWING, SENIOR-SWING AND MID-SWING**

MAY 12 1999



CENTER LINE OF LABEL AND SWITCH

NOTE:

SWITCH MAY ALSO BE
INSTALLED IN JAMB IF
DESIRED. EXACT LOCATION
TO BE DETERMINED IN FIELD.

LOCK SIDE JAMB

PIVOT SIDE JAMB

NOTE:

SWITCH CAN BE MOUNTED ON EITHER SIDE OF HEADER
AS REQUIRED BUT END OF SWITCH MUST BE IN A LOCATION
TO CLEAR ALL PARTS INSIDE OF HEADER.
(DIMENSIONS SHOWN ARE SUGGESTED DIMENSIONS ONLY)

NOTE:

SWITCH HANDLE MUST BE
DOWN FOR DOORS TO BE IN
HOLD OPEN POSITION.

DOR-O-MATIC DIVISION OF REPUBLIC IND. INC. CHICAGO, ILL. 60656	
INSTALLATION AND WIRING INSTRUCTIONS FOR #83185-900 OFF-AUTO.-H.O. SWITCH ASS'Y	
DRAWN BY-T.R.B. DATE: 5-1-92	REV. A
DRAWING NO. 83185-084	