

MASTER SENTRY

SEMI-FLUSH MOUNT LOUDSPEAKER SYSTEM

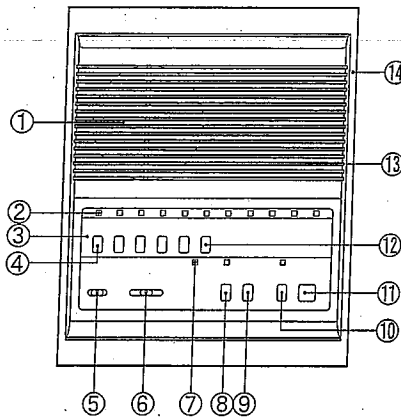
Models;	LEF-3C	(3-call master)
	LEF-5C	(5-call master)
	LEF-10C	(10-call master)

INSTRUCTIONS

The LEF-C System is a semi-flush mount loudspeaker communication system, which can accommodate a communication network of up to 11 stations. By adding the PanTilt video system, the Master Sentry is the ideal communication system for residential and commercial applications. These instructions primarily explain the LEF-C audio system, with some references to integration with the video system. For more detailed information on the other components used with the system, see the instructions for those products.

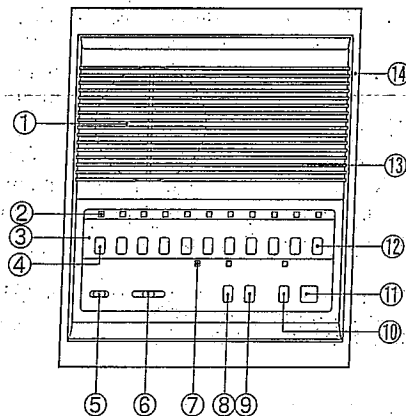
1 NAMES AND FUNCTIONS

Master Stations LEF-5C

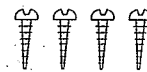


- ① Speaker
- ② Sub call-in annunciator LED
(also illuminates on master to indicate the station is being selected)
- ③ Directory card & button identification plate
- ④ Station selector button
- ⑤ Music volume control
- ⑥ Communication volume control
- ⑦ Occupied LED
- ⑧ All-call button & mode indicator
- ⑨ Door Release button *(not included on LEF-3C)*
- ⑩ Privacy button & mode indicator PRIV. CALL
- ⑪ Talk button TALK
- ⑫ OFF button OFF
- ⑬ Microphone
- ⑭ Chassis

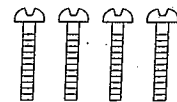
LEF-10C



Mounting Accessories;



Wood screw(4)
(for wall-mounting)

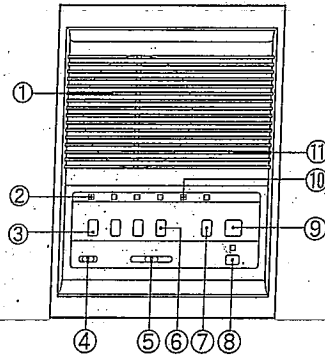


Screw(4)
(for mounting to back box)



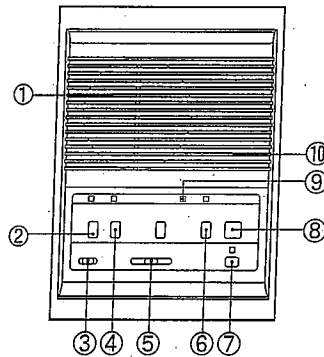
NAMES AND FUNCTIONS (continued)

Master Station LEF-3C



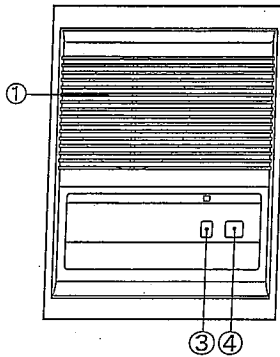
- ① Speaker
- ② Call annunciator LED
- ③ Station selector button
- ④ Music volume control
- ⑤ Voice volume control
- ⑥ OFF button
- ⑦ Privacy button & mode indicator
- ⑧ All-call button & mode indicator
- ⑨ TALK button
- ⑩ Occupied LED
- ⑪ Microphone

Sub master station LEF-1C

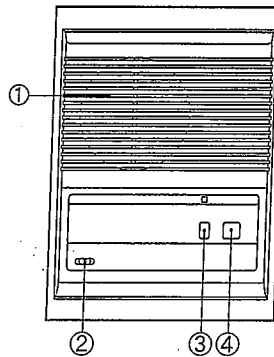


- ① Speaker
- ② Privacy button & mode indicator
- ③ Music volume control
- ④ Door release button
- ⑥ Voice volume control
- ⑦ Occupied LED
- ⑧ OFF button
- ⑨ All-call button & mode indicator
- ⑩ TALK button
- ⑪ Microphone

Indoor sub stations LE-B, LE-BN

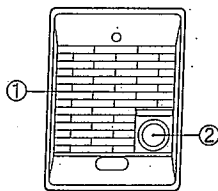


LE-C, LE-CN

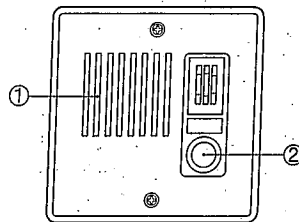


- ① Speaker/microphone
- ② Music volume control
(LE-C, CN only)
- ③ Privacy button & mode indicator
(LE-BN, CN only)
- ④ CALL button

Weather-resistant sub stations LE-D (surface, plastic)

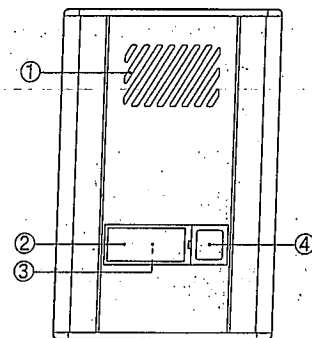


LE-DA (flush, stainless)



- ① Speaker/microphone
- ② CALL button

LE-DL (surface, anodized aluminum)



- ① Speaker/microphone
- ② Directory card
- ③ Illumination lamp
(under directory)
- ④ CALL button

2

FEATURES

1. A wide variety of system configurations. All-master, Single-master or Intermixed systems can be created.
2. 3-call, 5-call & 10-call masters intermixable.
3. All-call from any LEF-C master station (when system includes BG-10C).
4. Background music (*BG-10C All call amp. is required*).
5. PanTilt video can be incorporated.
6. LEF-1C sub master adds more versatility, *having All-call and door answering capabilities.*

3

SYSTEM COMPONENTS

Basic Audio Communication;

<p>* Master stations: <i>Max. 11 stations of all types</i></p> <p>Select a suited master station for each location to form basic audio communication network. Listed models are semi-flush mount.</p>	<p>* Models Available:</p> <p>LEF-3C: 3-call LEF-5C: 5-call LEF-10C: 10-call LEF-1C: 1-call sub master</p>
<p>* Sub stations:</p> <p>For locations requiring only calling one or a few master room stations. Privacy button and Music volume control are optional. Listed models are semi-flush mount.</p>	<p>LE-B: Standard LE-BN: Privacy LE-C: Standard w/music volume control LE-CN: Privacy w/music volume control</p>
<p>* Door stations:</p> <p>To receive calls from guests, etc., To be located at front door, rear door, or gate for entry access. Weather resistant.</p>	<p>LE-D: Surface, plastic cover LE-DA: Flush, stainless steel cover LE-DL: Surface, anodized aluminum cover</p>
<p>* Power supply:</p> <p>To supply power for audio communication network, select either power supply to suit the system.</p>	<p>PS-1225UL or PS-1225S: DC 12V, 2.5A. LEF units</p>

Optional functions; Video

<p>* For video entry security system: <i>Max. 3 doors</i></p> <p>To incorporate video for entry security, use 1- or 3-camera adaptor to connect to PanTilt video systems.</p>	<p>MYW-P1L: 1-camera adaptor MYW-P3L: 3-camera adaptor MYH-CUB: Semi-flush video monitor MK-DAC: PanTilt video door station, surface, plastic cover MK-DBC: Semi-flush-mount, plastic cover MK-DGC: Semi-flush mount, metal cover PS-1820UL or PS-1820S: Power supply for video</p>
<p>* All Call, Door Chime, and Music distribution:</p> <p>To have the All Call feature, and a chime from the door station(s), include the BG-10C (with related power supplies).</p>	<p>BG-10C: All Call & Chime Adaptor PS-1225UL or PS-1225S: Power supply for BG-10C</p>

4

INSTALLATION

(1) Mounting guidelines;

- Aiphone Corporation recommends that when installing any of its communication products, the wiring must be run at a distance of at least 2 feet (60cm) from any AC wiring, fluorescent lights, or dimmer switches.
- Aiphone Corporation is not responsible for improper installations of its products which result in interference generated by AC voltage, dimmer switches, fluorescent lighting fixtures, or other similar electrical devices. If noise is induced into the intercom system from one of these sources, it must be corrected at the source by the installing party.

LEF Audio Communication System Pre-Installation: Wiring

- ① Select the proper type of wire for the system being installed. Use the maximum number of conductors for the system. Consult the following wiring information to determine how many conductors will be required for your system, and what gauge is required.
- ② Shielded wire is recommended, but not required. It may help to minimize possible interference from outside sources. Use a multi-conductor cable with an overall shield, not twisted pairs. Run the cable in a "daisy-chained" configuration, in and out of each station in the system from beginning to end. Sub stations may be homerun to the nearest master station in the system. Door stations should be homerun to the main master station (where the BG-10C is wired into the system).

Note;

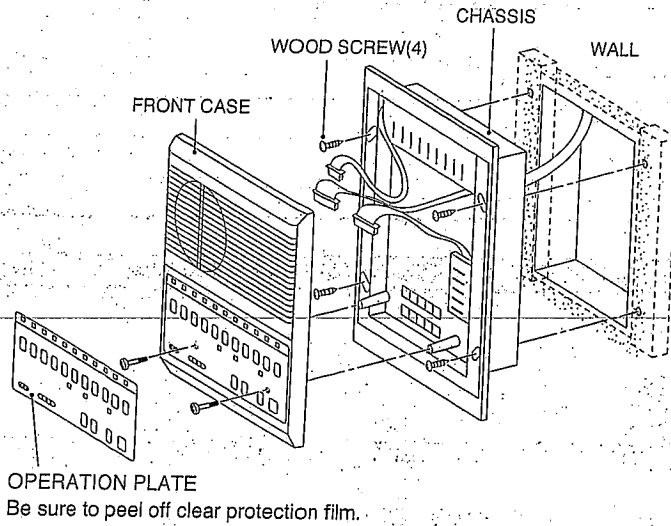
Some intercom stations require the same common wires, plus individual wires for each station on the same wire run. Assure that the cable has enough conductors for every station included. When running intercom cable, maintain a distance of at least 24" (60cm) from any AC wiring, fluorescent lighting, and dimmer switches. When crossing AC wires, do so at a 90° angle. Avoid running intercom cable in the same stud space with electrical wiring, and install the intercom station on a different portion of the wall from electrical devices.

Installation

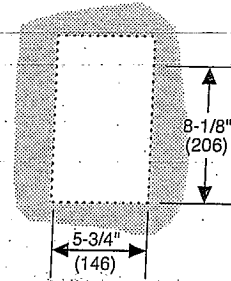
- ① Lay out your system in advance, determining which stations will be located in each room, and what their respective station number will be. Fill in this information on your wiring diagram.
- ② Cut the proper sized holes in the wall to semi-flush mount the intercom stations (C-version units only).
- ③ Separate the intercom from the back chassis by carefully removing the control panel cover and directory strip and loosening the screws. Lift up on the intercom portion before pulling it outward. Unplug the connectors, and store the intercom unit in the box until the wiring is completed.
- ④ Install the back chassis in the wall, and make wire connections as shown in the appropriate wiring diagram. Be sure to tighten screws securely onto the wires.
- ⑤ Reattach the intercom unit to the back chassis with the connectors, and place it on the back chassis from the top. Tighten the screws, and replace the directory strip and cover. Remove the plastic film over the control panel cover.
- ⑥ After all connections are made and intercom stations installed, test the operation of the system. Leave these instructions with the end-user for their reference. Fully train the end-user as to the functions and features of their intercom system. Advise the end-user on which rooms are assigned to each station number so they can fill in the directory card on each station.

(2) Mounting instructions

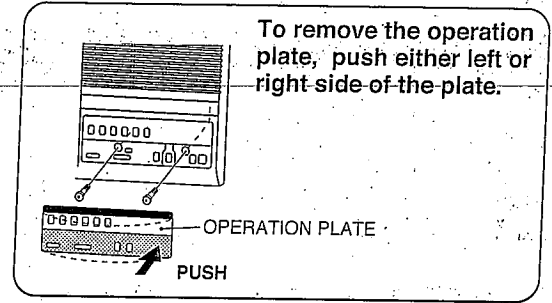
LEF-5C or LEF-10C



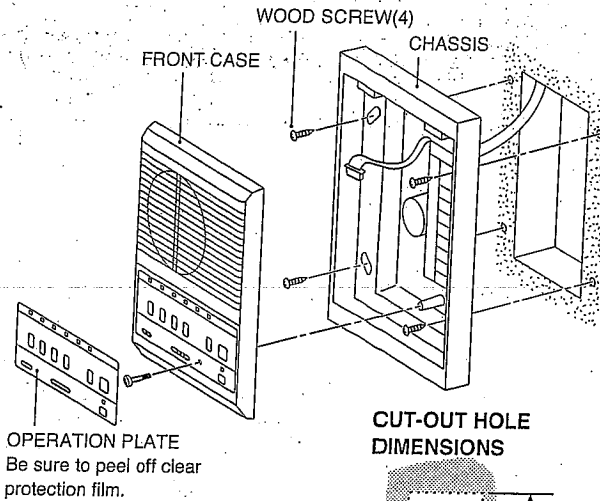
CUT-OUT HOLE DIMENSIONS



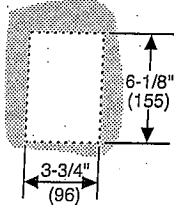
Cut out a hole in the wall;
H: 8-1/8" x W: 5-3/4" (206 x 146mm), securing a space of 1/8" (3mm) on the left and right sides.



LEF-3C or LEF-1C

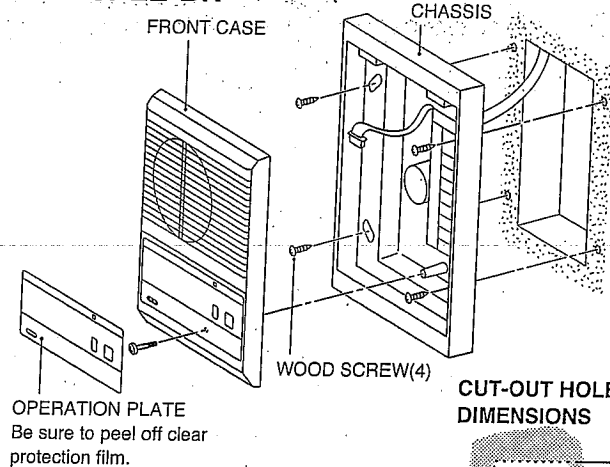


CUT-OUT HOLE DIMENSIONS

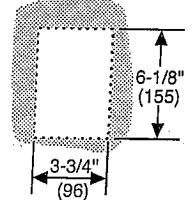


Cut out a hole in the wall;
H: 6-1/8" x W: 3-3/4"
(155 x 96mm), securing a space of 1/8" (3mm) on each left and right side.

LE-C or LE-CN, LE-B or LE-BN

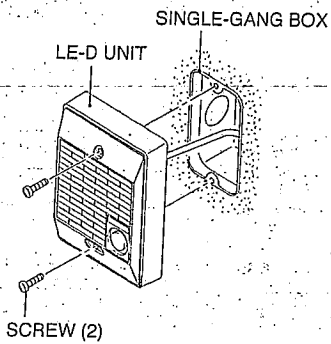


CUT-OUT HOLE DIMENSIONS

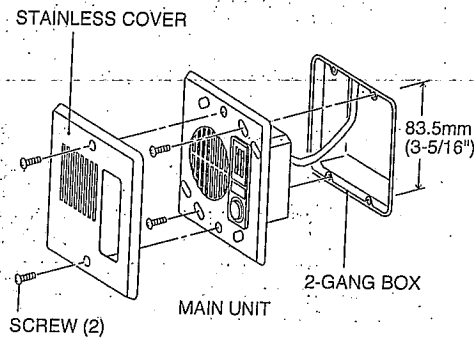


Cut out a hole in the wall;
H: 6-1/8" x W: 3-3/4"
(155 x 96mm), securing a space of 1/8" (3mm) on each left and right side.

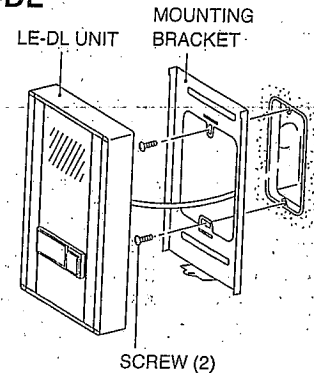
LE-D



LE-DA

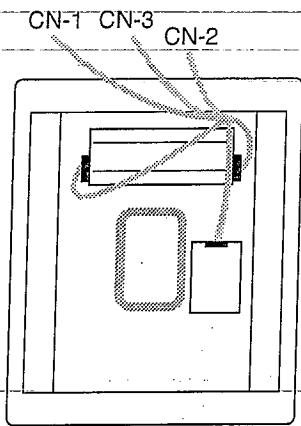


LE-DL



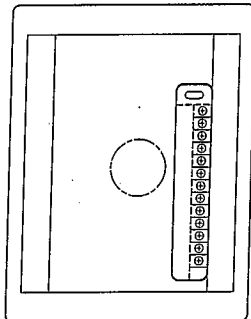
(3) Actual terminal locations;

LEF-5C
LEF-10C



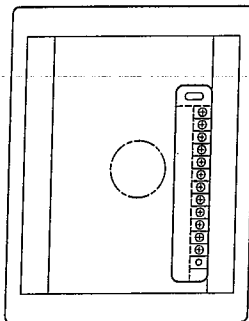
- CN1** 1 ~ 10 Station communication channels for selective calling
- E for common audio communication
- CN2** +, - for power supply
- C for receiving a call and music
- R for occupied LED
- S for connection of external music speaker (connected to S - E terminals)
- Y for controlling occupied mode when called
- L for door release (+12V DC when door release button is pressed)
- P1 for controlling all call
- P2, P3 for all call output
- CN3** K1 ~ K10 for selective door release, controlling video door station, or control of remote devices (K# becomes negative when station button is depressed)

LEF-3C



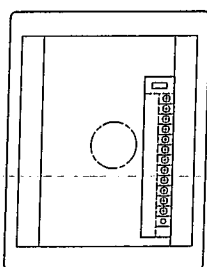
- 1 ~ 10 Station communication channels for selective calling
- E for common audio communication
- + , - for power supply
- C for receiving a call and music
- R for occupied LED
- S for connection of external music speaker (connected to S - E terminals)
- Y for controlling occupied mode when called
- L for door release (+12V DC when door release button is pressed)
- P1 for controlling all call
- P2, P3 for all call output

LEF-1C

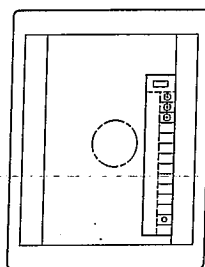


- C for receiving a call from master and music
- E for common audio communication
- DA for door station communication
- + , - for power supply
- R for occupied LED
- Y for controlling occupied mode when called
- L for door release (+12V DC when door release button is pressed)
- P1 for controlling all call
- P2, P3 for all call output
- K for video door station control

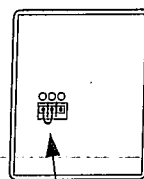
LE-C,
LE-CN



LE-B,
LE-BN

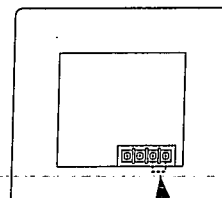


LE-D



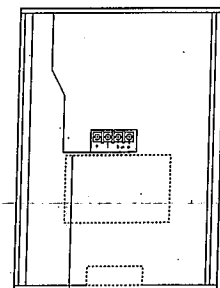
Shorting link

LE-DA



Shorting link

LE-DL



- 1 Voice communication (to # on LEF-C)
- C Receiving music, All Call, and door chime (w/BG-10C)
- S - E External speaker output
- E, R } Common wires to LEF-C network
- + , - }

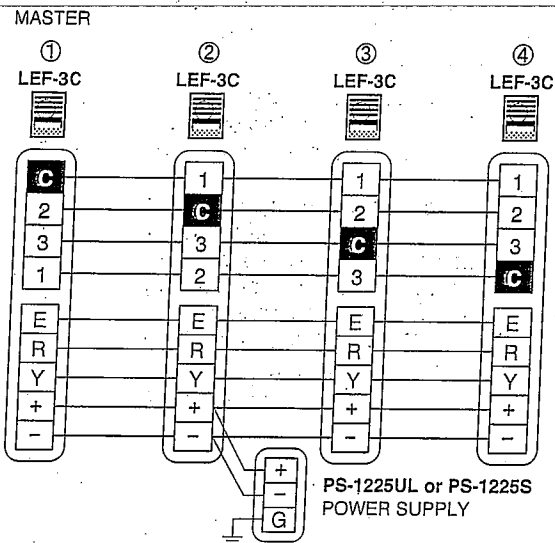
- 1 Voice communication (to # on LEF-C)
- E Common communication
- Connect to - terminal

- + , - to supply power to lamp
- 1 voice communication (to # on LEF-C)
- E Common communication

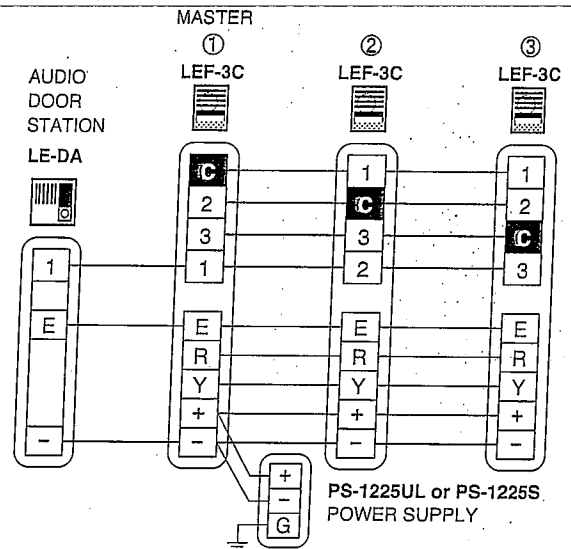
(1) LEF-3C audio communication system;

No.	SYSTEM	MASTER	DOOR (audio)	ROOM SUB
1	All-Master system	4		
2	with one door station	3	1	
3	Intermixed system	2	1	1
4	Single-Master system	1	1	2

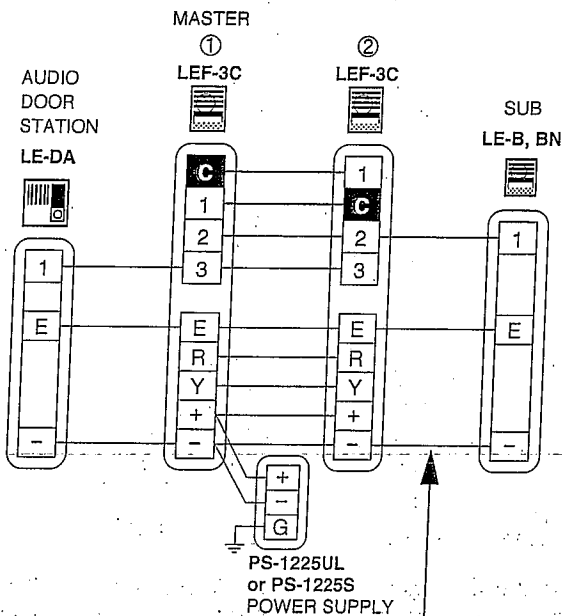
1 All-Master system



2 All-Master system w/one door station

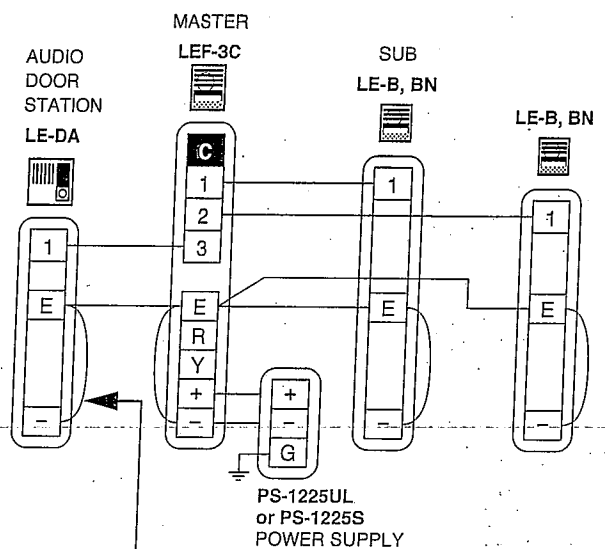


3 Intermixed System



In Intermixed System, remove the shorting link on the master stations and all sub stations.

4 Single-Master system



In single-master system, Shorting link on master and all subs MUST REMAIN ATTACHED.

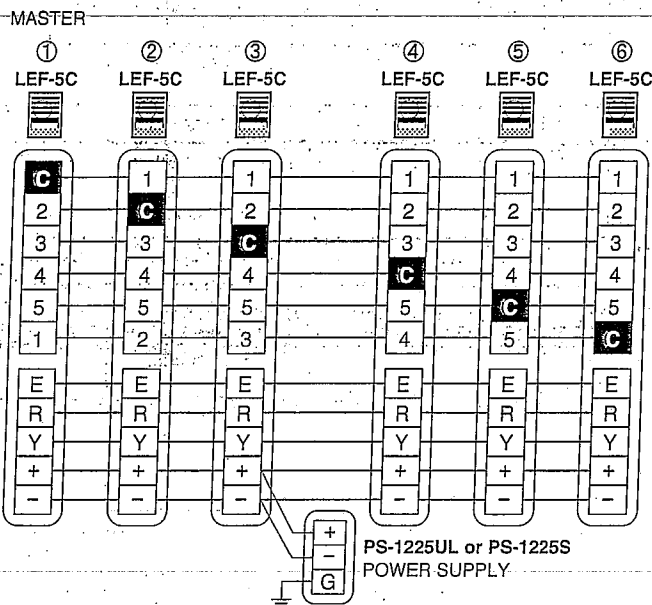
5

WIRING DIAGRAMS

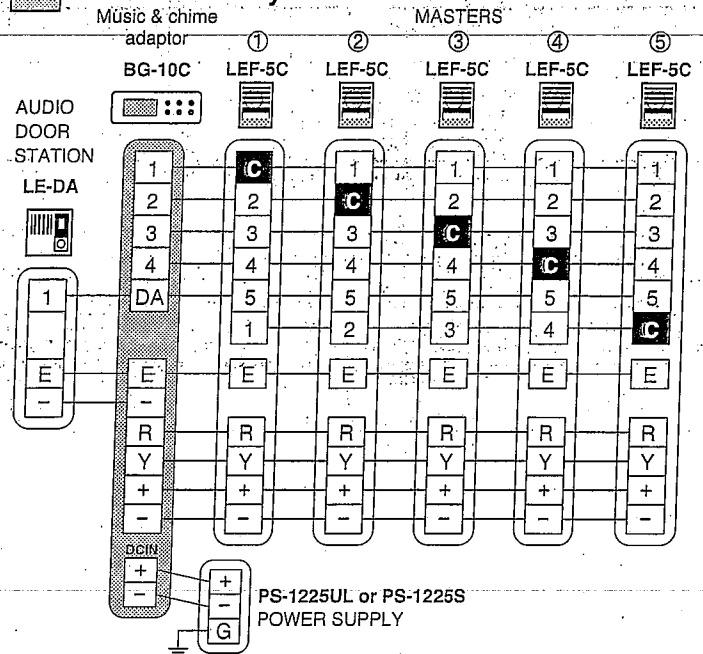
(2) LEF-5C audio communication system;

No.	SYSTEM	MASTER	DOOR (audio)	ROOM SUB
1	All-Master system	6		
2	All-Masters w/ door station	5	1	
3	Intermixed system	3	1	2
4	Single-Master system	1	1	2

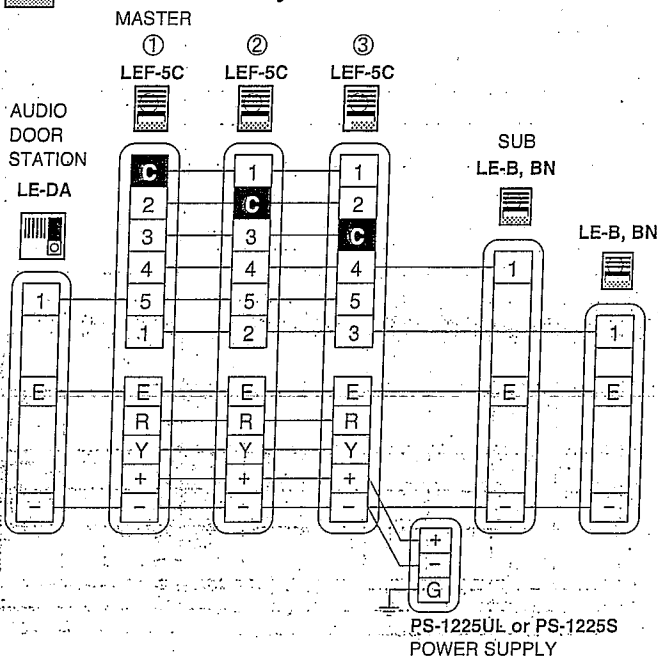
1 All-Master system



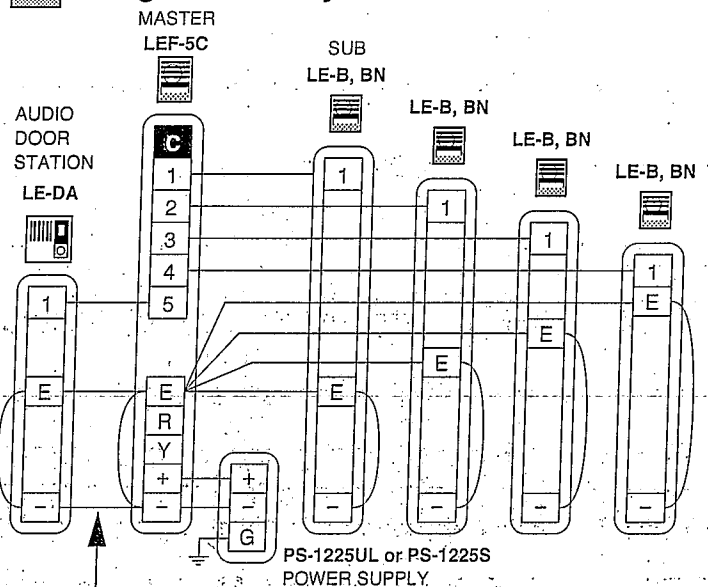
2 All-Master system w/one door station



3 Intermixed system



4 Single-Master system



In single-master system: (Home run wiring only)
Shorting link (between E & - terminals) on the master and all subs MUST REMAIN ATTACHED.

For daisy-chained wiring: Remove jumpers and run multi-conductor cable with 2 common plus 1 individual wire per station.

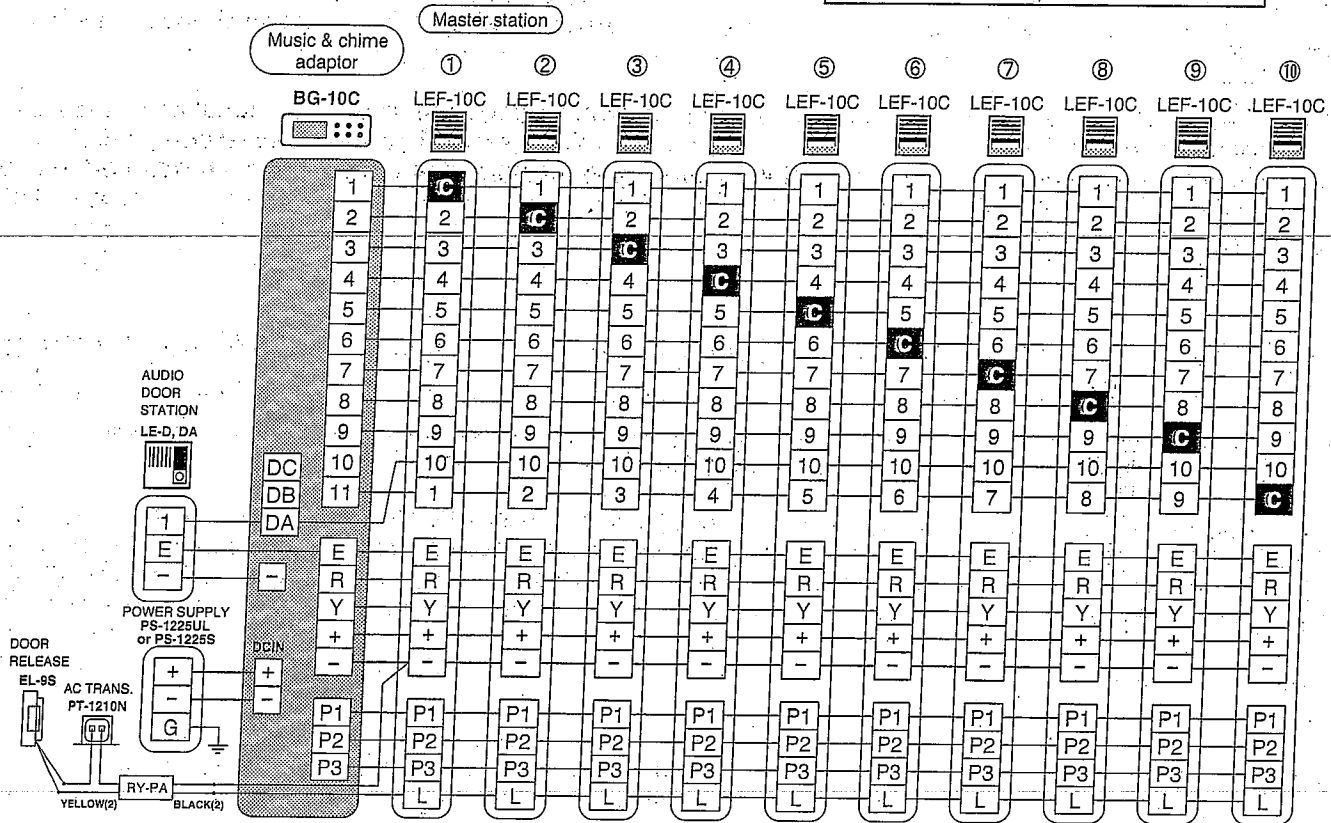
5

WIRING DIAGRAMS

(3) LEF-10C audio communication system:

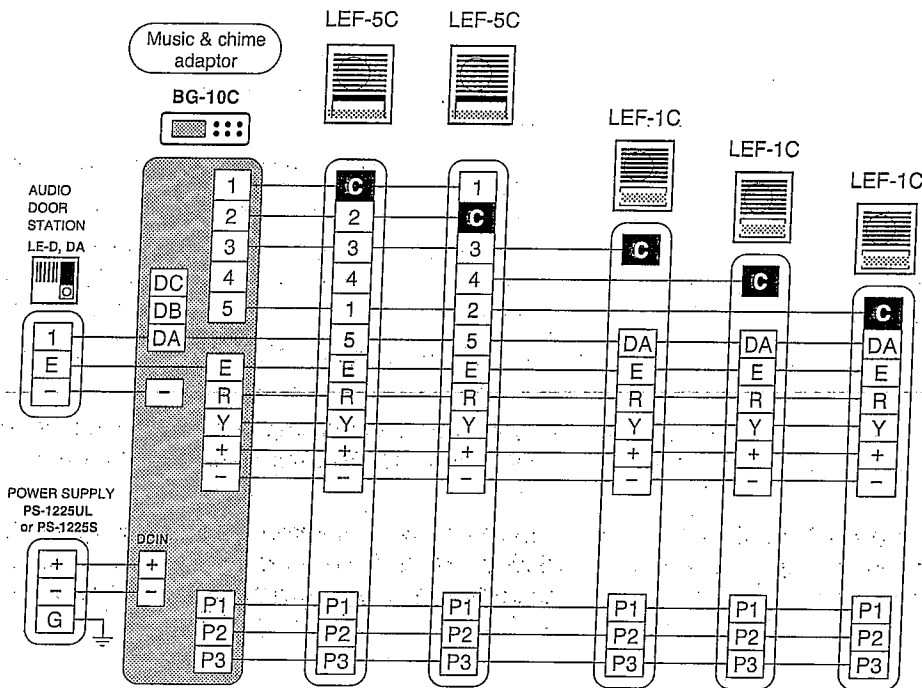
1 All-Master system with one door station

All call & chime from door



2 Dual Master w/ sub-masters

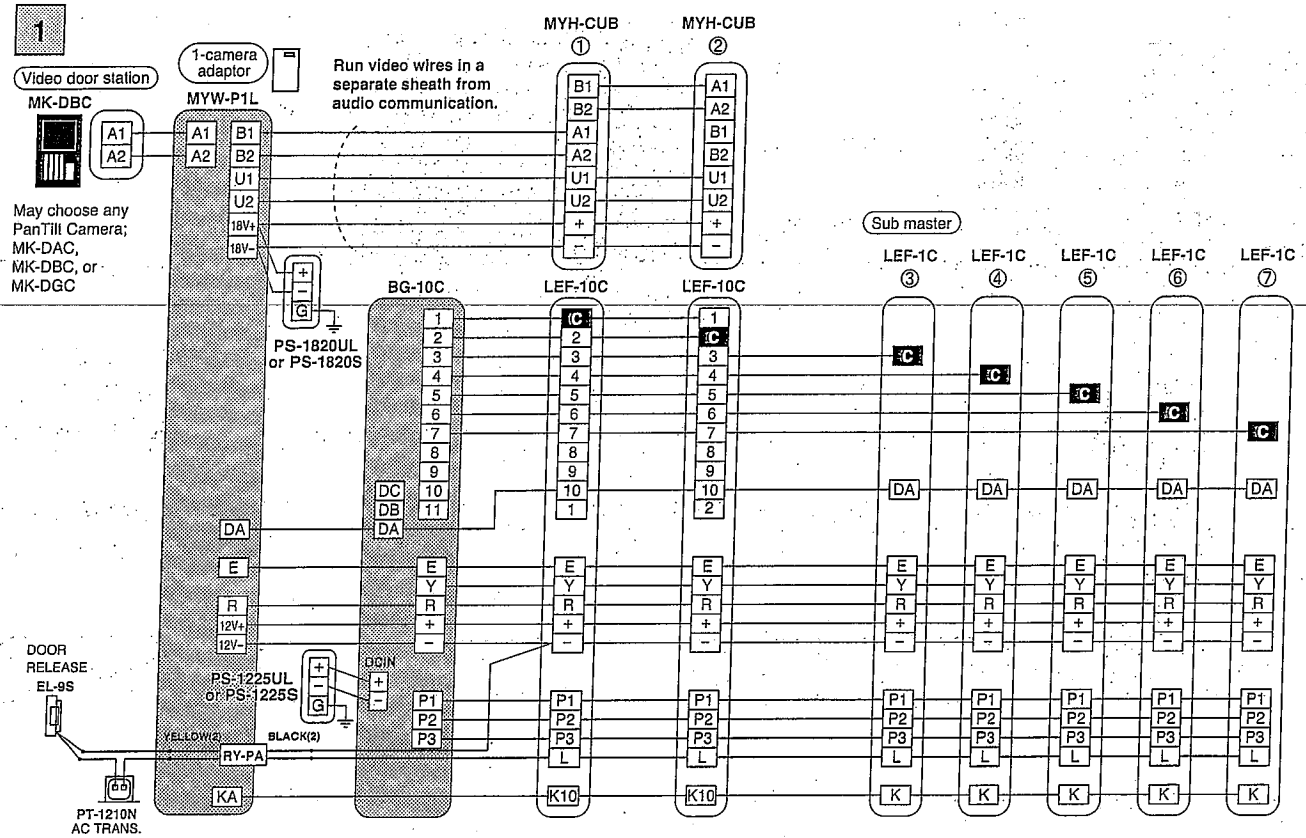
All call & chime from door



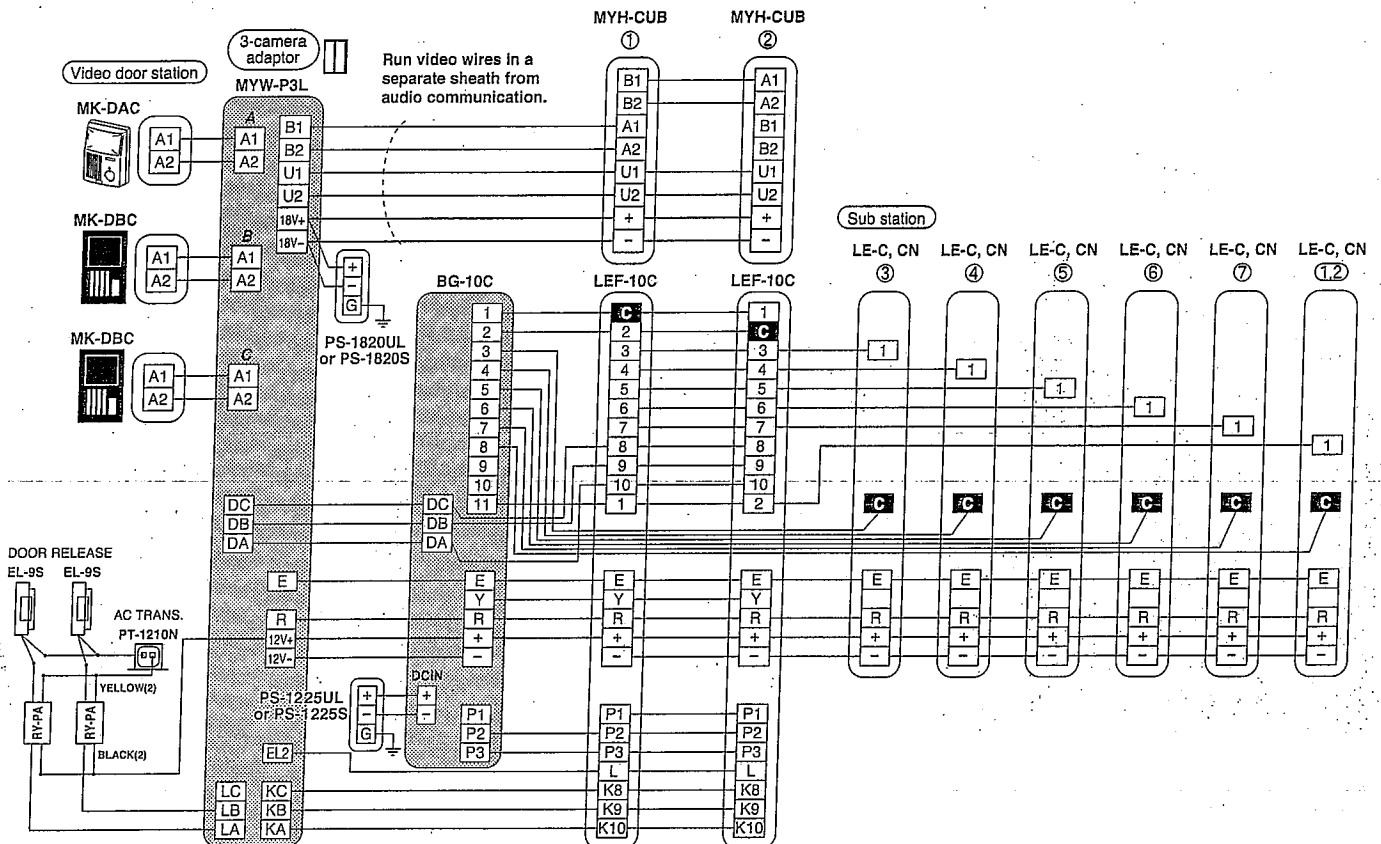
5

WIRING DIAGRAMS

(4) 1 PanTilt video door station (MYW-P1L Adaptor)

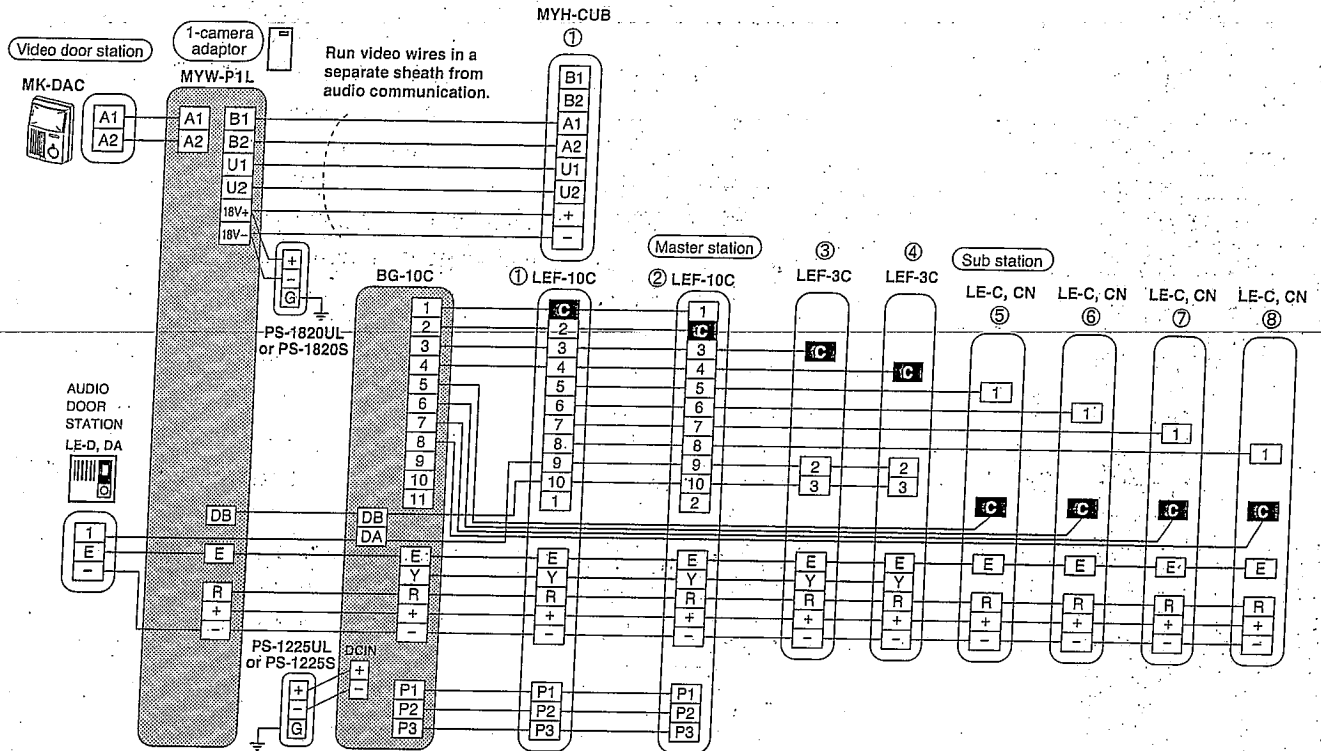


2 3 PanTilt video door stations (MYW-P3L Adaptor)



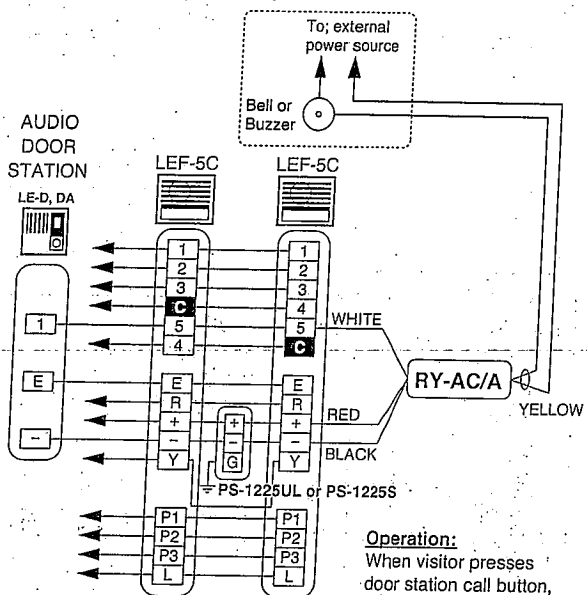
(5) Intermixed System - Audio and PanTilt Video

1



(6) RY-AC connection;

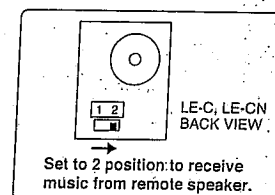
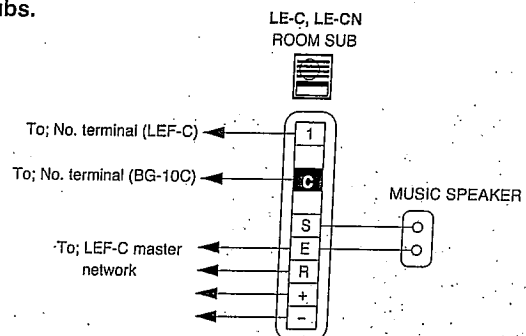
To activate a remote doorbell with the LEF-C system, use the RY-AC/A relay.



Operation:
When visitor presses door station call button, the RY-AC/A relay will activate a remote door bell, buzzer, etc...

(7) Music speaker connection;

To receive music through a remote music speaker, connect 2 wires to S and E terminals on LEF-C masters and LE-C, LE-CN subs.



When set to 2 position, music is not heard from the intercom station, but all-call announcement can be received.



SPECIFICATIONS

* Power source:	DC 12V. Use PS-1225UL or PS-1225S power supply.																				
* Current consumption:	Max. 300mA per station																				
* Power output:	Max. 800mW at 20 ohm (reception) Max. 500mW at 20 ohm (transmission)																				
* Calling:	<u>From master to master / sub:</u> by voice or electronic mono tone <u>From LEF-1C to master:</u> by all call announcement																				
* Communication:	Press-to-talk at calling master. Handsfree communication at door, sub and receiving master.																				
* Wiring:	<u>Master Stations:</u> Communication only: 5 common wires plus 1 per station in the system, looped. Comm. and All Call: 8 common wires plus 1 per station in the system, looped. Comm., All Call, Door Release: 9 common wires plus 1 per station in the system, looped. <u>Standard Sub:</u> 2 common wires plus 1 per station on the loop LE-C/CN: 4 common wires plus 2 per station on the loop Single Master System: 2 wires per sub, homerun.																				
* Wiring distance:	<i>Between two farthest master stations or master and each sub;</i> <table border="1"> <thead> <tr> <th>AWG</th> <th>24AWG</th> <th>22AWG</th> <th>20AWG</th> <th>18AWG</th> </tr> </thead> <tbody> <tr> <td>Distance</td> <td>400'</td> <td>650'</td> <td>1000'</td> <td>1600'</td> </tr> <tr> <td>Diameter</td> <td>0.5mm</td> <td>0.65mm</td> <td>0.8mm</td> <td>1.0mm</td> </tr> <tr> <td>Distance</td> <td>120m</td> <td>200m</td> <td>300m</td> <td>480m</td> </tr> </tbody> </table>	AWG	24AWG	22AWG	20AWG	18AWG	Distance	400'	650'	1000'	1600'	Diameter	0.5mm	0.65mm	0.8mm	1.0mm	Distance	120m	200m	300m	480m
AWG	24AWG	22AWG	20AWG	18AWG																	
Distance	400'	650'	1000'	1600'																	
Diameter	0.5mm	0.65mm	0.8mm	1.0mm																	
Distance	120m	200m	300m	480m																	
* Switching contact capacity for door release	AC 110V, 1A. DC 24V, 1A (selective door release or control of external devices), on output of RY-PA relay.																				
* Selector switch contact capacity: (K Terminals)	DC 12V, 1A																				
* Dimensions & weight:	<u>LEF-3C, LEF-1C:</u> 210 x 155 x 35 (mm); 8-1/4"H x 6-1/8"W x 1-3/8"D, Approx. 470g (1.04 lbs.) <u>LEF-5C, LEF-10C:</u> 240 x 200 x 35 (mm); 9-7/16"H x 7-7/8"W x 1-3/8"D LEF-5C Approx. 680g (1.50 lbs.) LEF-10C Approx. 750g (1.65 lbs.)																				

WARRANTY

Aiphone warrants its products to be free from defects of material and workmanship under normal use and service for a period of one year after delivery to the ultimate user and will repair free of charge or replace at no charge, should it become defective upon which examination shall disclose to be defective and under warranty. Aiphone reserves unto itself the sole right to make the final decision whether there is a defect in materials and/or workmanship; and whether or not the product is within the warranty. This warranty shall not apply to any Aiphone product which has been subject to misuse, neglect, accident, or to use in violation of instructions furnished, nor extended to units which have been repaired or altered outside of the factory. This warranty does not cover batteries or damage caused by batteries used in connection with the unit. This warranty covers bench repairs only, and any repairs must be made at the shop or place designated in writing by Aiphone. Aiphone will not be responsible for any costs incurred involving on site service calls. Aiphone will not provide compensation for any loss or damage incurred by the breakdown or malfunction of its products during use, or for any consequent inconvenience and losses that may result.



AIPHONE CO., LTD., NAGOYA, JAPAN
AIPHONE CORPORATION, BELLEVUE, WA, USA
AIPHONE S.A.S., LISSES-EVRY, FRANCE
Printed in Japan

MASTER SENTRY

SEMI-FLUSH MOUNT LOUDSPEAKER SYSTEM

Models;

LEF-3C

(3-call master)

LEF-5C

(5-call master)

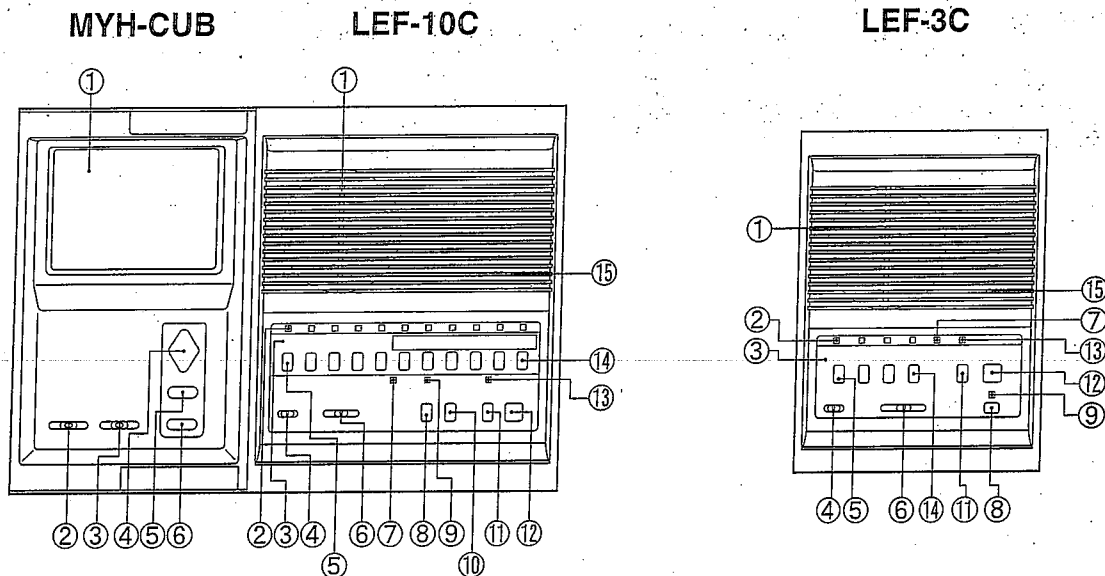
LEF-10C

(10-call master)

OPERATION MANUAL

1

NAMES AND FUNCTIONS



MYH-CUB

- ① Video monitor
- ② Screen brightness switch
- ③ Contrast switch (3-level)
- ④ PanTilt control pad
- ⑤ BACKLIGHT button
- ⑥ Video monitor button

LEF-10C, LEF-5C, LEF-3C

- ① Speaker
- ② Sub call-in annunciator LED (*also illuminates on master to indicate station selected*).
- ③ Directory card & button identification plate
- ④ Music volume control
- ⑤ Station selector button
- ⑥ Communication volume control
- ⑦ OCCUPIED LED
- ⑧ ALL CALL button ALL CALL
- ⑨ ALL CALL mode indicator LED
- ⑩ Door release button 0 (not included on LEF-3C)
- ⑪ PRIVACY button PRIV. CALL
- ⑫ TALK button TALK
- ⑬ Privacy-mode indicator LED
- ⑭ OFF button OFF
- ⑮ Microphone (ECM)

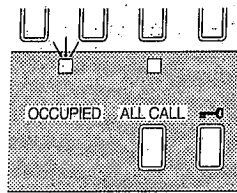
NOTE: LEF-5C appearance is the same as LEF-10C, except 5 selector buttons less.

2

OPERATIONS

1. AUDIO COMMUNICATION

BEFORE OPERATION, SEE IF OCCUPIED LED IS NOT LIT.

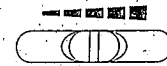


VOLUME ADJUSTMENT

BGM VOL.

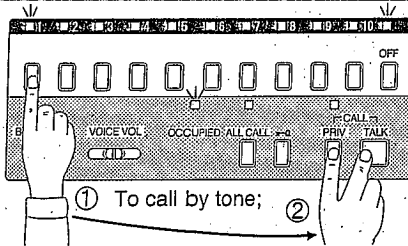


VOICE VOL.



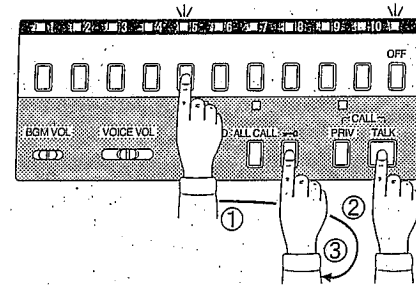
Slide the switch to the right for higher volume.
Background music volume can be cut off.

(1) Calling;



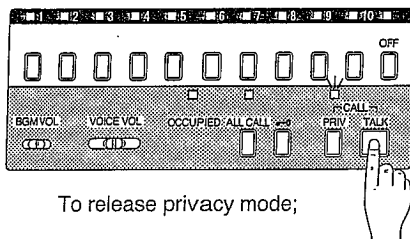
Depress a selector button of station desired.
(call annunciator LED is lit as well as selection indicator LED is lit above OFF button)
To call by tone, depress both PRIVACY and TALK buttons. Call tone sounds while two buttons are being depressed.
To call by voice, depress TALK button and speak to the microphone.
Depress TALK button to talk, and release to listen.
After communication, depress OFF button.

(4) Receiving a call from door station;



A call is announced by electronic mono tone and LED.
Depress a corresponding selector button.
Depress TALK button to talk, and release to listen.
To activate electric door release, depress and hold button.
Depress OFF button for standby.

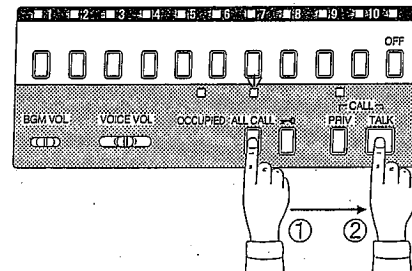
(2) Receiving a call from other master;



To release privacy mode;

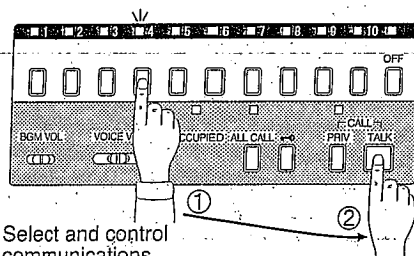
A call is announced by electronic mono tone or voice.
Just reply handsfree (or depress TALK button to release privacy mode).
After communication, depress PRIVACY button for standby.
Privacy-mode indicator LED is lit when PRIVACY button is in depressed position.

(5) All call



Depress ALL CALL button. The all call mode indicator LED is lit. Depress TALK button while making announcement.
After announcement, release ALL CALL button by depressing the button again.

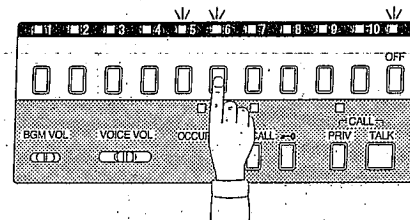
(3) Receiving a call from sub;



Select and control communications.

A call is announced by both electronic mono tone and LED.
Depress a selector button below the illuminated LED.
Depress TALK button to talk, and release to listen.
After communication, depress OFF button.
The call annunciator LED and selection indicator LED go off.

(6) Monitoring;

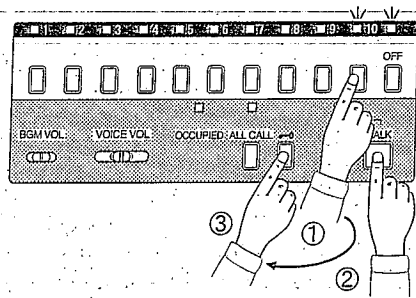


Select a station to be monitored.

Depress a selector button of station to be monitored (baby's room, etc.).
If mono tone sounds, it is a call from door or another sub station (No. 5 in the illustration).
Depress a corresponding selector button.

2. VIDEO COMMUNICATION

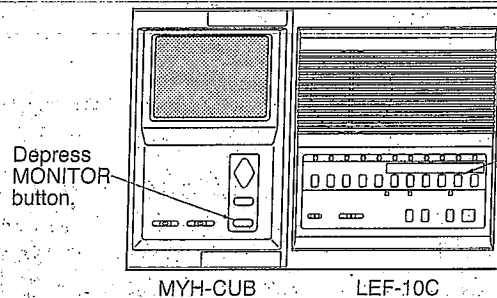
(1) Receiving a call from video door station;



Door station call-in is announced by electronic mono tone and the image of a caller appears on all video monitors. Depress a selector button below the illuminated LED. Depress TALK button to talk and release to listen.

- (1) Reply within 20 seconds after chime tone sounds. Sub call-in annunciator LED goes off in 20 seconds.
- (2) After called, the picture remains for approx. 45 seconds. If picture goes off, depress MONITOR button to have the picture for approx. 2 minutes and half.
- (3) Chime tone is available only when BG-10C is used.

(2) Video monitoring;



Depress MONITOR button.

When video door station is connected to No. 10. Upon depressing No. 10 button, you can have both audio and video.

When multiple camera adaptor is used;

Depress MONITOR button on MYH-CUB to turn on door station/camera No.1.
Depress MONITOR button again to have the picture of door station/camera No.2.
If a door station/camera No.3 is installed, depress MONITOR button third time (if not installed, picture goes off).
The fourth pressing MONITOR button turns off the picture.
The fifth pressing returns to the No.1 picture.

Notes;

- (1) The picture goes off approximately 2 minutes and half after MONITOR button is pressed. The picture which comes on after last time MONITOR button is pressed, starts from the door station/camera last monitored. If door station calls in after last monitoring, the next video monitoring starts from the door station/camera No.1.
- (2) To monitor the other door station(s); While communicating with one video door station, you can switch to the picture of the next door station, by pressing MONITOR button on MYH-CUB.
- (3) When door station calls in while monitoring, the picture is switched to that of calling door station.

3 SPECIFICATIONS

■ LEF-C;

* Power source:	DC 12V. Use PS-1225UL or PS-1225S power supply.
* Current consumption:	Maximum 300mA per station.
* Power output:	Maximum 800mW at 20 ohm (reception). Maximum 500mW at 20 ohm (transmission).
* Communication:	Push button station selection. Press-to-talk operation at calling master. Occupied LED illuminates when the system is in use.
* Calling:	From master to master/sub; by voice or electronic mono tone. From sub to master; by electronic mono tone and timed LED illumination for max. 20 seconds. Sub's call-in can be signaled by tone even during master is communicating.

+++++
+
WARRANTY
+

Aiphone warrants its products to be free from defects of material and workmanship under normal use and service for a period of one year after delivery to the ultimate user and will repair free of charge or replace at no charge, should it become defective upon which examination shall disclose to be defective and under warranty. Aiphone reserves unto itself the sole right to make the final decision whether there is a defect in materials and/or workmanship; and whether or not the product is within the warranty. This warranty shall not apply to any Aiphone product which has been subject to misuse, neglect, accident, or to use in violation of instructions furnished, nor extended to units which have been repaired or altered outside of the factory. This warranty does not cover batteries or damage caused by batteries used in connection with the unit. This warranty covers bench repairs only, and any repairs must be made at the shop or place designated in writing by Aiphone. Aiphone will not be responsible for any costs incurred involving on site service calls. Aiphone will not provide compensation for any loss or damage incurred by the breakdown or malfunction of its products during use, or for any consequent inconvenience and losses that may result.



Providing Peace of Mind

<http://www.aiphone.com/>

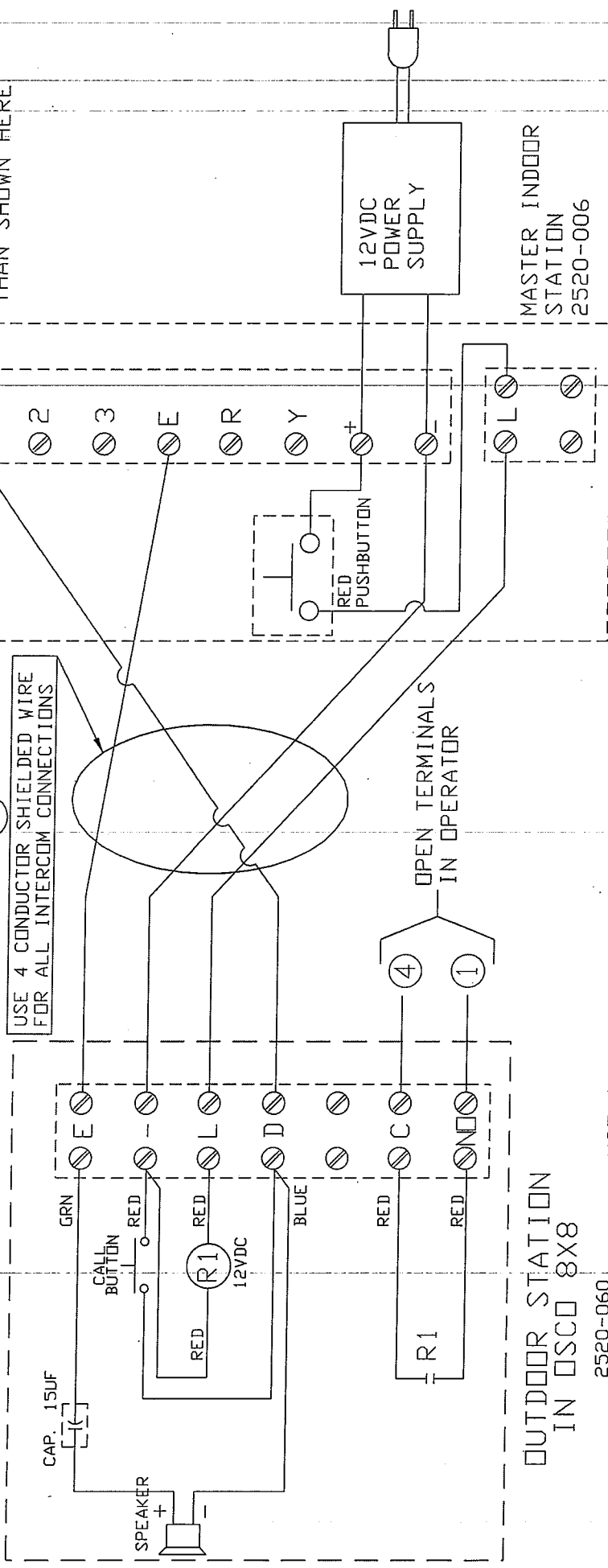
AIPHONE CO., LTD., NAGOYA, JAPAN
AIPHONE CORPORATION, BELLEVUE, WA, USA
AIPHONE S.A.S., LISSES-EVRY, FRANCE
Printed in Japan

PARTS LIST (INDOOR MASTER INTERCOM)

ITEM#	QTY	DESCRIPTION	PART #
1	1	MASTER INTERCOM	2500-248
2	1	INTERCOM ENCLOSURE	2100-1440
3	1	TERMINAL STRIP 2-141	2500-1032
4	1	PUSHBUTTON MINI MOMENTARY	2500-1448
5	1	POWER SUPPLY 12VDC	2500-249

REV A CHANGED WIRE SPEC KR 11/11/07

NOTE: TERMINALS IN MASTER INTERCOM MAY BE IN DIFFERENT ORDER THAN SHOWN HERE



USE 14 GAUGE WIRE FOR OPERATOR CONNECTION

UNLESS OTHERWISE SPECIFIED DIMENSIONS ARE IN INCHES TOLERANCES: FRACTIONS ± 1/32 ANGLES ± 1° 2 PLACE DECIMALS ± .015 3 PLACE DECIMALS ± .005		CUSTOMER	
DATE: 11/6/00		PROJECT	
BY: PR	DATE: 11/6/00	FORMER DWG. NO.	DWG. NO.
PREPARED: PR	CHECKED: B	SCALE	SHEET
APPROVED:	REV:	2700-359	OF

OPERATOR SPECIALTY CO., INC
CASIMIROVIA, MI 49318
1-800-333-1717 / 616-675-5050

CONNECTIONS FOR TYPICAL INTERCOM, 1 MASTER, 1 SUB

PARTS LIST (OUTDOOR INTERCOM SUBSTATION)

ITEM#	QTY	DESCRIPTION	PART #
5	1	CAPACITOR, 16 VDC 15 UF	2500-206
4	1	RELAY 12 VOLT DC	2500-250
3	1	INTERCOM CALL BUTTON	2500-190
2	1	SPEAKER, 5 WATT, 8 OHMS	2500-208
1	1	TERMINAL STRIP 7-141	2500-126