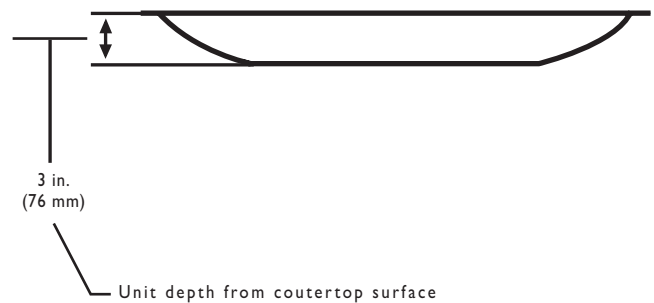
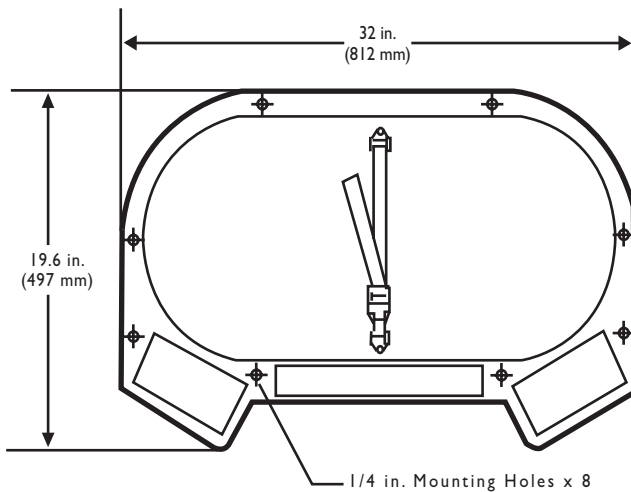




6982 S Quentin St  
 Centennial, CO 80112  
 Toll free: 1-888-733-3456  
 Main 303-539-8300  
 Fax: 303-539-8399  
 www.koalabear.com

# COUNTERTOP RECESS MOUNT BABY CHANGING STATION

# KB112-01RE



**ADA Compliance**  
 (when properly installed)  
 4.4.1 Max. Protruding Objects  
 4.2.5 Forward Reach  
 4.2.6 Side Reach  
 4.27.4 Operation

Continued...

**MATERIALS:**

FDA approved thermoformed high-density polyethylene. Mounting instructions and hardware included. Graphics and safety messages in six languages. Contoured changing surface area is 379.04 sq in (244,541.45 mm) and comes complete with nylon safety straps.

**OPERATION:**

For use in restrooms where counter space is more abundant than wall space. High-density polyethylene has no sharp corners, is easy to clean and resists odors and bacterial growth.

**Warning:** *To insure that the unit supports the intended loads, baby changing stations must be properly installed according to the manufacturer's instructions*

**INSTALLATION:**

To insure proper installation and compliance with building codes, it is recommended that a qualified person or carpenter perform the installation of the unit.

***Drilling holes and mounting the station:***

1. Remove the station from the shipping container and check for any freight damage. Remove the counter cutout template. Identify the best location for installing the baby changing station.
2. Position the front edge of the template approximately 3" (76 mm) from the edge of the counter. Trace the cutout template shape onto the counter top. Cut out the oval opening in the counter top.
3. Place the changing station into the cutout hole, mark the screw hole locations, and drill ten 1/4" (6.5 mm) diameter by 3/4" (19 mm) deep holes.
4. Install a 2" x 4" wooden beam support 3" (76 mm) beneath the counter top surface, centered.
5. Apply a suitable water sealant, such as silicone, around the bottom edge of the changing station, then set unit into recess in countertop. Fasten unit to counter top with supplied screws.

**Caution:**

Drill carefully through ceramic tile and other hard counter top materials.

**SPECIFICATION:**

Baby changing station shall be durable, high impact polyethylene body. Design of unit shall be counter recessed mounted. Bed shall have smooth concave changing area with a nylon safety strap and universal instruction graphics. The unit shall be backed by a 5-year manufacturers limited warranty. Unit shall be manufactured in the U.S.A.

**Baby Changing Station shall be model KB112-01RE of Koala Kare Products, A Division of Bobrick  
6982 S Quentin St Centennial, CO 80112 USA, Tel: 1-888-733-3456 or 303-539-8300, Web: [www.koalabear.com](http://www.koalabear.com).**