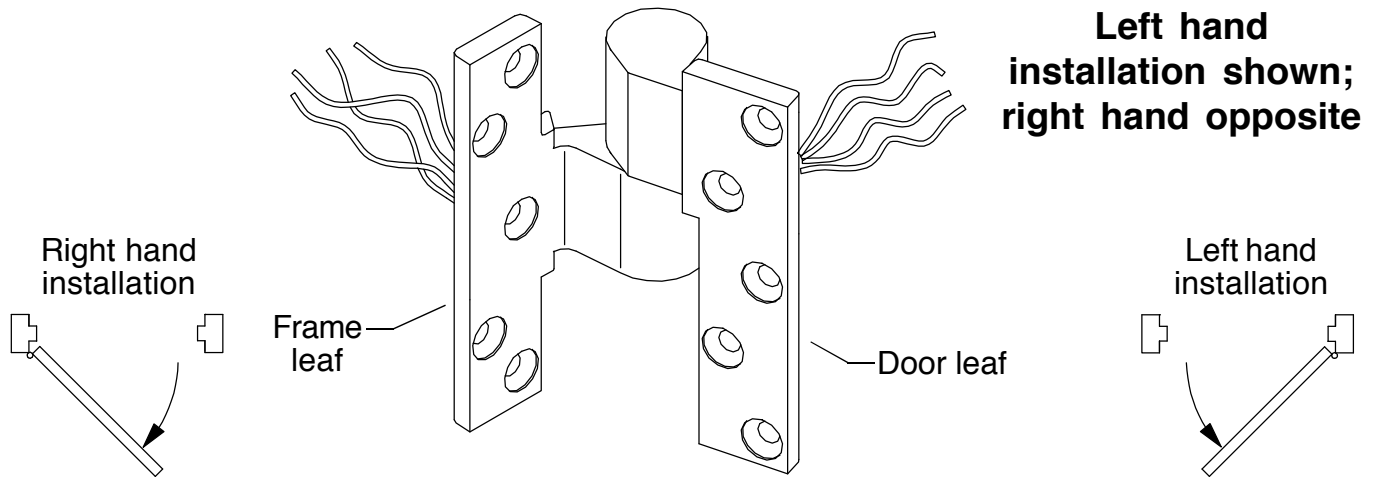




# Installation Instructions

## 7215PT, 7226PT, and 7227PT 3/4" Offset Intermediate Power Transfer Pivot



1. Prepare and mortise hinge stile of door and hinge side jamb to receive pivot set. Determine pivot location using dimensions reverse side. The pivots are handed and must match hand of door. To determine hand of door and proper pivot position, see diagrams above. Install top and bottom pivot sets before installing intermediate pivot set.
2. Locate, drill, and tap 1/4-20 mounting holes for metal door or metal frame. Locate and drill pilot holes for #14 wood screws for wood door or wood frame. Drill and deburr 1/2" dia. wiring access holes. Be sure door is installed on top and bottom pivots and swings freely before proceeding.
3. Do not separate pivot leaves. Pivot must be installed assembled. Disassembling pivot leaves will void the warranty.
4. Open door about 90°. Check to make sure that pivot fits freely into door and frame preps. To avoid serious damage and/or shortened life, do not force pivot into prep.
5. Attach wires per project wiring diagrams. Make wire connections with appropriate crimp splices or wire nuts. Staggering the terminations for easier insertion of wires through the access hole in frame. Insulate ends of all unused wires. After all connections are completed, carefully fit wires through access hole in frame, making sure that wires will not be cut or pinched.
6. Install pivot leaves to door and frame with 1/4-20 x 3/4" FHMS or #14 FHWS screws provided.



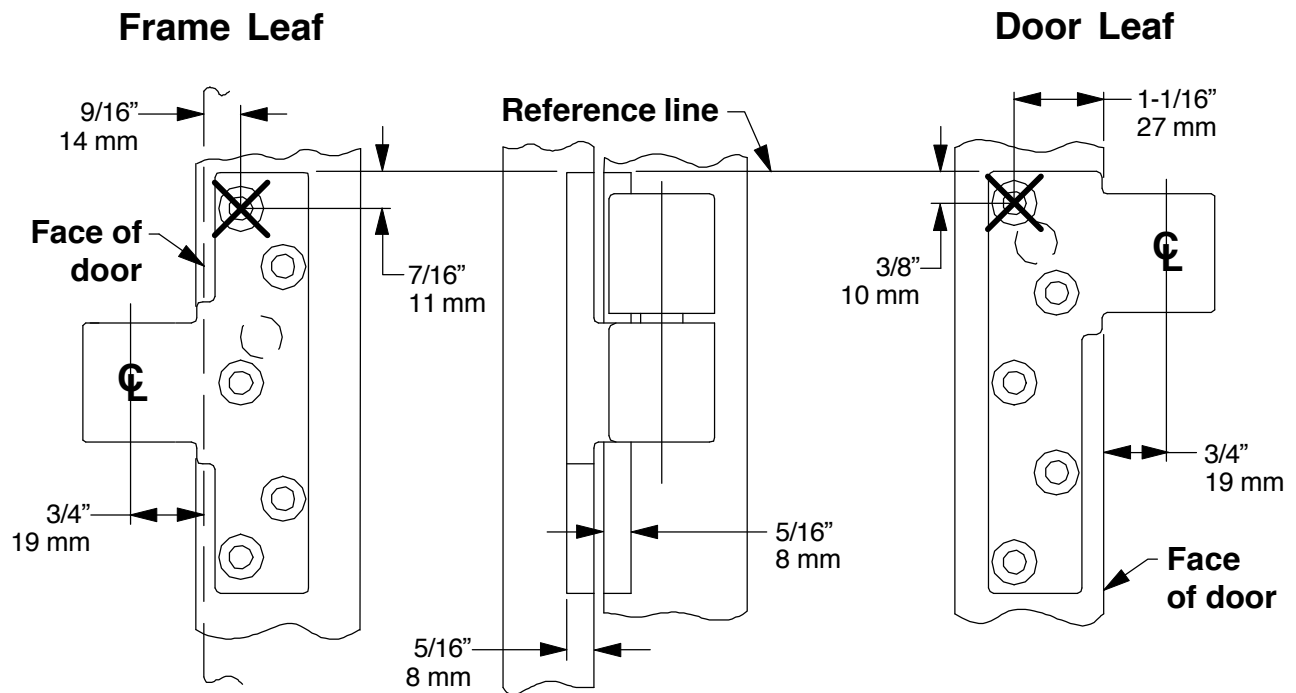
### CAUTION

Improper pivot set installation can lead to personal injury or property damage. Follow all instructions carefully. For questions contact Technical Support at 1-888-371-7331.



## NOTE

It is very important for installer to verify that intermediate pivot point lines up with center line of top and bottom pivot points before final installation. Both door and frame pivot leaves located from face of door. Intermediate pivot should be evenly spaced between top and bottom pivots. Heel edge of door must be beveled  $1/8"$  in  $2"$ .



**Right hand installation shown;  
left hand opposite**



**27070-00**

27070 Rev. 3