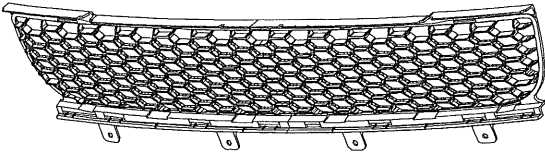


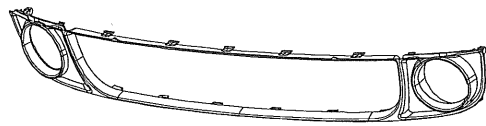


FIAT LOUNGE GRILLE

A



B



FRONT



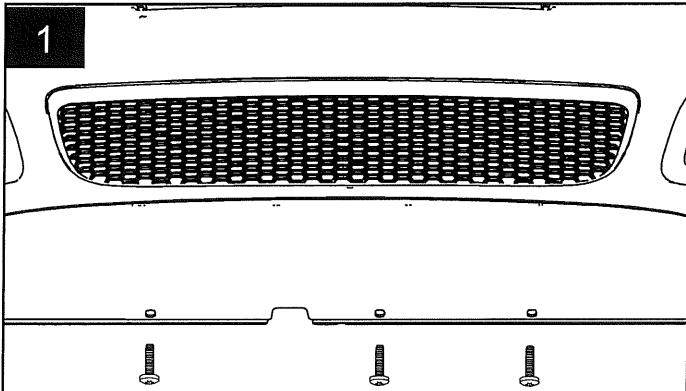
10mm



T30

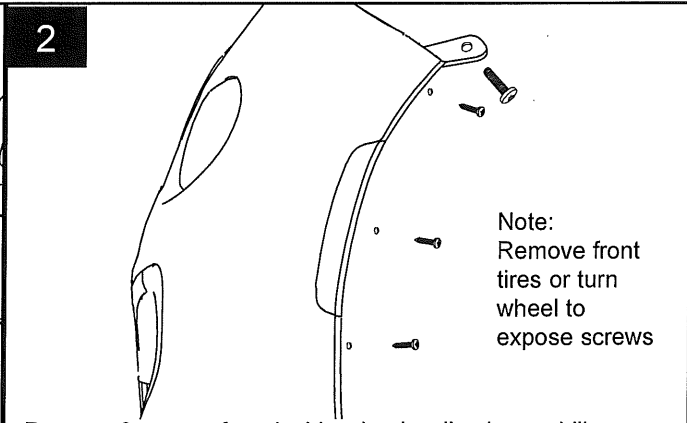


1



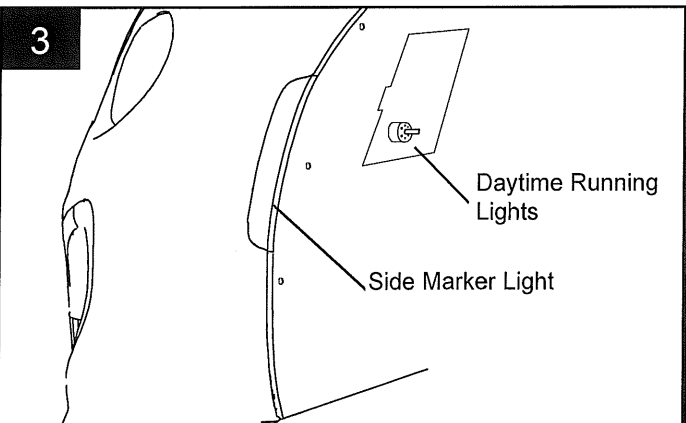
Remove 3 bolts from underside of front Fascia using T30 Torx bit. Save bolts for re-installation.

2



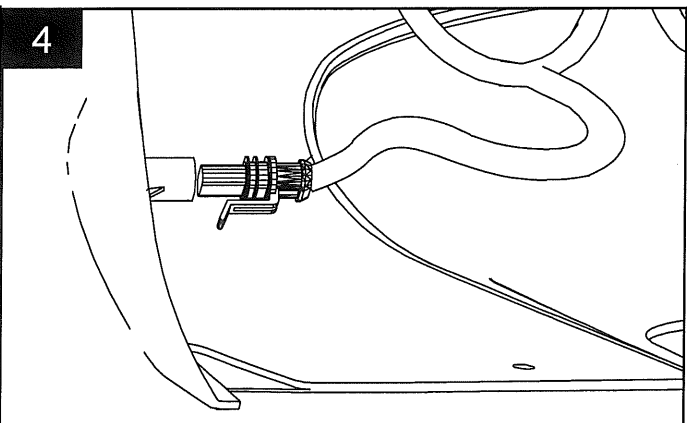
Remove 3 screws from inside wheel well using a philips head screw driver. Remove bolt using T30 Torx bit under front corner of fender to fascia. Repeat for both sides. Save fasteners for re-installation.

3



Disconnect Daytime running light wire harness. Disconnect side marker light wire harness. Repeat for opposite side.

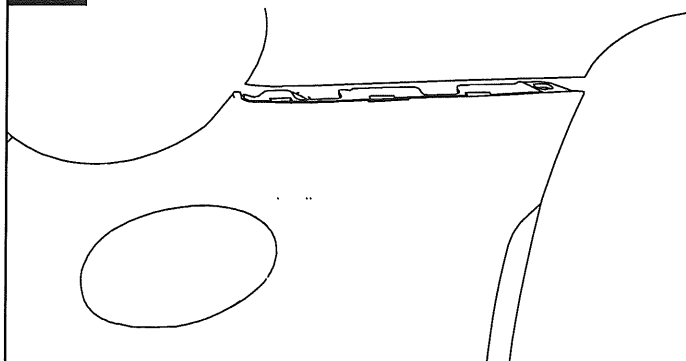
4



Disconnect fog light wire harness at drivers side of radiator support.

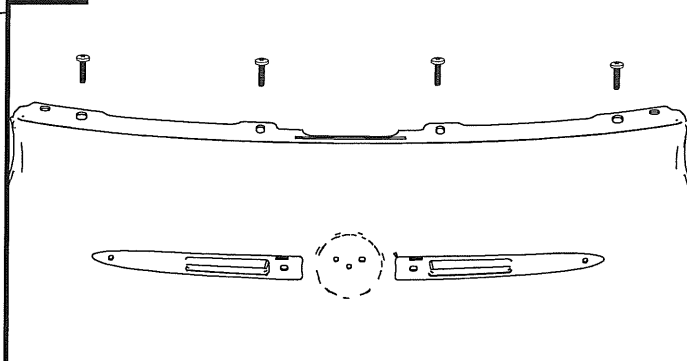


5



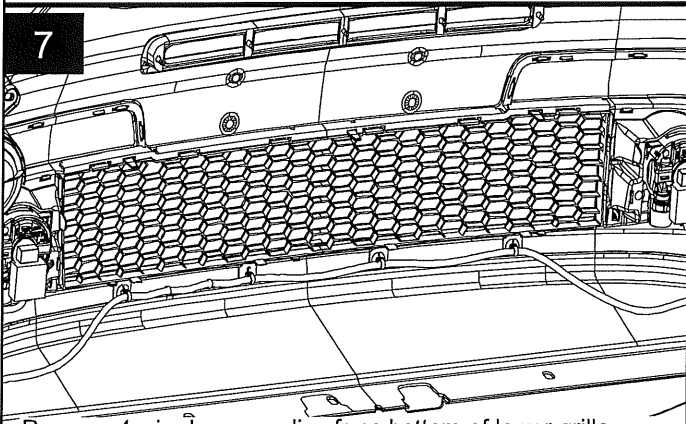
Gently pull top corner of the front fascia to dis-engage clips. Repeat for opposite side.

6



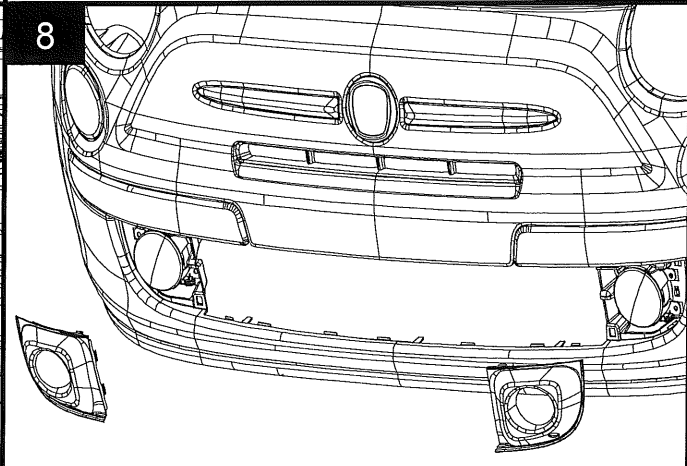
Remove bolts at top of fascia using a T30 Torx bit. Completely remove front fascia from vehicle. Save bolts for re-installation.

7



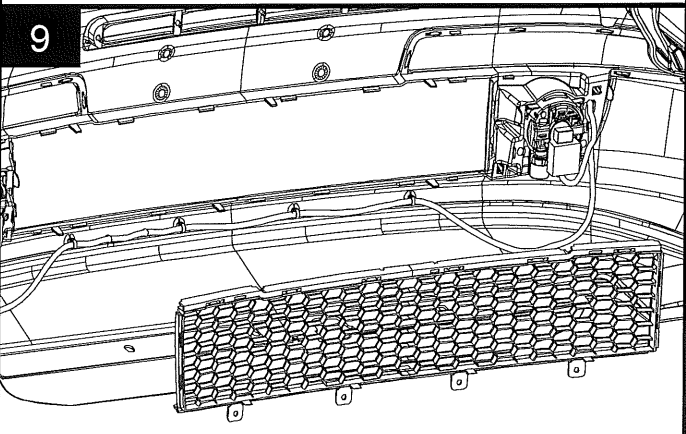
Remove 4 wire harness clips from bottom of lower grille. Remove lower grille from opening. A pry tool may be required for this step.

8



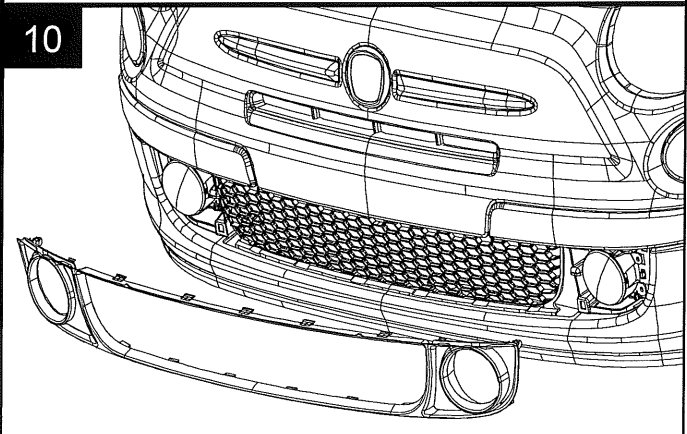
Remove fog light surround. A pry tool may be required also

9



Install supplied lower grille (Item A) to fascia. Ensure all clips are fully engaged by applying pressure at each clip location.

10



Install supplied grille surround (Item B). Ensure all clips are fully engaged by applying pressure at each clip location.

Re-install fascia repeating step 1-6 in reverse order.