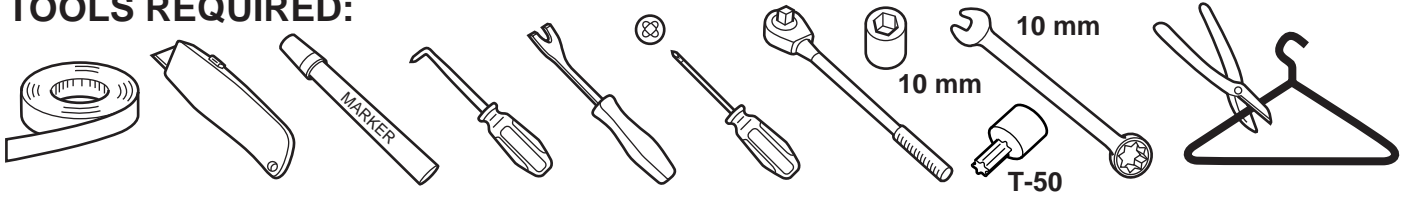




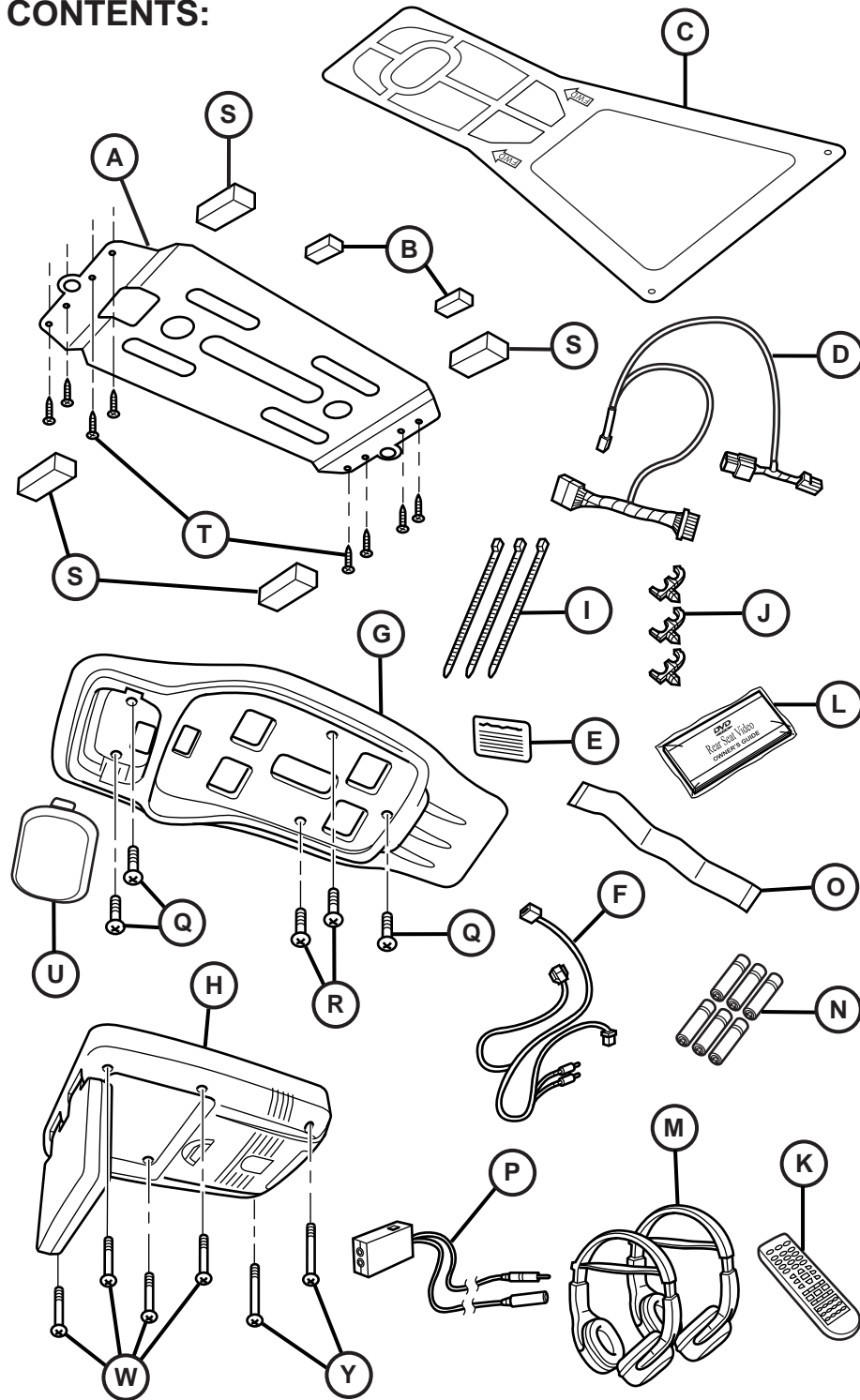
MOPAR®

DODGE CALIBER DVD System

TOOLS REQUIRED:

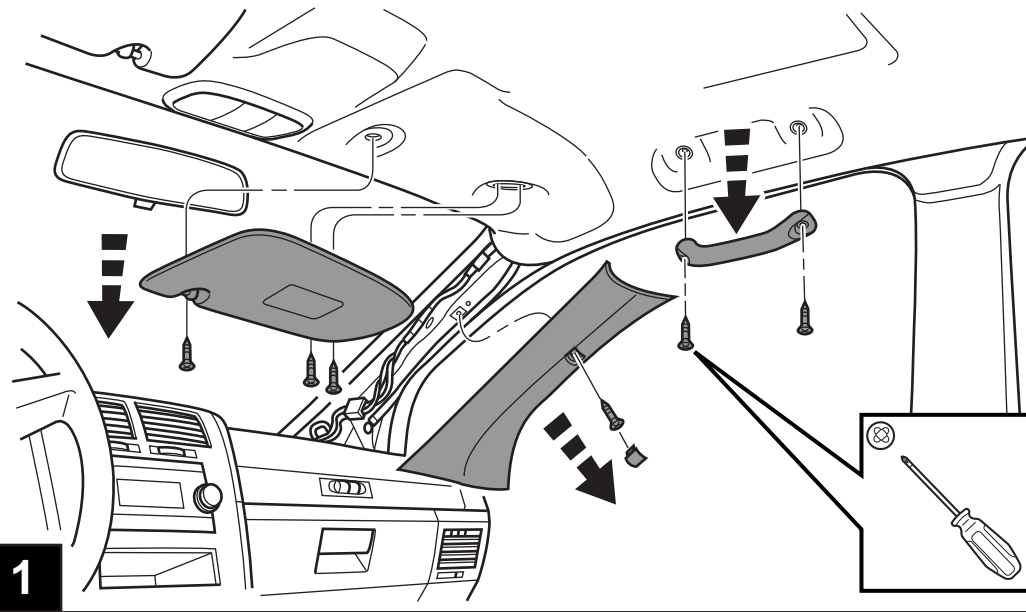


CONTENTS:



Item	Qty.	Description
A	1	Mounting Bracket
B	2	Foam Blocks
C	1	Template
D	1	T-Harness
E	1	Mercury Warning Label
F	1	Wire Harness
G	1	Shroud
H	1	DVD Unit
I	3	Tie Straps
J	3	Snap-In Clips
K	1	DVD Remote Control
L	1	Owner's Guide
M	2	Headphones
N	6	Batteries
O	1	Foam Tape
P	1	FM Modulator
Q	3	(12mm) Shroud Screws
R	2	(8mm) Shroud Screws
S	4	Headliner Foam Blocks
T	8	Self-tapping Screws
U	1	Dome Lamp Plate
V	2	(30mm) Screws
W	4	(20mm) Screws

EN

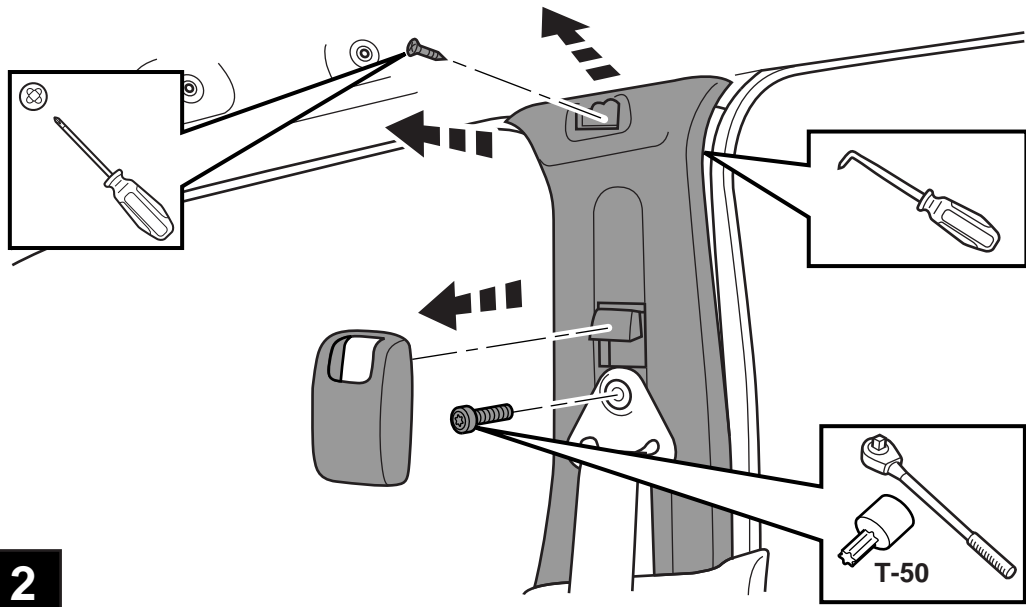


1

A - Interior Trim Panel and Component Removal:

Disconnect and isolate negative battery cable.

- 1) Open cap plug on passenger side A-pillar trim panel and remove the screw and trim panel.
- 2) Disconnect and remove passenger side sun visor.
- 3) Disengage and remove sun visor retaining clip.
- 4) Remove passenger side grab handle.

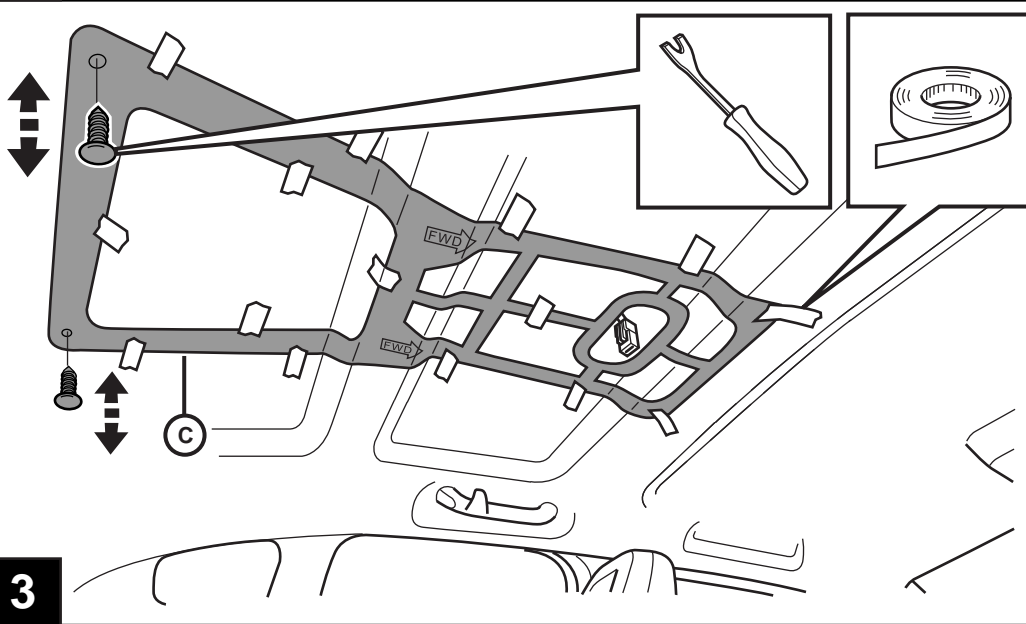


2

A - Interior Trim Panel and Component Removal:

- 5) Remove passenger side seat belt cover and B-pillar cover.

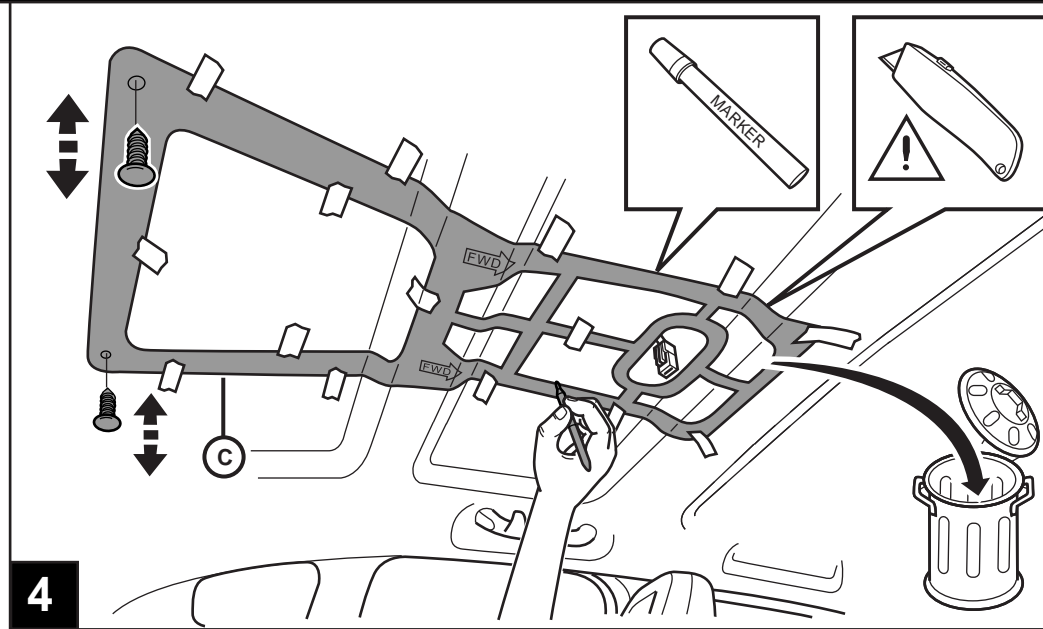
NOTE:
Save all parts removed for re-installation.



3

B - Trim Out Headliner:

- 1) Remove dome lamp (skip if not equipped).
- 2) Remove (2) rear most headliner fasteners, align template.
- 3) Align template "C" to the dome lamp hole.
- 4) Secure template "C" to front of headliner with masking tape and align template flush against the headliner following its contour.

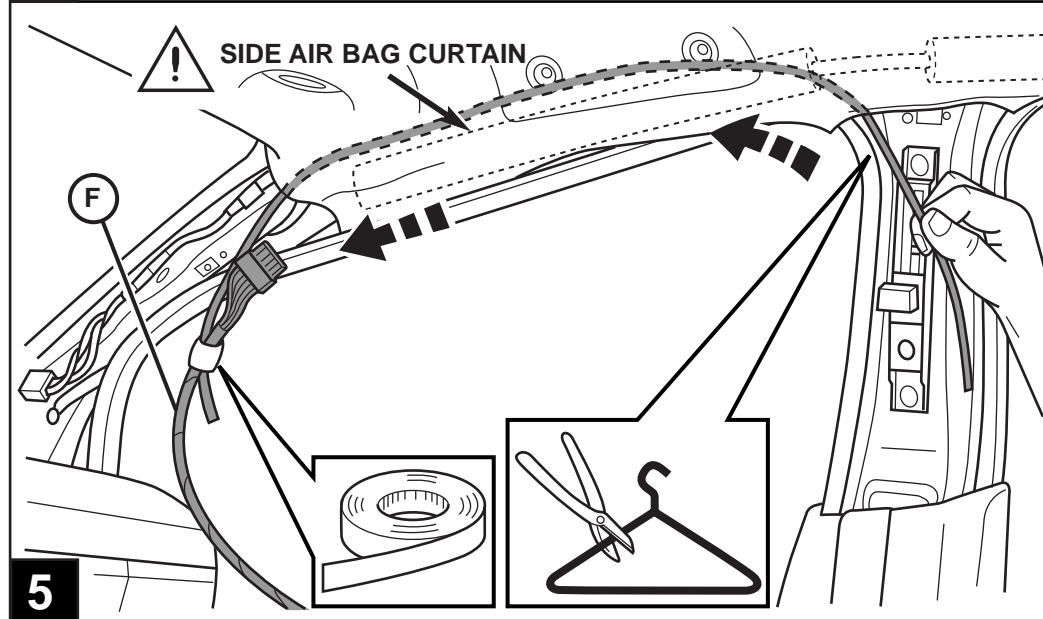


B - Trim Out Headliner:

- 5) Mark the area to be cut on the headliner with a marker, discard template.
- 6) Trim out headliner per instructions using a sharp utility knife.

! WARNING
CARE MUST BE TAKEN WHEN CUTTING INTO THE HEADLINER, NOT TO CUT ANY ELECTRICAL WIRING.

4

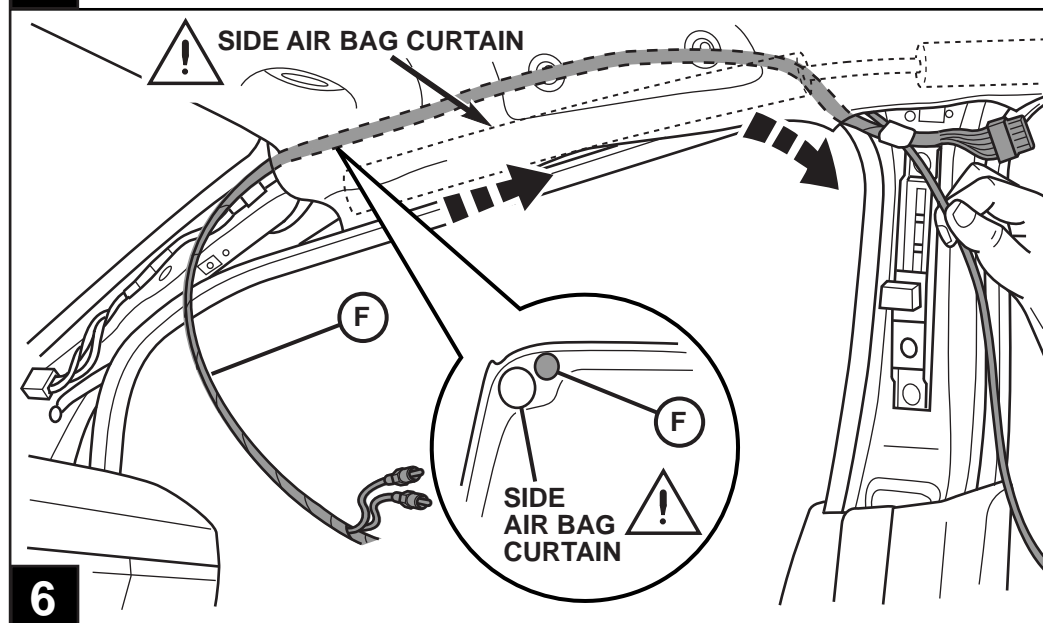


C - Wire Harness Installation:

- 1) Using a fish hook tool, tape and feed electrical harness "F" through headliner from A-pillar to B-pillar.

! WARNING
ENSURE FISH HOOK AND HARNESS ARE ROUTED IN FRONT OF THE SIDE AIR BAG CURTAIN-SIDE AIR BAG MAY NOT FUNCTION PROPERLY IF ROUTED BELOW AIR BAG SYSTEM.

5

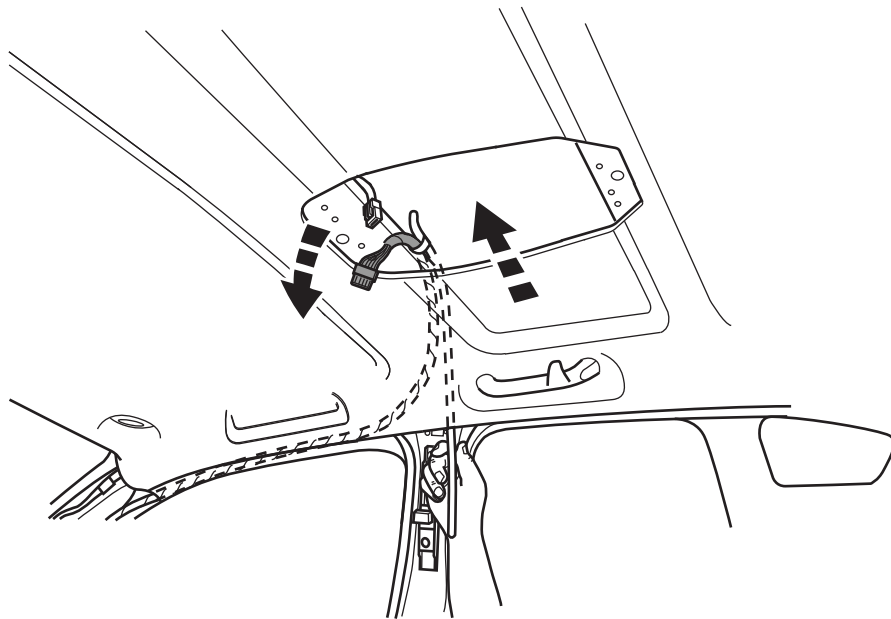


C - Wire Harness Installation:

- 2) Pull harness "F" through headliner until it exits out from the B-pillar.

! WARNING
ENSURE FISH HOOK AND HARNESS ARE ROUTED IN FRONT OF THE SIDE AIR BAG CURTAIN-SIDE AIR BAG MAY NOT FUNCTION PROPERLY IF ROUTED BELOW AIR BAG SYSTEM.

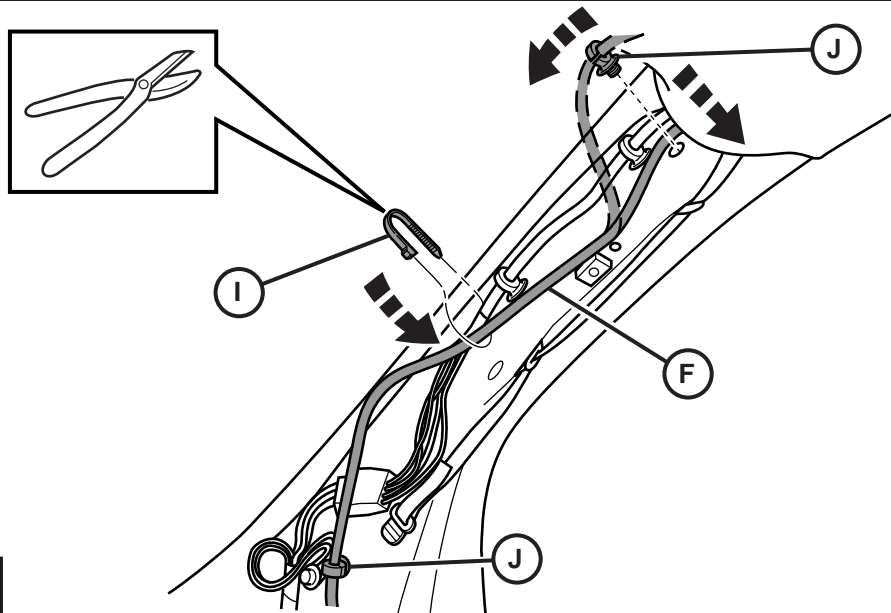
6



7

C - Wire Harness Installation:

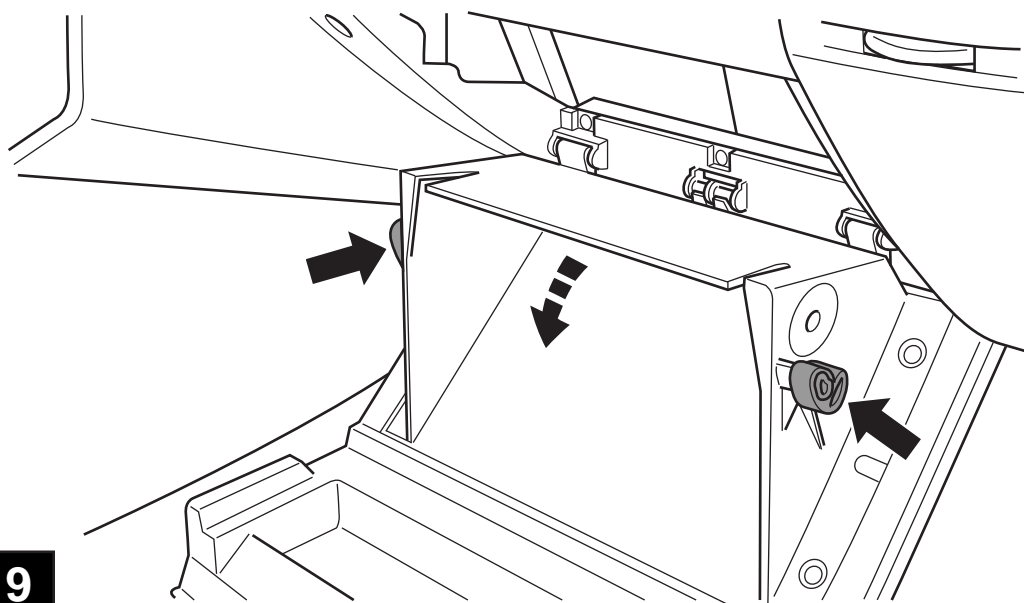
- 3) Reposition fish hook and harness end "F", and slide through headliner from B-pillar until it exits the cut-out opening.
- 4) Pull out at least 3-4 inches of harness "F" extending from the cut-out opening.



8

C - Wire Harness Installation:

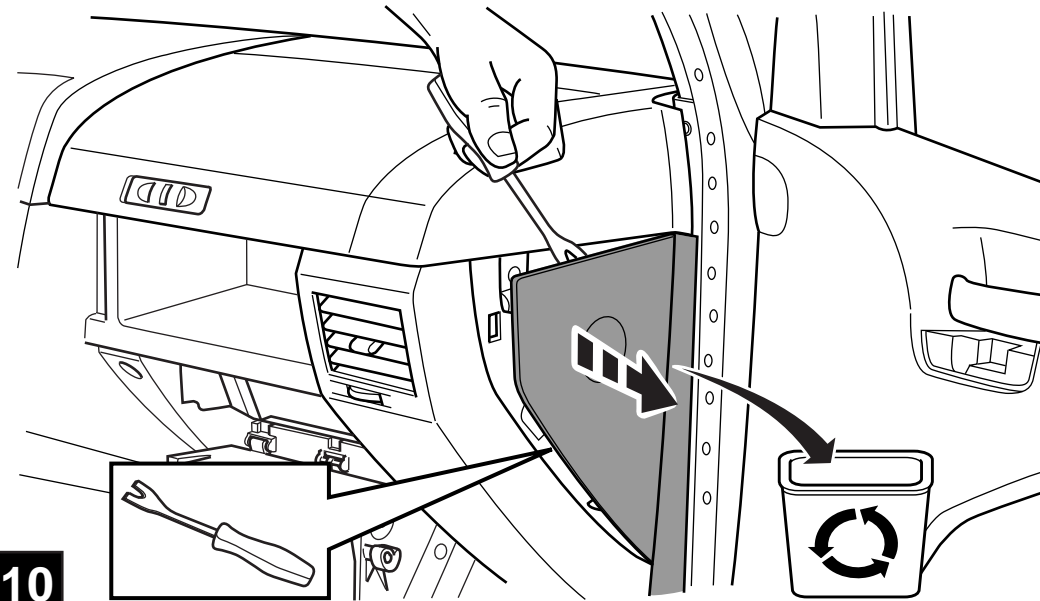
- 5) Mount (2) Snap-In clips "J" into a upper and lower hole on A-pillar.
- 6) Clip and lock harness "F" into Snap-In clips.
- 7) Using a tie strap "I", tie down harness "F" to the existing A-pillar wiring harness.



9

C - Wire Harness Installation:

- 8) Drop glove box down by pushing in on the release pins on both sides.

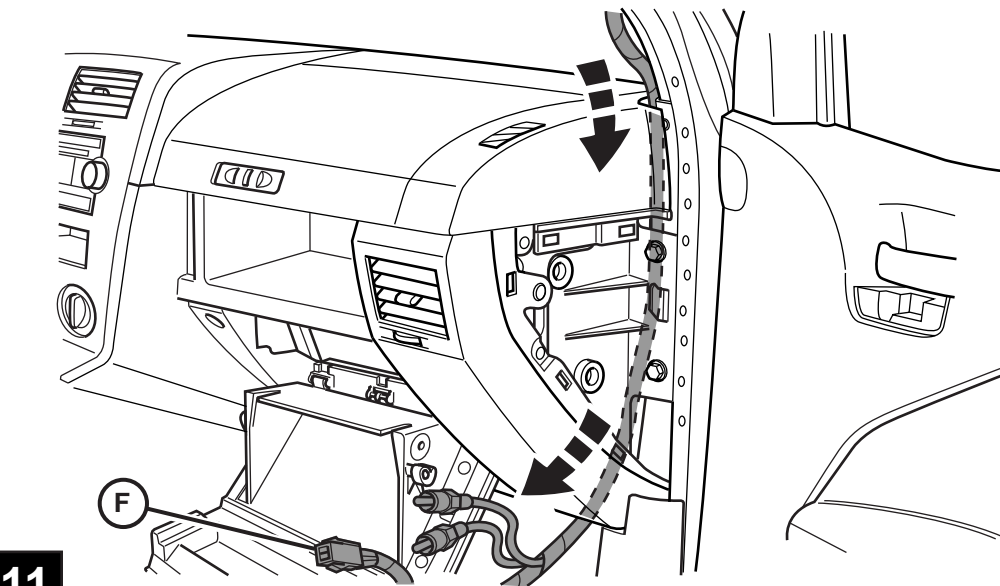


10

C - Wire Harness Installation:

- 9) Remove passenger side access panel.

NOTE:
Save for re-installation.

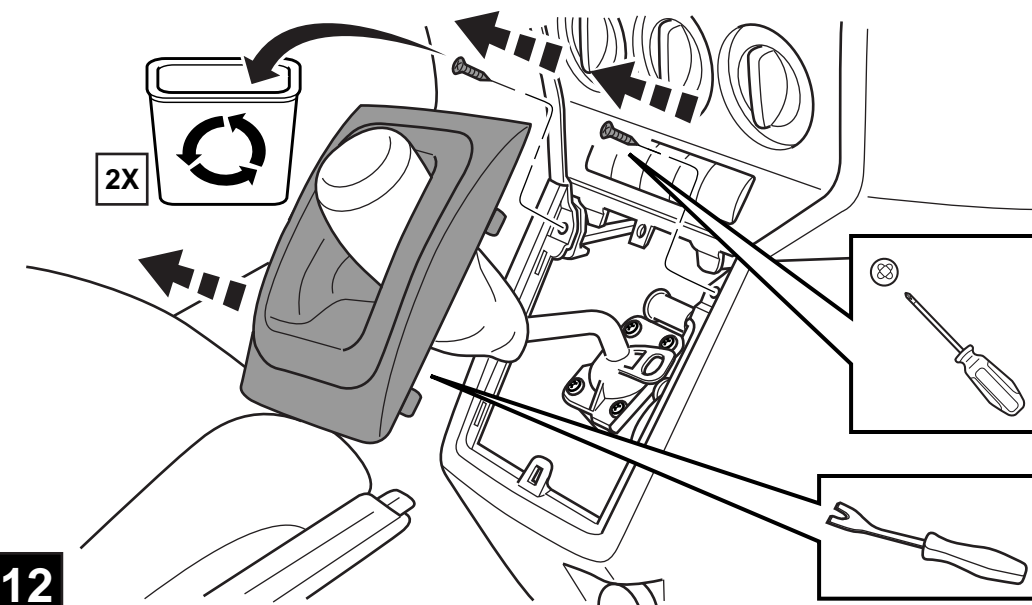


11

C - Wire Harness Installation:

- 10) Feed harness "F" down through A-pillar and access panel, until it exists out underneath the glove box area.

- 11) Re-install access panel.

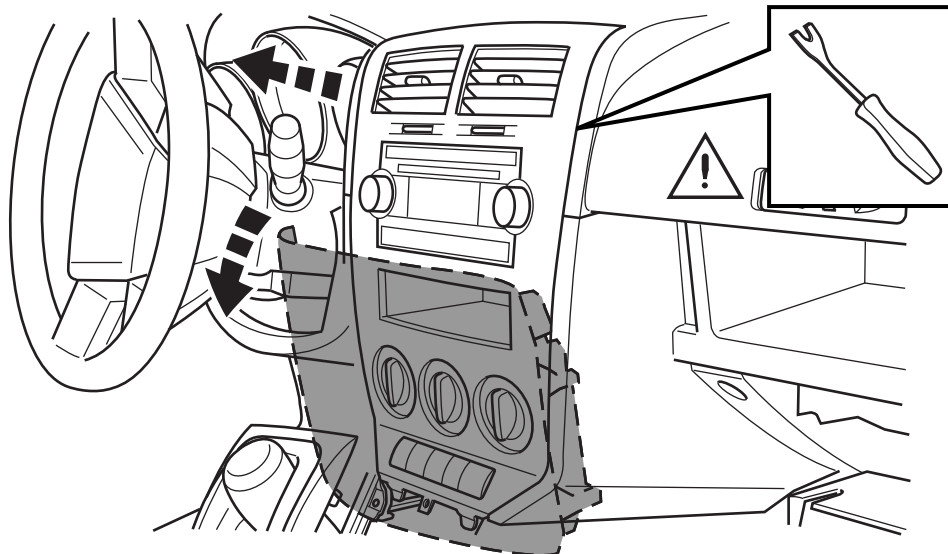


12

D - T-Harness Installation:

- 1) Using a fork tool, pull up shifter bezel.
- 2) Remove (2) screws that fasten the center console bezel in place.

NOTE:
Save screws for re-installation.



13

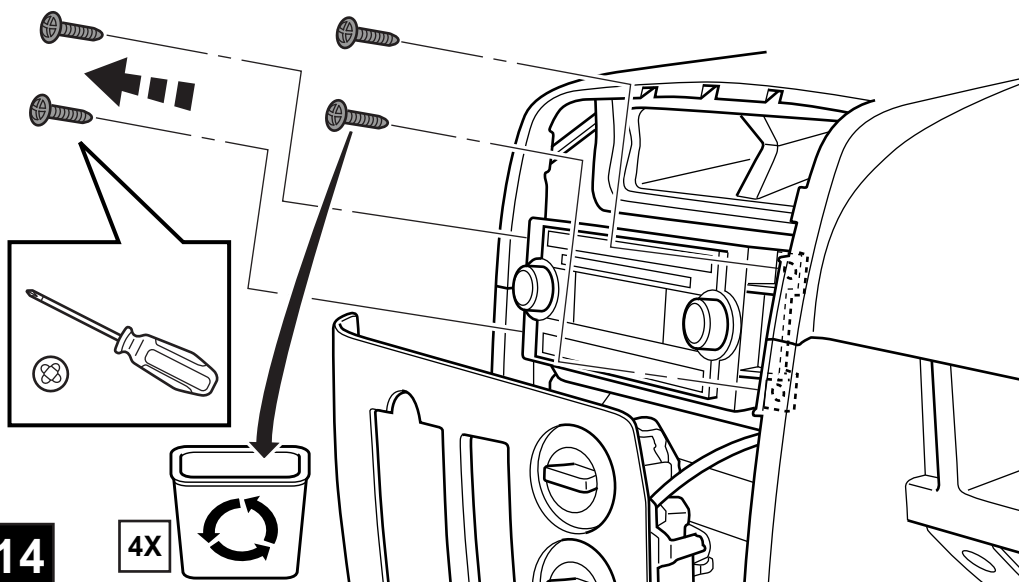
D - T-Harness Installation:

- Using the fork tool, carefully pry center console face cover off and rotate to the left to expose radio unit mounting screws.



WARNING

DO NOT TRY TO PULL CONSOLE FACE COVER OFF, DAMAGE MAY OCCUR TO OTHER ELECTRICAL CONNECTIONS.



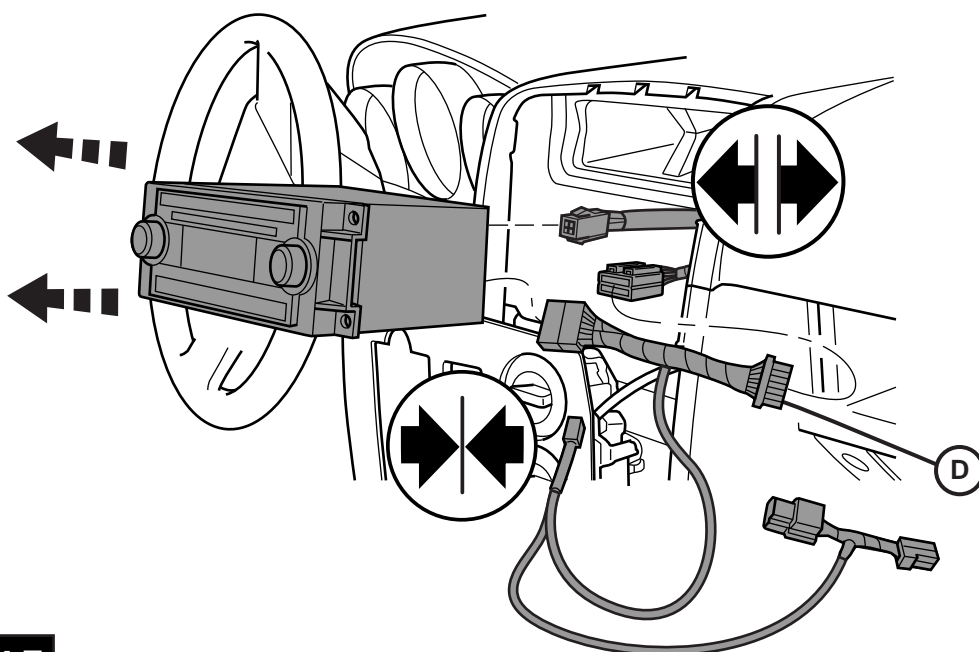
14

D - T-Harness Installation:

- Remove the (4) screws holding radio in place.

NOTE:

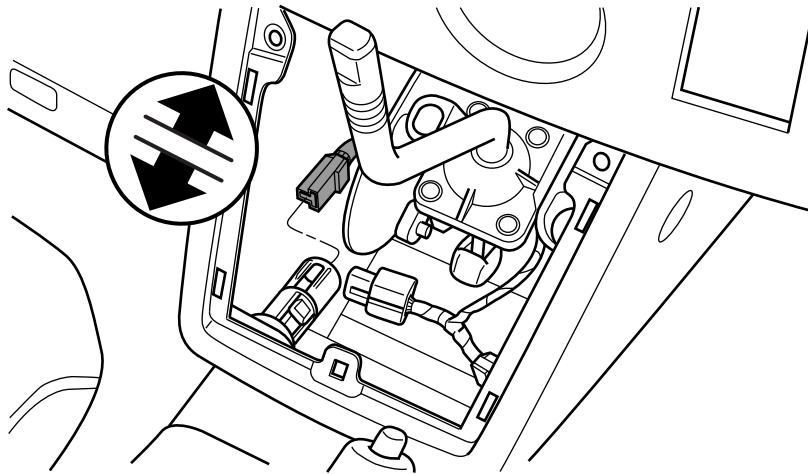
Save screws for reinstallation.



15

D - T-Harness and FM Modulator Installation:

- Pull radio forward and disconnect the 22-way connector from back of radio.
- Connect T-harness "D" between radio and 22-way connector.
- Route the small 4-way connector end of the T-harness "D", behind I/P substrate through the hole in the glove box opening.
- Route T-harness end "D" (3-way connector) to ignition power outlet accessory supplied.
- Reconnect antenna and T-harness "D" to back of radio, reinstall radio.

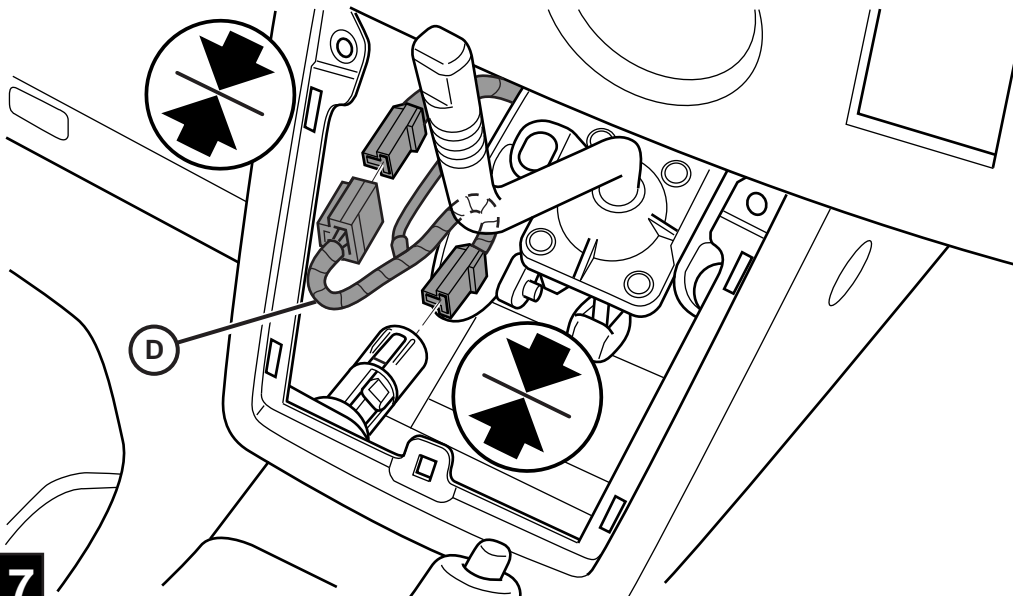


D - T-Harness and FM Modulator Installation:

- 10) Remove shifter knob and shifter cover.

NOTE:
Save all parts for re-installation.

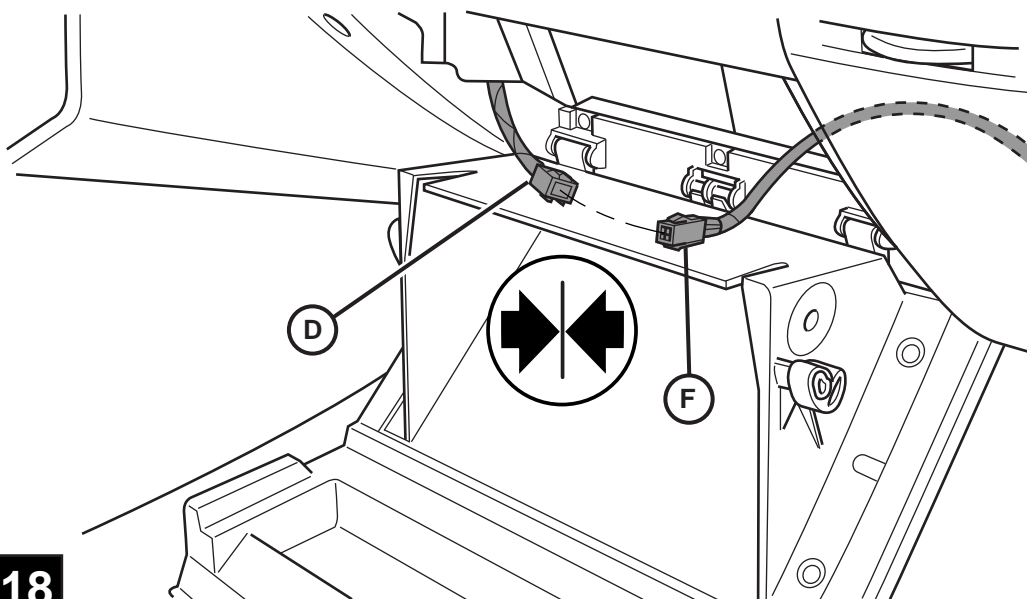
16



D - T-Harness and FM Modulator Installation:

- 11) Connect the smaller end of the T-Harness "D" between the accessory harness and the accessory jack.
- 12) Connect the power outlet electrical lead into the T-Harness "D".
- 13) Connect opposite end of T-Harness lead to power outlet terminal.

17



D - T-Harness and FM Modulator Installation:

- 14) Route remaining connector on T-Harness "D" behind console and connect it to opposite connector on wire harness "F".

18

D - T-Harness and FM Modulator Installation:

- 15) Disconnect antenna lead located above left kick panel behind glove box.

19

D - T-Harness and FM Modulator Installation:

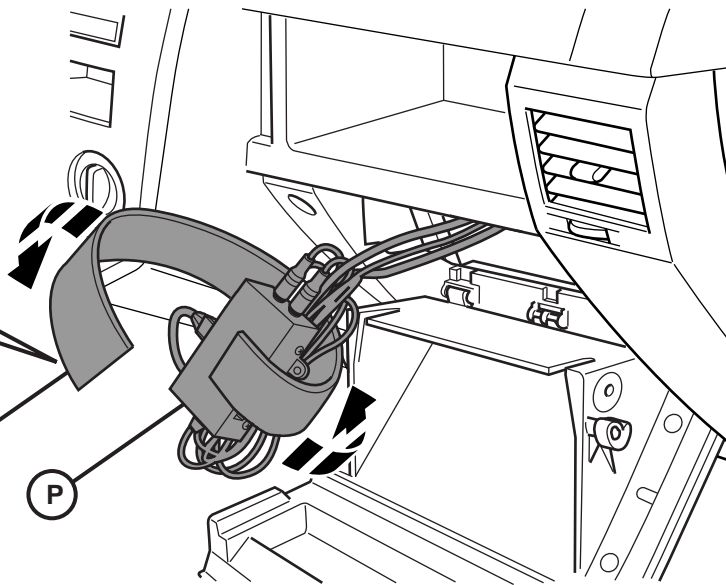
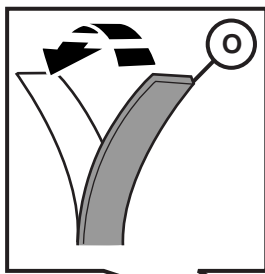
- 16) Connect the antenna leads from the FM modulator "P" into the existing antenna leads.

20

D - T-Harness and FM Modulator Installation:

- 17) Connect "red" and "white" audio jacks to FM modulator "P".

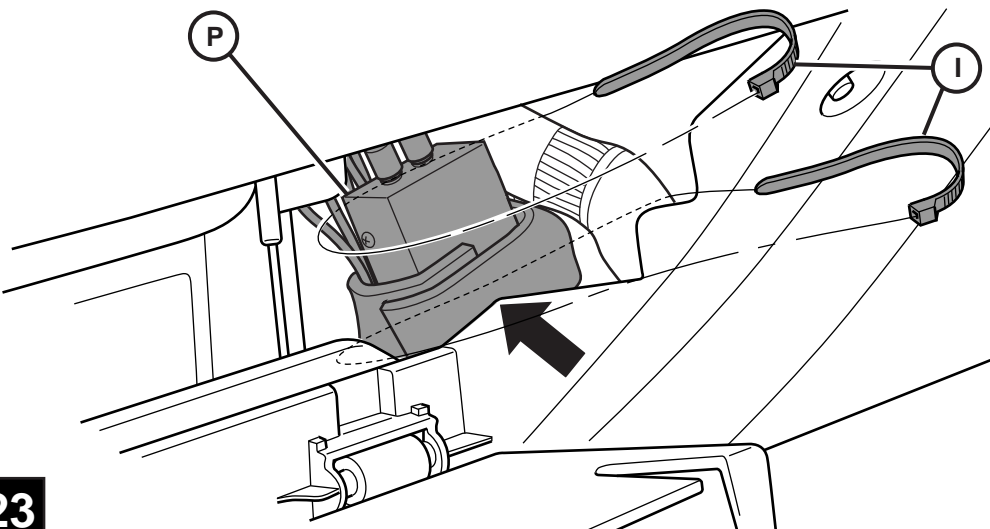
21



D - T-Harness and FM Modulator Installation:

- 18) Wrap all excess wires around FM modulator "P".
- 19) Remove protective backing from foam strip "O", and wrap around excess wires and FM modulator "P".

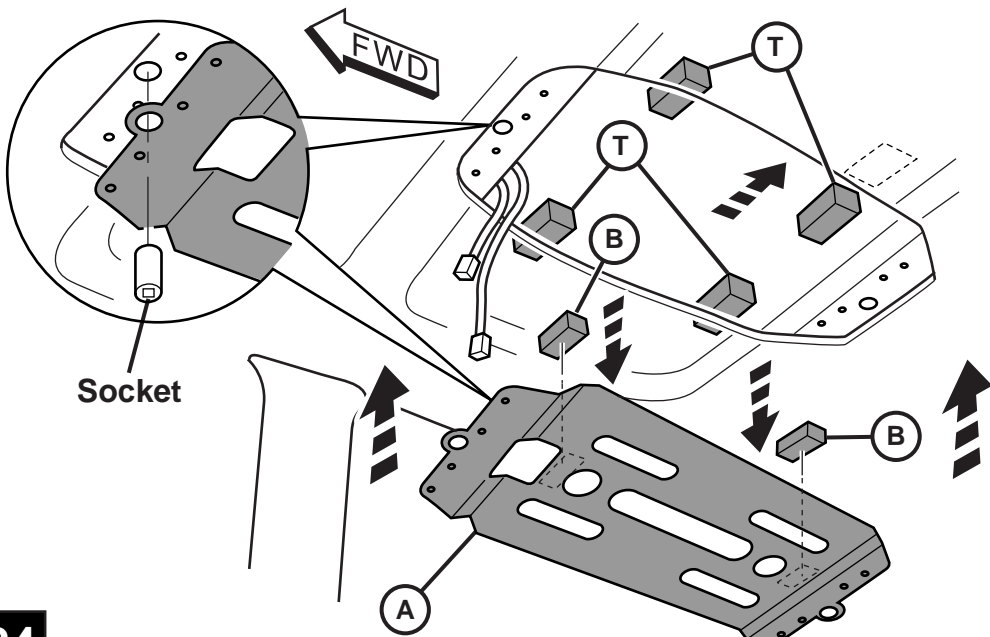
22



D - T-Harness and FM Modulator Installation:

- 20) Tuck FM modulator "P" in corner behind glove box next to HVAC unit.
- 21) Secure FM modulator with (2) tie straps "I"

23



E - Final Assembly:

- 1) Attach headliner foam blocks "B" to top side of mounting bracket "A".
- 2) Align DVD mounting bracket holes to roof beam holes.
- 3) Align bracket end holes to holes in center of roof bows using a socket to aid alignment.
- 4) Place headliner foam blocks "T" between headliner and roof.

NOTE:
Ensure that harness leads are pulled through bracket openings before fastening with screws.

24

E - Final Assembly:

- 3) Fasten DVD mounting bracket "A" to roof beams with (8) self tapping screws "T".

NOTE:
See chart on last page for proper location of mounting screw.

E - Final Assembly:

- 4) Connect dome light harness to terminal on DVD shroud "G".
- 5) Pull harness "F" through DVD shroud opening.
- 6) Attach DVD shroud "G" to mounting bracket "A" with (3) screws "Q", (2) screws "R".

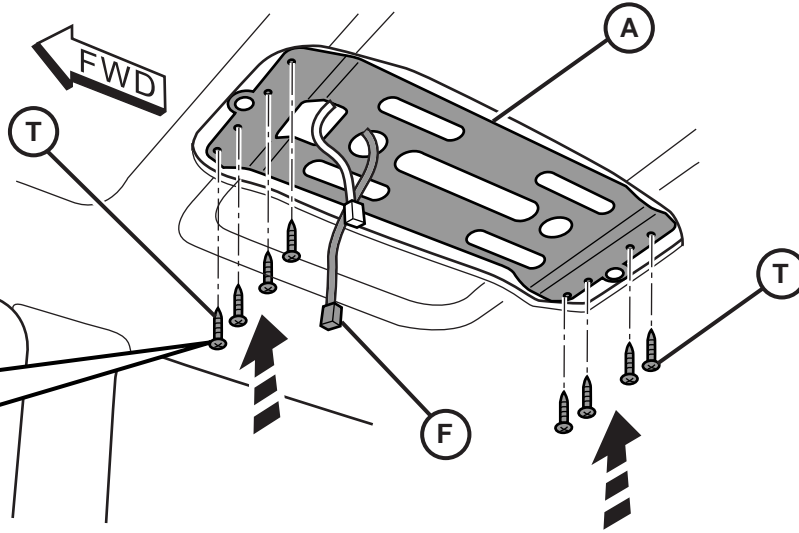
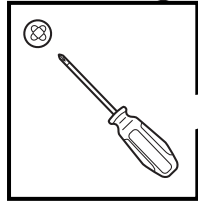
NOTE:
See chart on last page for proper location of mounting screw.

E - Final Assembly:

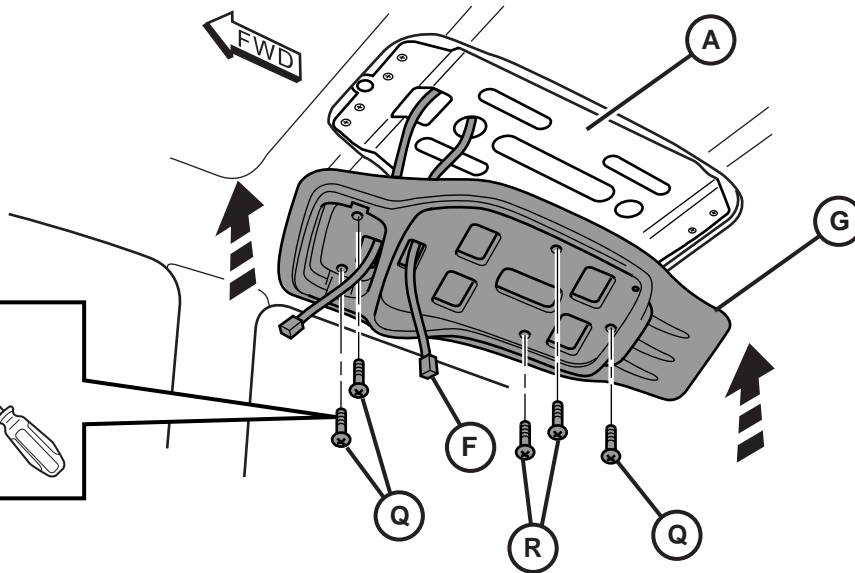
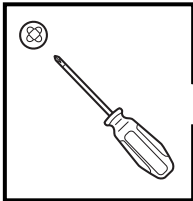
- 7) Install DVD unit "H" to DVD shroud "G" with (4) screws "W" and (2) screws "V".

NOTE:
See chart on last page for proper location of mounting screw.

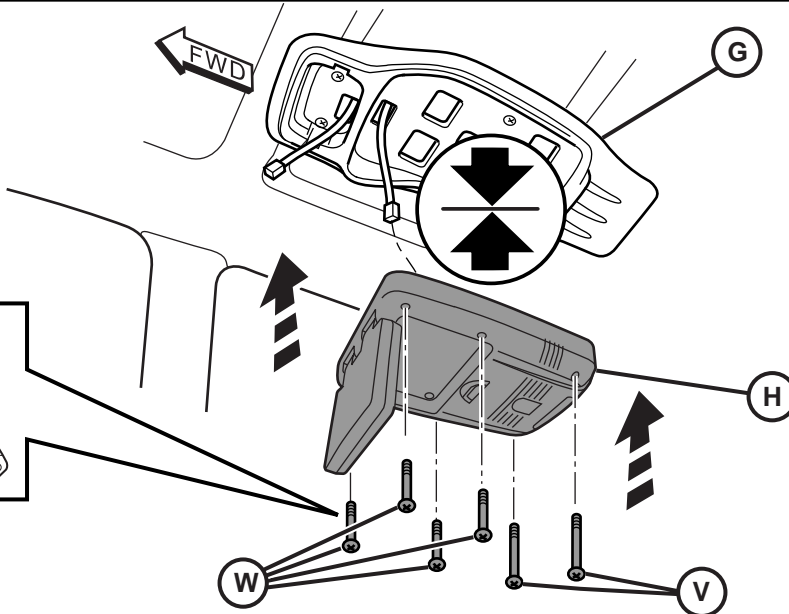
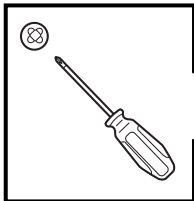
25



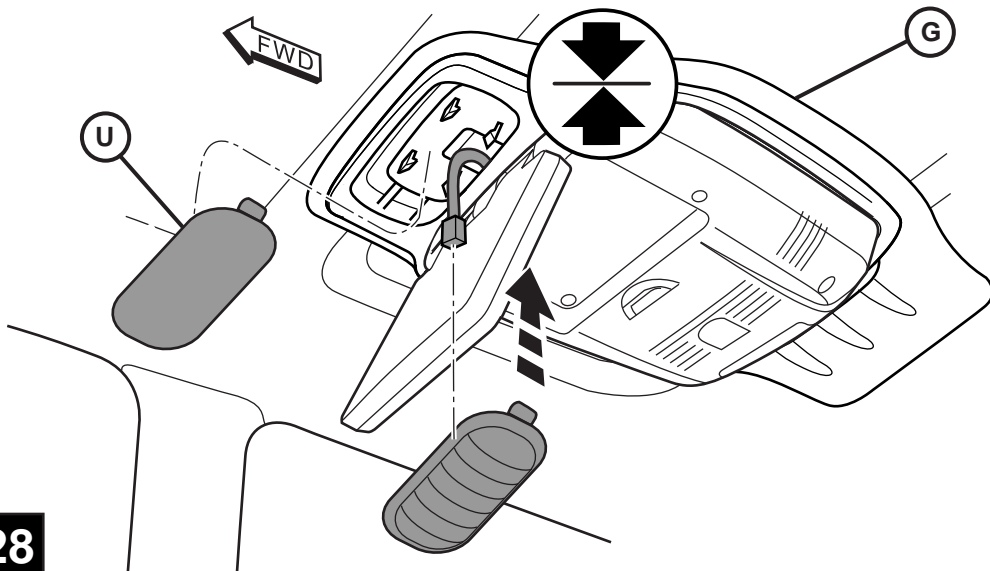
26



27



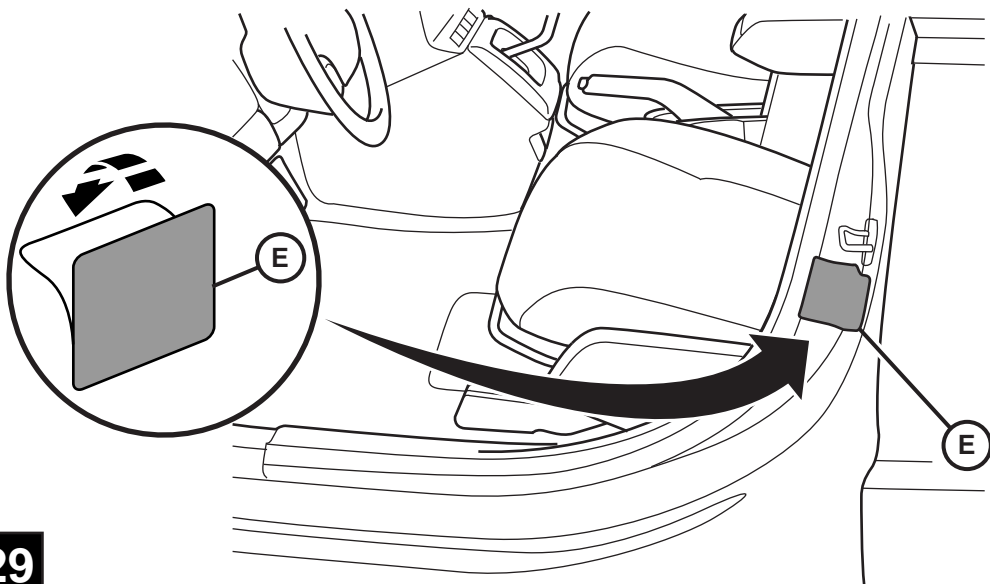
28



E - Final Assembly:

- 8) Reconnect dome light to DVD shroud "H" or snap in "Item U"
- 9) Reinstall all remaining parts.

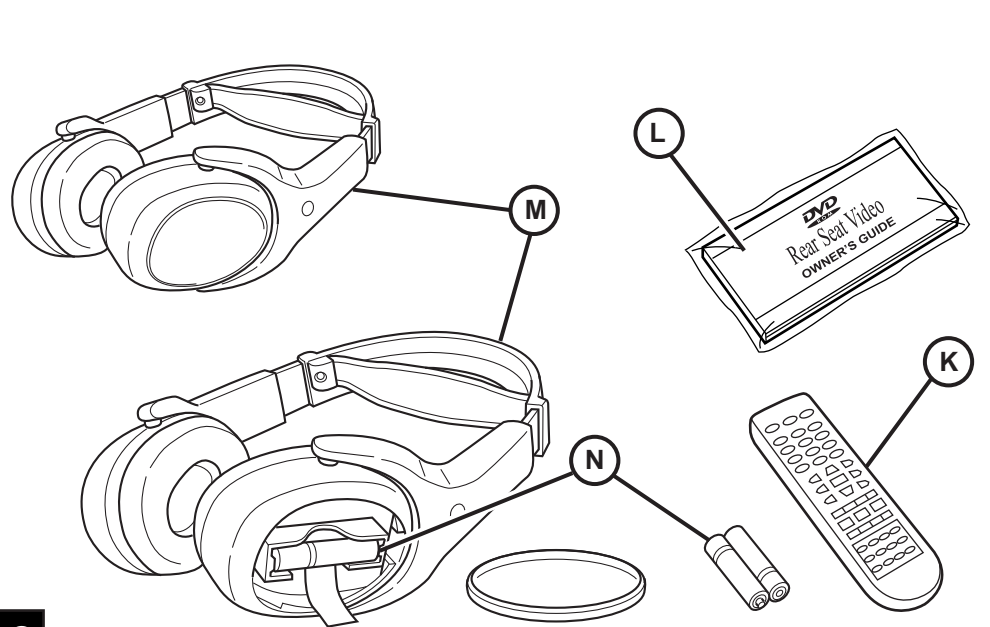
29



F - Label Application:

- 1) Peel back protective backing off Mercury Warning label "E" and place on doorsill as shown.

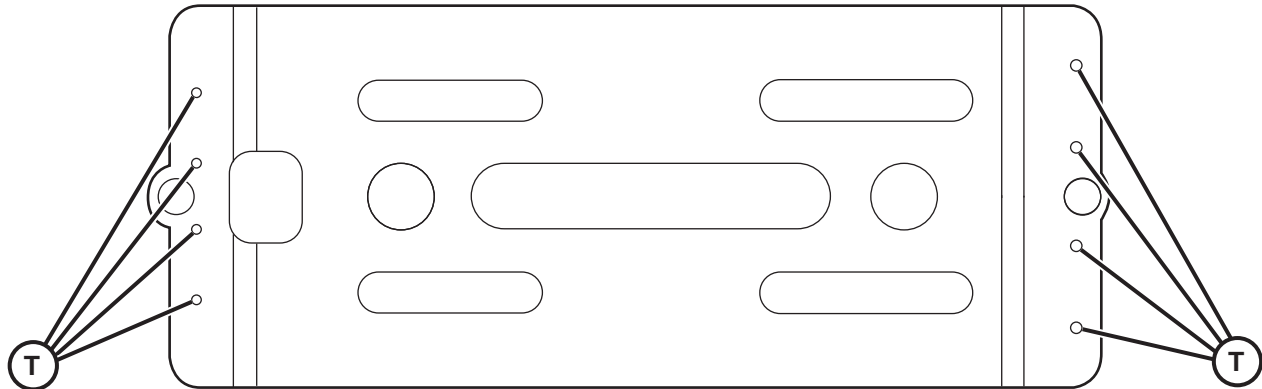
30



G - Operation Test:

- 1) Place supplied batteries "N" into both headphones "M"
- 2) Carefully remove plastic cover from DVD screen.
- 3) Turn on ignition, unit will power up. Insert a known working DVD disc.
- 4) Refer to DVD Owner's Manual "L" to verify function of headphones and DVD remote control.
- 5) Verify function of FM modulator by switching the unit to "FM Modulator" mode and turning the radio to the frequency set on the FM modulator, factory default is 88.3 MHz.
- 6) Place DVD Owner's Manual in glove box.

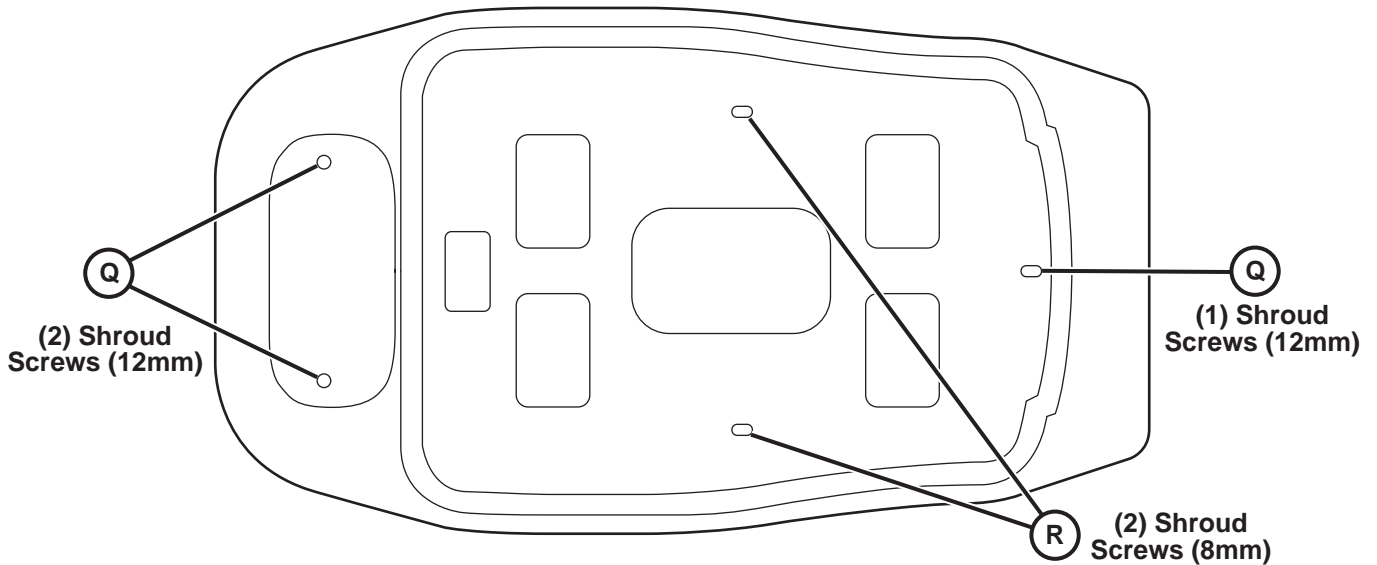
(A) MOUNTING BRACKET-SCREW LOCATION



(4) Self Tapping Screws

(4) Self Tapping Screws

(G) SHROUD-SCREW LOCATION

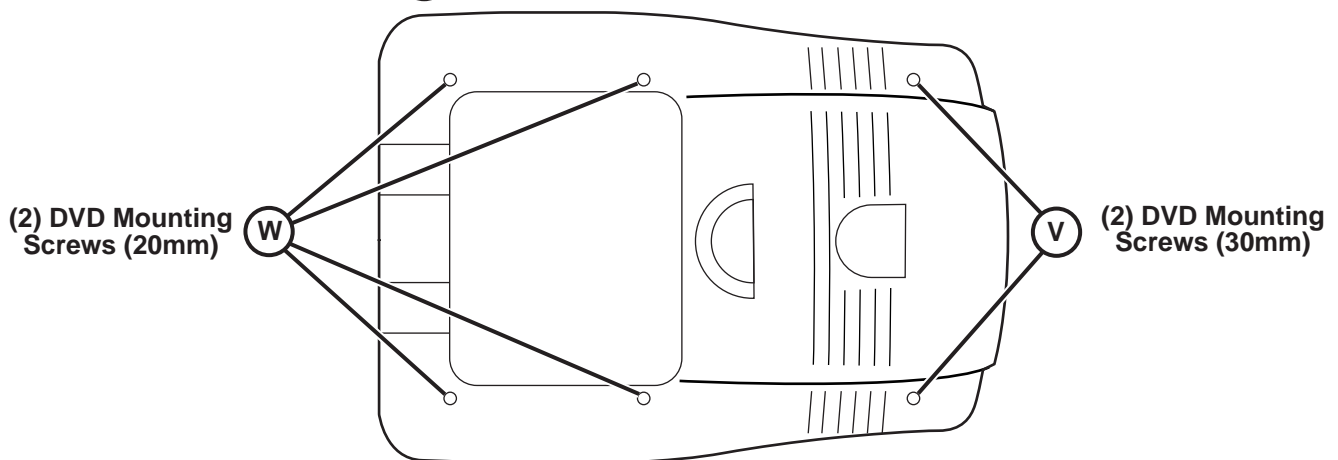


(2) Shroud
Screws (12mm)

(1) Shroud
Screws (12mm)

(2) Shroud
Screws (8mm)

(H) DVD UNIT-SCREW LOCATION



(2) DVD Mounting
Screws (20mm)

(2) DVD Mounting
Screws (30mm)