
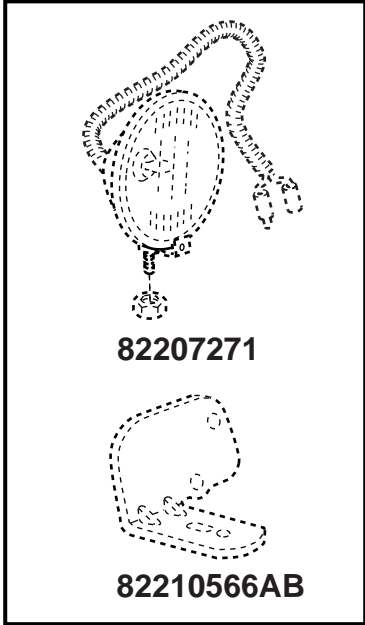
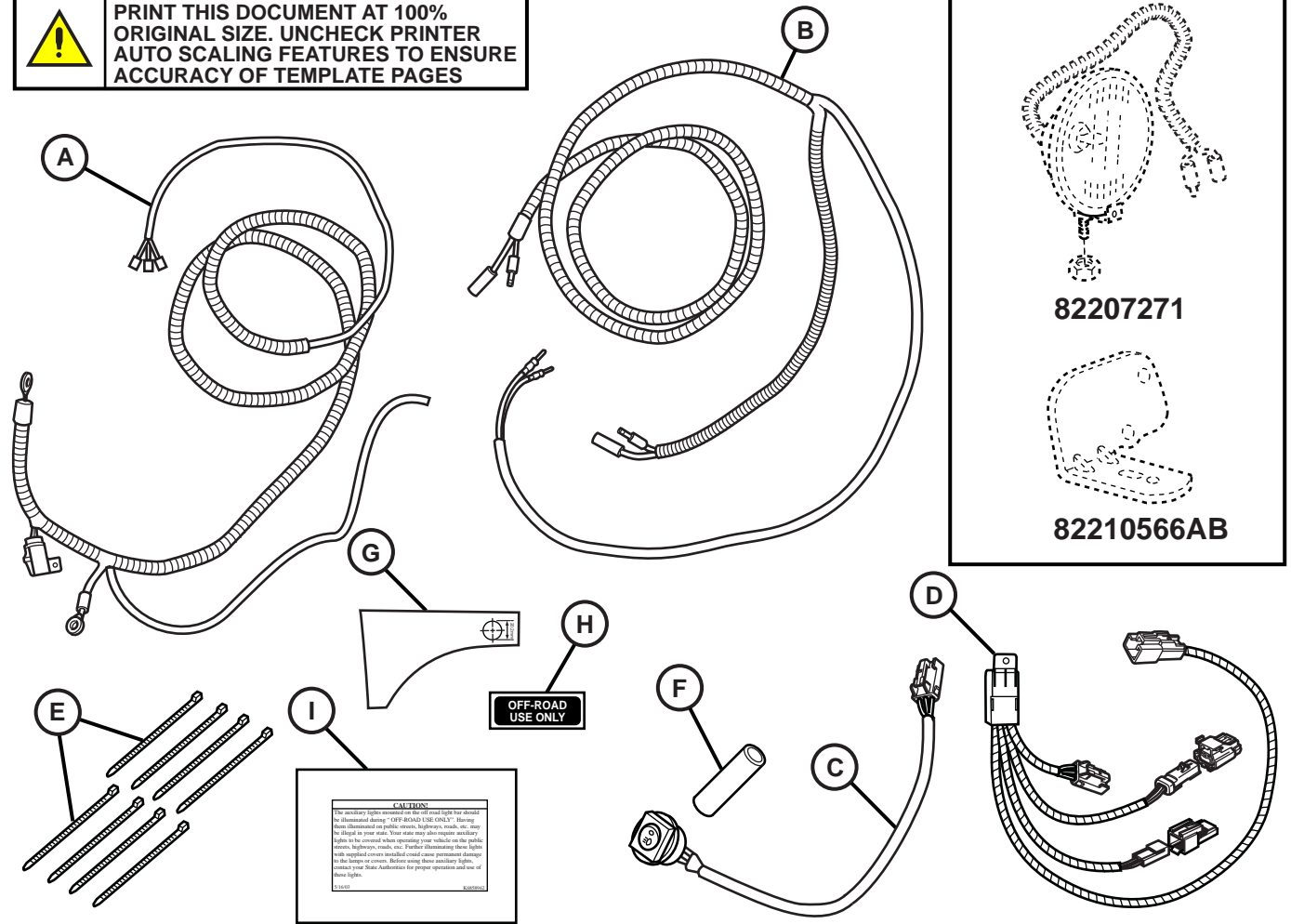





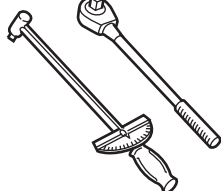

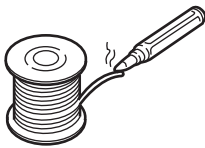
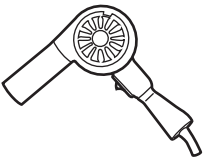
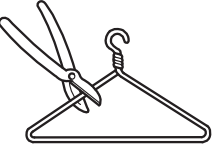
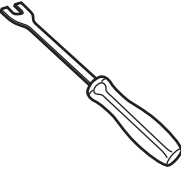
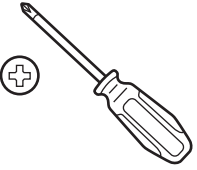
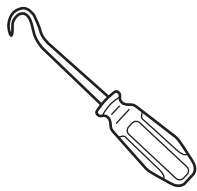

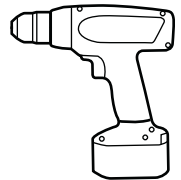
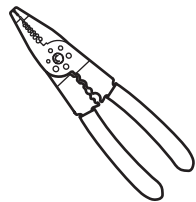

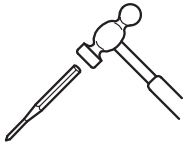


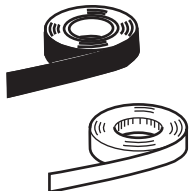
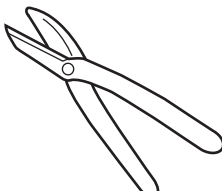


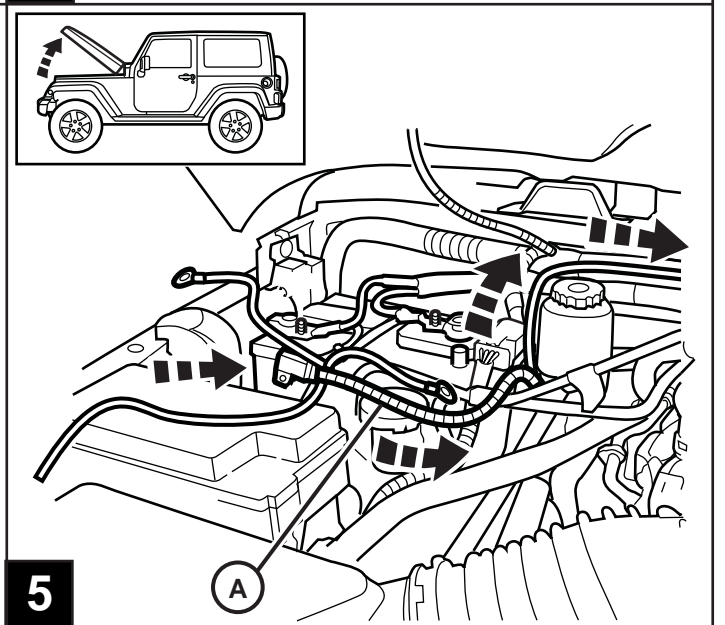
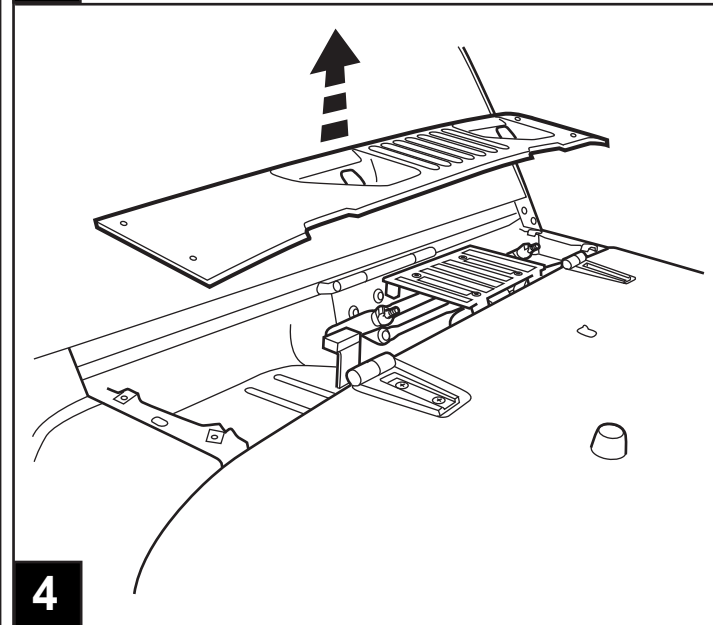
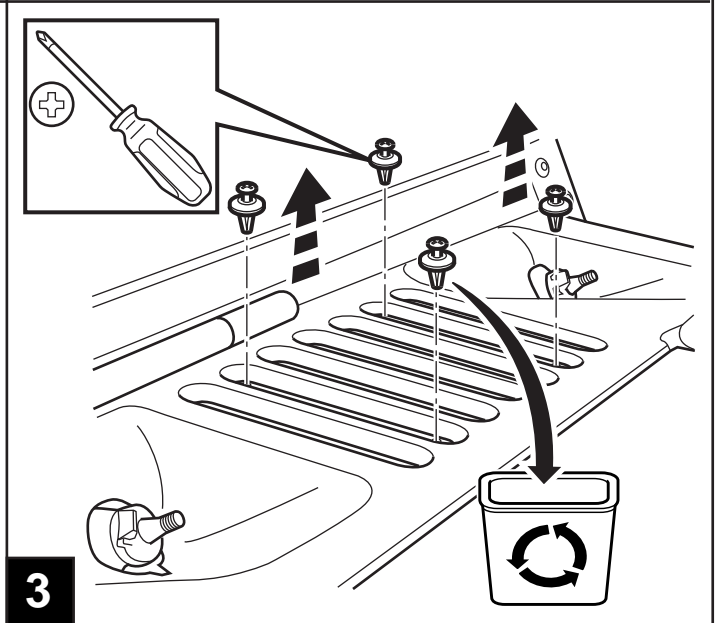
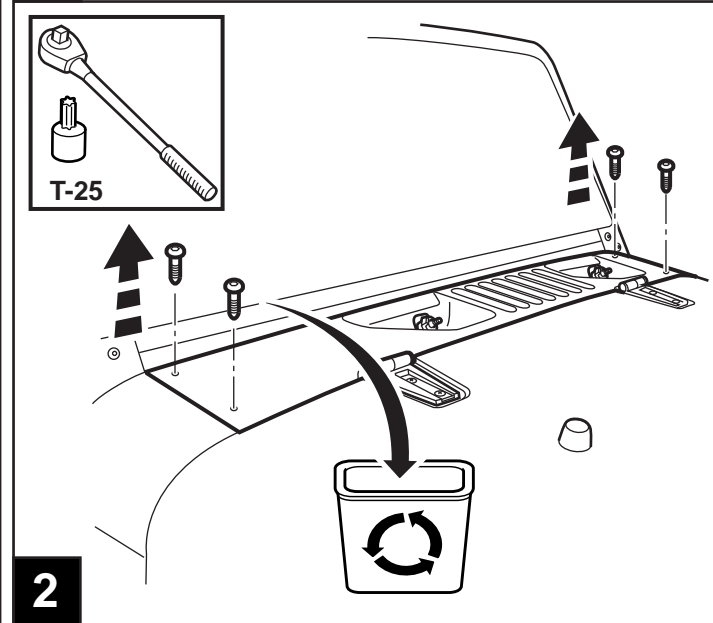
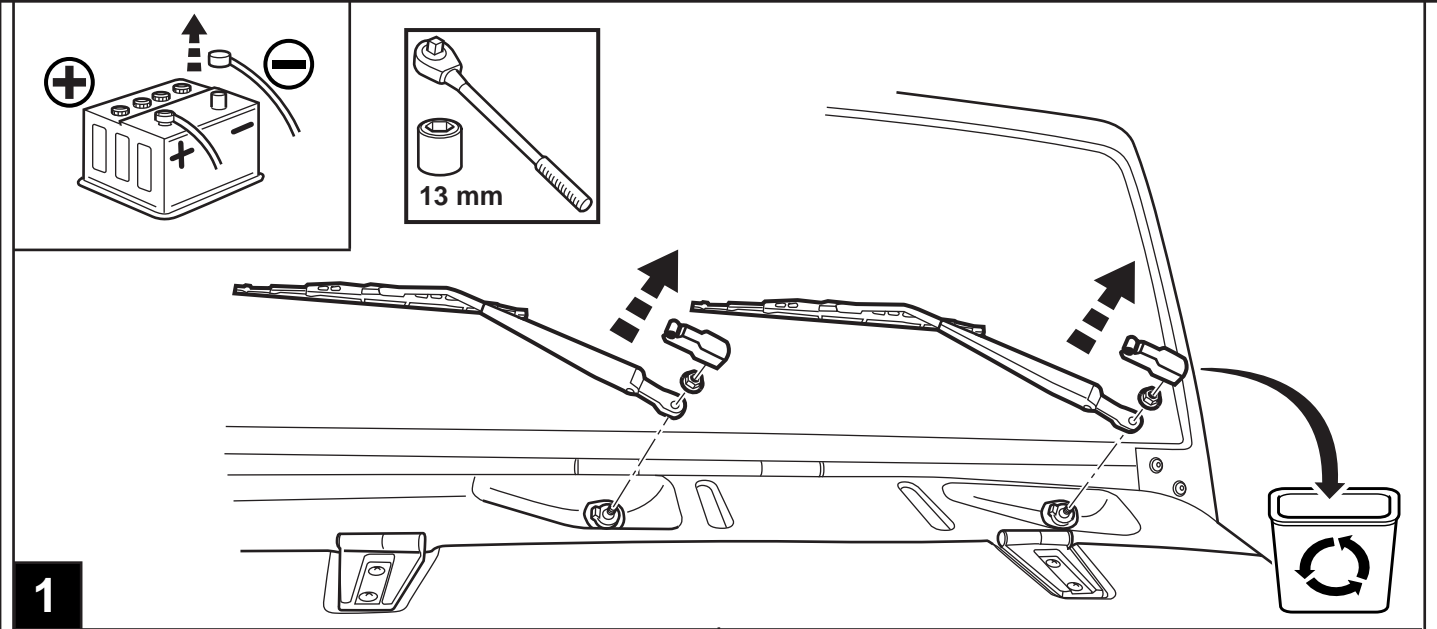
JEEP WRANGLER

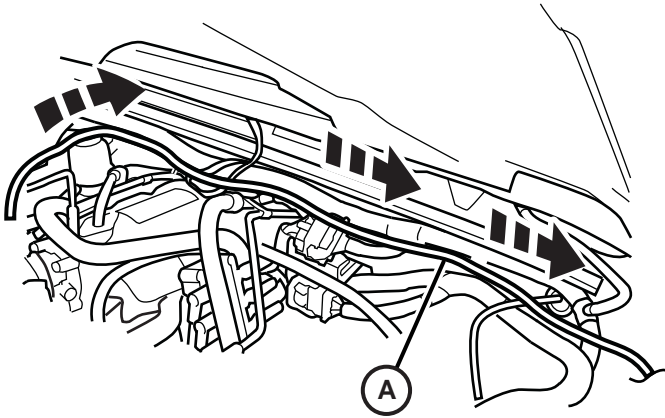
Windshield Mounted Off-Road Lamp Wiring Kit

 PRINT THIS DOCUMENT AT 100% ORIGINAL SIZE. UNCHECK PRINTER AUTO SCALING FEATURES TO ENSURE ACCURACY OF TEMPLATE PAGES

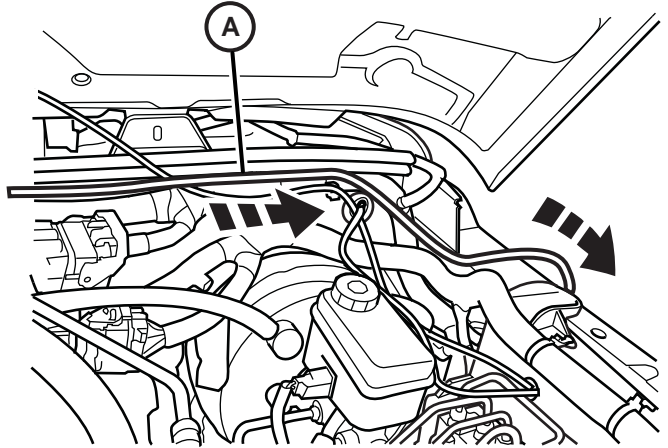


| | | | | | |
|--|---|---|---|---|---|
|  T-25  10mm  13mm |  |  |  |  |  |
|  |  |  |  20mm |  |  |
|  |  |  |  RTV SEALANT |  |  |

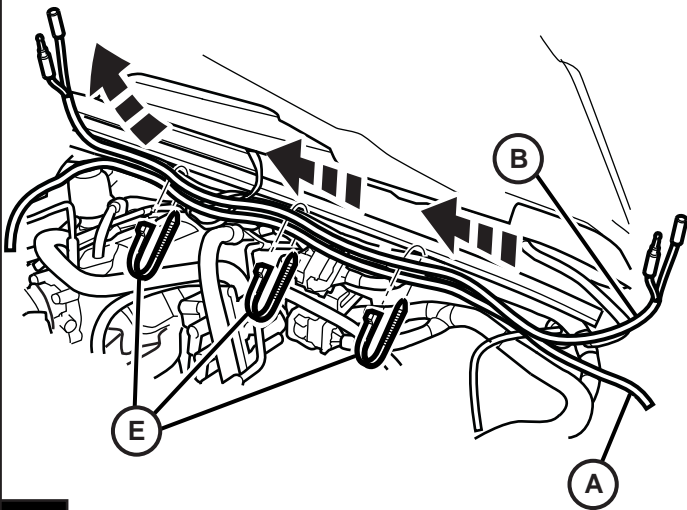




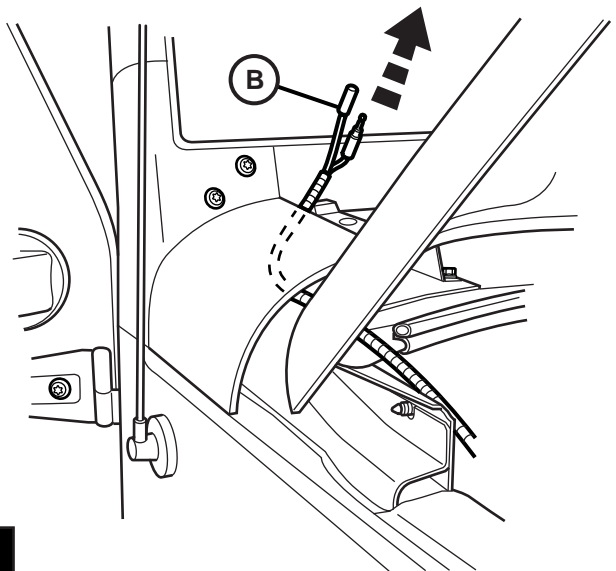
6



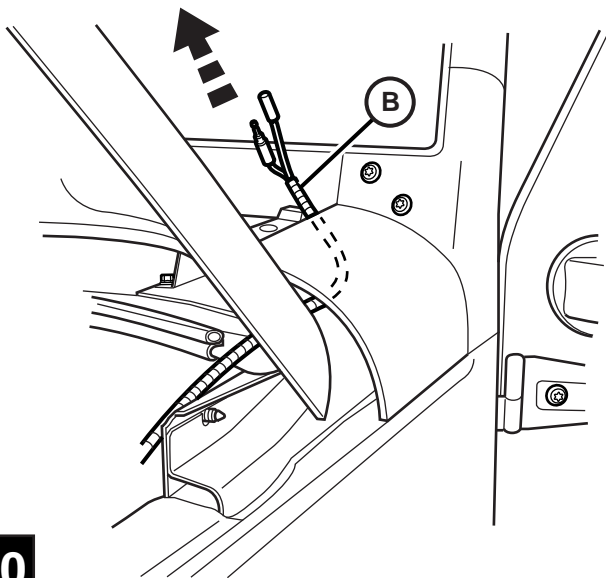
7



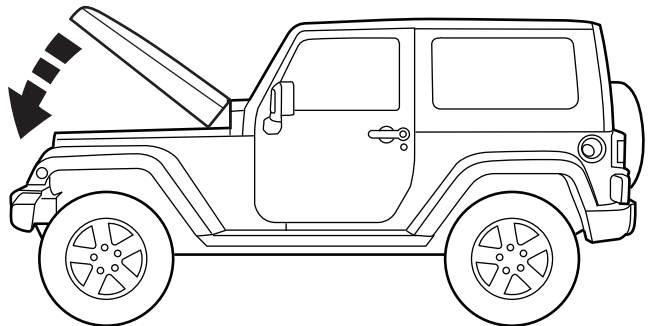
8



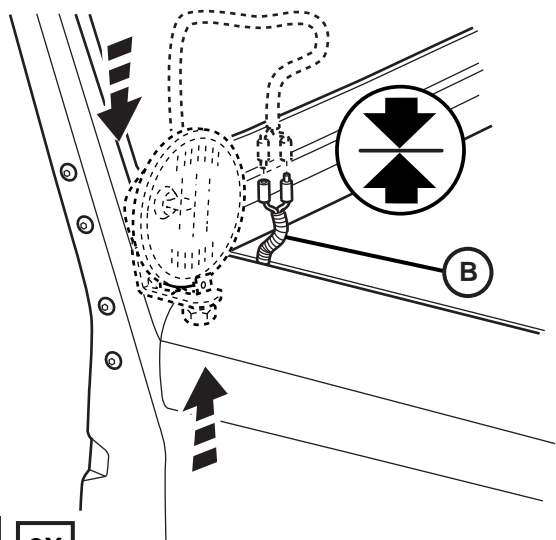
9



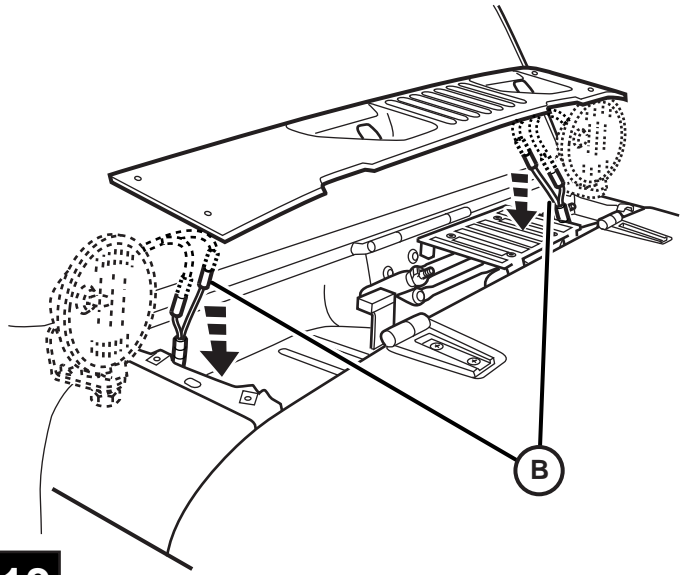
10



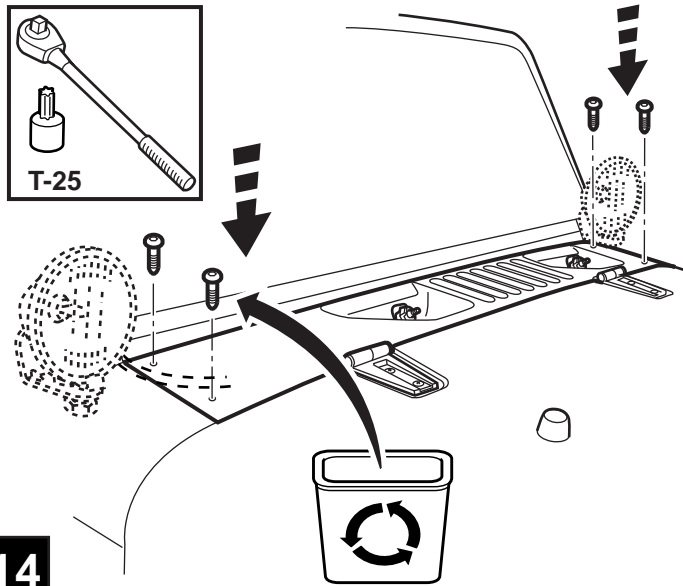
11



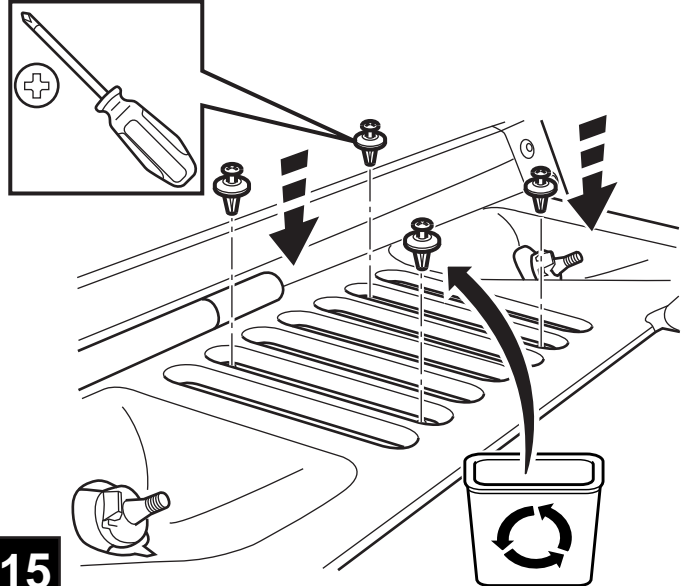
12 2X



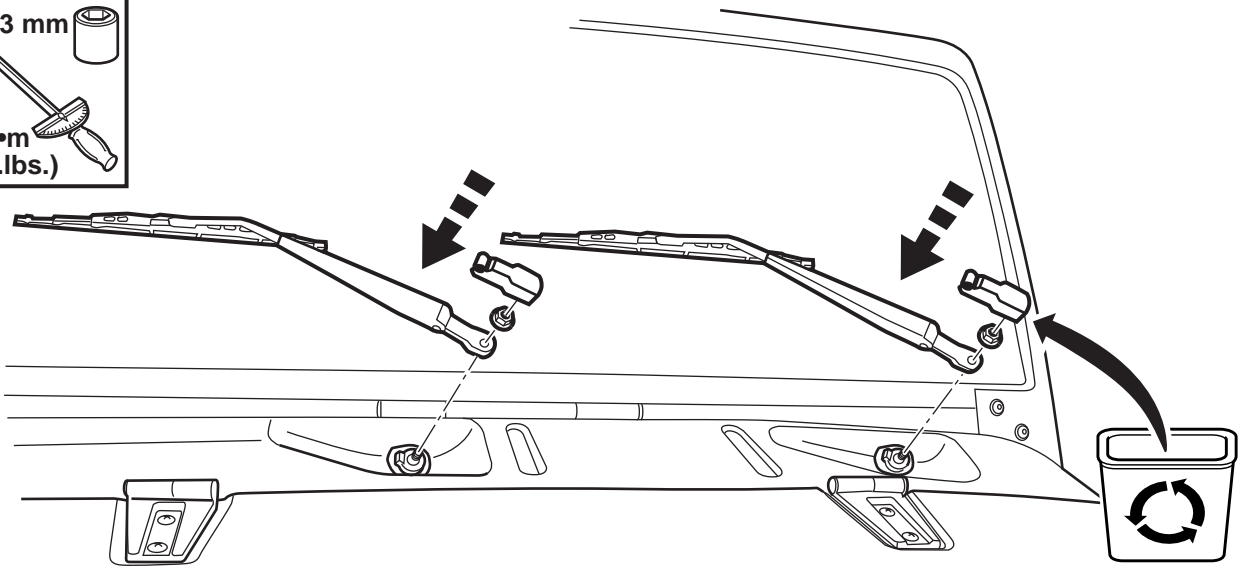
13



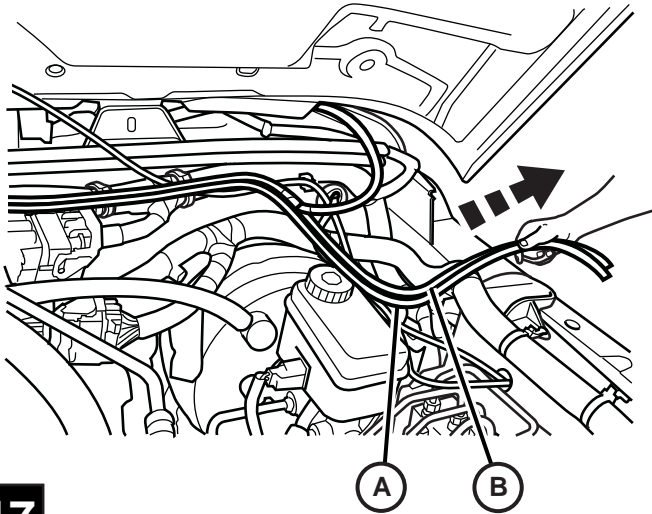
14



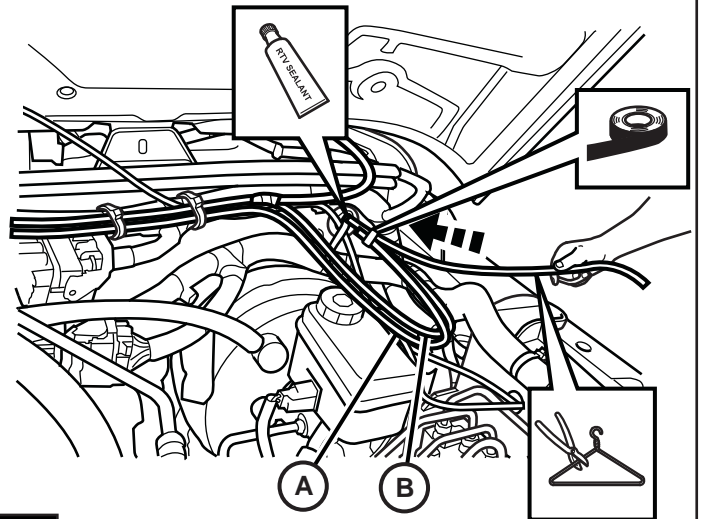
15



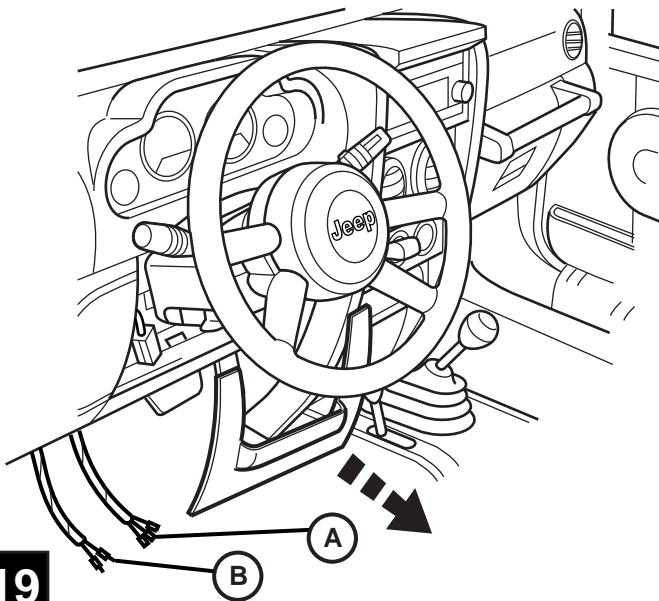
16



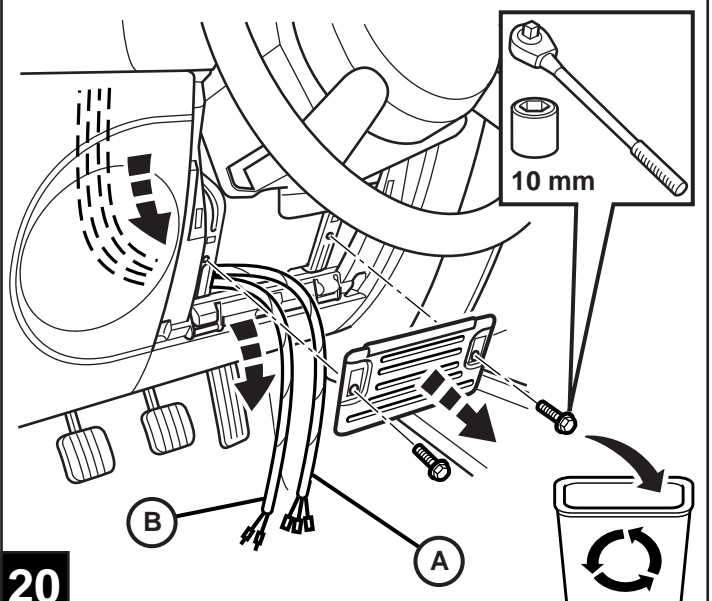
17



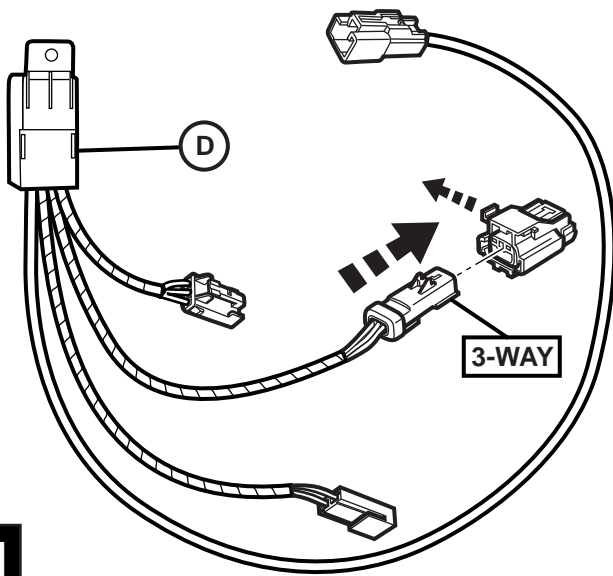
18



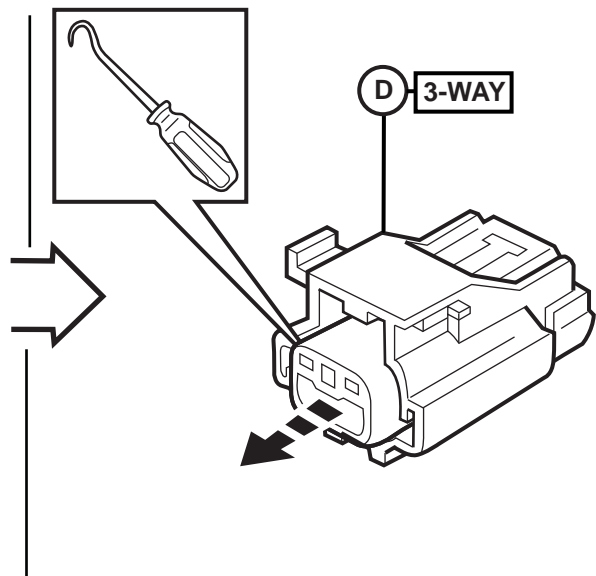
19

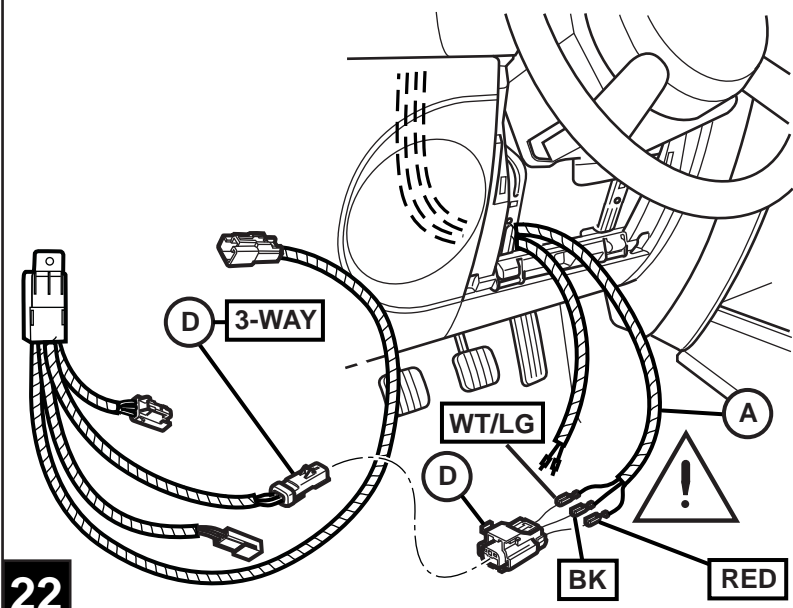


20

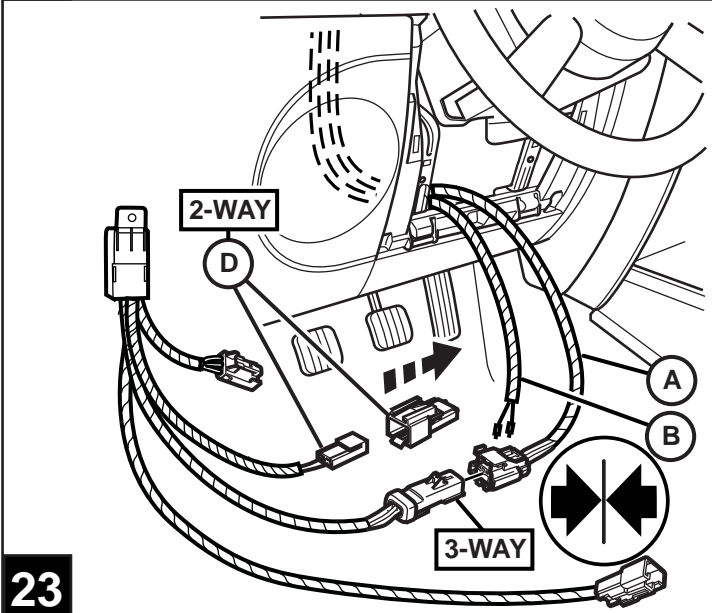
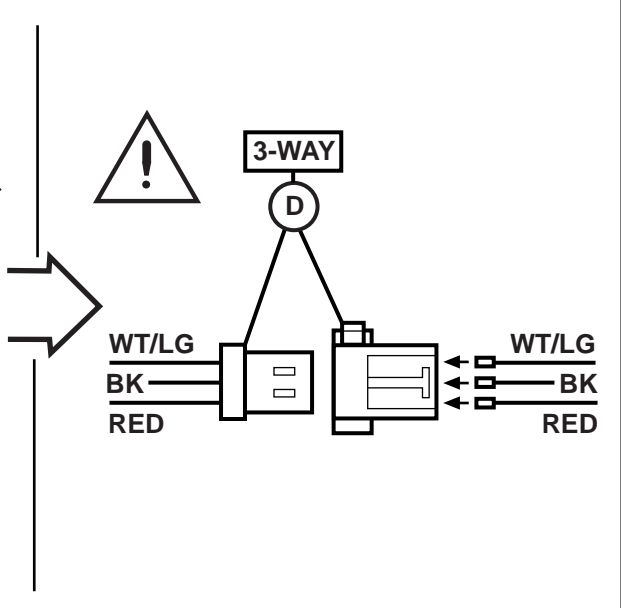


21

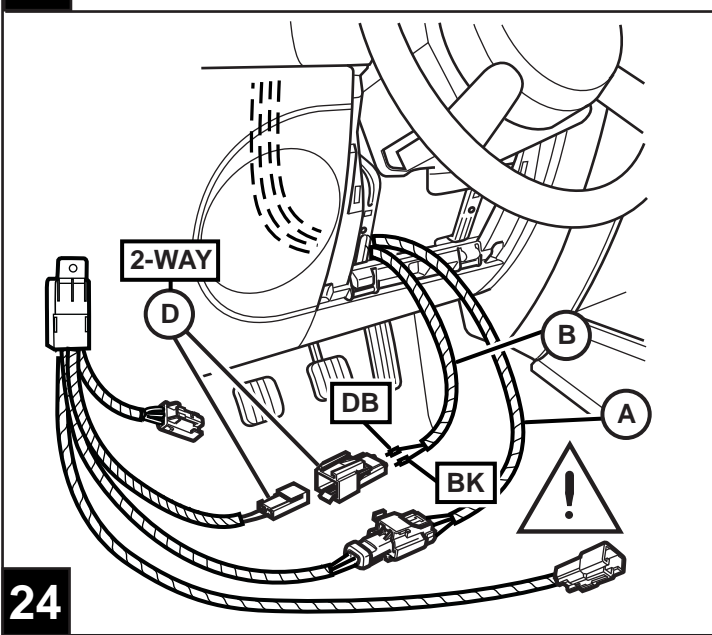
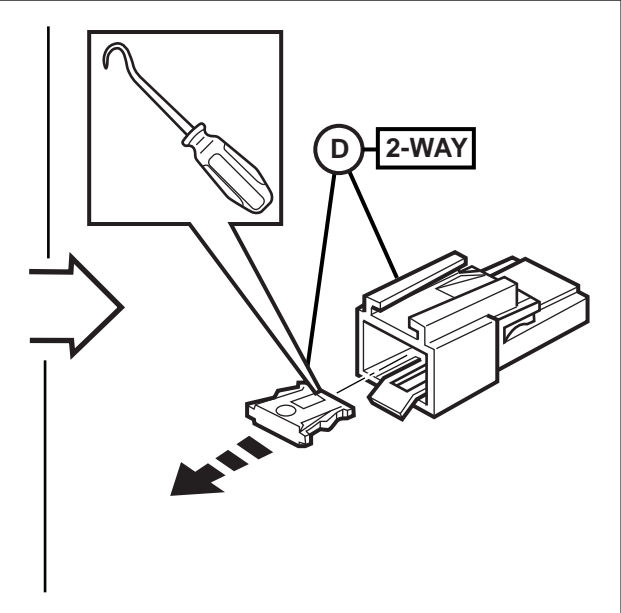




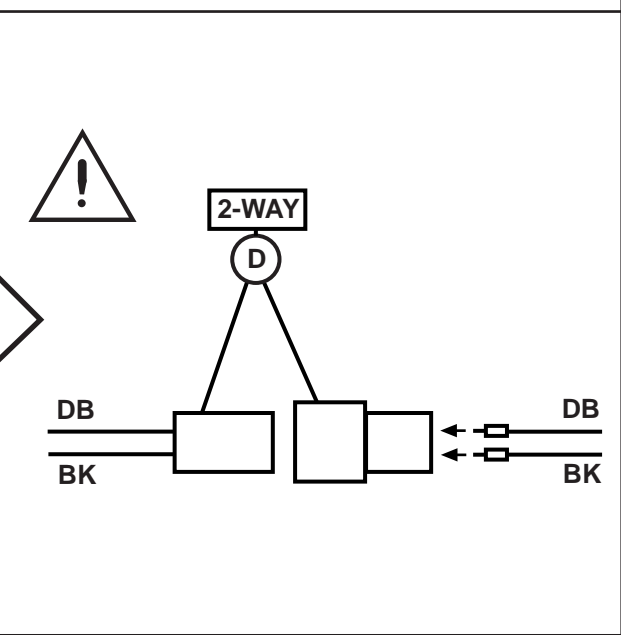
22

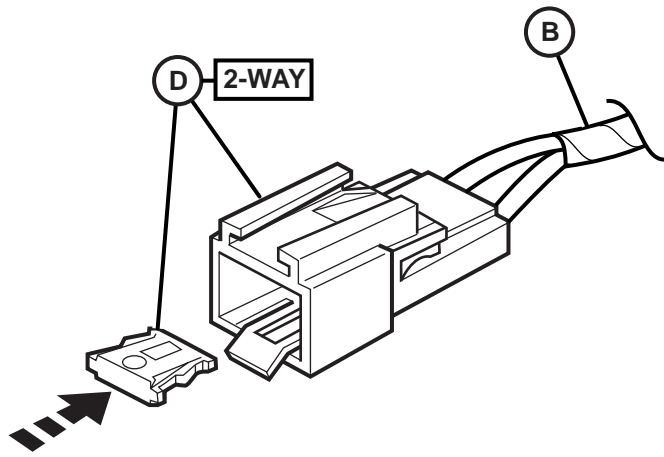


23

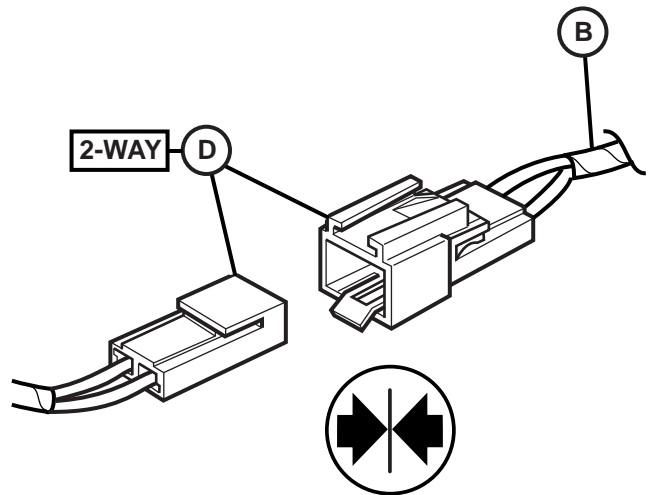


24

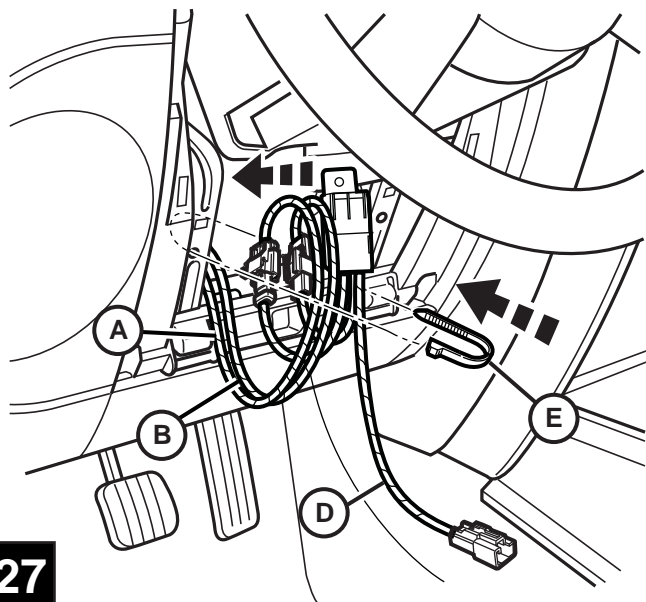




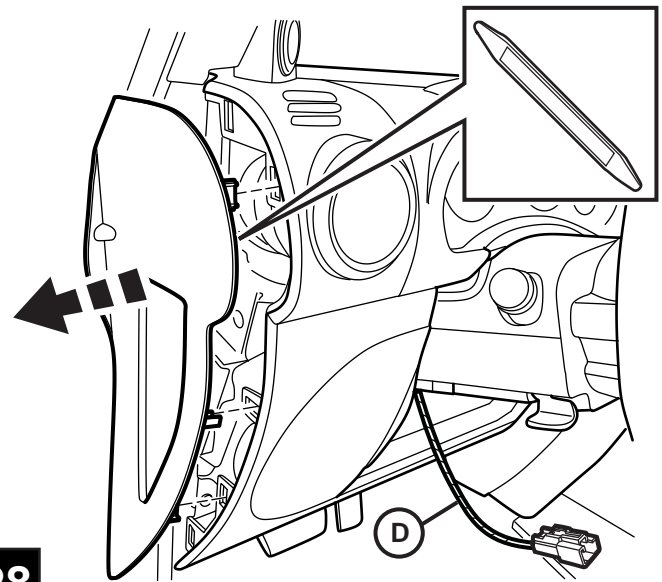
25



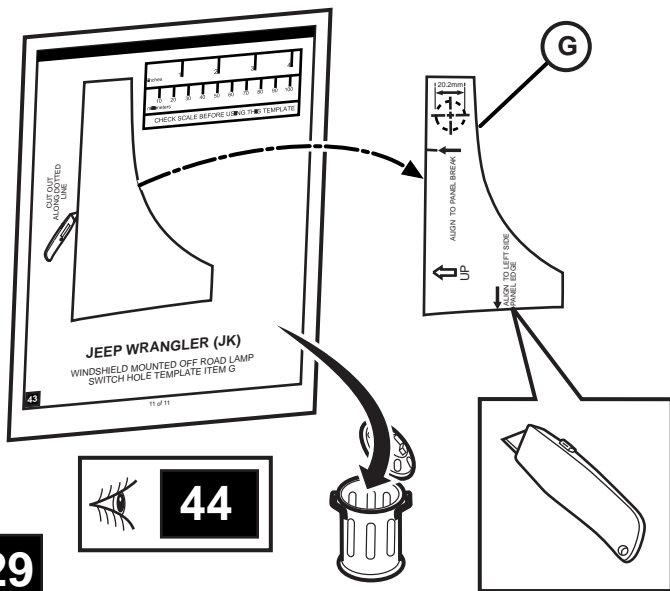
26



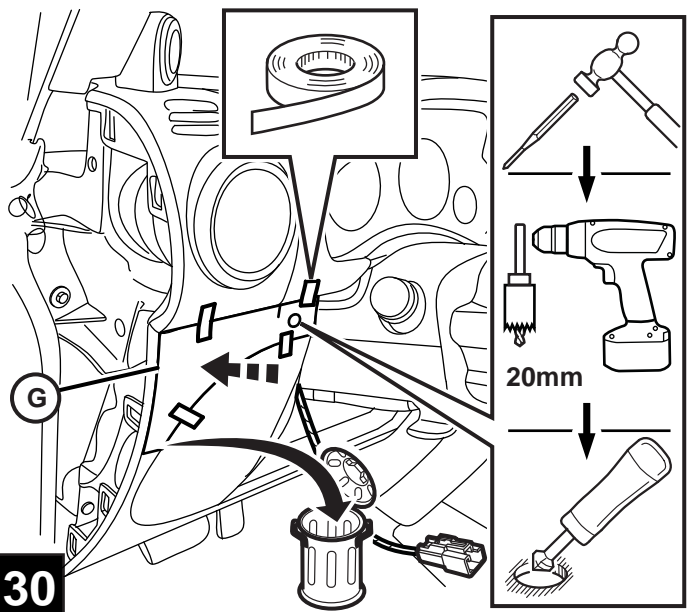
27



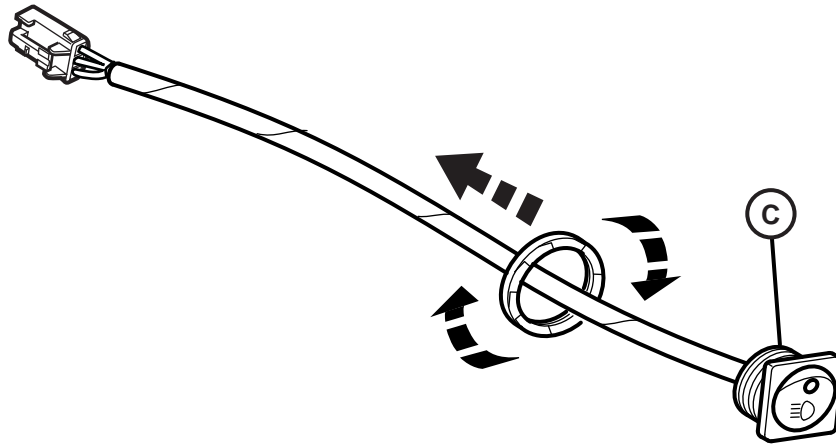
28



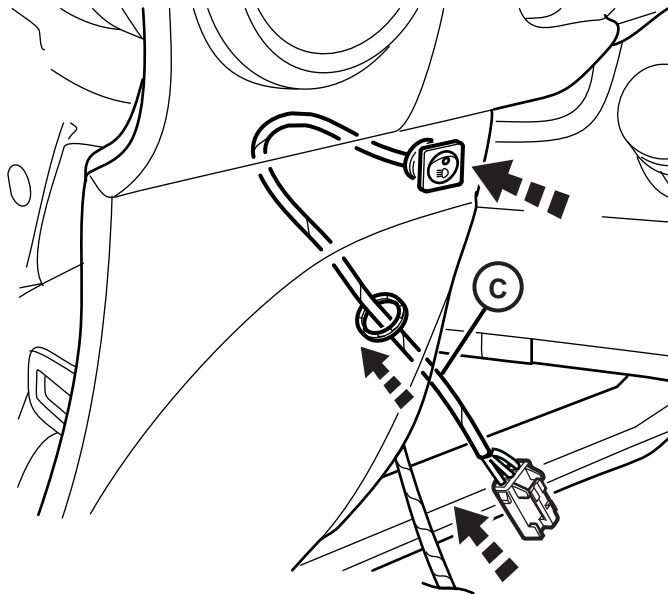
29



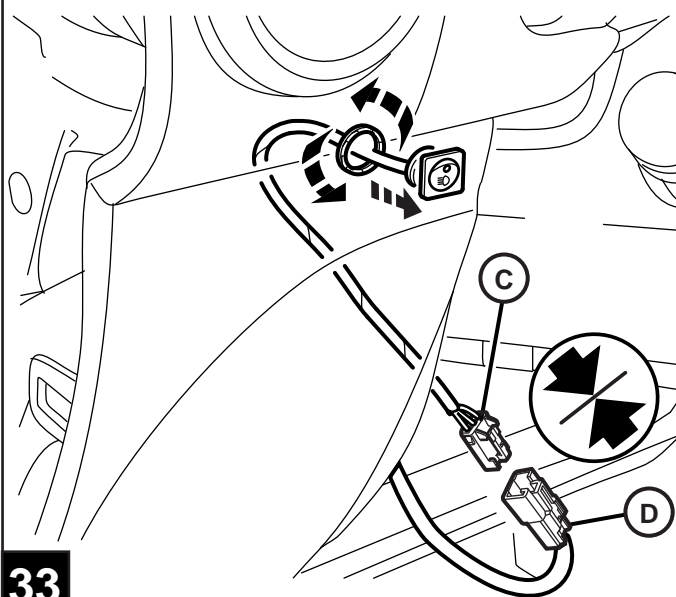
30



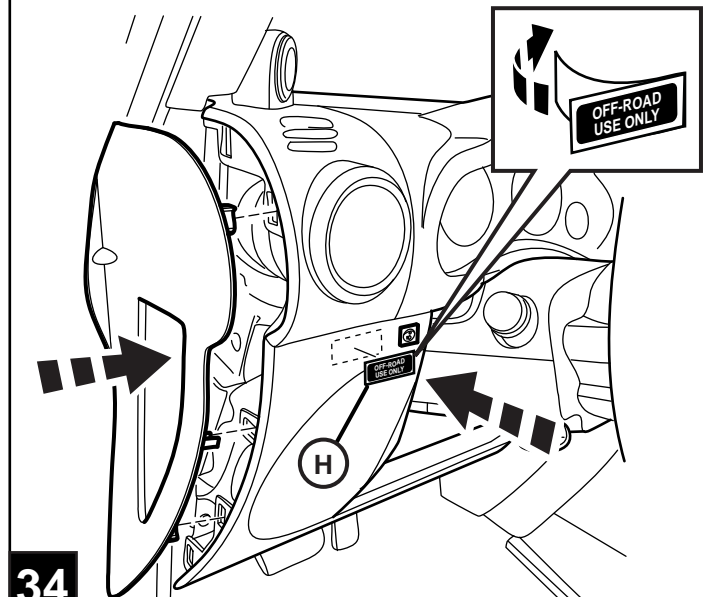
31



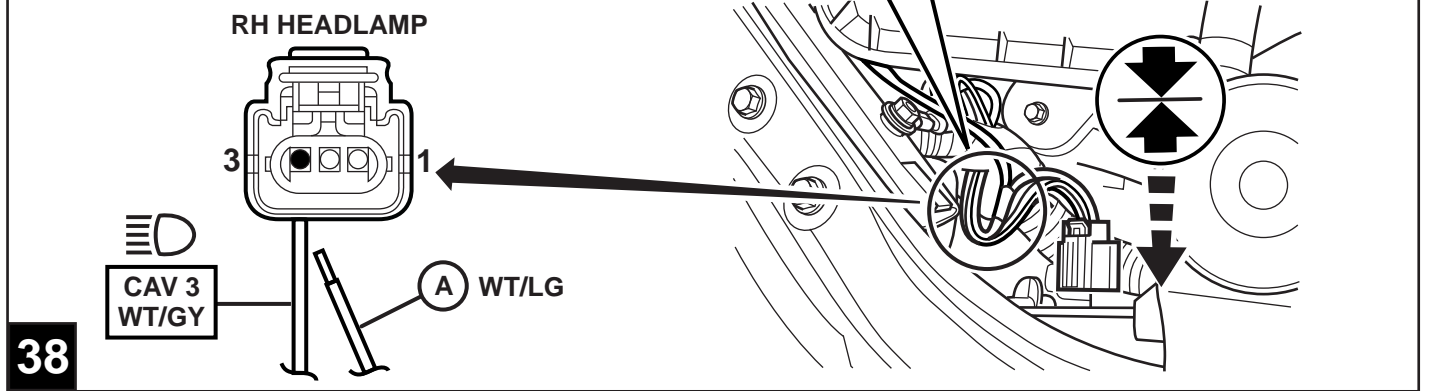
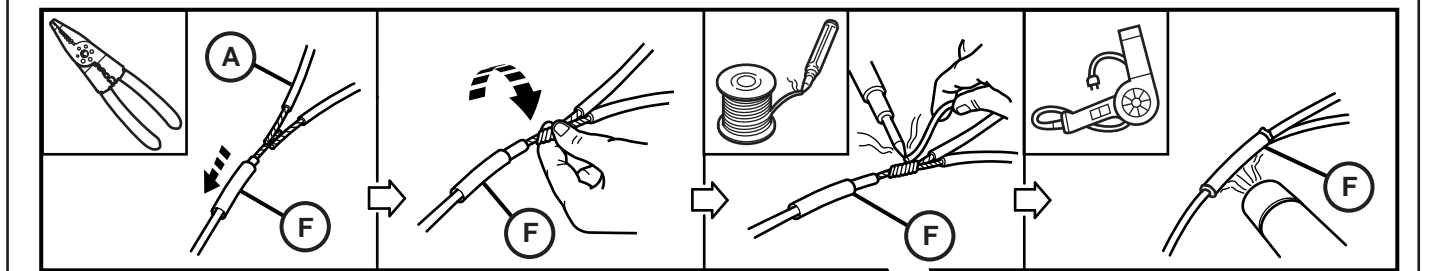
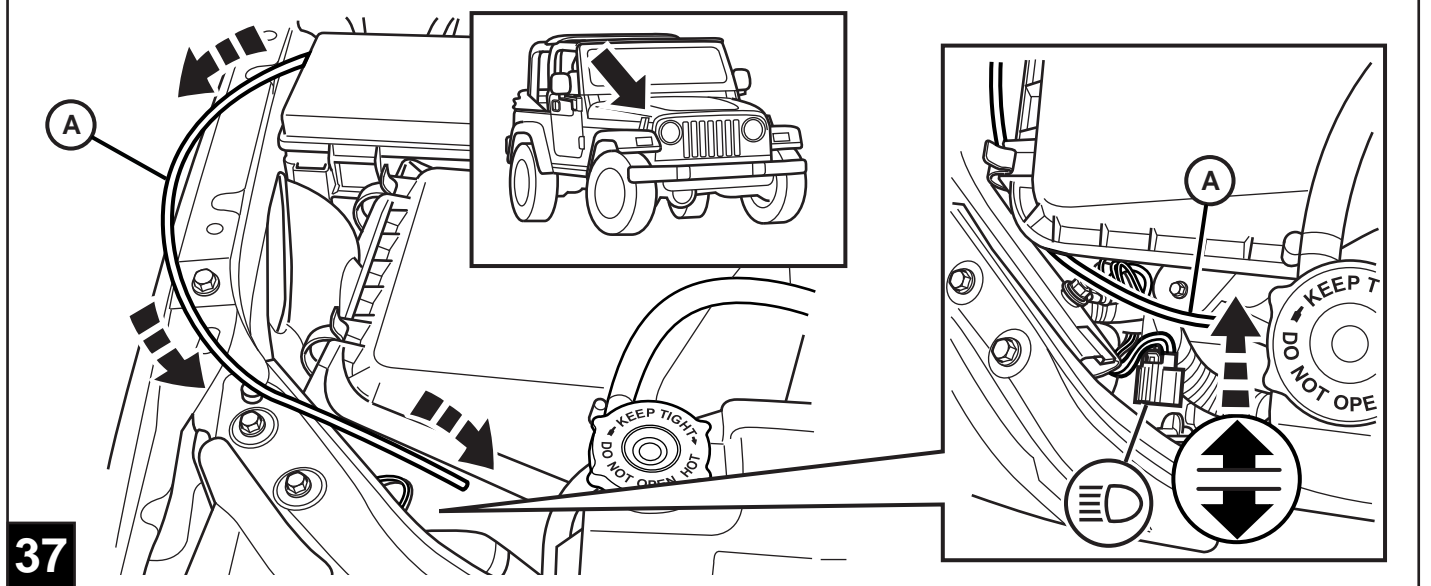
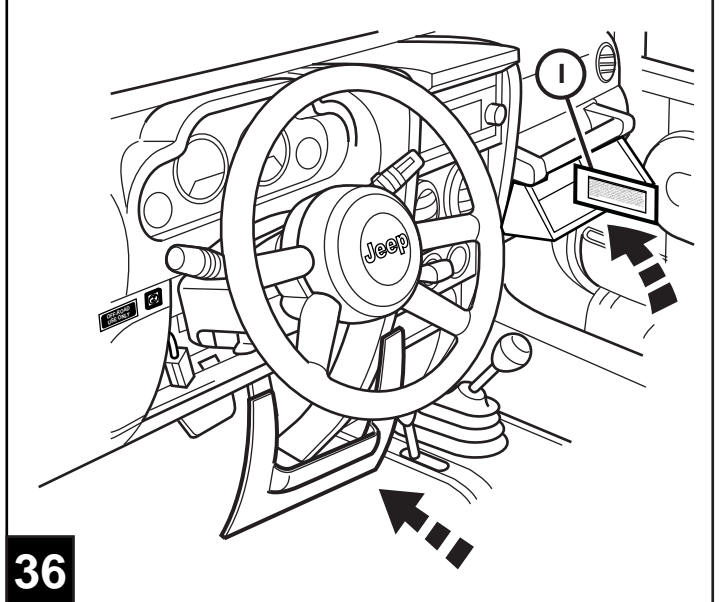
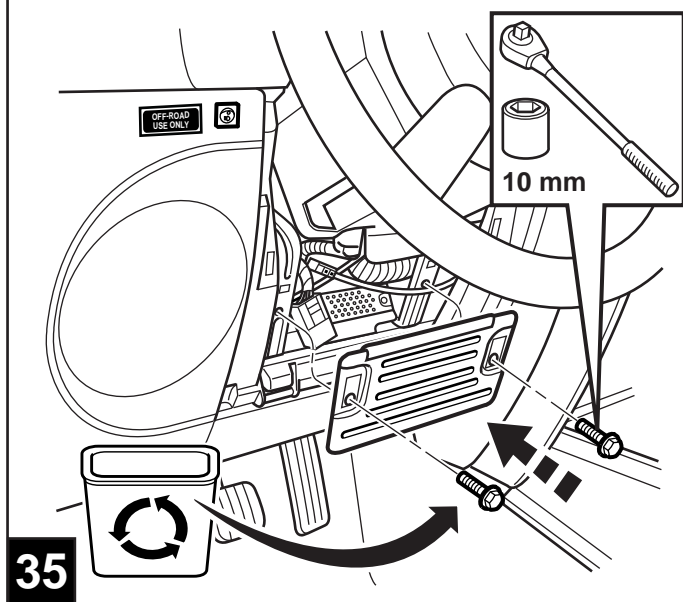
32

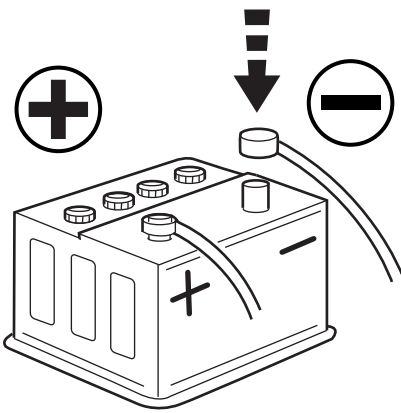


33

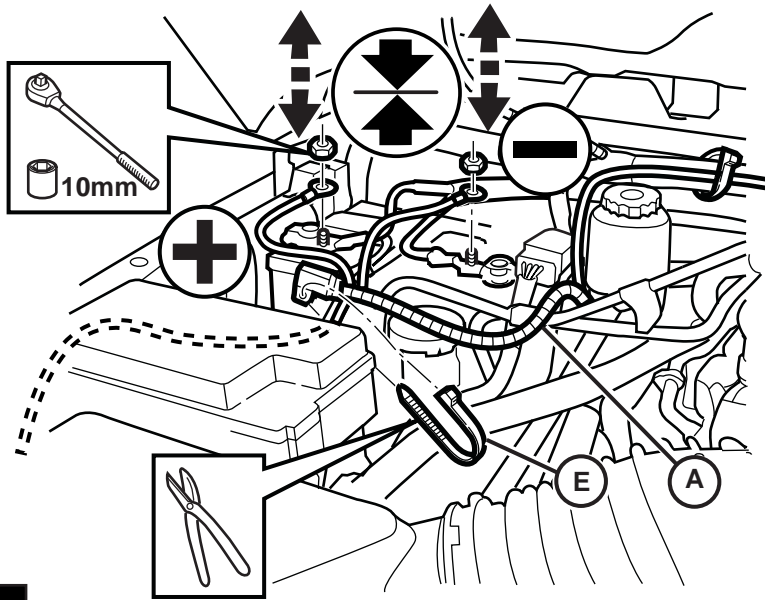


34

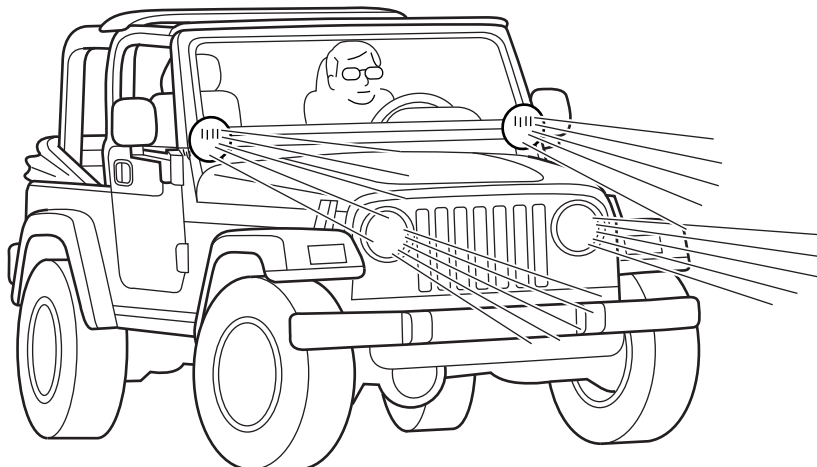
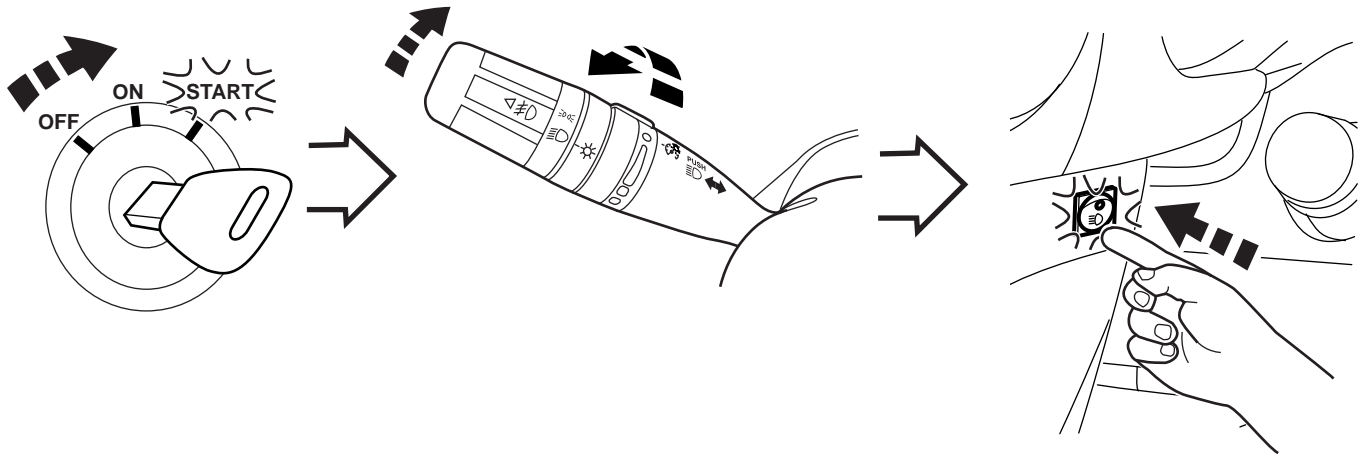




39

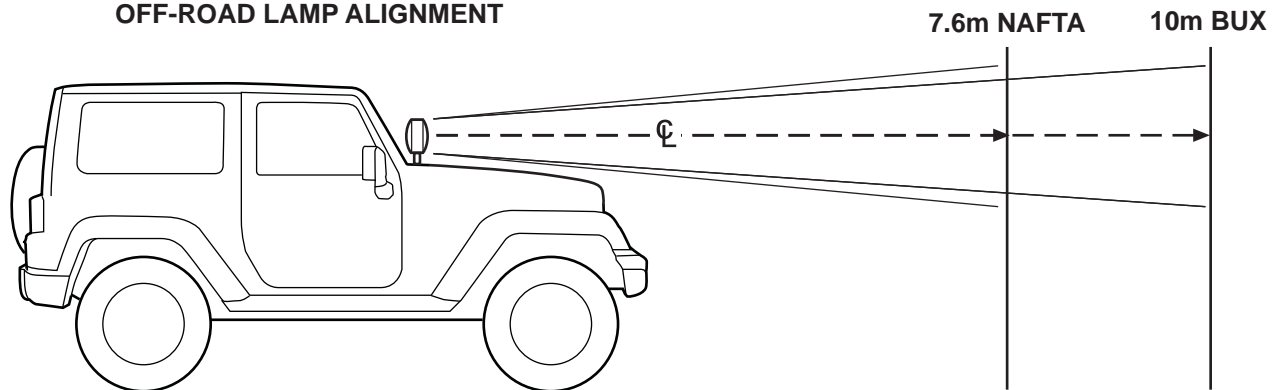


40



41

OFF-ROAD LAMP ALIGNMENT

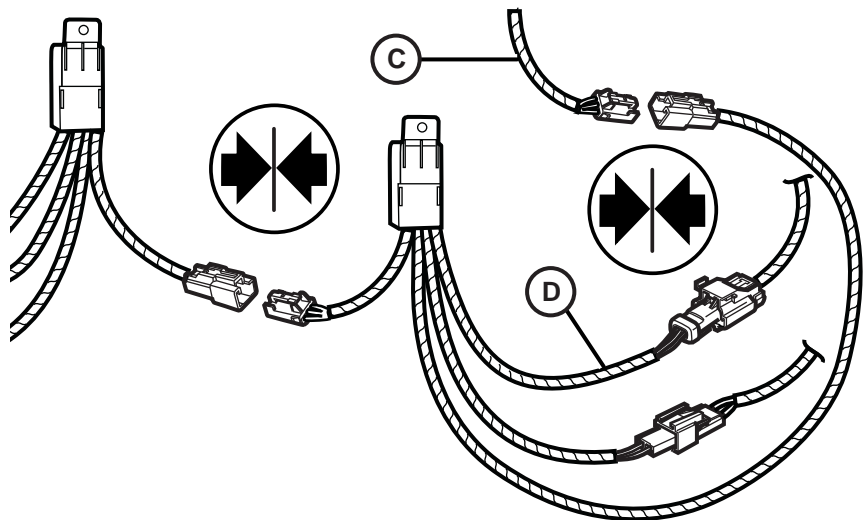


42

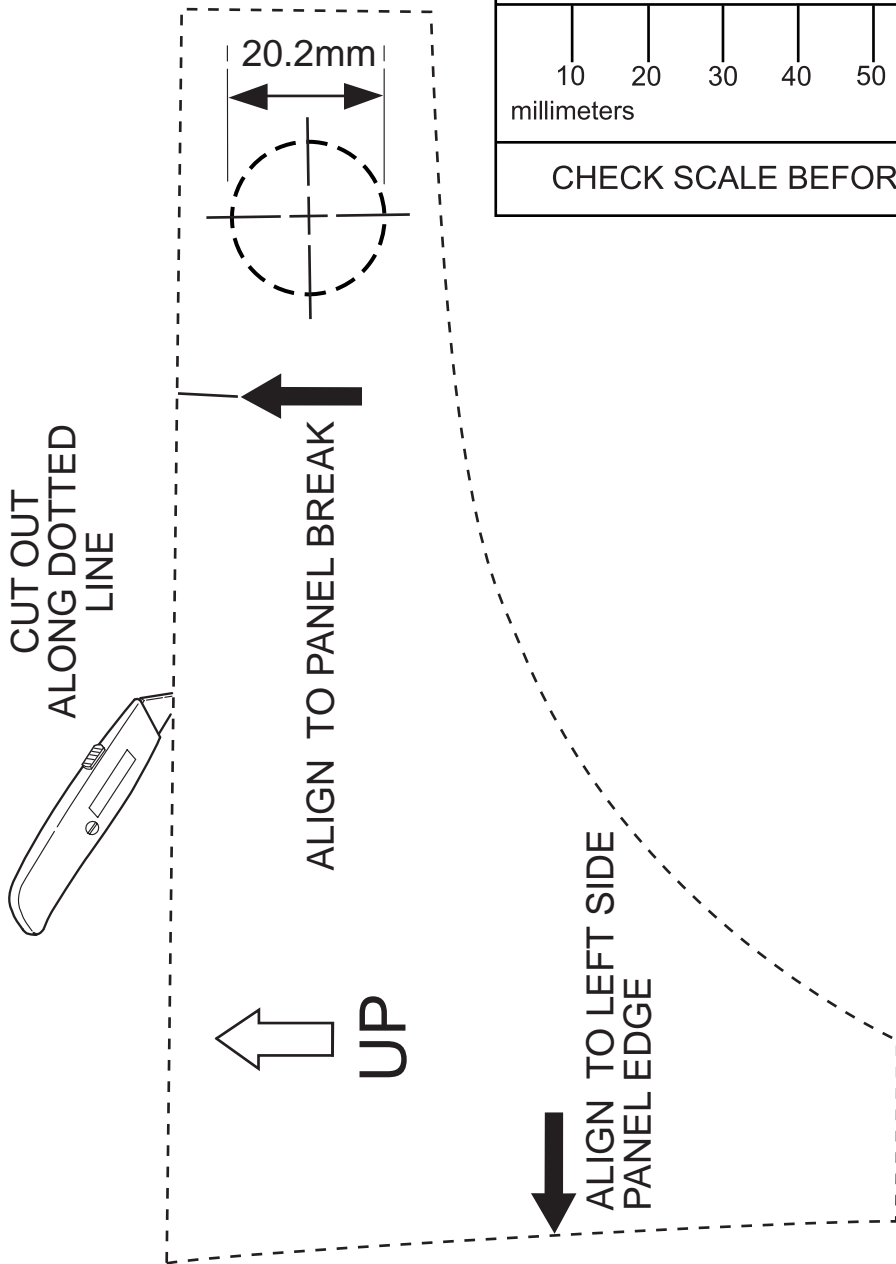
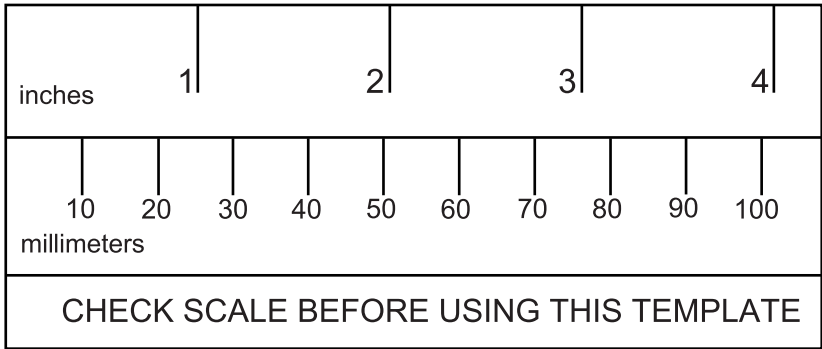
NOTE: When equipping vehicle with second off-road light kit, connect harnesses as shown. Tie strap to existing light kit harness.

NOTA: Cuando equipe el vehiculo con un segundo juego de luces todo terreno, conecto los mazos de cables como se indica. Ajuste la correa al mazo de juego de luces existente.

REMARQUE: lors de l'installation d'un second kit d'éclairage tous terrains sur le véhicule, connecter le faisceau comme illustré. L'assujettir sur le faisceau de kit d'éclairage existant.

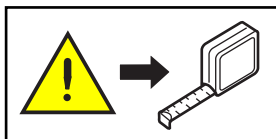


43



JEEP WRANGLER (JK)

WINDSHIELD MOUNTED OFF ROAD LAMP SWITCH HOLE TEMPLATE ITEM G



DOUBLE CHECK TEMPLATE MEASUREMENTS AFTER PRINTING, TO ENSURE THAT THE REFERENCE IS ACCURATE.