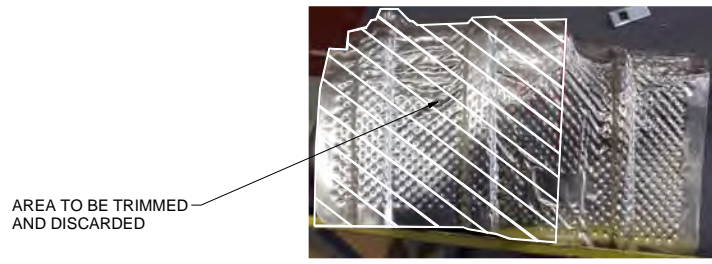
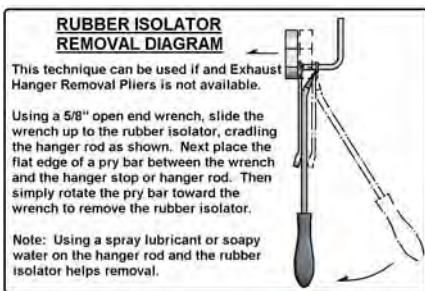
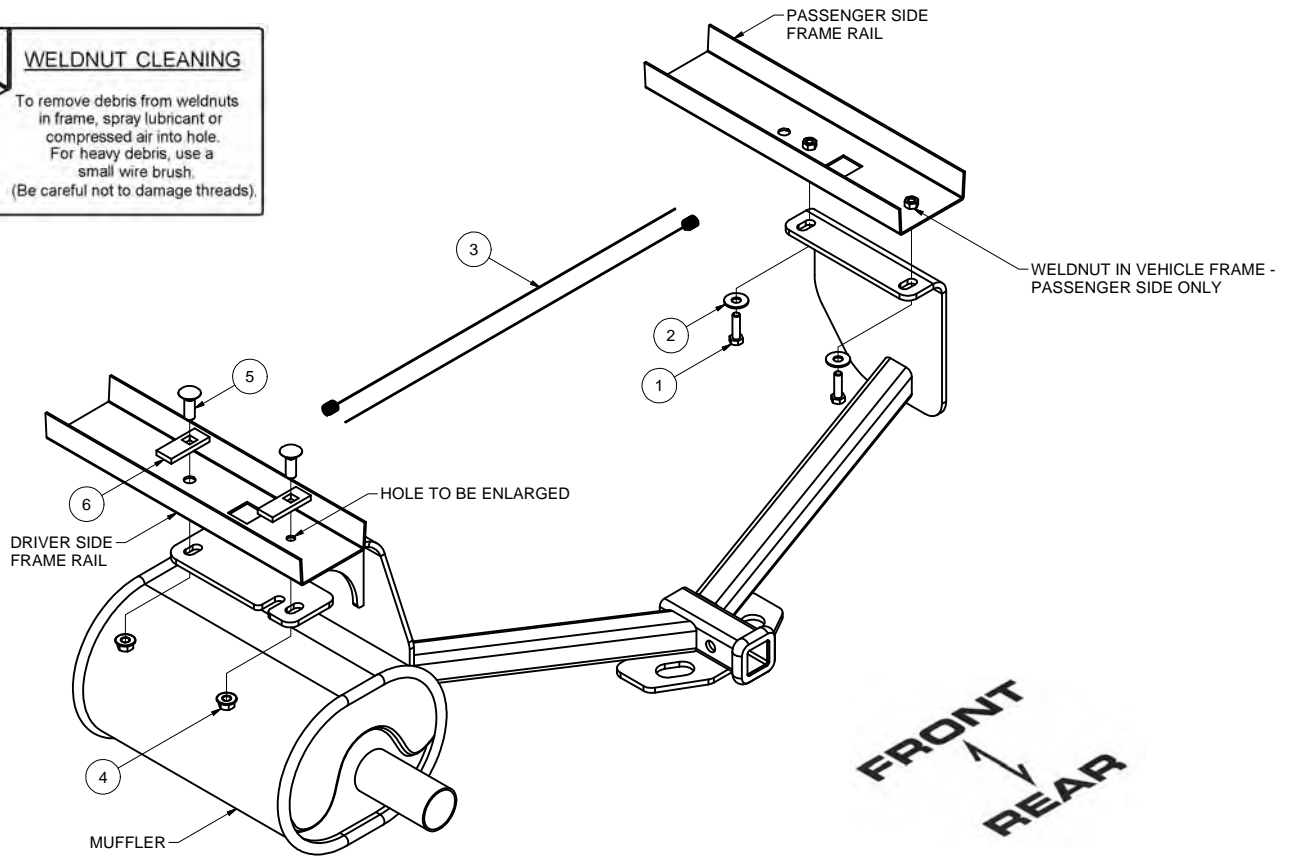
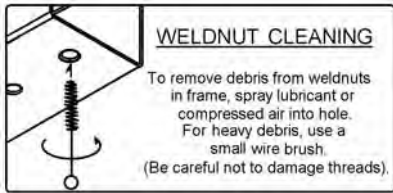




FIAT 500 BIKE CARRIER RECEIVER KIT

Parts List			
ITEM	QTY	PART NUMBER	DESCRIPTION
1	2	M8 - 1.25 x 30	HEX HEAD BOLT
2	2	3/8"	CONICAL TOOTHED WASHER
3	2	7_16 FISHWIRE	7/16" FISHWIRE
4	2	7/16-14	HEX FLANGE NUT
5	2	7/16-14 x 1 1/4	CARRIAGE BOLT
6	2	CM-SP2	.250 x .88 x 2.25" SQUARE HOLE SPACER

TOOLS REQUIRED
RATCHET
PRY BAR
13mm SOCKET
5/8" SOCKET
TORQUE WRENCH
7/16" DRILL BIT
POWER DRILL



HEAT SHIELD TRIM DIAGRAM

INSTALLATION INSTRUCTIONS:

- 1) Lower exhaust by removing rubber exhaust hanger from hanger rod, two places. Remove heat shield by removing four (4) hex nuts. **Note:** Heat shield will be modified and reinstalled using two (2) hex nuts.
- 2) If vehicle is equipped with a spare tire, remove two bolts which attach spare tire control box to passenger side frame rail. Remove square rubber plug from frame rails to reveal square holes in frame. Return plugs to vehicle owner. **Note:** If vehicle does not have spare tire option, weldnuts can be found by removing protective tape from frame rail.
- 3) Using a 7/16" drill bit, enlarge hole at end of driver side frame rail, paint hole. On driver side, fishwire 7/16" carriage bolts and spacer blocks up through square hole and down through mounting holes as shown.
- 4) Raise hitch into position, taking care not to push carriage bolts back into frame and sandwiching hitch passenger side plate between frame rail and spare tire control box, if equipped. Install M8 hex bolts and 7/16" conical toothed washers into weldnuts in passenger side frame rail. Install flanged hex nuts onto carriage bolts in driver side frame rail. Torque all 7/16" fasteners to 50 lb-ft (68 N•m); Torque all M8 fasteners to 18 lb-ft (25 N•m).
- 5) Trim heat shield as shown in trim diagram and install heat shield using two (2) hex nuts removed in Step 2 and discard the other two (2) hex nuts. Raise exhaust back into position by reattaching rubber exhaust hangers to hanger rods.