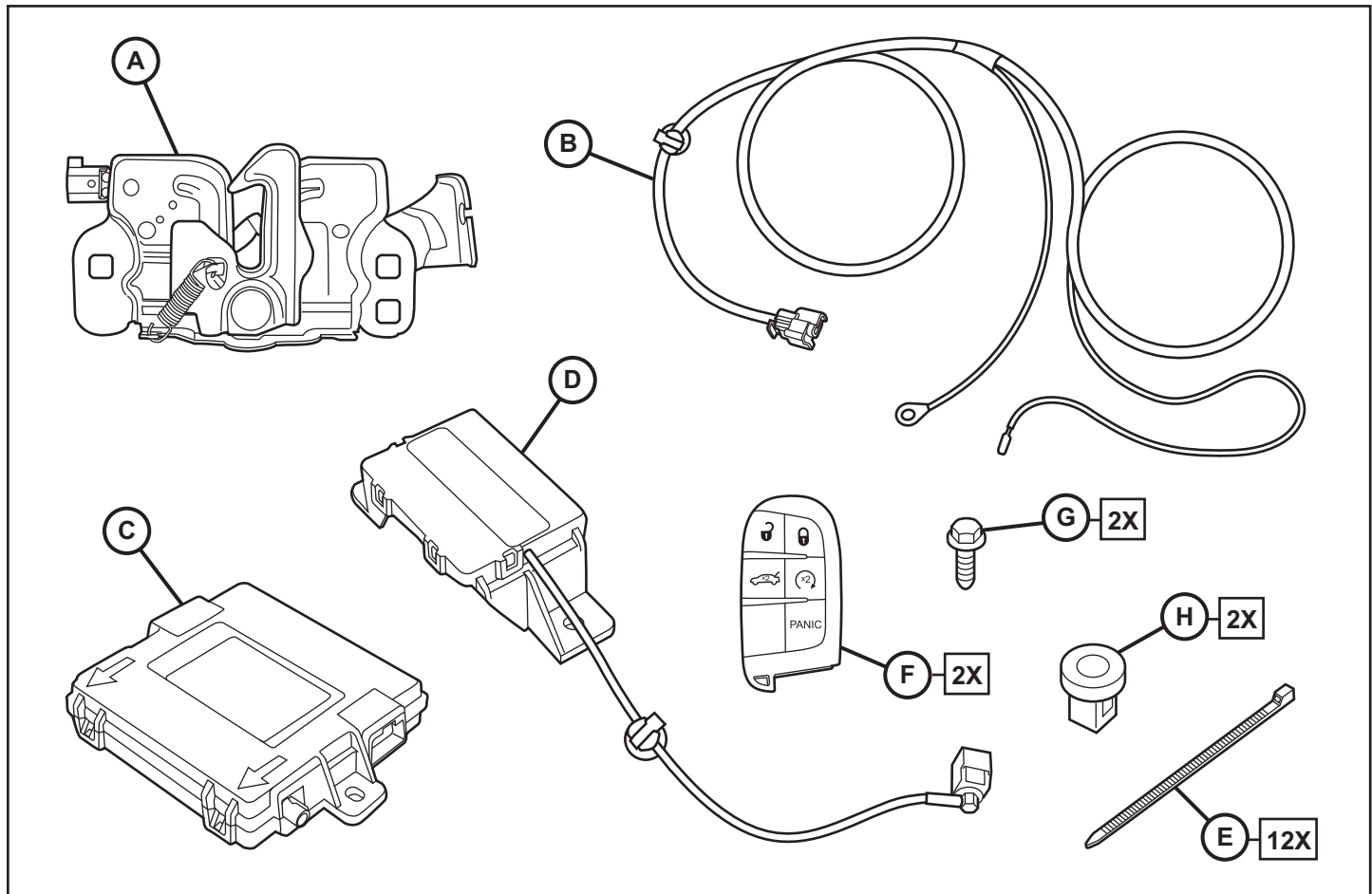




CHRYSLER 200 REMOTE START

www.mopar.com



CALL OUT	DESCRIPTION	QUANTITY
A	Hood Latch Assembly	1
B	Hood Switch Harness	1
C	RF Hub Module	1
D	Remote Start Antenna	1
E	Cable Tie	12
F	Ignition Keyfob	2
G	Screw	2
H	Snap-In Plastic Nut	2

TOOLS REQUIRED				
Socket Wrench	Metric Socket Set	Phillips Screwdriver	Trim Stick	
Torx Driver Bits	Tape	Wire Cutters	RTV Sealant	Pry Tool
Drill Motor		1/4" Drill		

NOTE: IT IS RECOMMENDED TO READ THE INSTRUCTIONS THOROUGHLY BEFORE INSTALLING THIS ACCESSORY.

CAUTION: XBM remote start can ONLY be installed on vehicles that have the following factory options: Automatic Transmission, Remote Keyless Entry and Immobilizer. The XBM sales code must be added to the database and the Restore BCM Proxi Configuration (using a diagnostic scan tool) must be performed prior to installing the new RFHM module. Failure to do so will render the RFHM module remote start function inoperative. The technician should wait 1/2 hour between adding XBM sales code in DealerConnect before performing the Restore BCM Proxi Configuration. In the interim, the technician can install all other components except the RFHM module. The wiTECH software level must be at the latest release to perform this procedure.

ADD SALES CODE TO VEHICLE IN DealerCONNECT

1. Log on to <https://dealerconnect.chrysler.com>.
2. In the "Service tab"- "Warranty Administration" box - "Vehicle Option Updates" screen, enter the vehicle VIN and add the sales code XBM (Remote start) as a "Dealer Installed Option".
3. Confirm that the new sales code has been successfully added to the VIN.

PROCEDURE STEPS:

WARNING: To avoid serious or fatal injury on vehicles equipped with airbags, disable the Supplemental Restraint System (SRS) before attempting any steering wheel, steering column, airbag, seat belt tensioner, impact sensor or instrument panel component diagnosis or service. Disconnect and isolate the battery negative (ground) cable, then wait two minutes for the system capacitor to discharge before performing further diagnosis or service. This is the only sure way to disable the SRS. Failure to take the proper precautions could result in accidental airbag deployment.

RECORD THIS DATA BEFORE DISCONNECTING THE BATTERY:

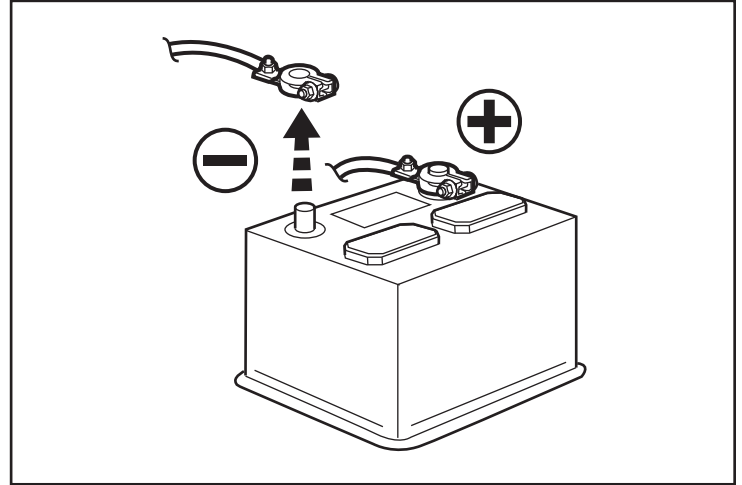
1. With the WiTECH diagnostic application, perform the following steps:
2. Select the "RF HUB MODULE."
3. Select the "Data" tab.
4. Write down the names and data values for each of the Tire Sensor ID's. This will be needed later in the installation procedure.

Obtain 4-digit temporary PIN number from authorized dealership personnel. This PIN is only valid for 12 hours. If older than that, you must obtain a new PIN.

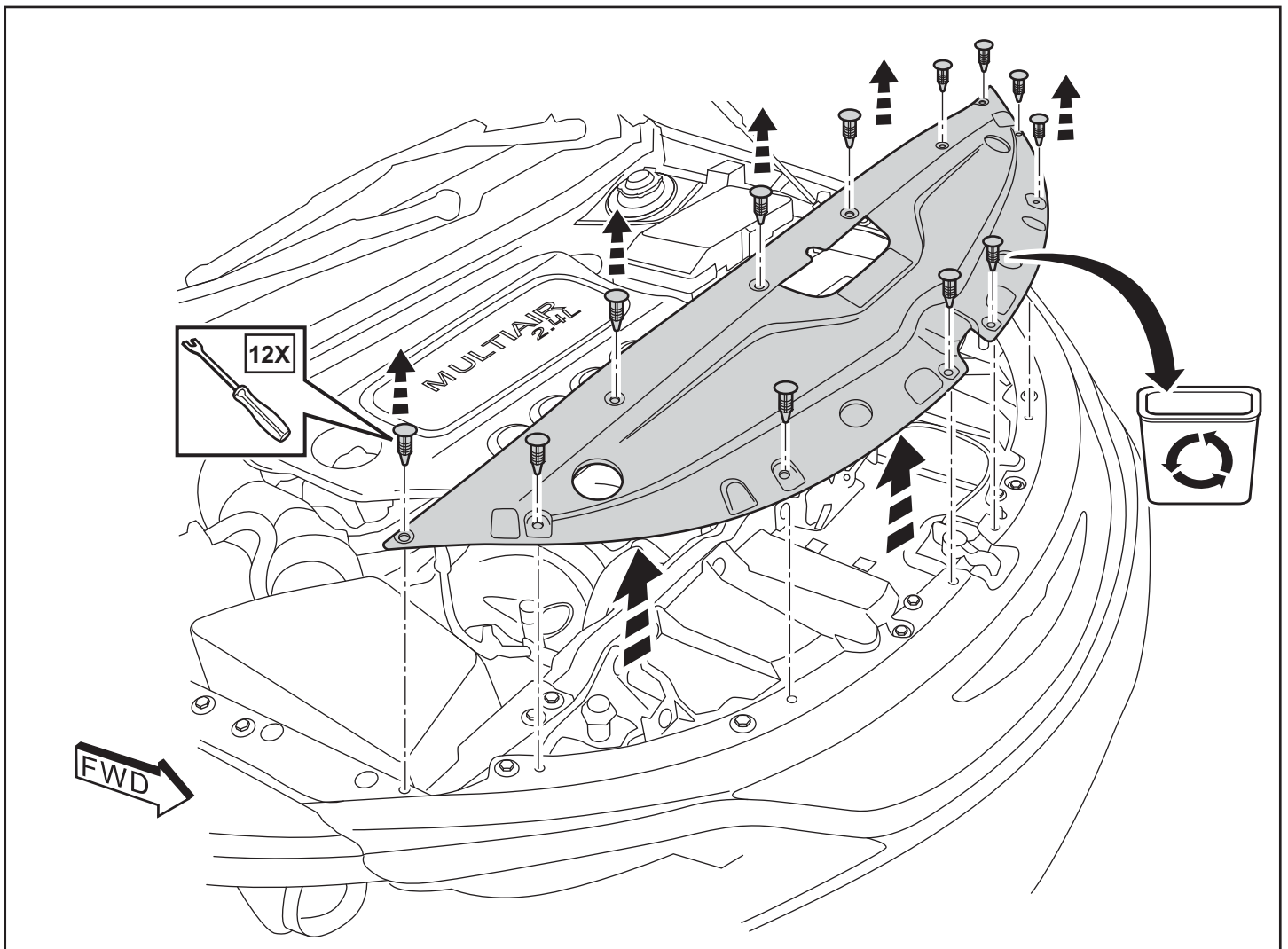
RESTORE BCM PROXI CONFIGURATION

1. With the WiTECH tool connected to both the Internet (via Ethernet port or wireless connection) and the vehicle, follow the steps below:
2. Place the ignition into RUN using one of the existing FOBs.
3. Use the WiTECH tool to run "Restore BCM Proxi Configuration" which can be found in the VEHICLE PREPARATION tab of the main topology screen. Following the prompts will upload the new vehicle PROXI configuration to the BCM.
4. Continue following the prompts on the WiTECH tool until the application restarts and takes you to the Connection Wizard screen.
5. Close WiTECH tool, turn ignition off, then proceed to disconnect battery.

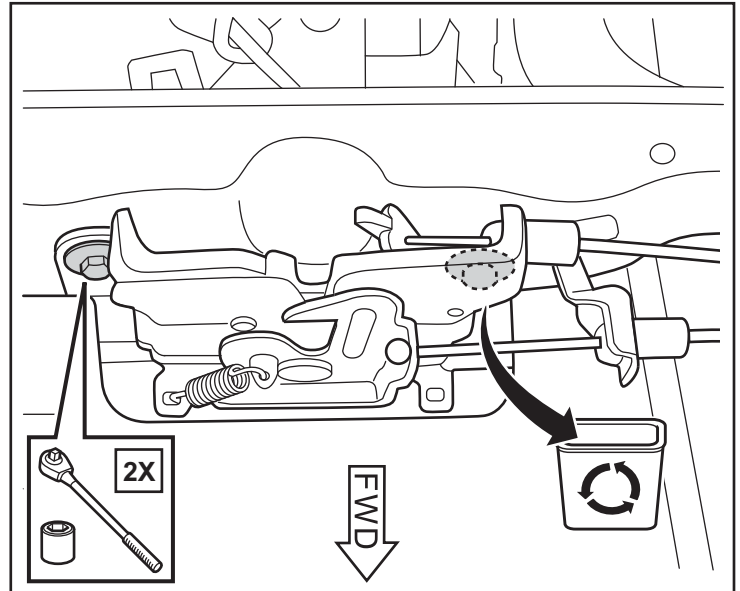
1. Open hood
2. Loosen one (1) 10mm bolt and disconnect negative battery cable.
3. If car has START/STOP sales code (XBU), skip to Step 22.



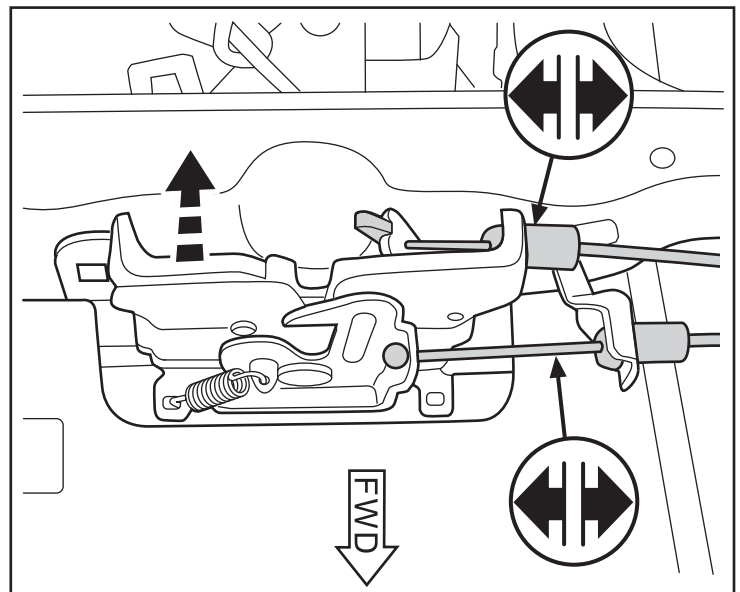
4. Carefully pry off twelve (12) panel clips from the radiator cover panel. Remove the panel.



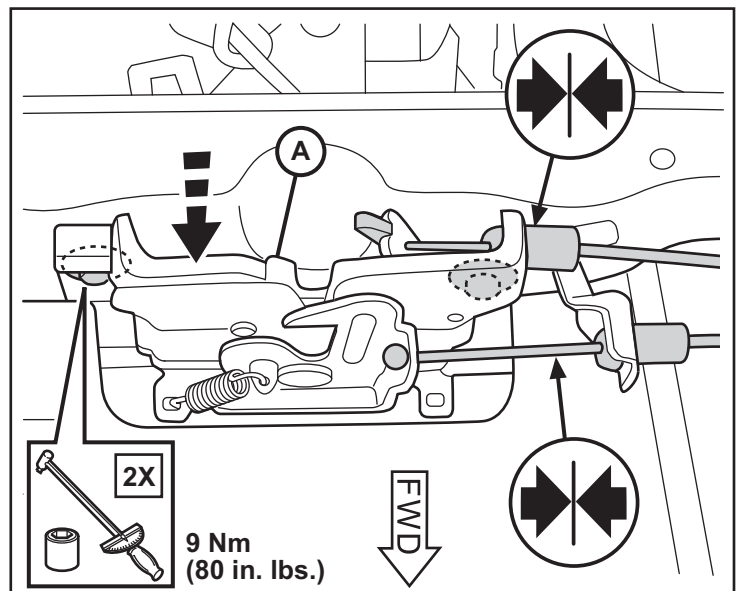
5. Use a grease pencil to mark the position of the hood latch on the radiator cross member. Remove two (2) hex bolts from the hood latch assembly.



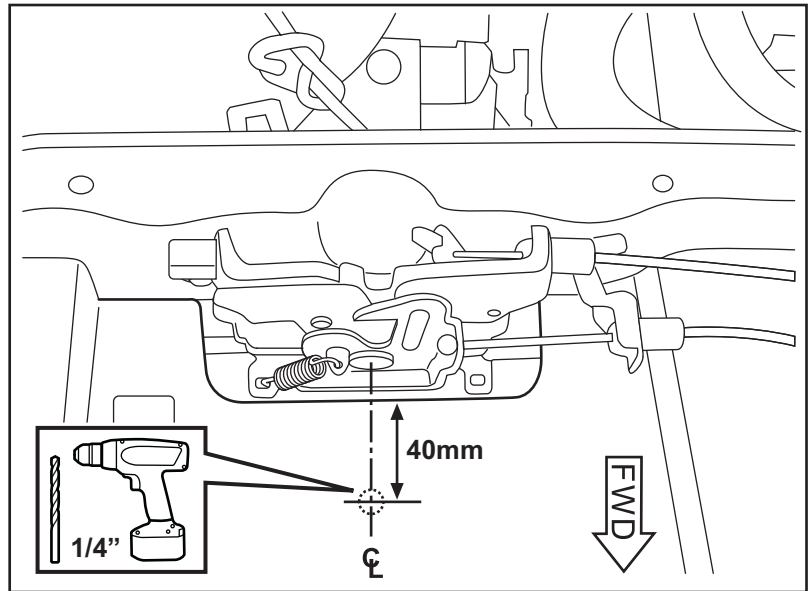
6. Disconnect and remove the hood latch release cables. Remove the hood latch assembly.



7. Reconnect the hood latch release cables to the back of the new hood latch assembly. Position the new hood latch (A) with the alignment marks and secure with two (2) hex bolts. Tighten bolts to 9 N m (80 in-lbs)



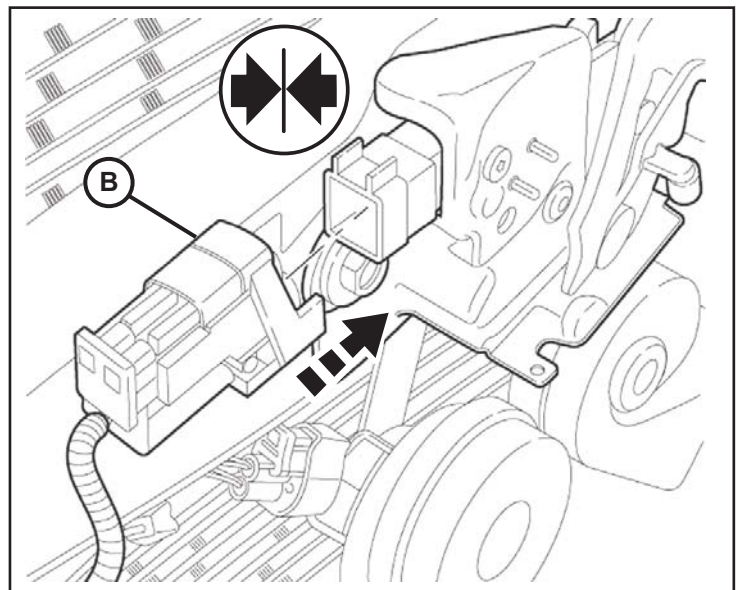
8. Mark a line centered on the latch pivot as shown. Measure and mark 40mm forward from the edge of the cover panel opening. Drill a 1/4 inch hole in the panel.



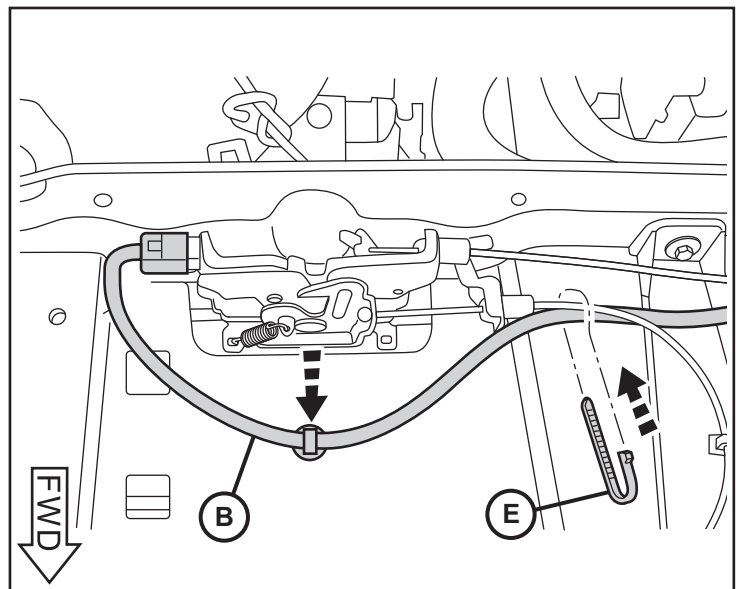
NOTE: A factory installed switch harness may be present. If so, detach the connector, route it under the crossmember and plug it in to the hood latch assembly, then proceed to Step 22.

If the harness is NOT present, follow steps 9 through 21

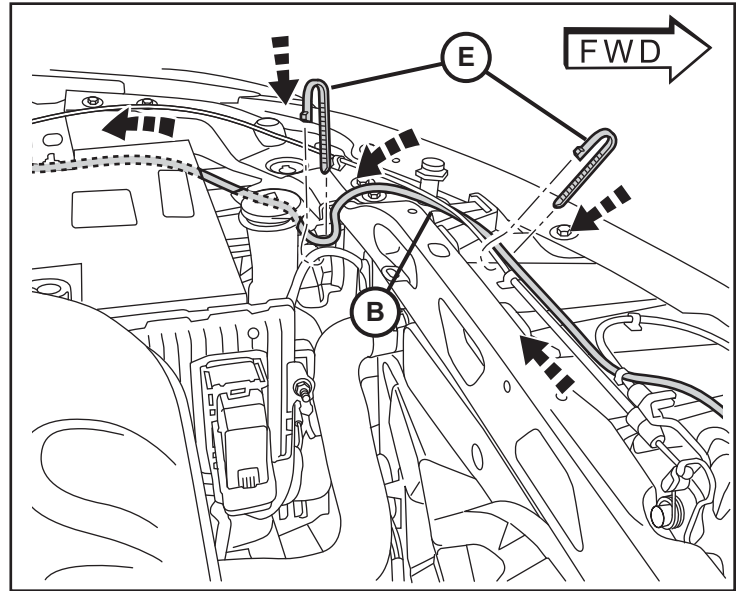
9. Connect hood switch harness (B) to the hood latch assembly.



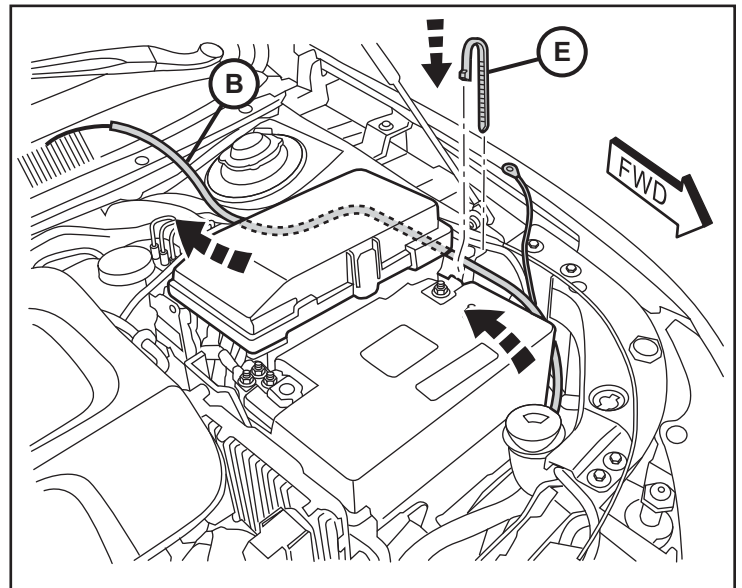
10. Install the retainer clip on harness (B) into the 1/4 inch hole drilled in the panel. Secure harness (B) to the latch cable with one (1) cable tie (E).



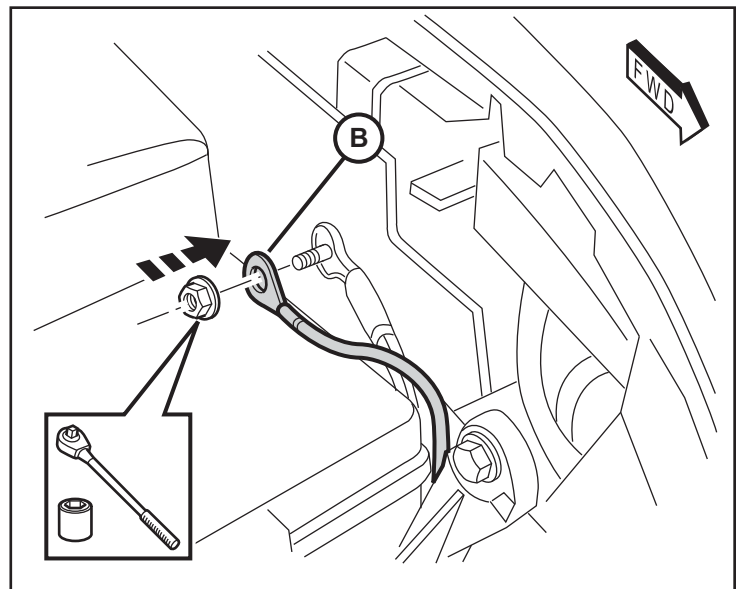
11. Route the switch harness (B) over towards the driver side along the existing latch release cable. Secure with cable ties (E). Cable ties should be installed no farther than 100mm apart.



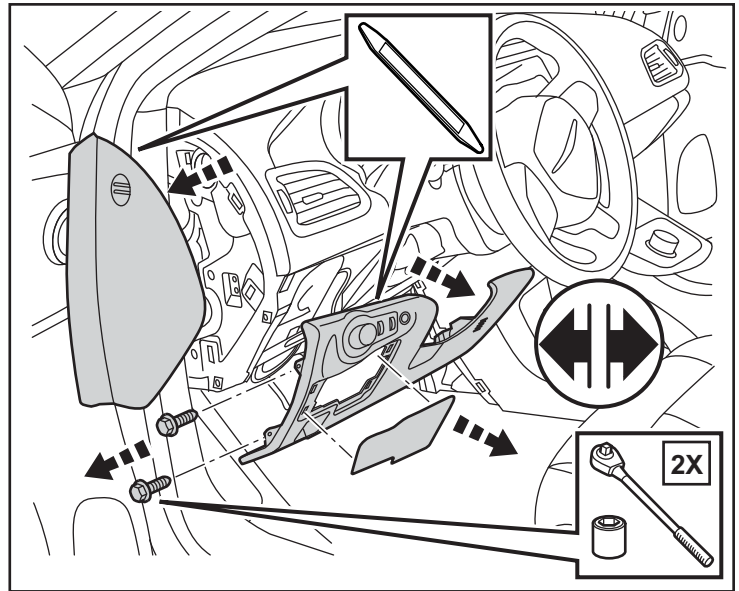
12. Route the switch harness (B) along the existing vehicle harnesses on the driver side and back towards the rear of the engine compartment. Tuck the harness behind the fuse box as shown.



13. At the fender edge next to the battery, remove the existing ground wire hex nut. Position the ground ring terminal from the supplied harness (B) and reattach the nut to secure. Tighten nut to 9 N m (80 in-lbs).

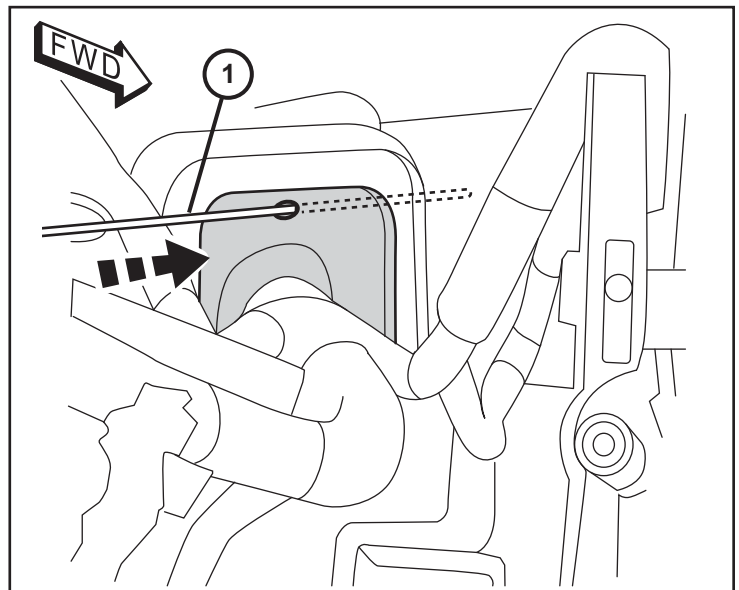


14. Carefully pry off the trim panel at the end of the dashboard on the driver side. Remove two (2) fasteners and pry off the lower trim panel under the steering column. Disconnect all wire harnesses from trim panel controls.

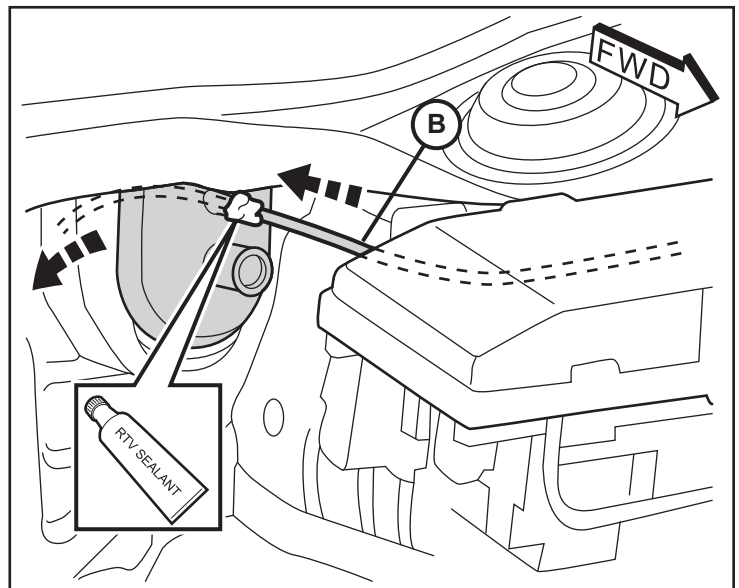


15. Locate the rubber grommet up under the dash in the driver footwell. Push a long fish wire (1) through the nipple opening from inside the cabin out to the engine compartment.

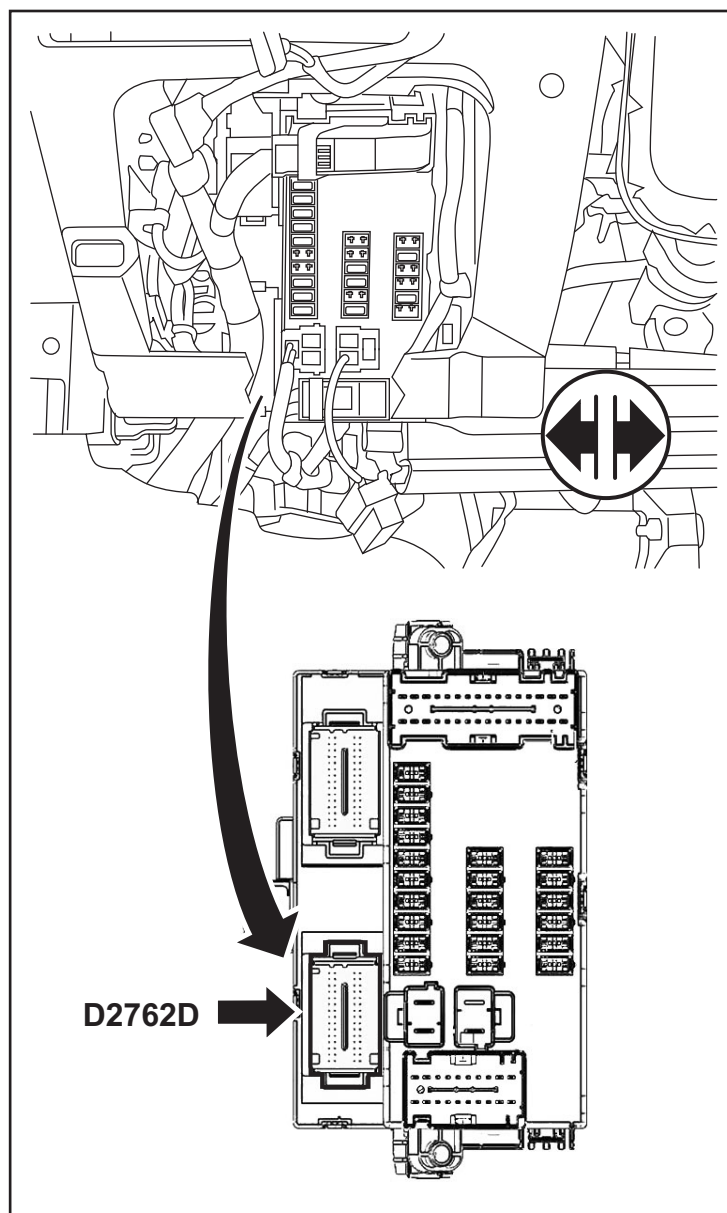
NOTE: Be careful not to damage vehicle wiring harness. Seek assistance with this step.



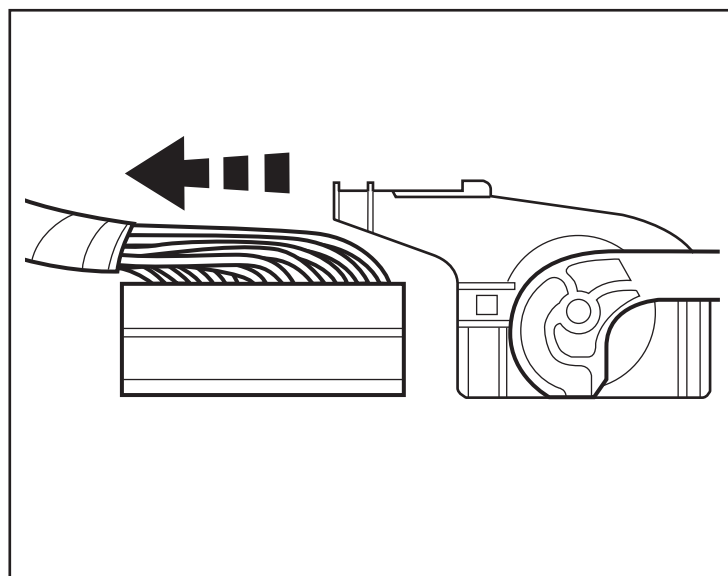
16. Secure the end of the harness to the fish wire with tape. Pull the end of harness (B) through to the inside driver footwell. Apply RTV sealant to the hood switch wiring convolute and pull the wiring into the nipple to seal the wiring at the nipple. If inaccessible from the outside, apply RTV Sealant to rubber grommet from inside cabin. The engine is not fully shown in this view to help clarify the location of the rubber grommet. Coating the wire with a lubricant such as silicone spray will help the wire to pass through the grommet.



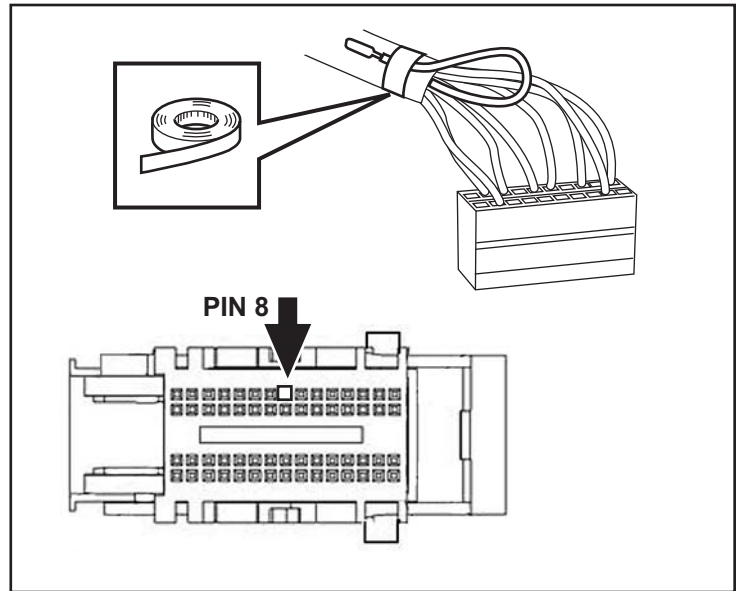
17. Locate the BCM up inside the dashboard on the driver side. The lower left connector (**D2762D**) will need to be accessed for the new harness connector wire.



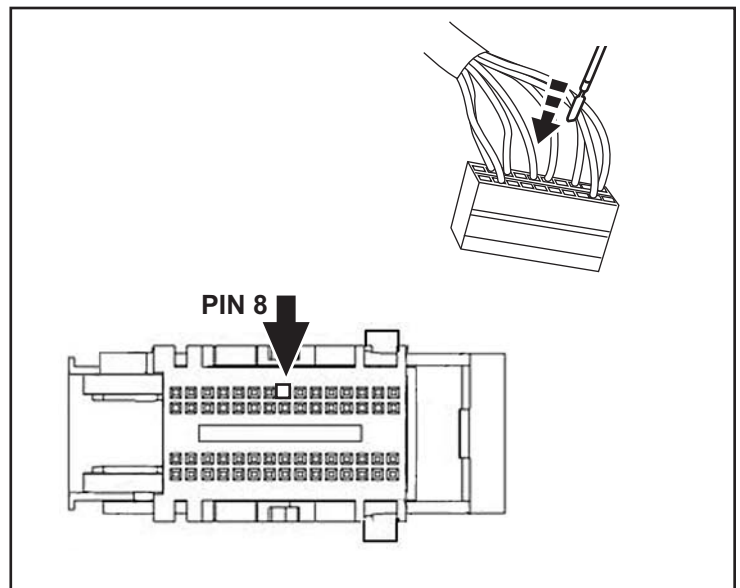
18. Press in on the release tabs at the back of the connector and slide the plug out from the outer casing.



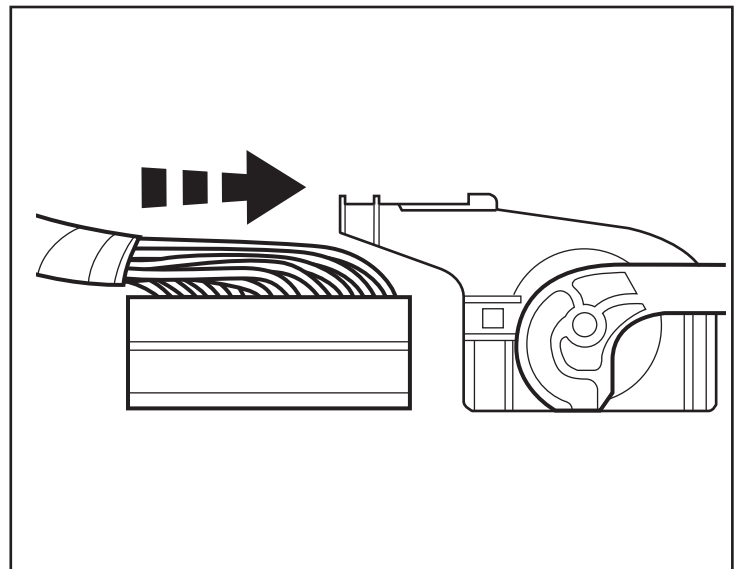
19. Locate Pin 8 **CIRCUIT G-70-VSS-UNDERHOOD SW SIG** on the connector. If Pin 8 has a factory harness wire present, remove the factory wire and tape it back on the harness (VT/LB).



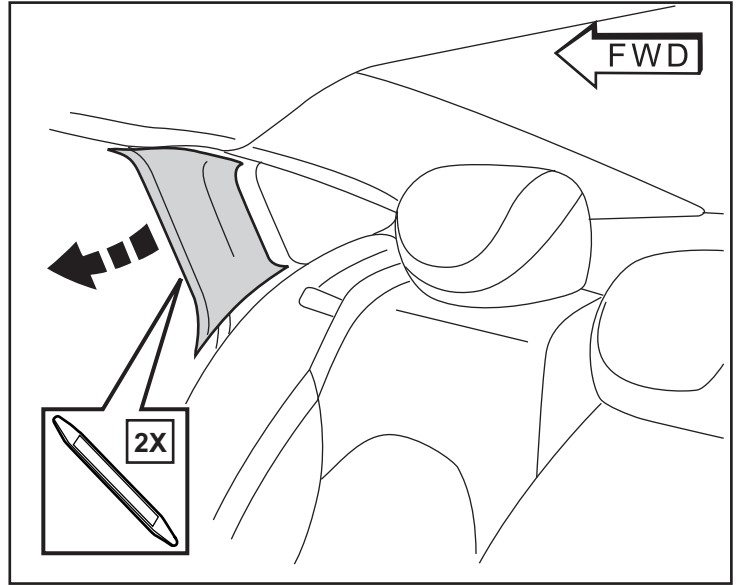
20. Insert the tab wire connector from switch harness (B) into Pin 8 on the connector.



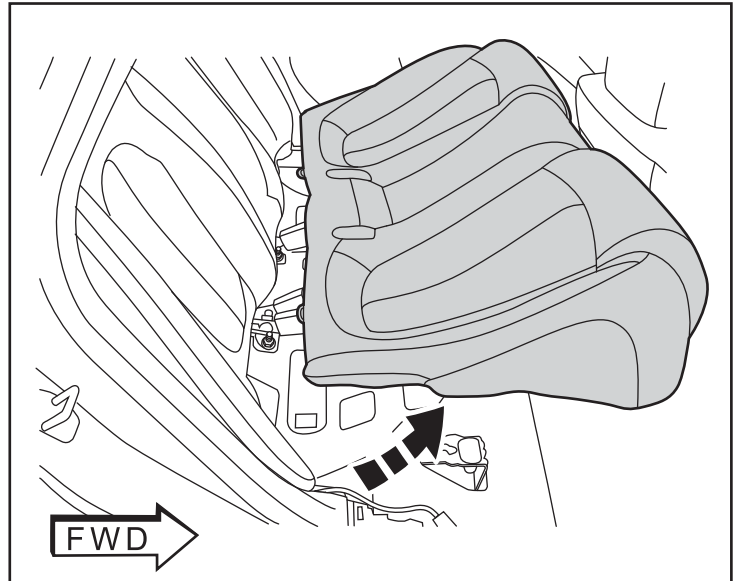
21. Reinstall the outer casing on the connector. Plug all connectors back into the BCM.



- 22. Remove C-pillar trim panels on left and right sides of vehicle.



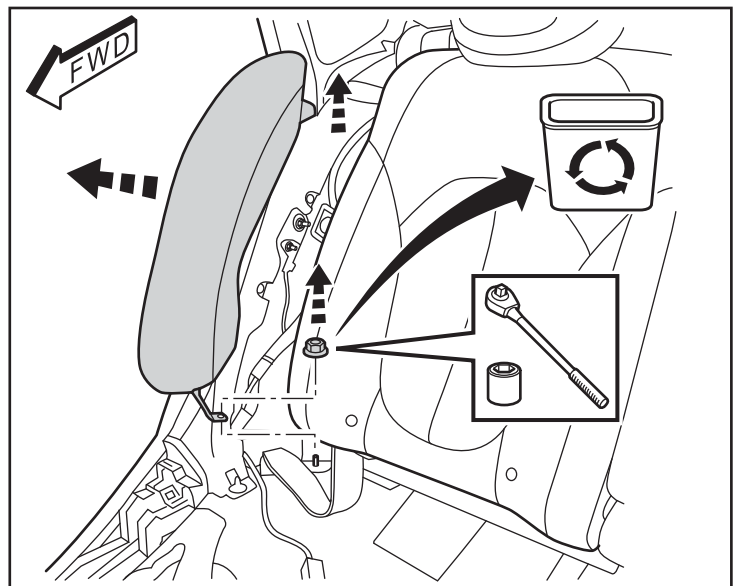
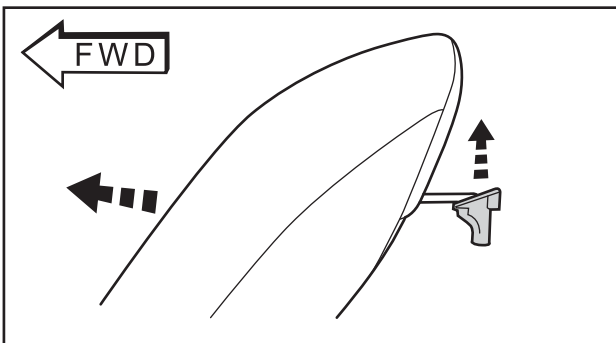
- 23. Remove rear seat cushion from vehicle.



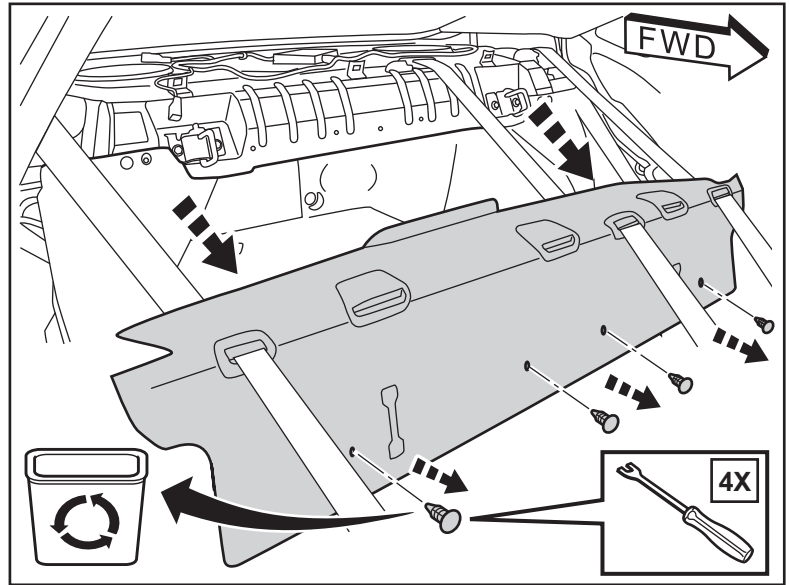
- 24. Remove one (1) fastener at the bottom of each rear seat side cushion.

- 25. Tilt front seat backs forward. Fold rear seat backs down flat and remove both side cushions.

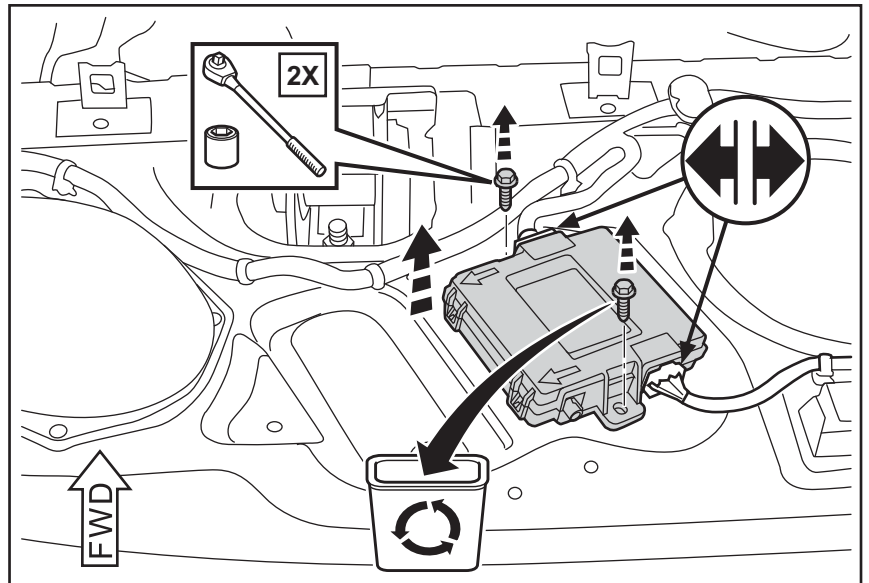
- 26. Remove both left and right side cushions from rear seat by pulling straight up to release top bracket first, then pull forward to remove cushion.



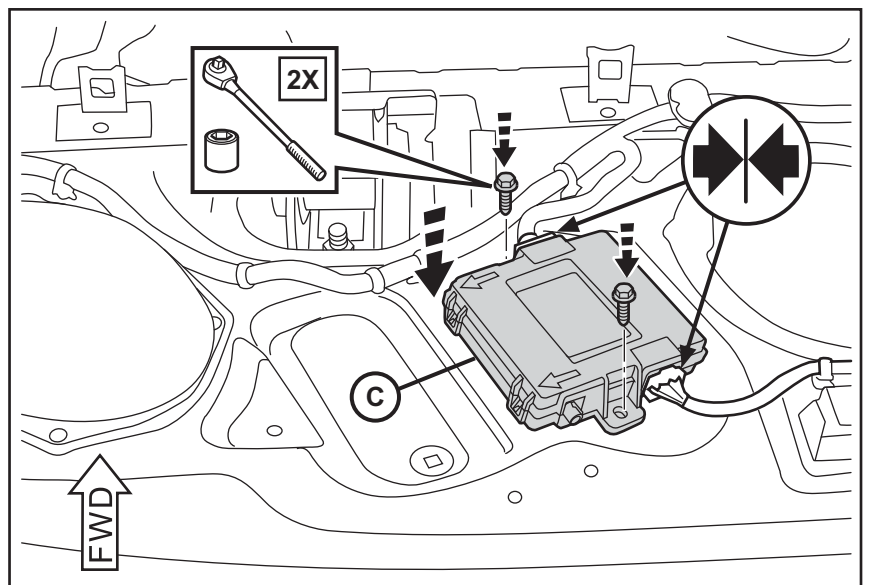
27. Remove four (4) fasteners from the front edge of the rear deck cover panel. Pull the cover panel forward.



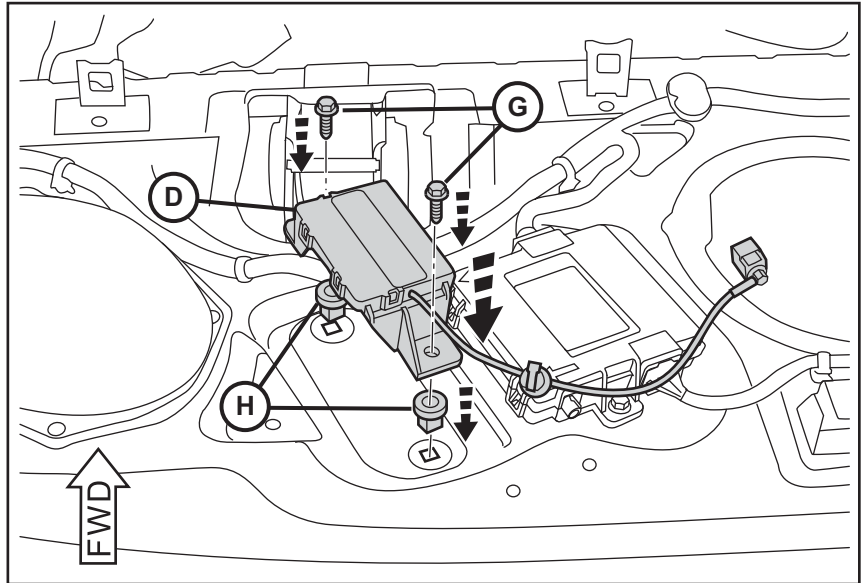
28. Locate the existing RF Hub Module on the rear deck. Disconnect all harness connectors. Remove two (2) fasteners. Remove the RF Hub Module.



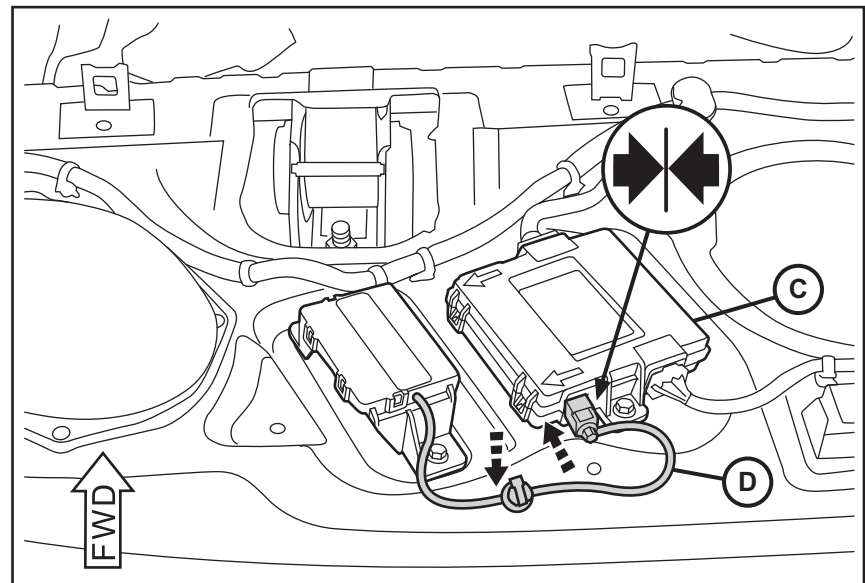
29. Install the new RF Hub Module (C) on the rear deck with two (2) existing fasteners. The arrows on top of the module must point towards the driver side. Reinstall all connectors. Tighten to 2.2 N m (19 in-lbs).



30. Install two (2) snap-in plastic nuts (H) into the holes on the rear shelf and install the Antenna Module (D) using the two (2) screws provided. Tighten bolts to 2.2 N m (19 in-lbs).



31. Plug the Antenna Module cable (D) into the new RF Hub module (C). Secure the harness with the retainer clip.



32. Check all wiring and trim all cable ties.
33. **Reverse step 22 through 25 as needed to reinstall panels and components at the rear seat. Tighten nuts securely.**
34. **Reverse step 14 to reinstall driver side trim panels and components.**
35. **Reverse steps 3 and 4 to reinstall radiator cover panel and reconnect battery. Tighten battery cables to 5 N m (45 in-lbs).**

PROGRAMMING THE RF-HUB

NOTE: Do not put a laptop or any wireless device (cell phones, audio devices etc.) near the top of the center console (a passive entry antenna is located below the center console).

1. Remove old FOBs from vehicle. Be sure old FOBs are not in proximity of vehicle.
2. Once the WiTECH is connected to the vehicle, ignition cannot be switched to RUN due to FOBs not being programmed. The WiTECH will continue to identify the vehicle with ignition in its current state. A VIN check screen may appear on the WiTECH tool. Follow the instructions to complete these steps before proceeding.
3. Navigate to the RF-Hub (RFH) in the "Vehicle View" of the diagnostic scan tool.
4. With the scan tool, select "RF-Hub," then the "Misc. Functions" tab and perform the "RF-HUB Replace" routine.

NOTE: This procedure will require you to log into DealerCONNECT and enter a PIN when requested. The PIN is temporary and will be active for 12 hours. After 12 hours, a new PIN will need to be obtained from DealerCONNECT.

5. Put all the FOBs used in this vehicle on the front seat away from the console.
6. With the scan tool, select "Program Ignition FOBs" in the Misc. Functions menu and follow the on-screen instructions. When programming a FOB, have it in your hand resting on the console. When you are instructed to "Press the Unlock button" it is important that you do not hold the button. Press it One time quickly.
7. Program both new FOBs.
8. Remove the emergency key shanks from the original keys and insert them into the new FOBs.
9. Return to vehicle view and select "BCM."
10. Select "BCM Misc. Function" and perform the "PROXI Configuration Alignment" routine.
11. Turn the ignition OFF, then turn ignition to RUN (without cranking the engine).
12. Leave ignition in RUN for a minimum of 60 seconds, then turn off.
13. Turn the ignition to ON/RUN and with the scan tool select "RFH." Go to the "Misc. Functions" tab.
14. Update the Front and Rear Axle Normal Tire Pressure Values.
15. Program the Tire Sensor IDs.
16. Turn the ignition to the OFF position, wait 30 seconds, then cycle the ignition back to the ON/RUN position.
17. Check for any active RF-Hub DTCs.

NOTE: After the RFHM is replaced and programmed with a new Unit. Review the door handle configuration in order to enable or disable diagnostics for the Passive Entry Keyless go passenger door handle, based on the vehicle configuration. If the vehicle is NOT equipped with Passive Entry Keyless go passenger door handle, RFHM configuration needs to be checked to make sure diagnostics are disabled accordingly using the proper service routines in the RFHM. Otherwise a DTC will set for the passenger door handle sense failure.

- 18 : Navigate to the RF-Hub (RFH) in the "Vehicle View" of the diagnostic scan tool.
- 19: Select "Misc. Function" then "passenger passive entry handle delete." Follow the steps to complete the configuration.
- 20: Turn the ignition off and check each FOB for proper operation.

TEMPORARY REMOTE START OVERRIDE

1. Select "BODY CONTROL MODULE (BCM)".
2. Select "MISCELLANEOUS FUNCTIONS" tab.
3. Select "TEMPORARY REMOTE START DISABLE".
4. Following the prompts, verify the remote start is enabled.
5. The cluster will chime several times, then both cluster and BCM will be reset.

CLEAR ALL DTCs

NOTE: It may be necessary to start the engine and turn the steering wheel lock to lock.

TEST THE REMOTE START

With the vehicle off, and the doors closed and locked, verify the remote start is functioning properly.