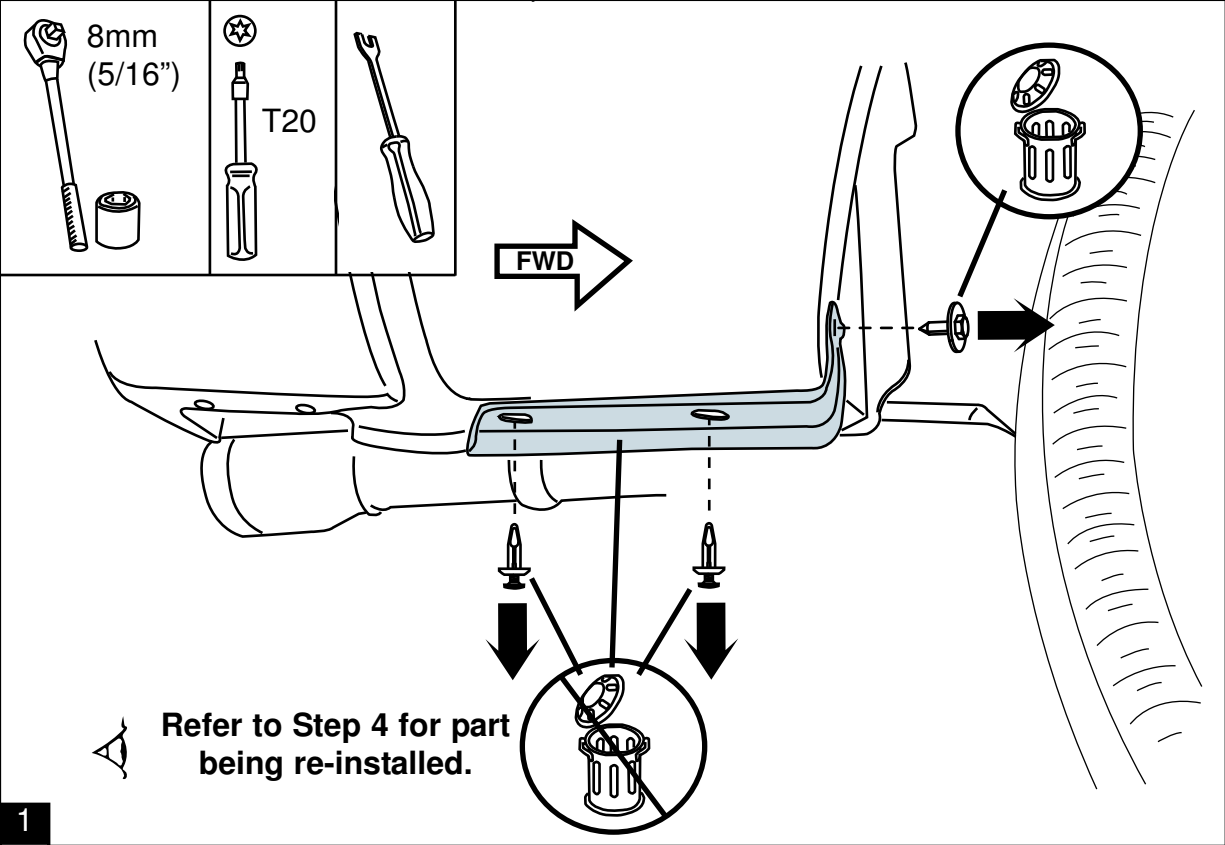
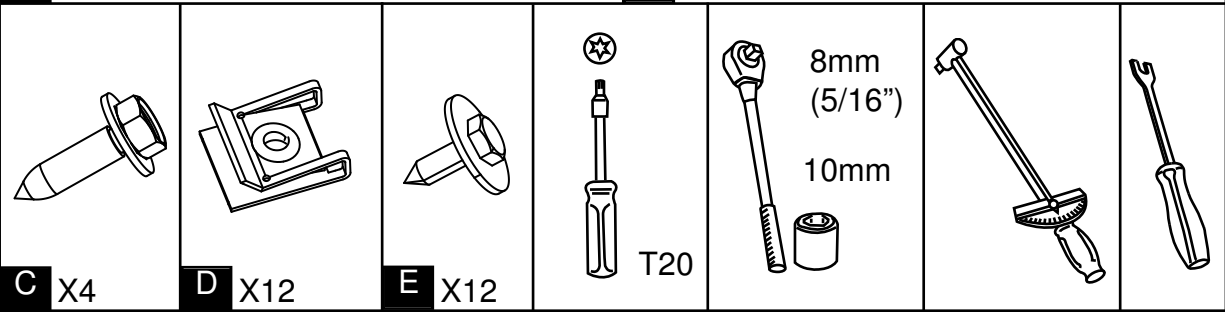
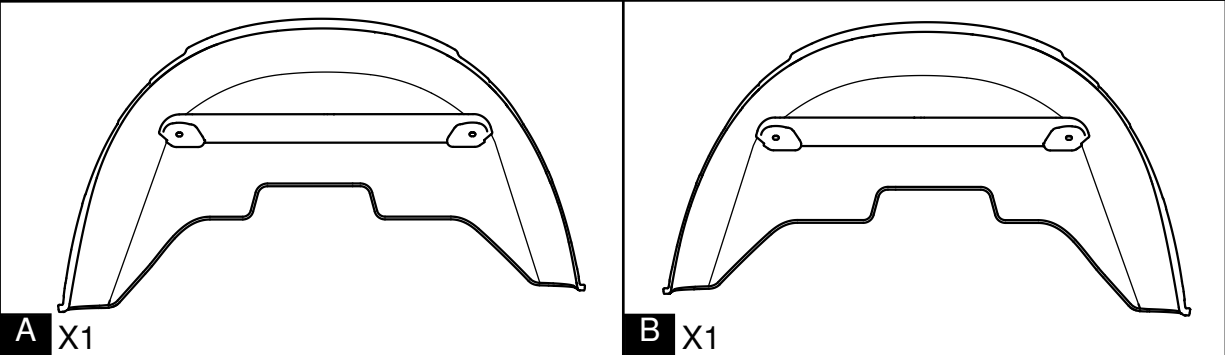
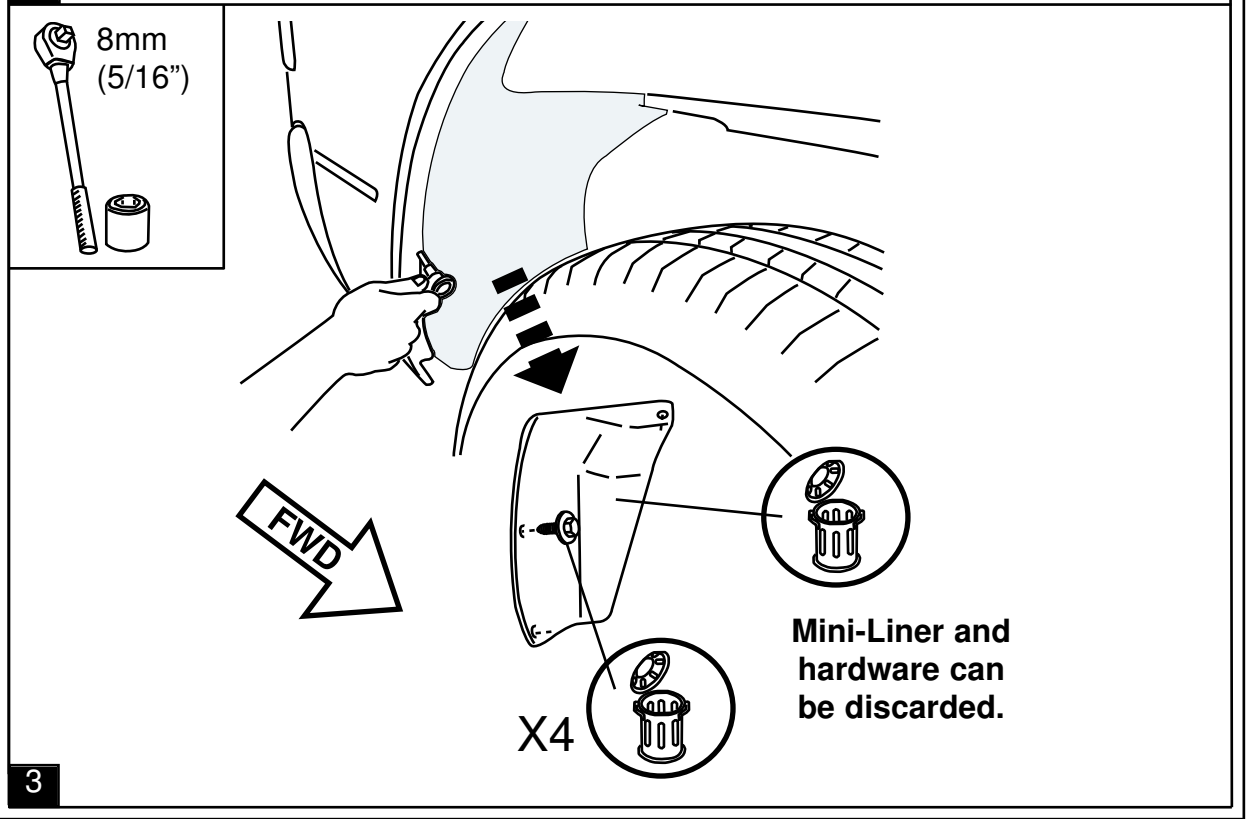
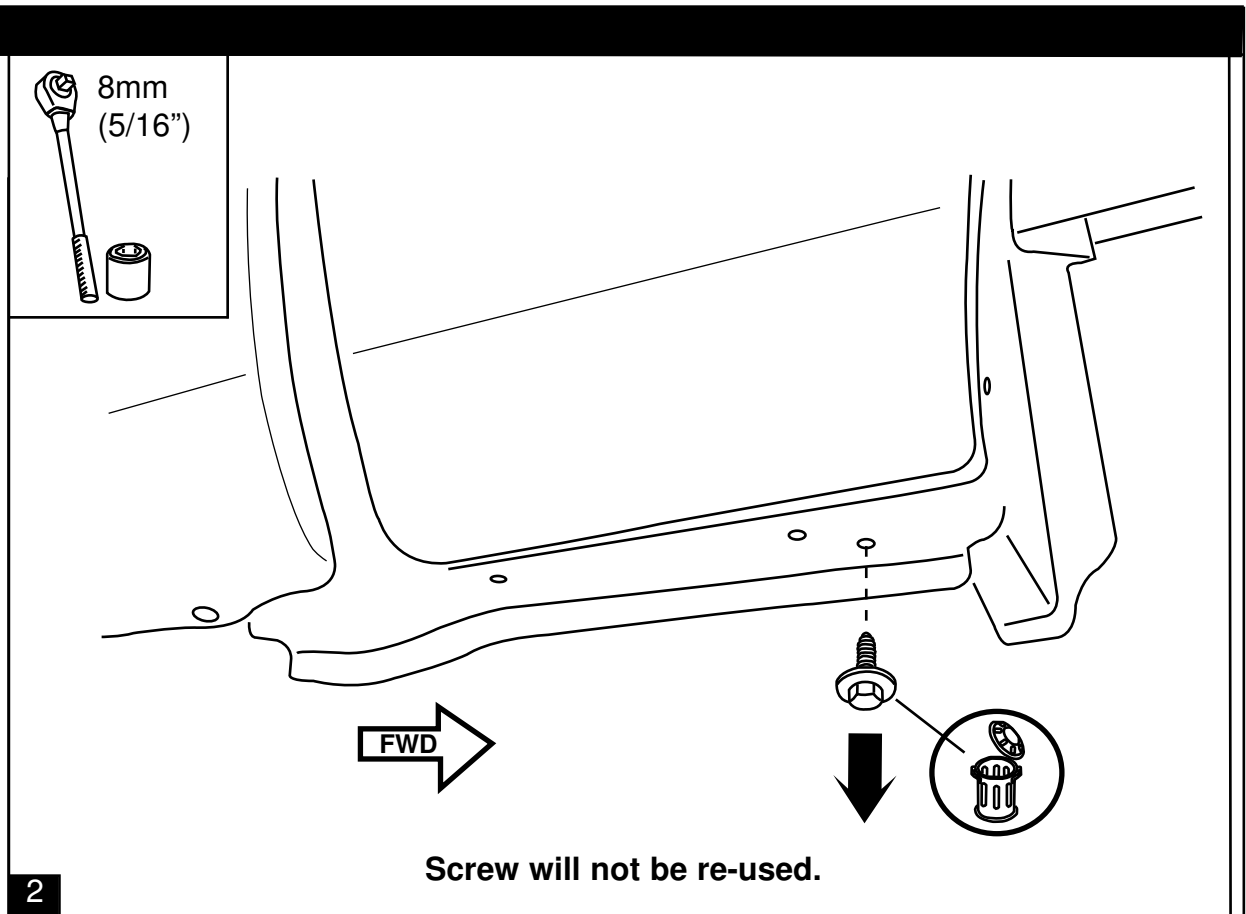




# Dodge Ram

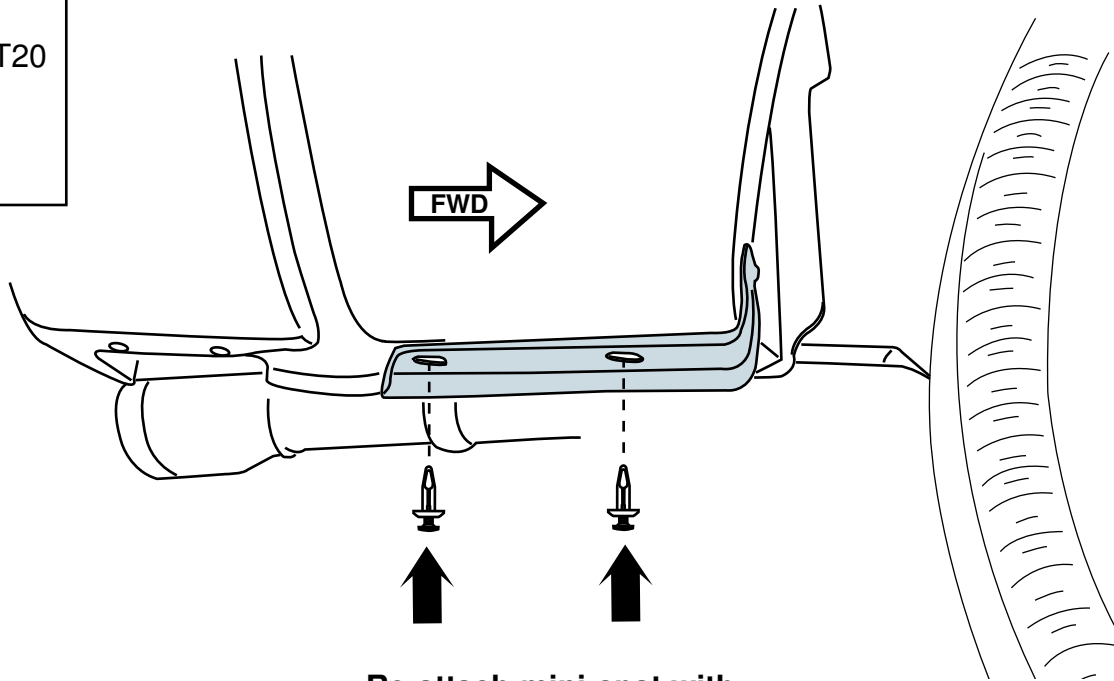
## Wheel Well Liner





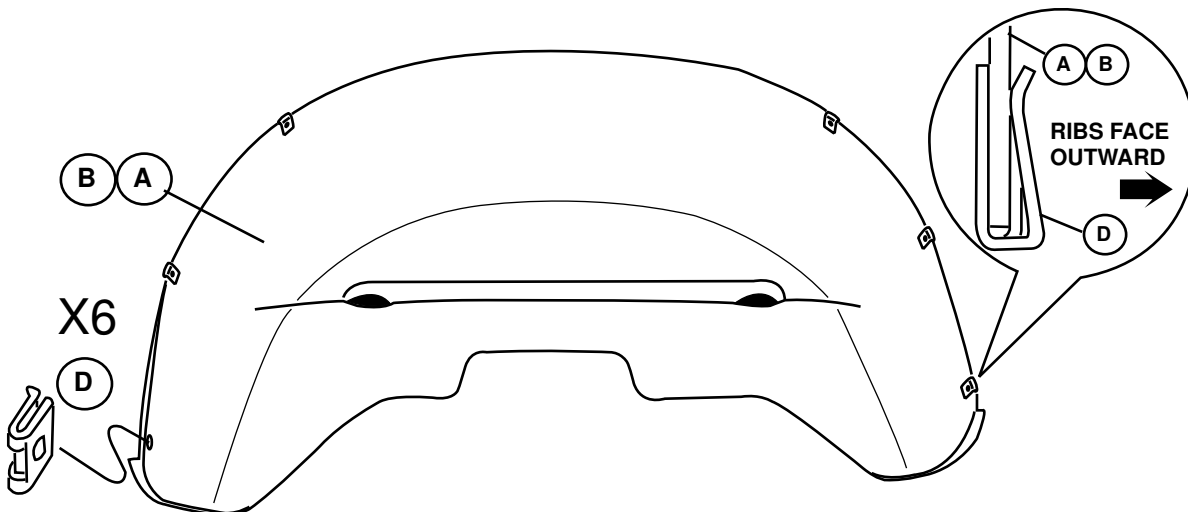


T20



Re-attach mini-spat with  
screws only, kept from  
Step 1.

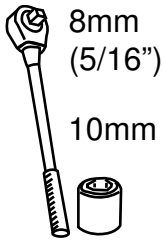
4



X6

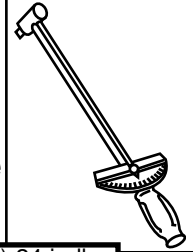
Attach spring clips to wheel liner.

5



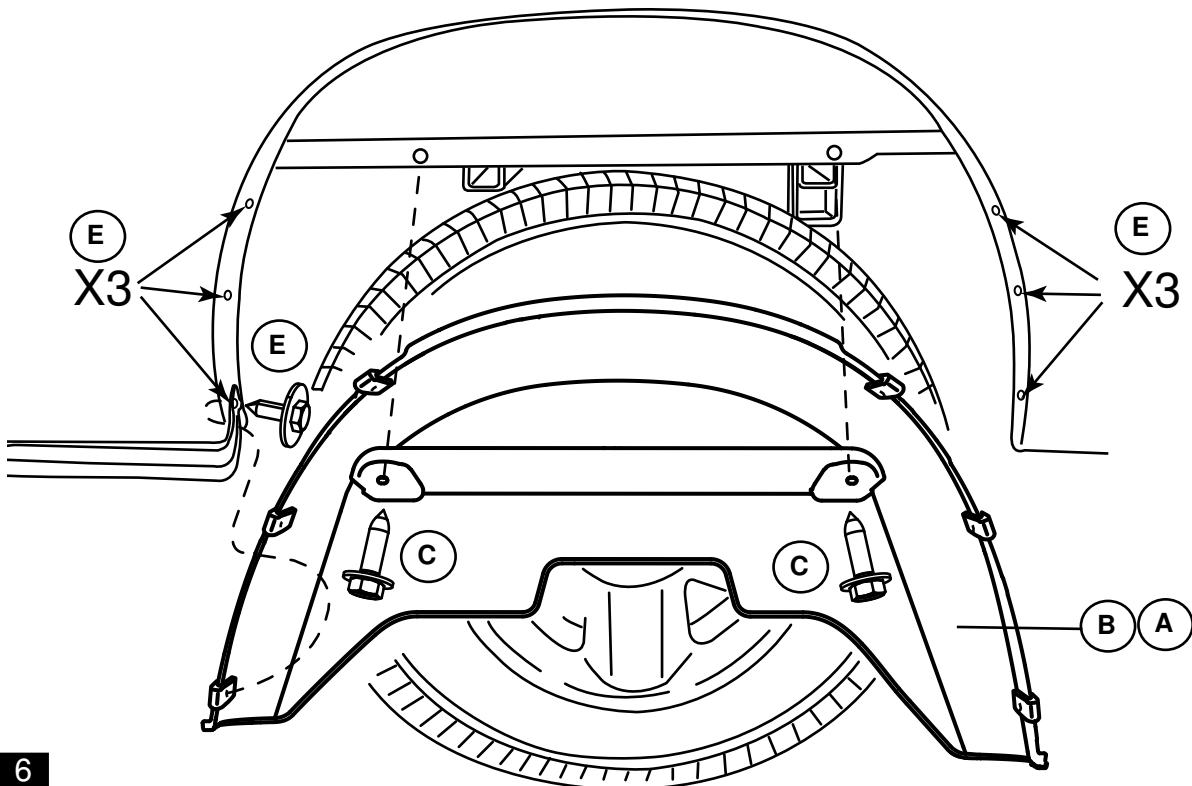
**Do Not use power tools to avoid stripping threads in the hardware.**

**Do Not Over Torque The Fasteners.**



2.7 (N.m) 24 in-lb

**After install of Wheel Well Liner over the tire, rotate liner rearward then up and forward into position.**



**6**

**GB** NOTE: Repeat steps 1-6 on the other side

**F** NOTE: Répétez les étapes 1-6 pour l'autre côté

**E** NOTA: Repita estos pasos 1-6 en otro lado

**G** ANMERKUNG: Wiederhole Schritte 1-6 auf der pihen Seite

**7**