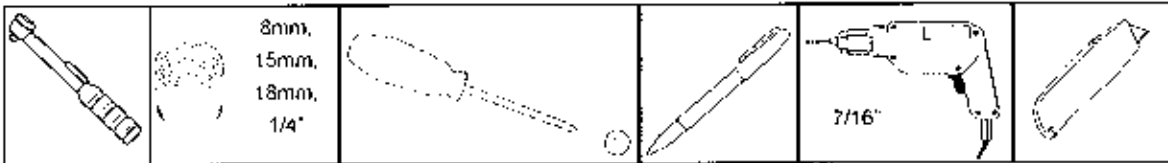




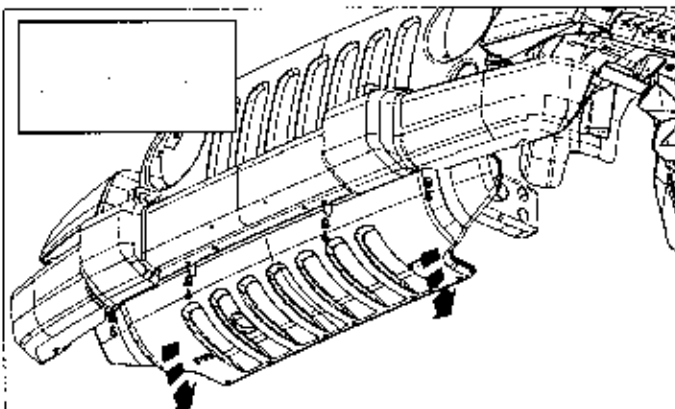
MOPAR.

FRONT BUMPER

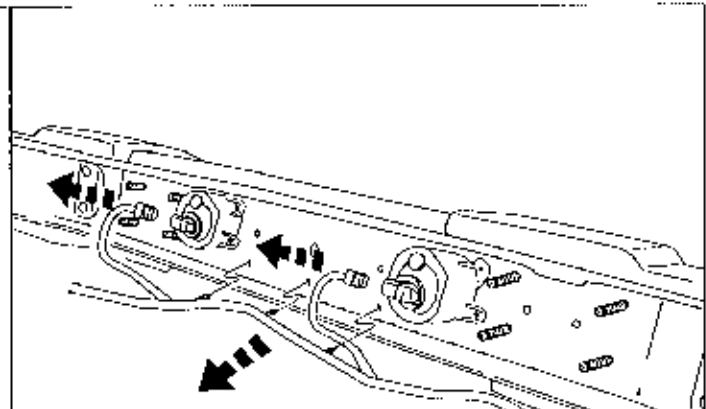
1X	A	2X	B	12X	D	2X	F
		4X	C	2X	E	8X	G



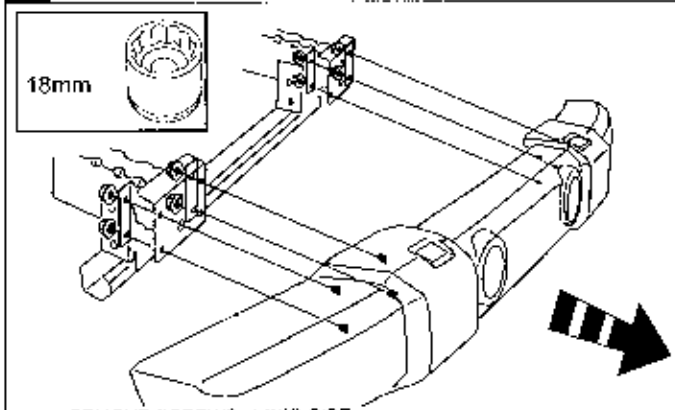
*NOTE SAVE OEM BUMPER ASSEMBLY AND FASTENERS FOR RE-INSTALLATION



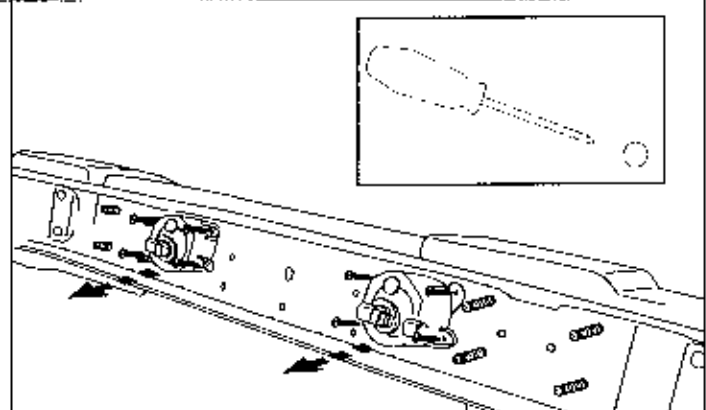
1 REMOVE FOUR (4) PLASTIC FASTENERS IN FRONT AND ROTATE SPLASH SHIELD REARWARD. DO NOT REMOVE REAR FASTENERS.



2 REMOVE OEM FOG LAMP HARNESS. SEE STEP 10.



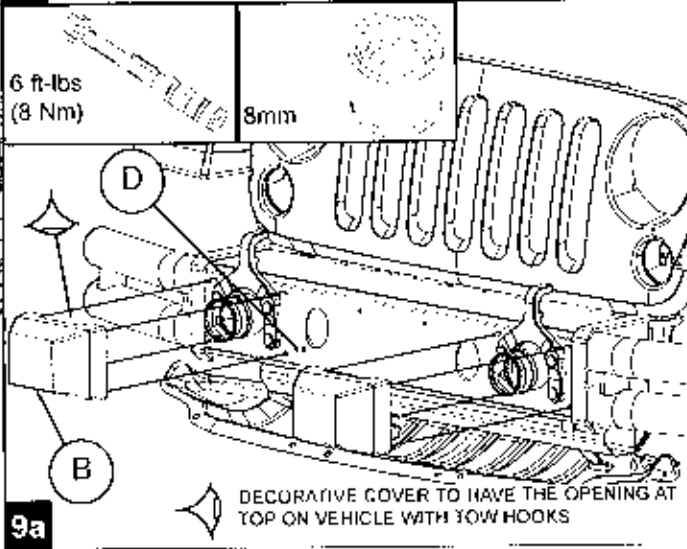
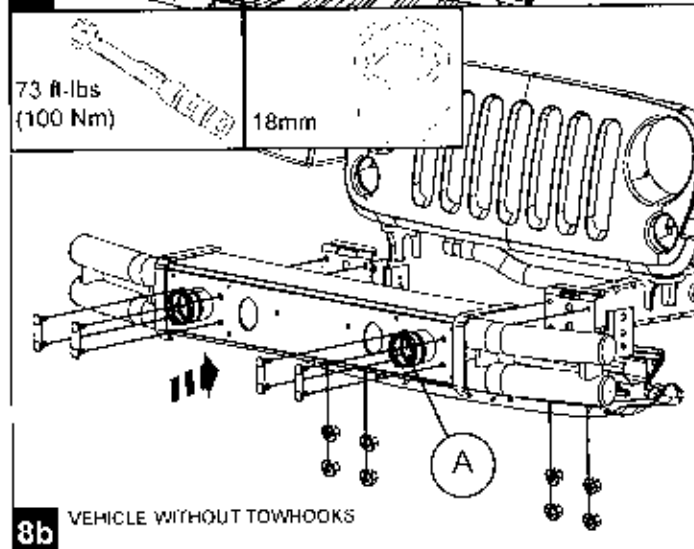
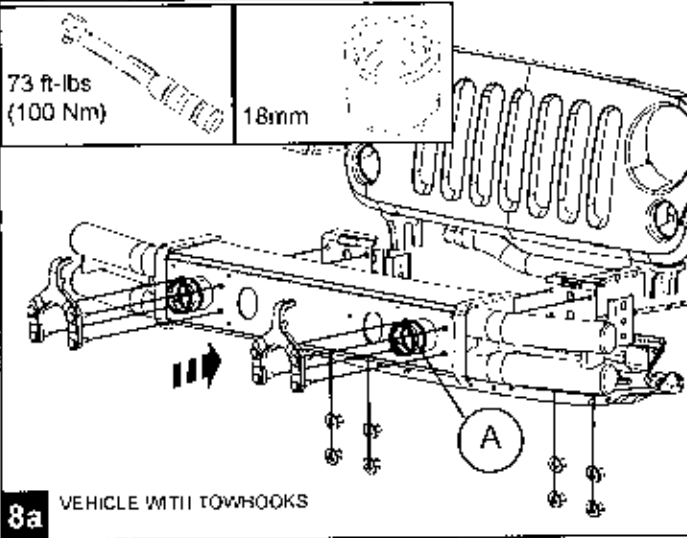
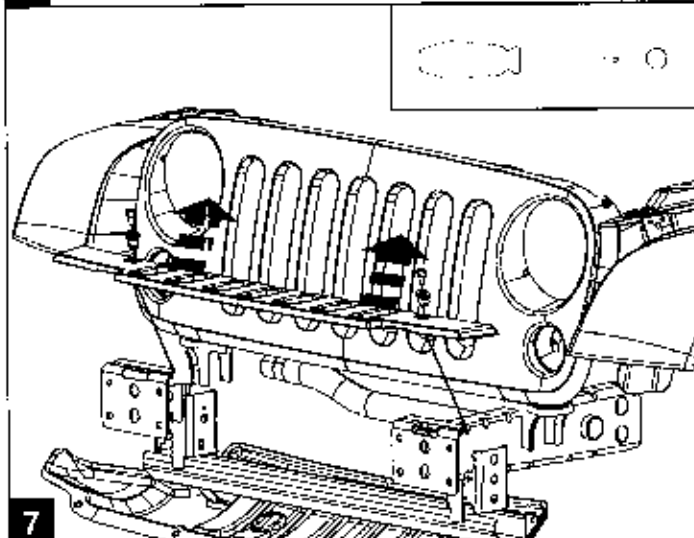
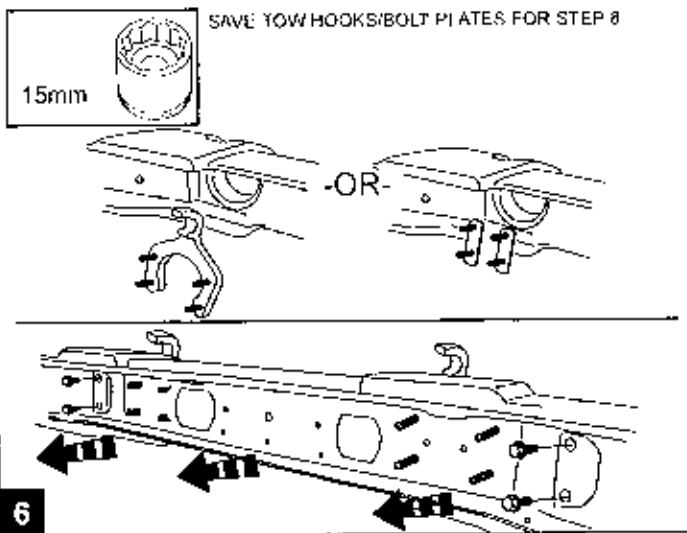
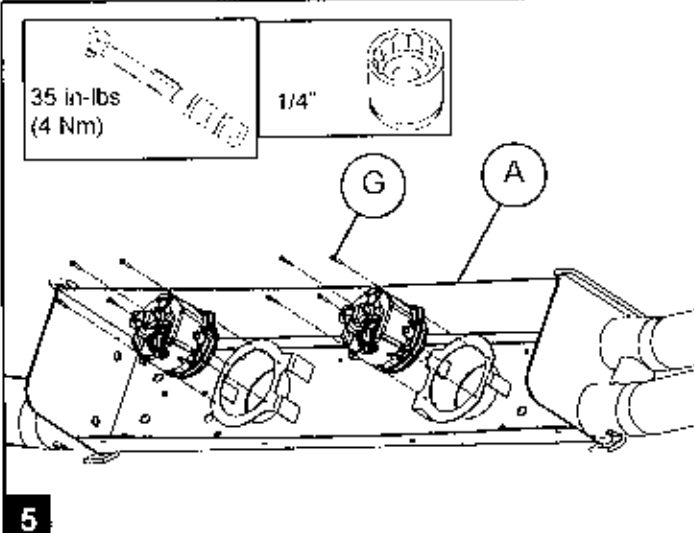
3 REMOVE SCREWS, 4 PER SIDE, TO DISASSEMBLE BUMPER FROM FRAME. SAVE HARDWARE FOR STEP 8.



4 VEHICLE WITH FOG LIGHTS. SAVE FOG LIGHTS FOR STEP 5.

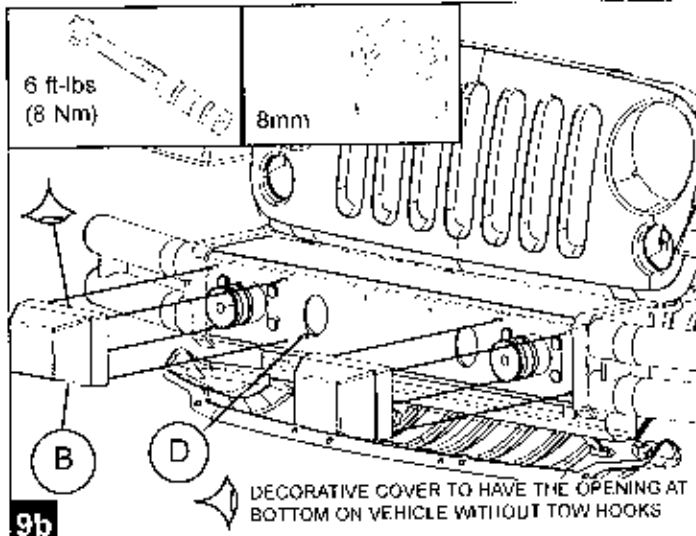


MOPAR.

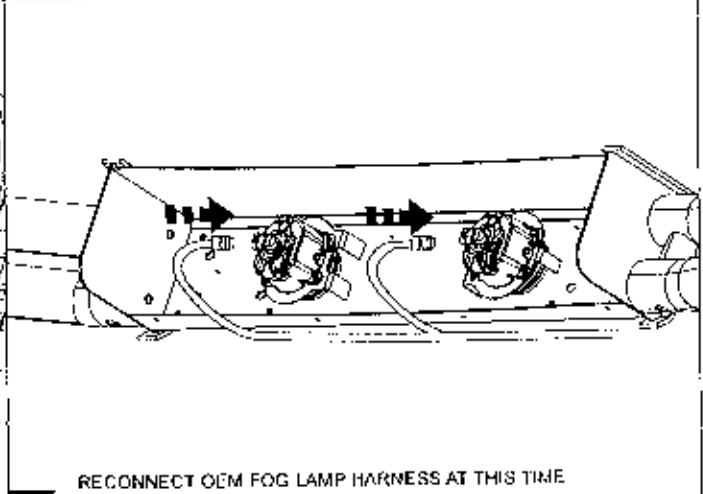




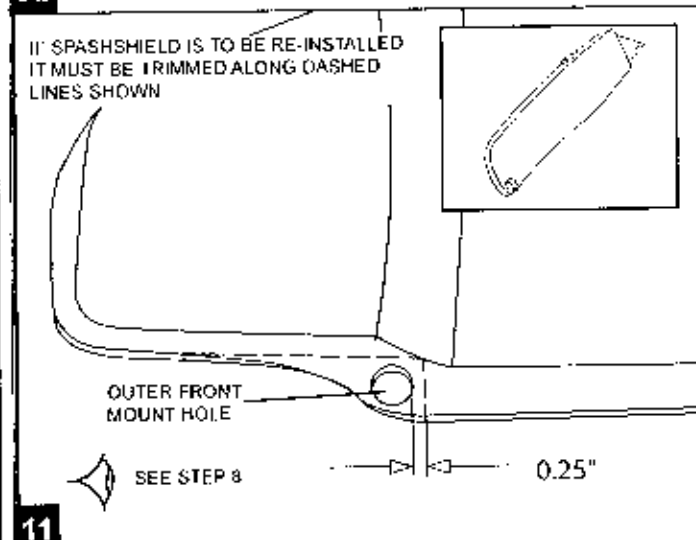
MOPAR.



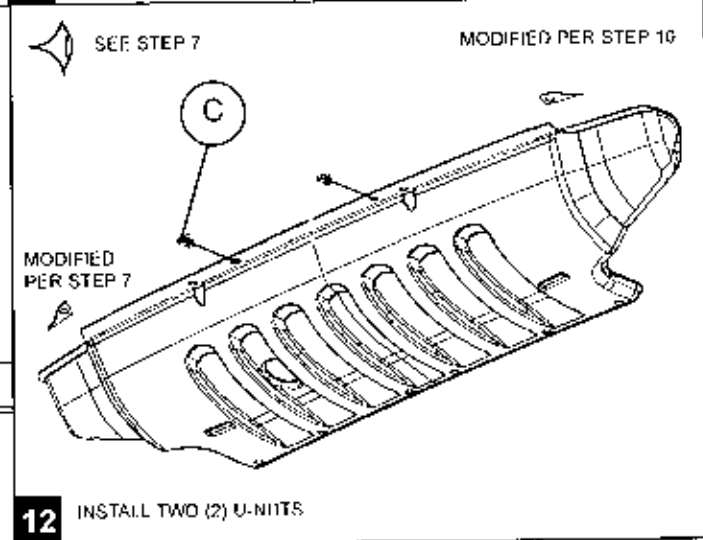
9b



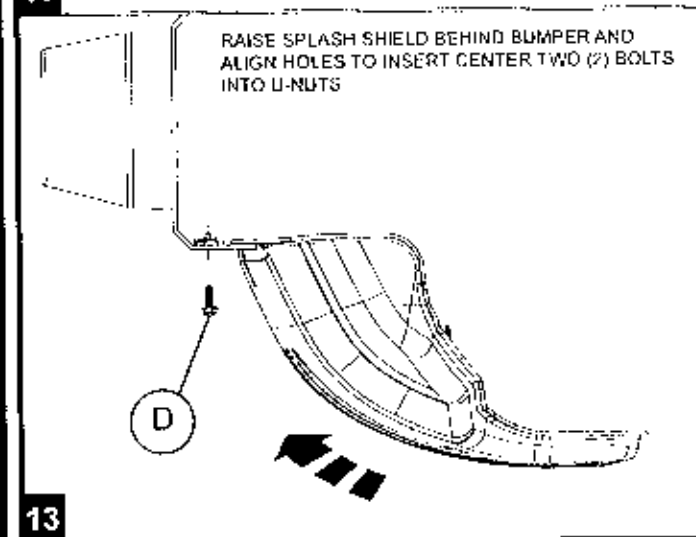
10



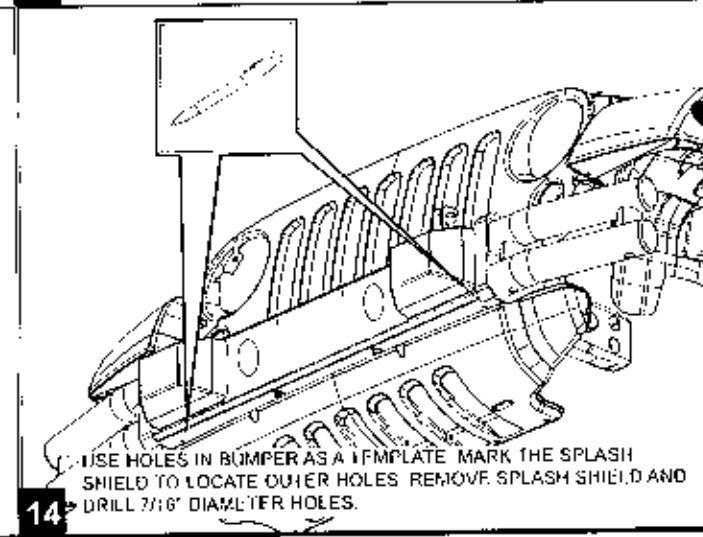
11



12



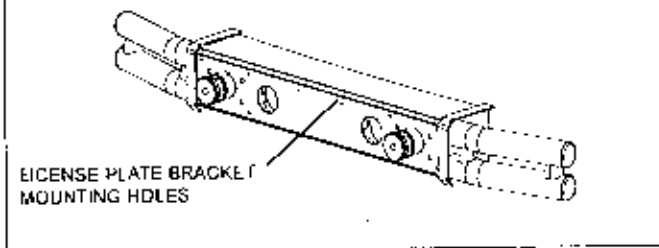
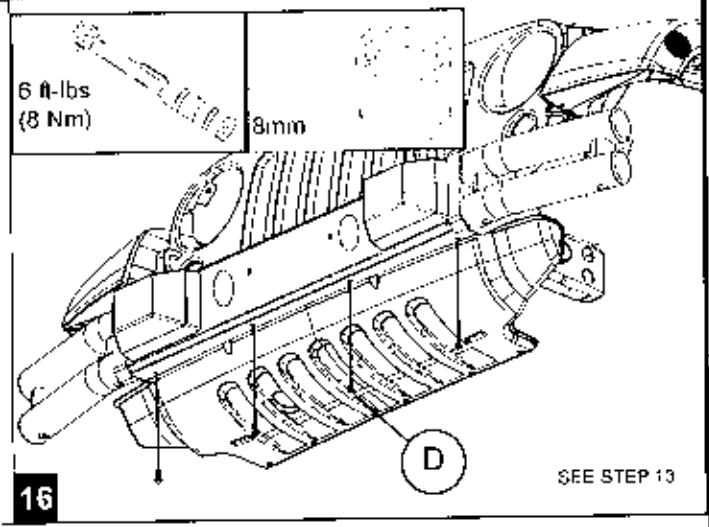
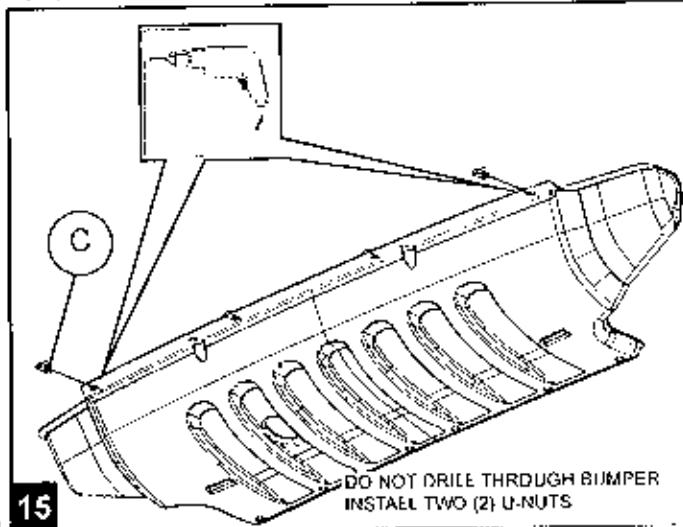
13



14



MOPAR.



SPLASH SHIELD MAY BE TRIMMED MANY WAYS, IT IS UP TO CUSTOMERS DISCRETION FOR DESIRED APPEARANCE.

FOG LAMP REPLACEMENT
FASCIA WITHOUT FOG LAMPS USE PART NUMBER 82211870 (FOG LAMP KIT COMPLETE, LAMPS, HARNESS, AND SWITCHES)

ROUND HOLES IN BUMPER FACE ARE PROVIDED TO INSTALL LICENSE PLATE USING INCLUDED HARDWARE (ITEMS E & F)