



# TRAILER TOW LIGHTING KIT

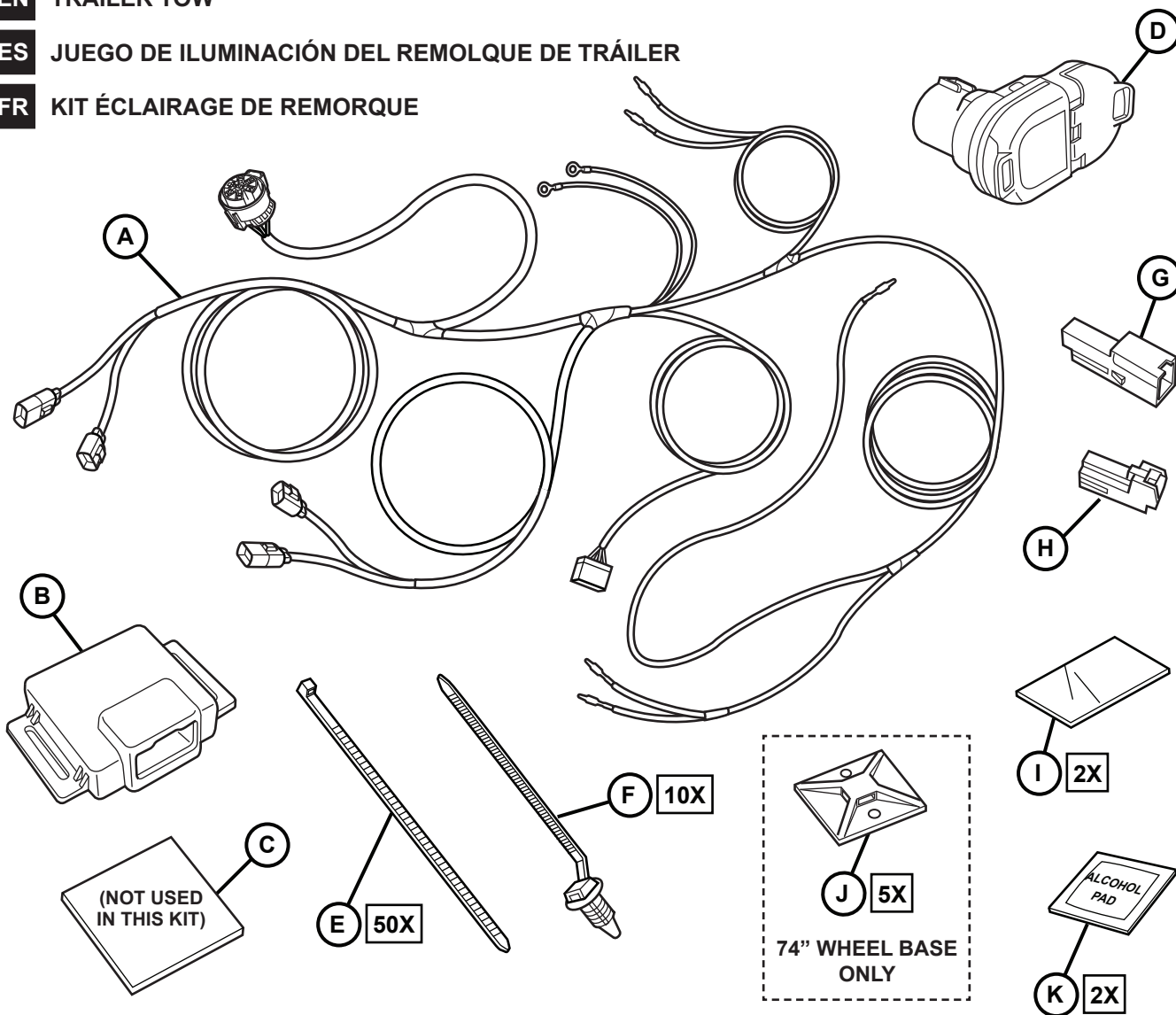
## JEEP GRAND CHEROKEE

www.mopar.com

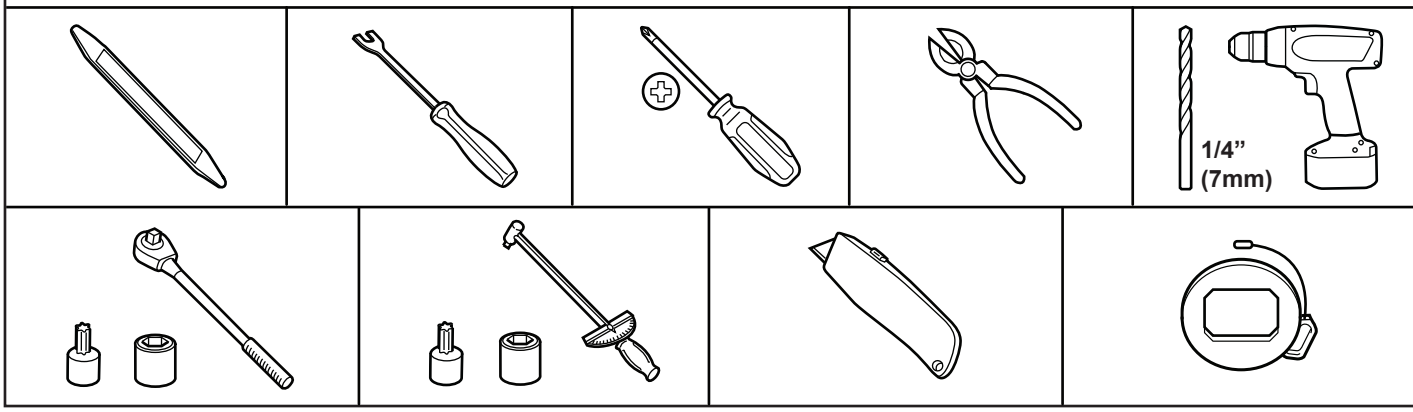
EN TRAILER TOW

ES JUEGO DE ILUMINACIÓN DEL REMOLQUE DE TRÁILER

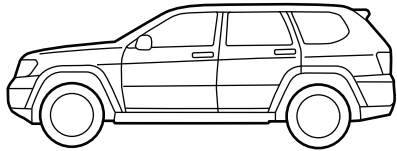
FR KIT ÉCLAIRAGE DE REMORQUE



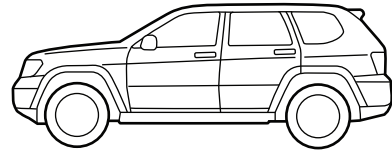
**NOTE: VEHICLE MUST BE EQUIPPED WITH TRAILER HITCH BEFORE PROCEEDING**



	BK	WH	GY	GN	RD	BU	YE	BN	VT	OG	BG
<b>EN</b>	black	white	grey	green	red	blue	yellow	brown	violet	orange	beige
<b>ES</b>	negro	blanco	gris	verde	rojo	azul	amarillo	marrón	violeta	naranja	beige
<b>FR</b>	noir	blanc	gris	vert	rouge	bleu	jaune	brun	violet	orange	beige



**75" LONG WHEEL BASE**



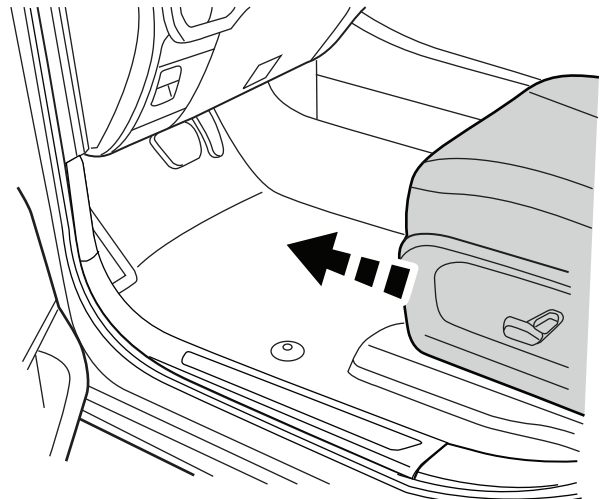
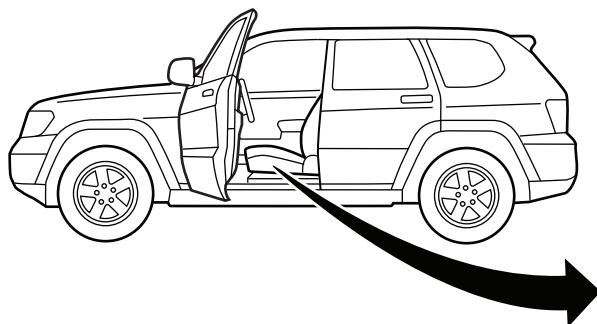
**74" SHORT WHEEL BASE**



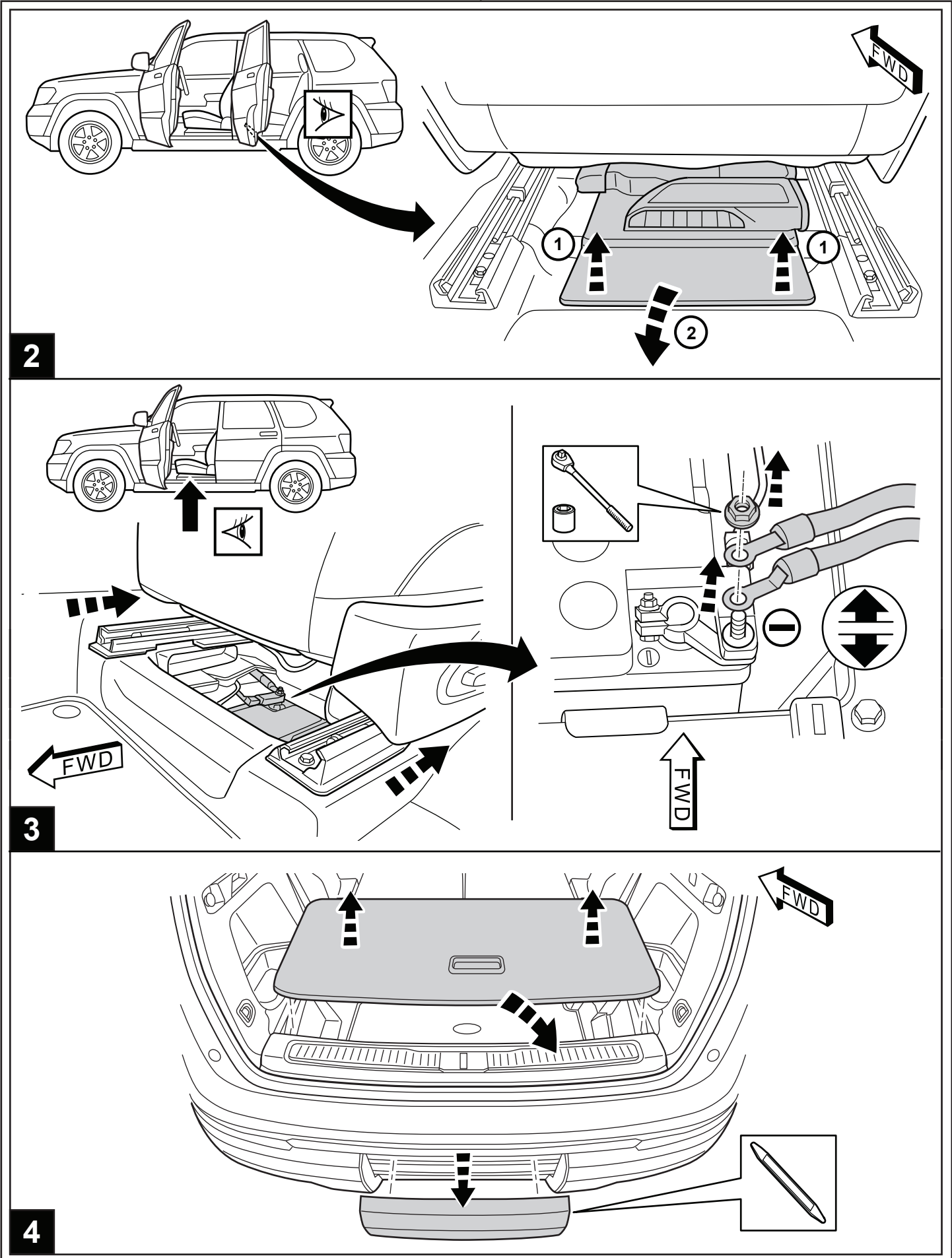
**NOTE: RETAIN ALL FASTENERS FOR REINSTALLATION**

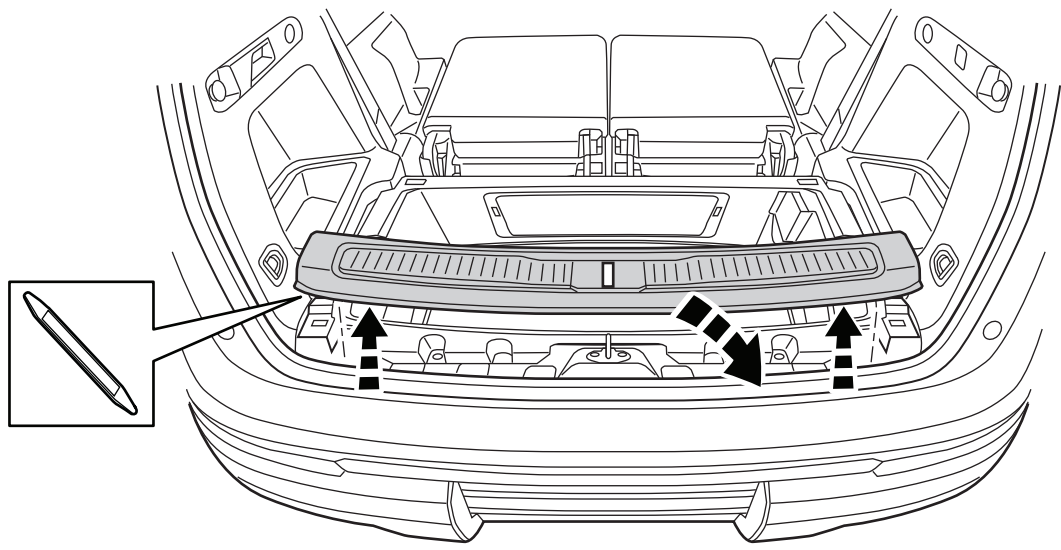


**75" LONG WHEEL BASE**

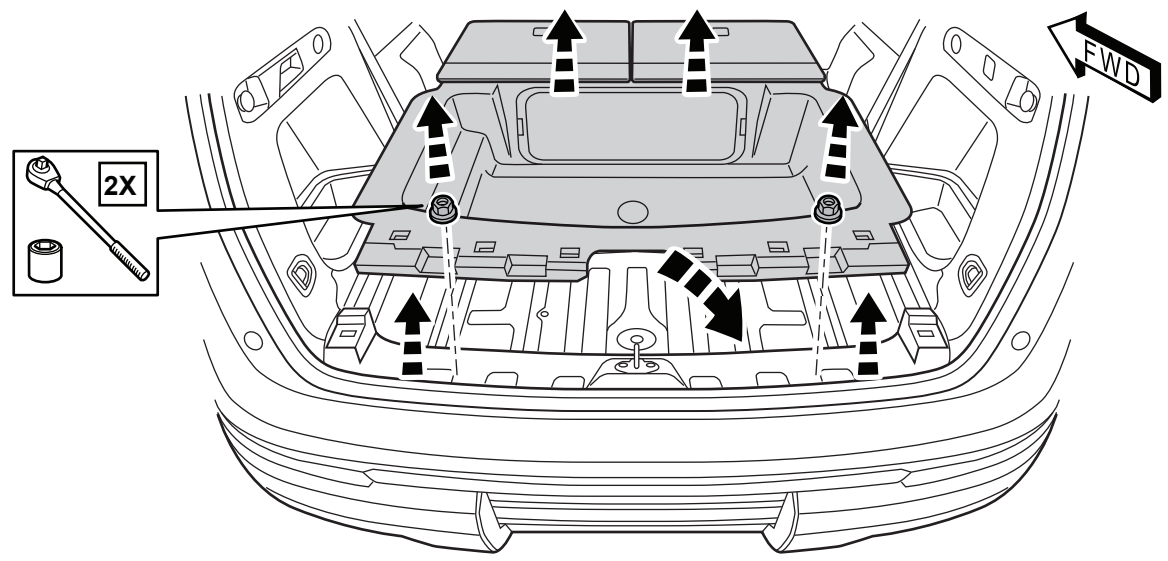


**1**

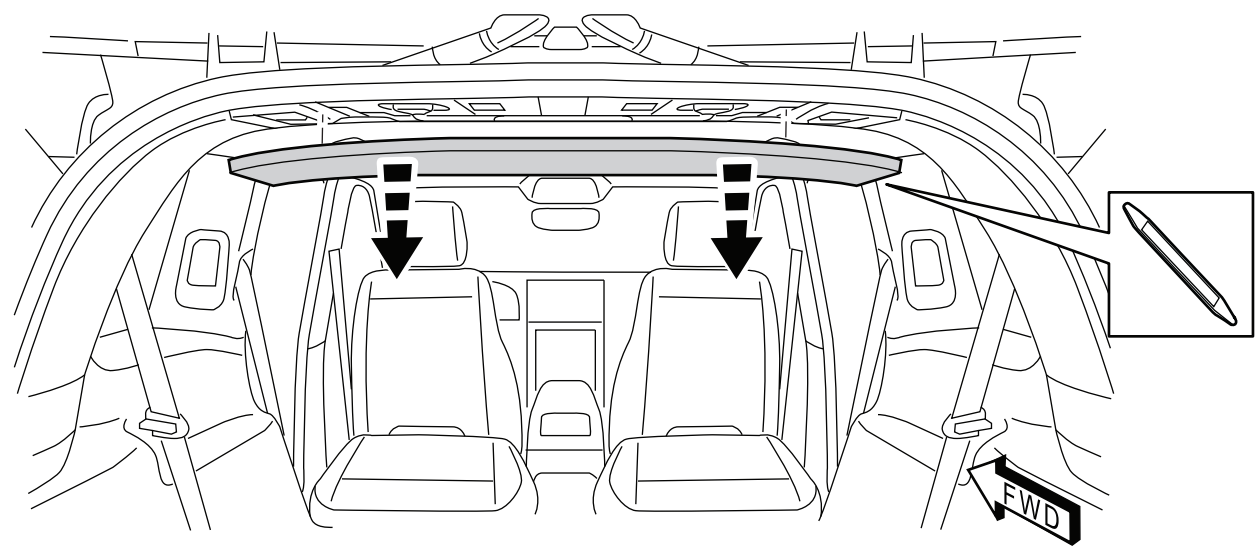




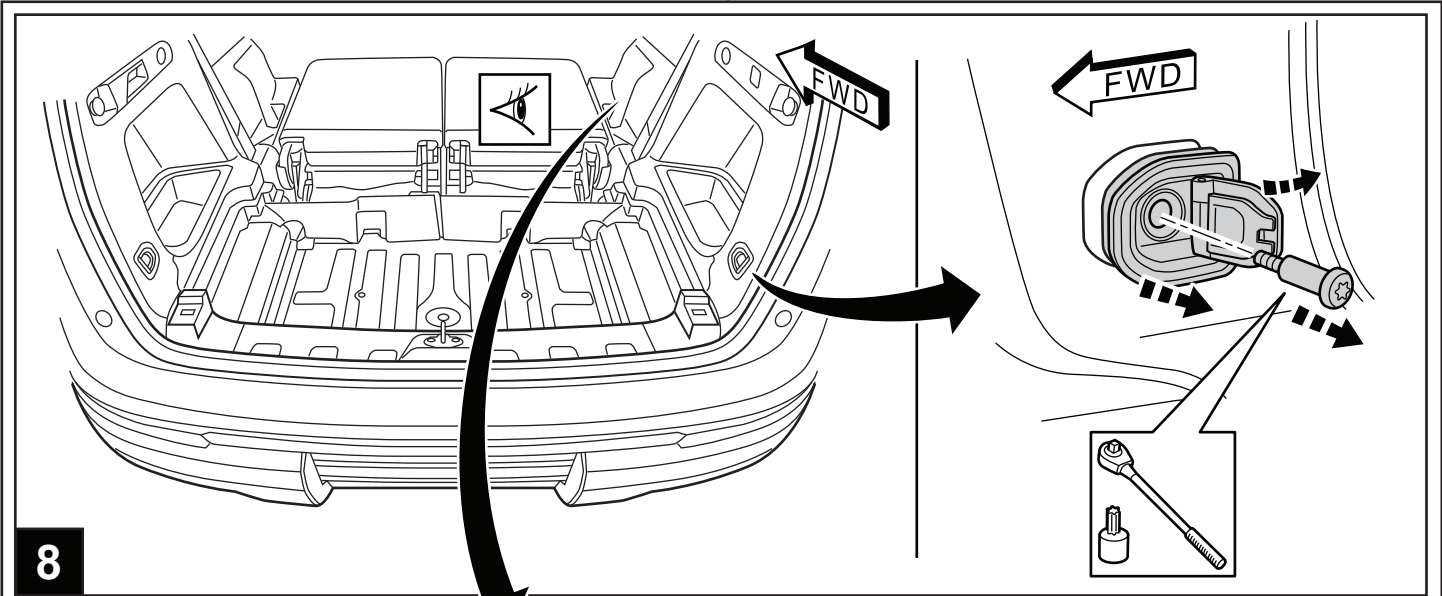
5



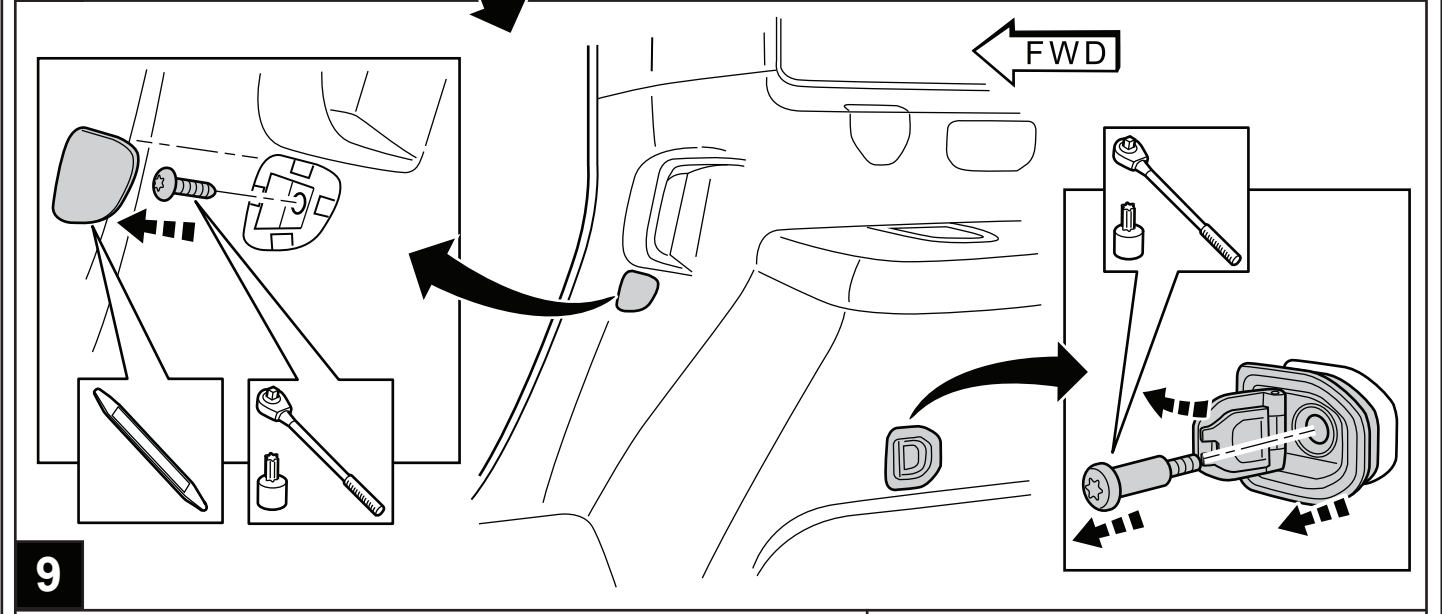
6



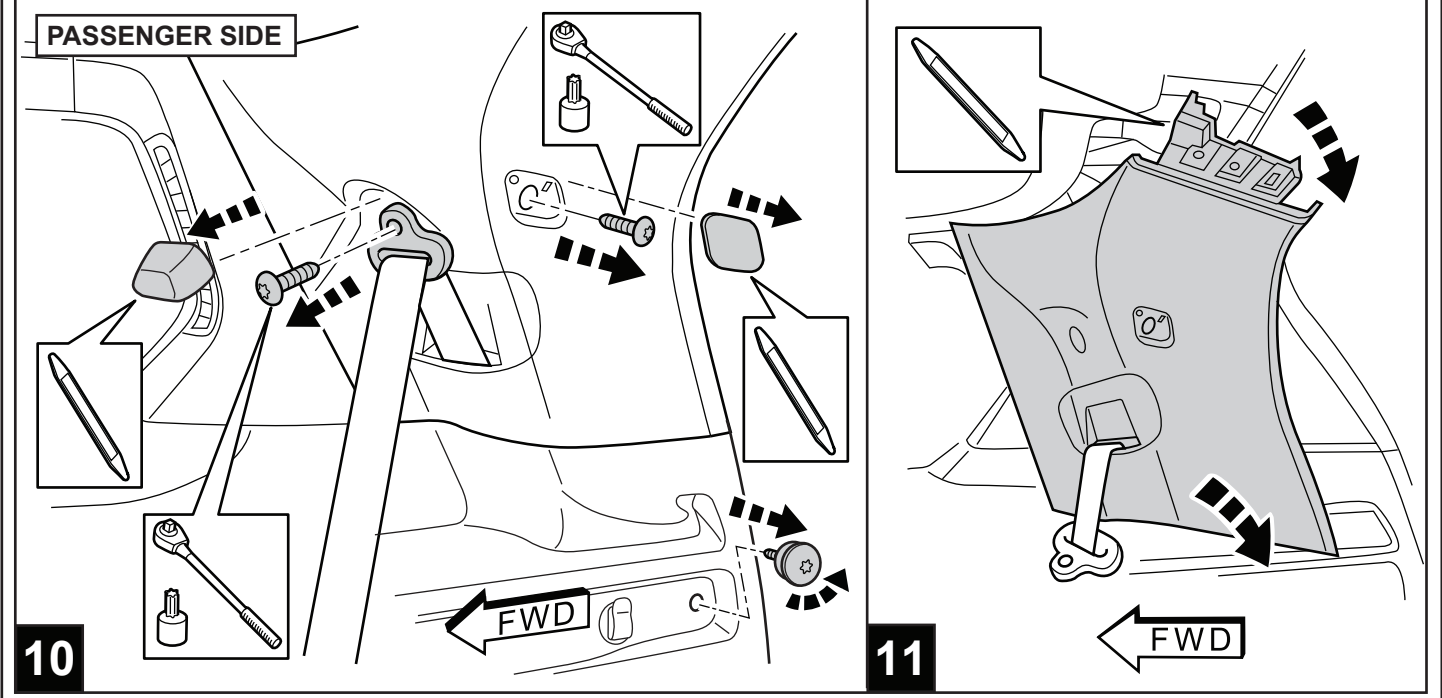
7



8

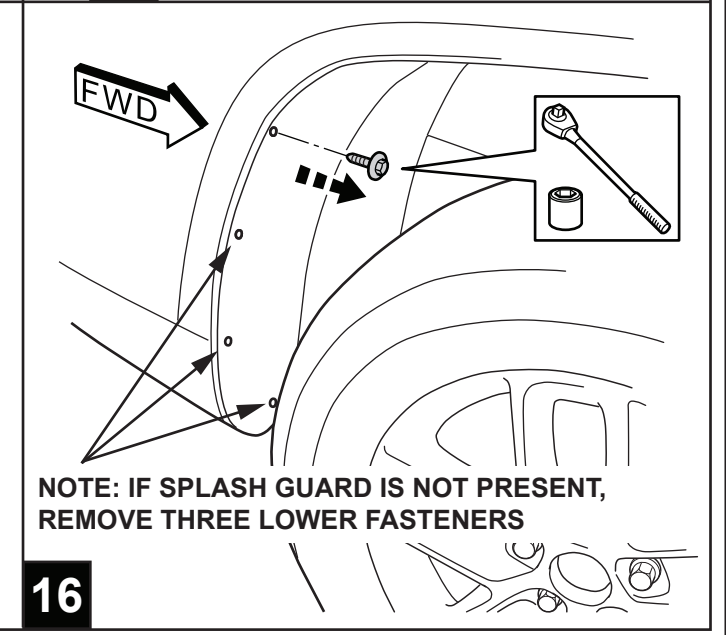
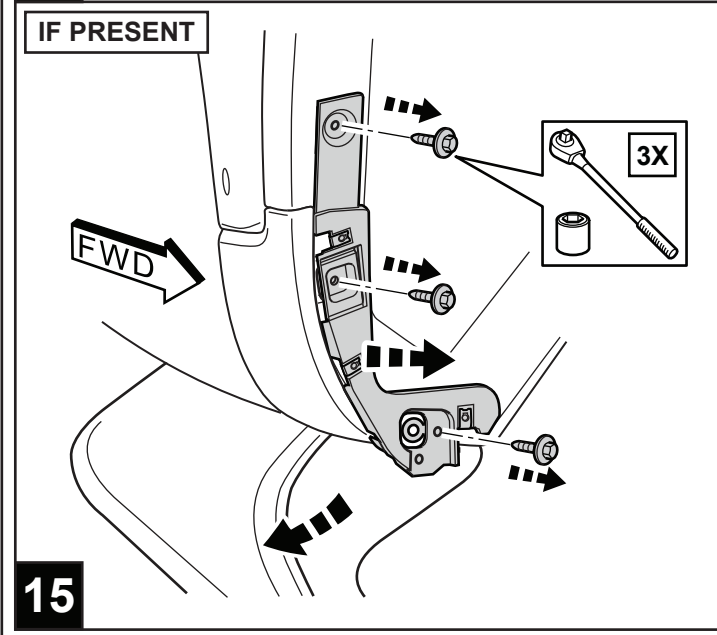
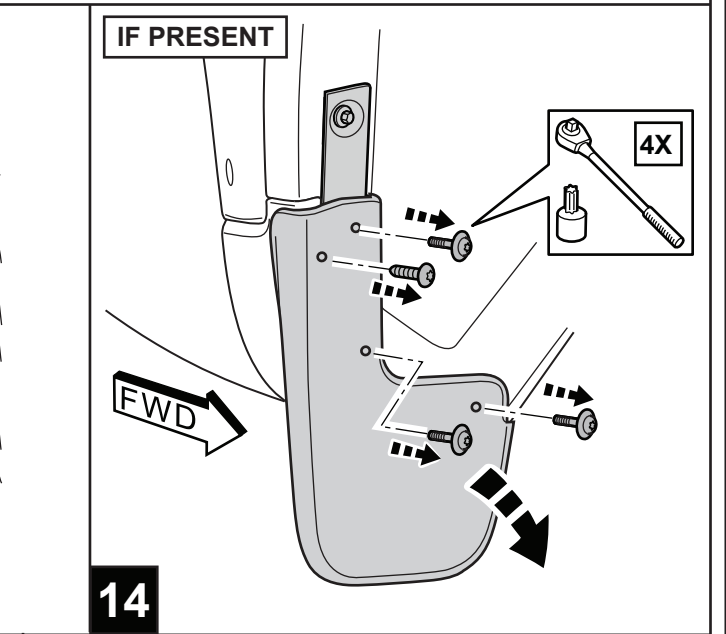
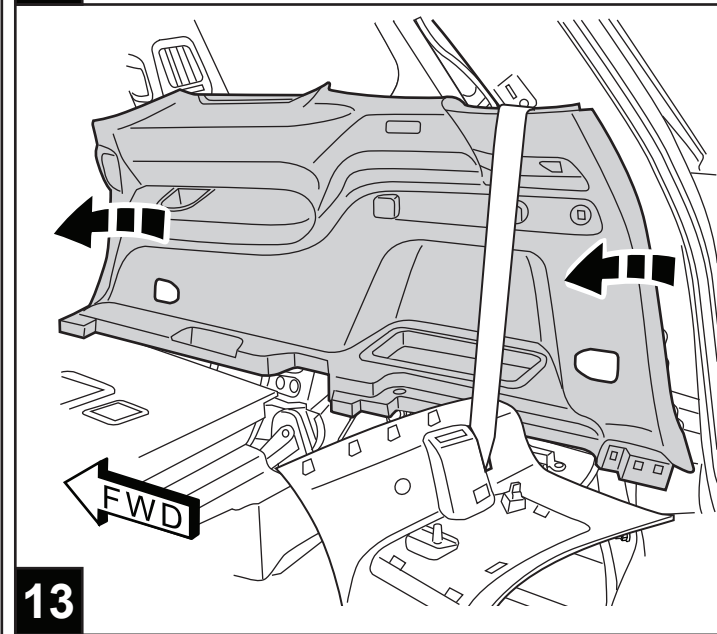
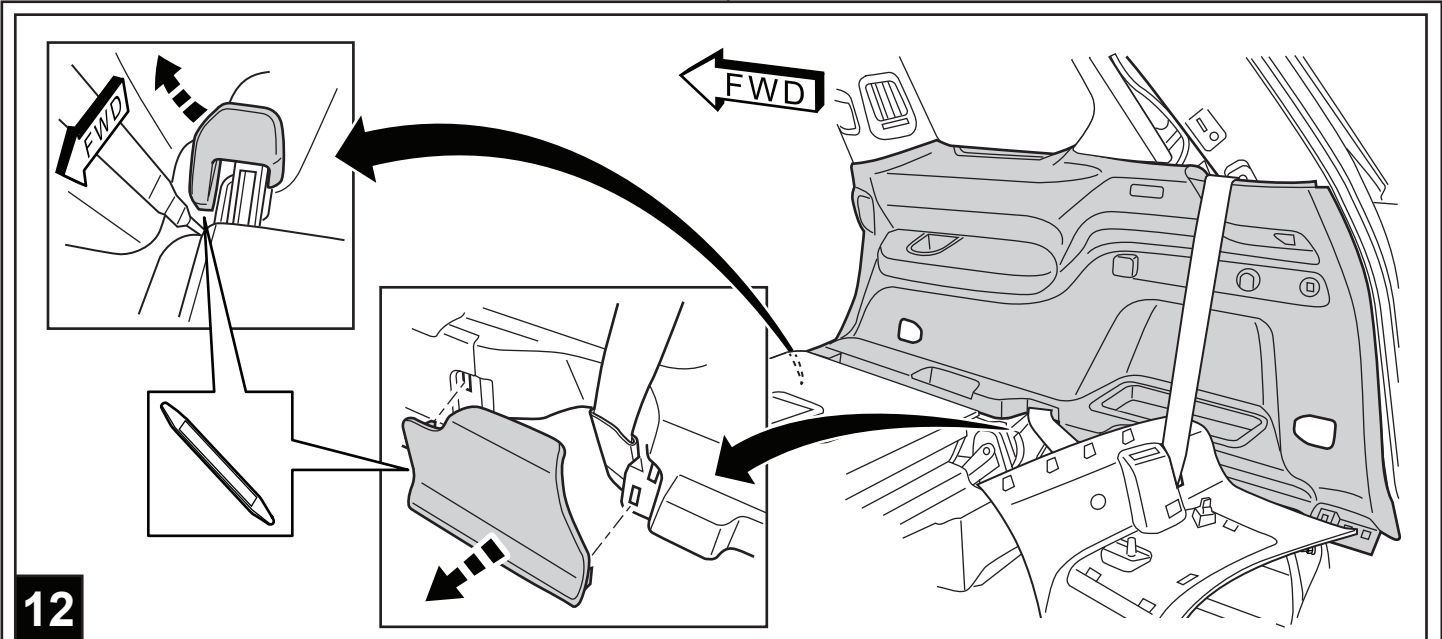


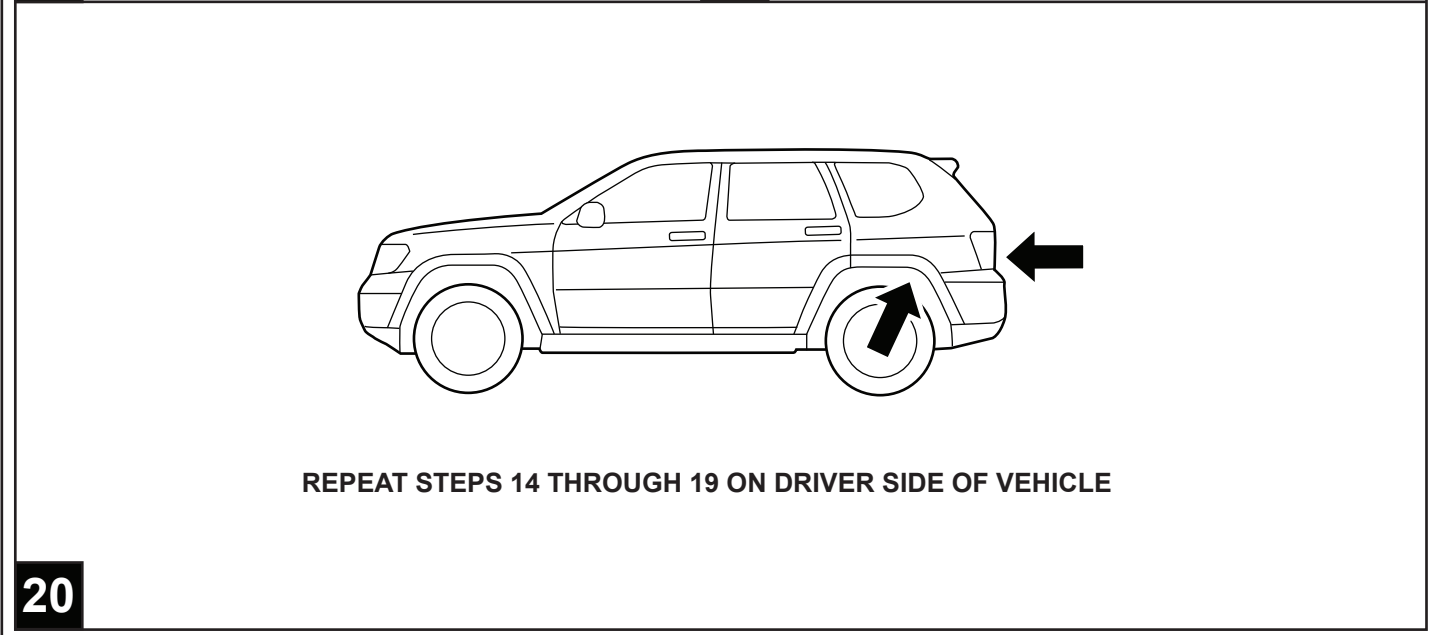
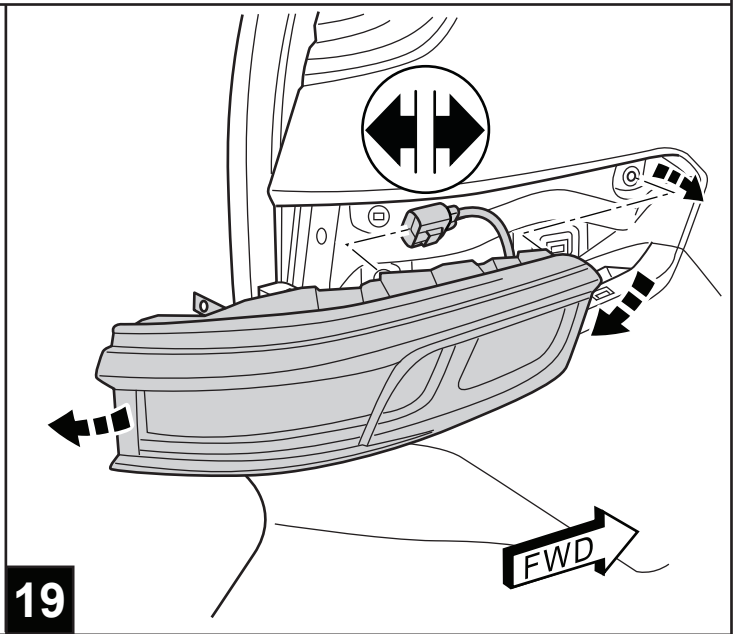
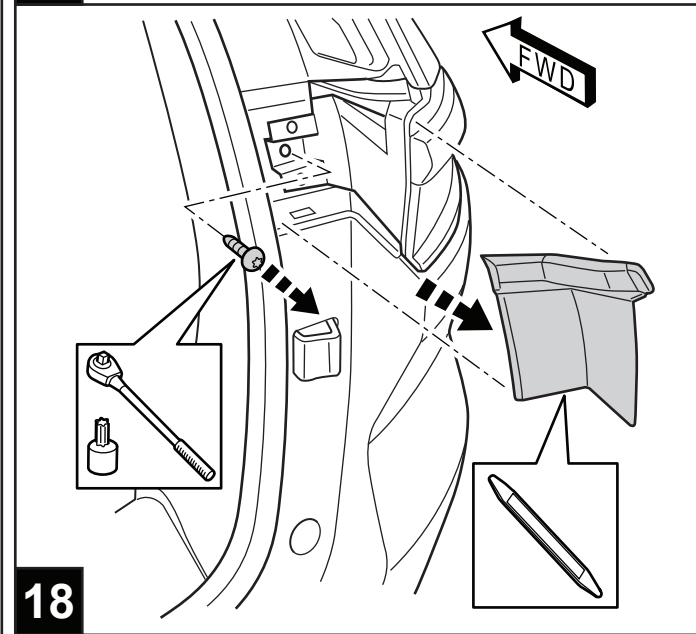
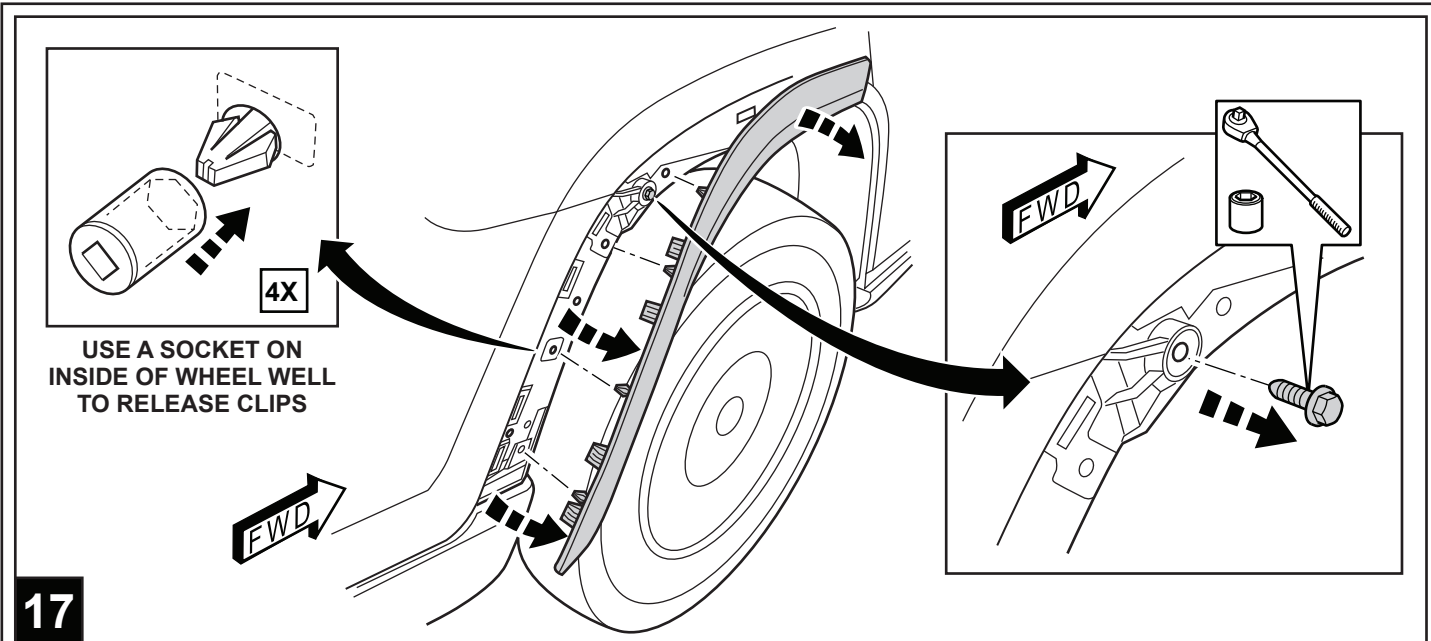
9

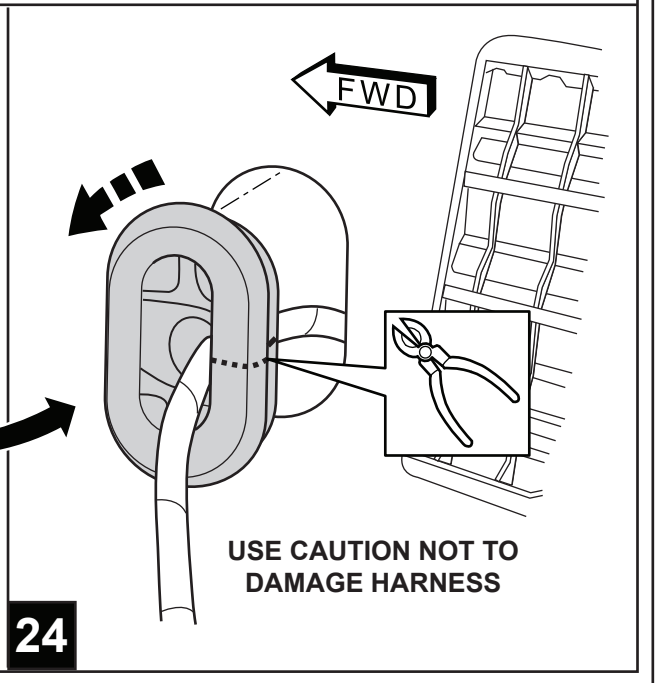
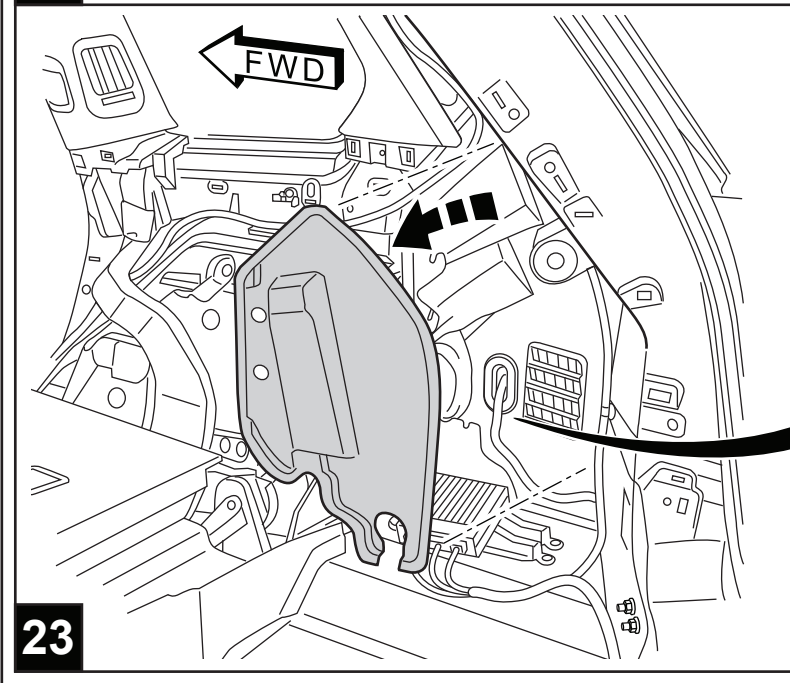
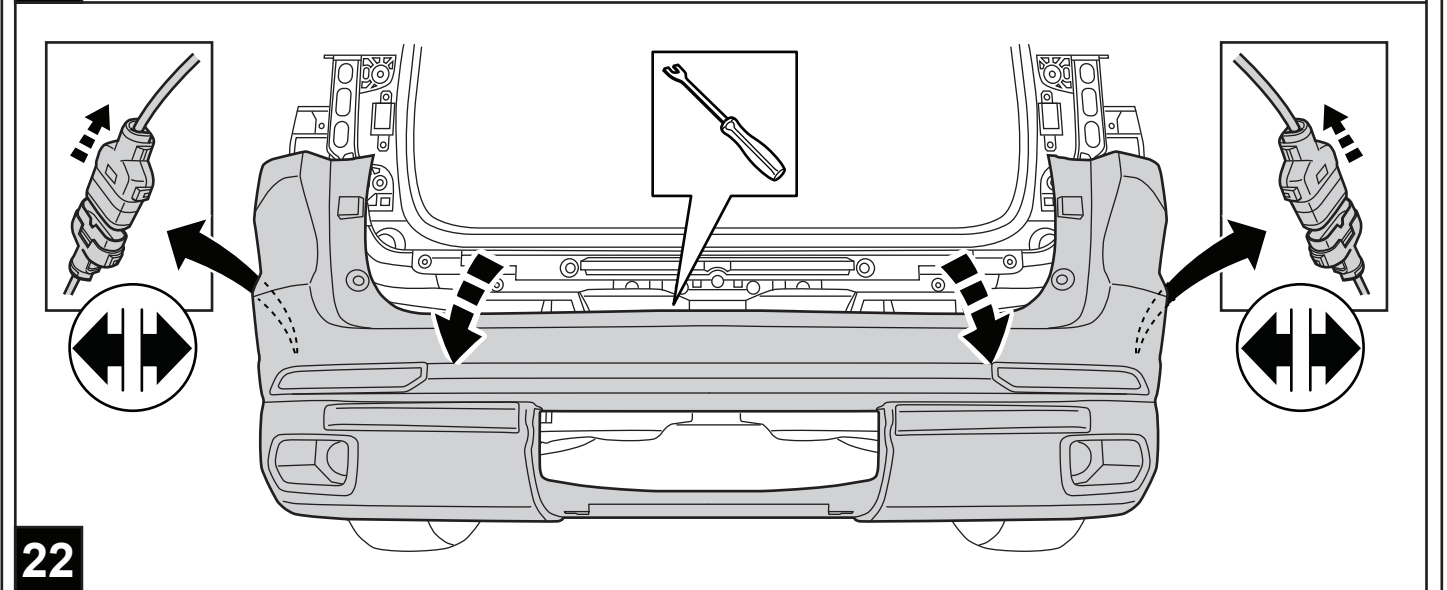
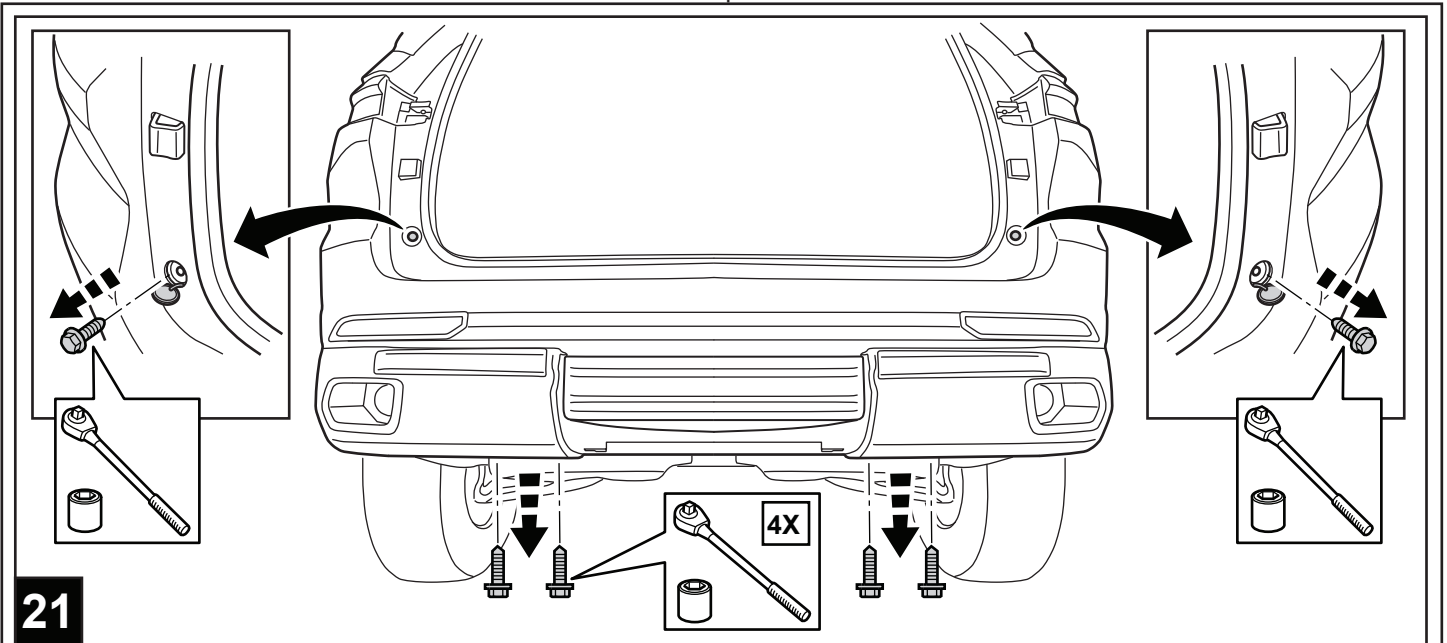


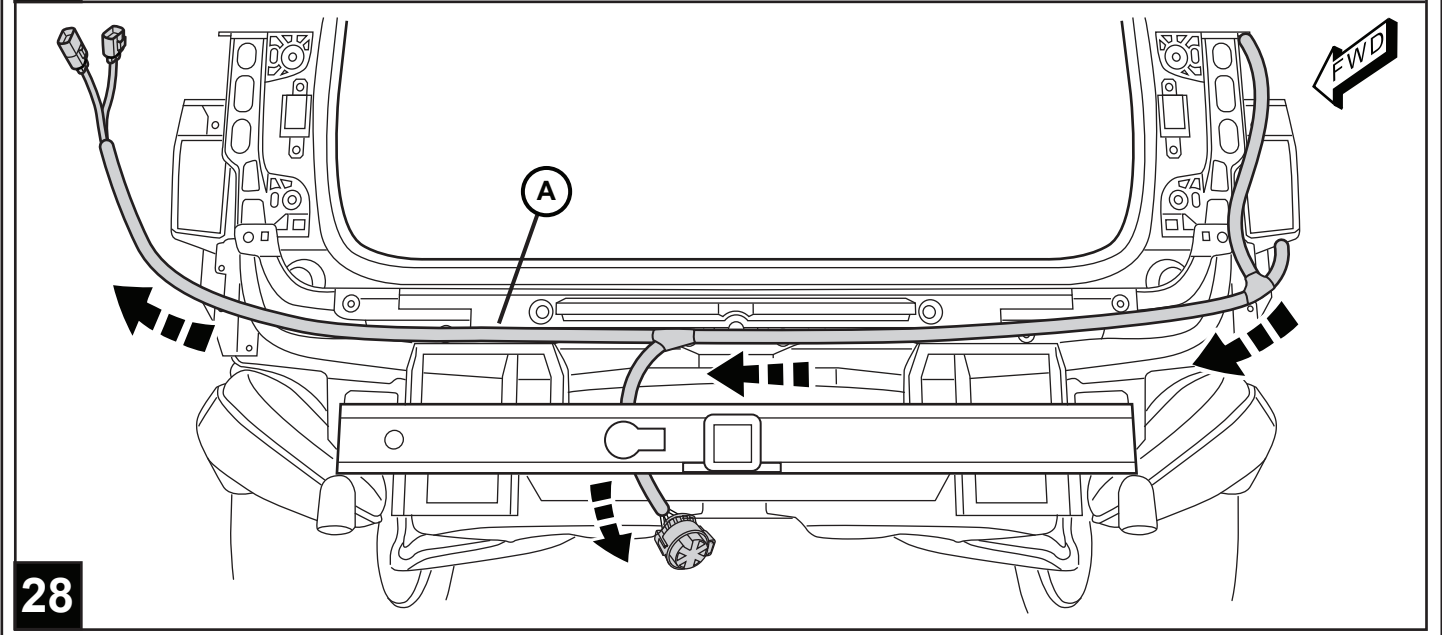
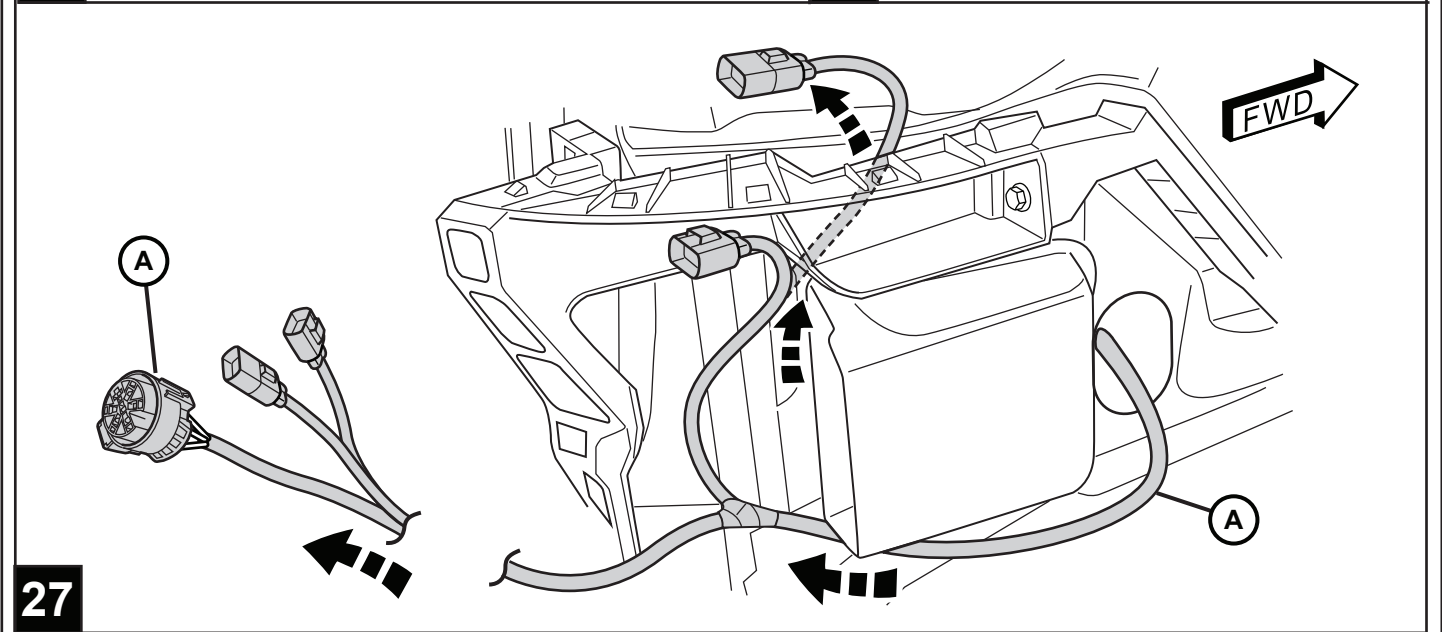
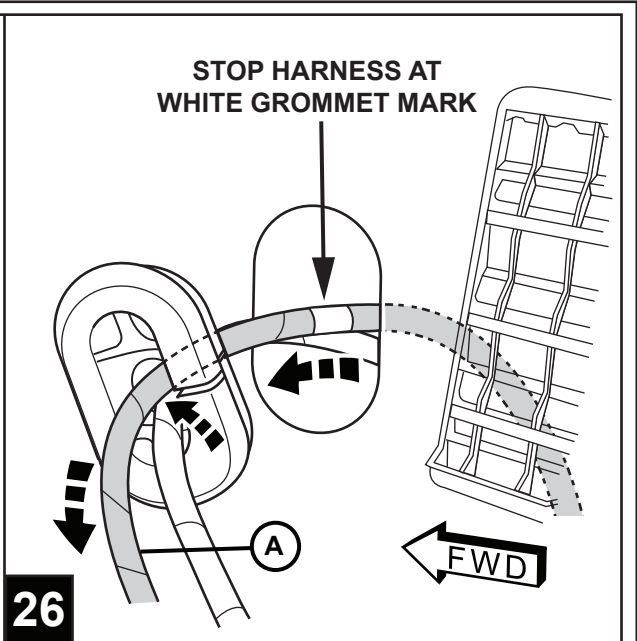
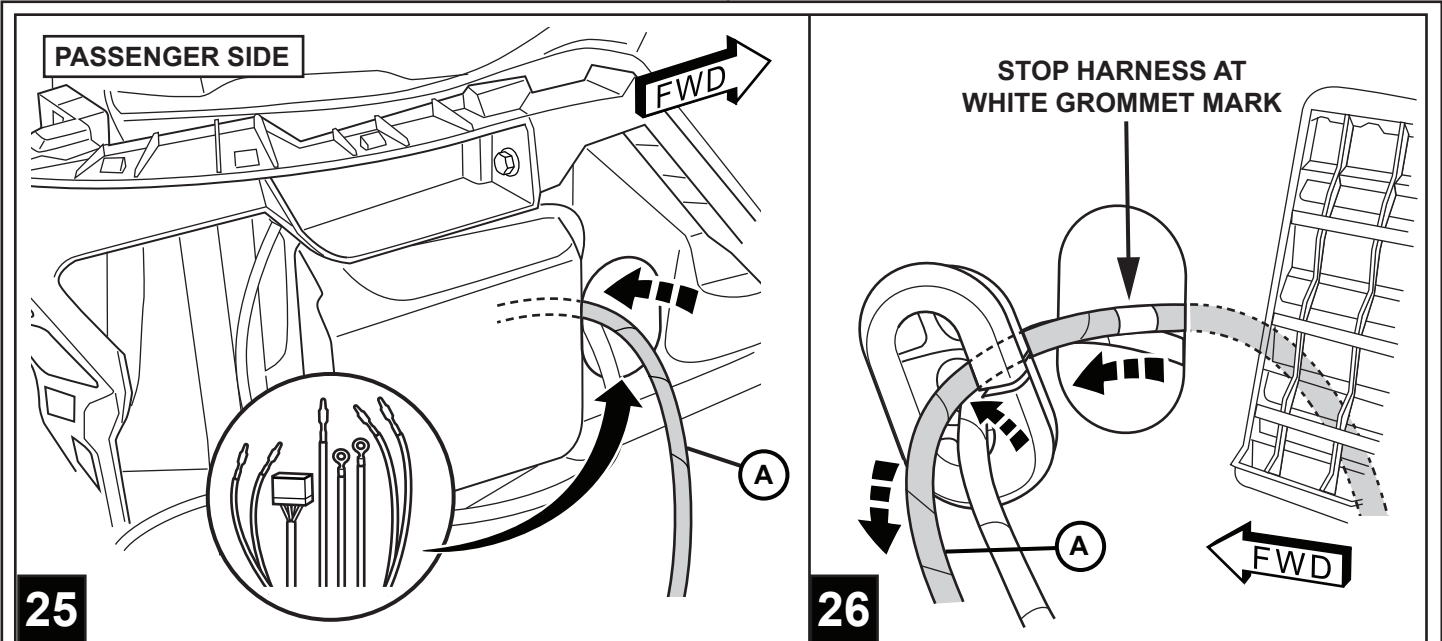
10

11

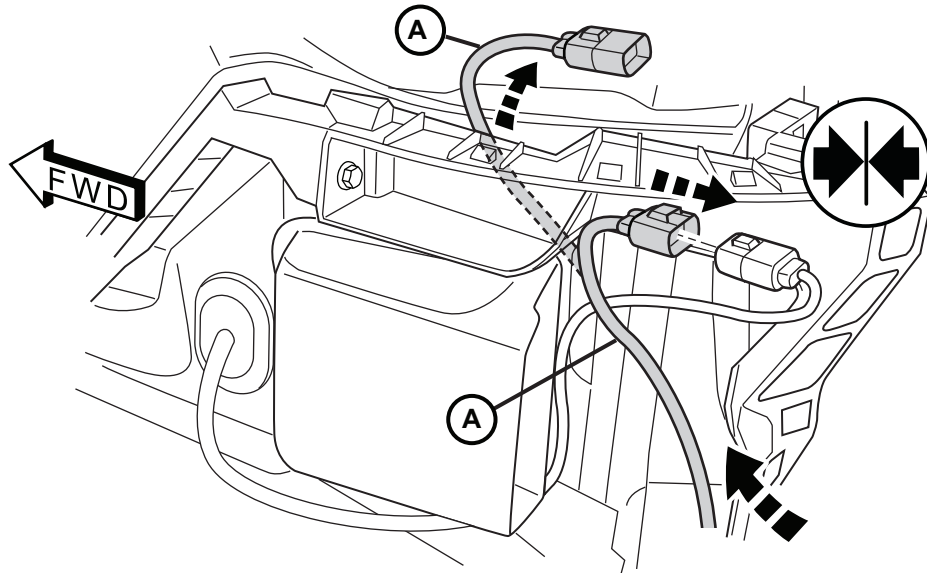




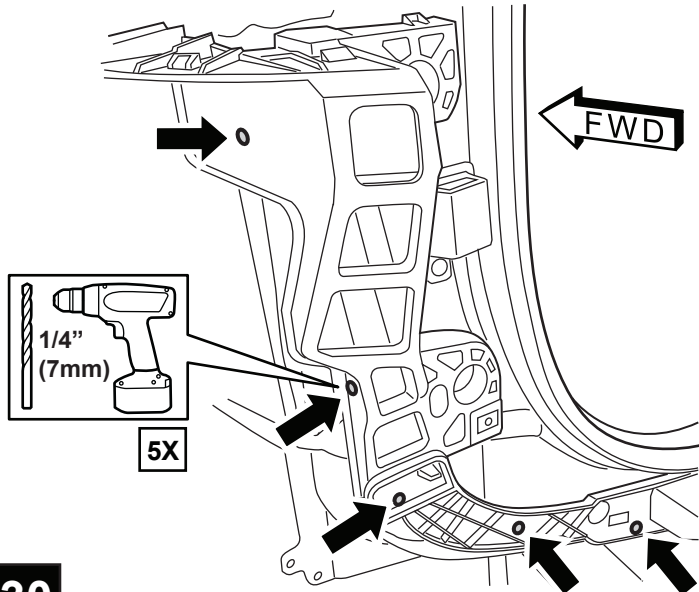




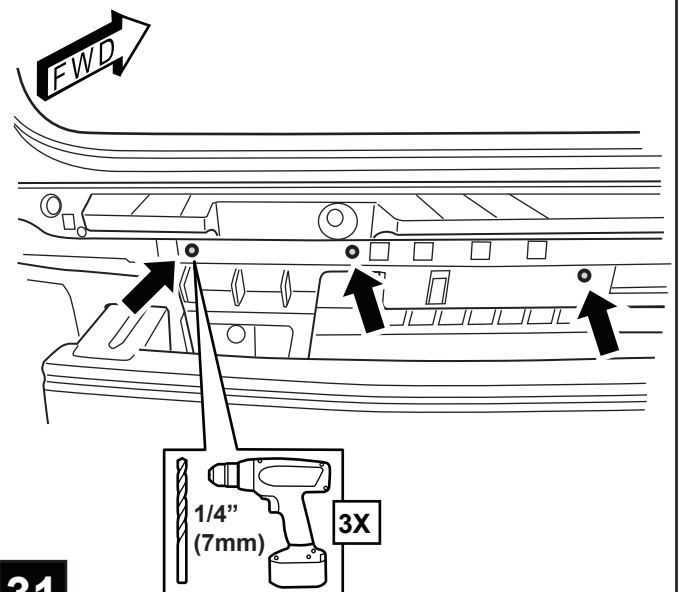
**DRIVER SIDE**



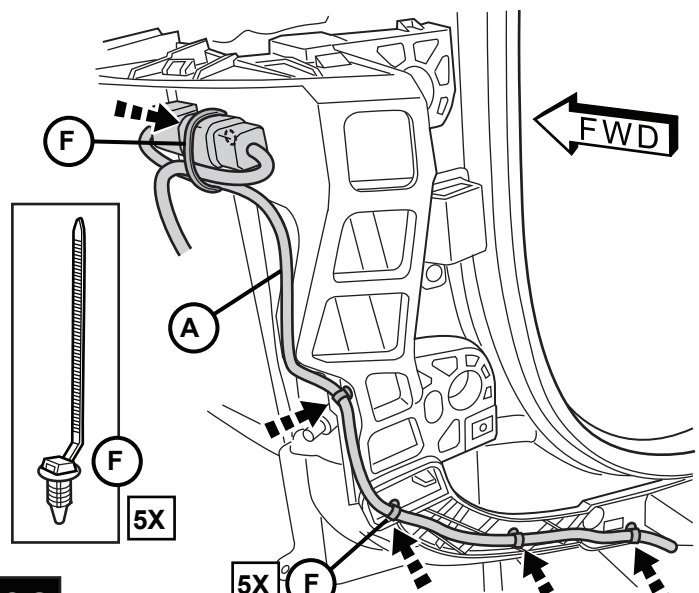
**29**



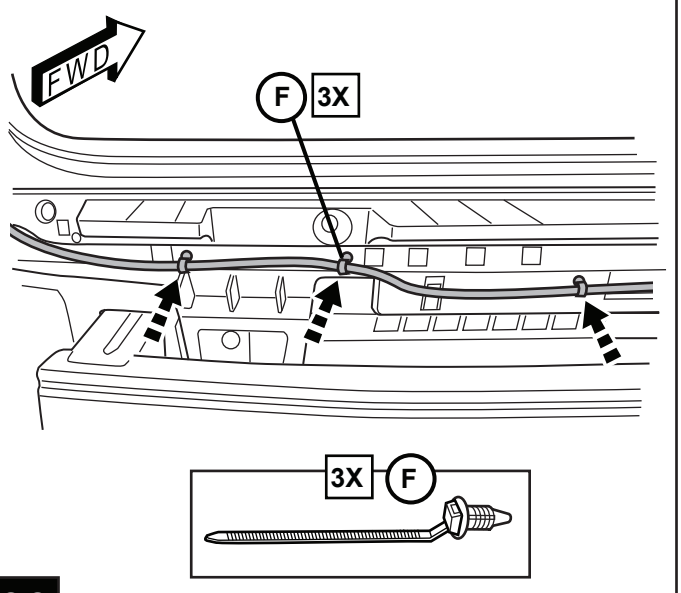
**30**



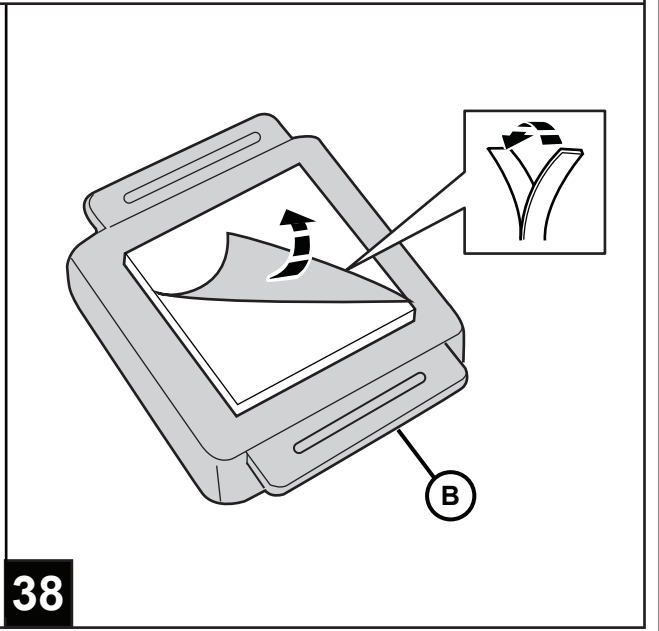
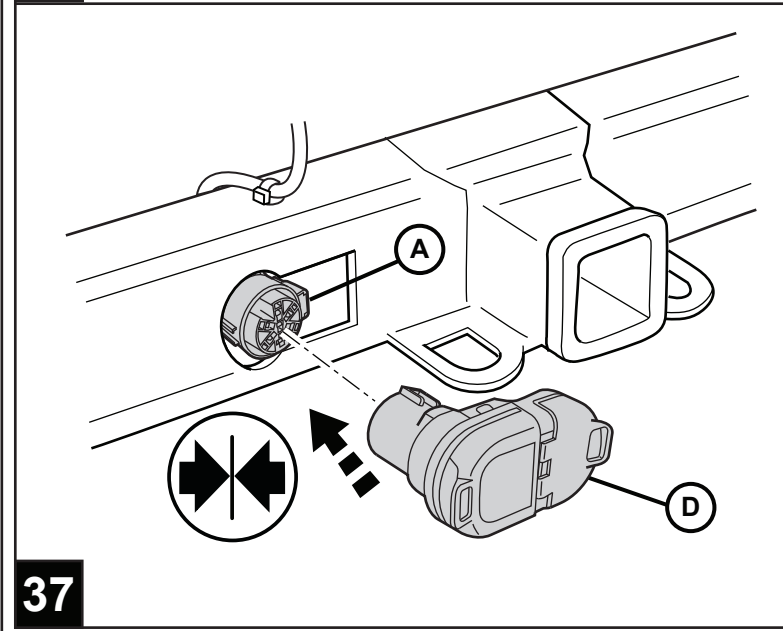
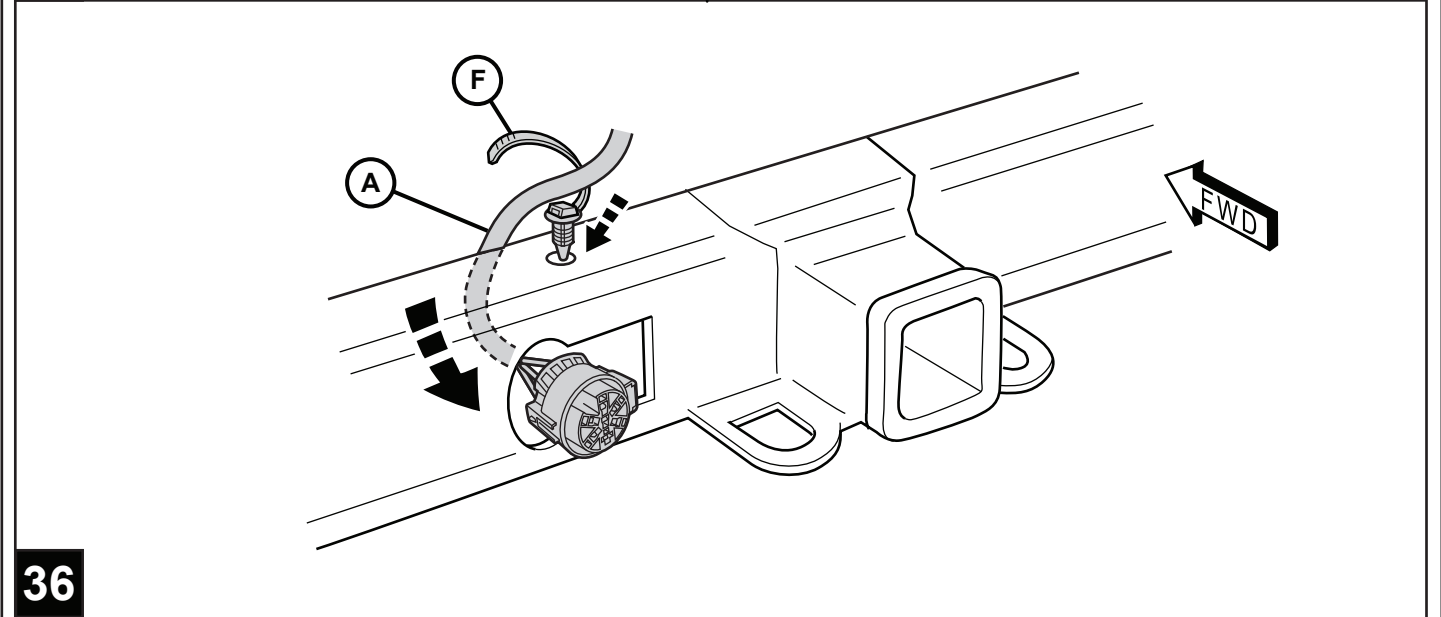
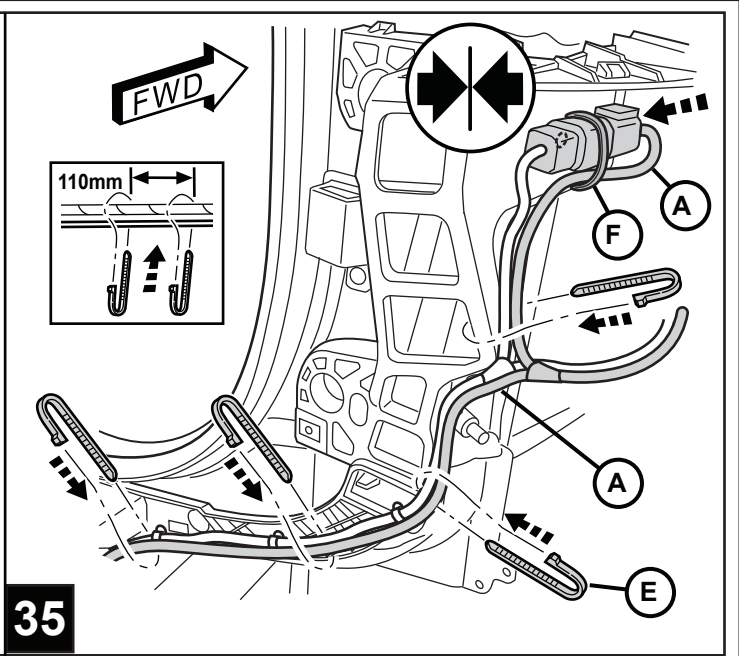
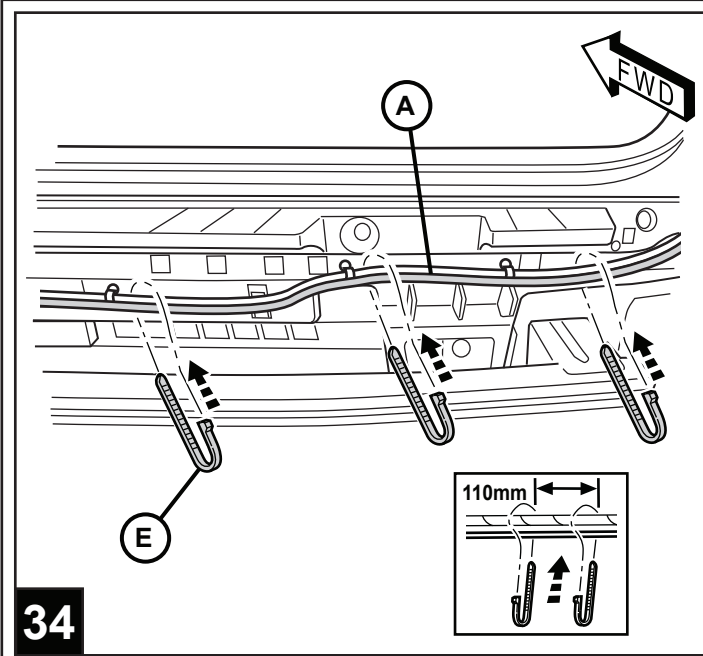
**31**

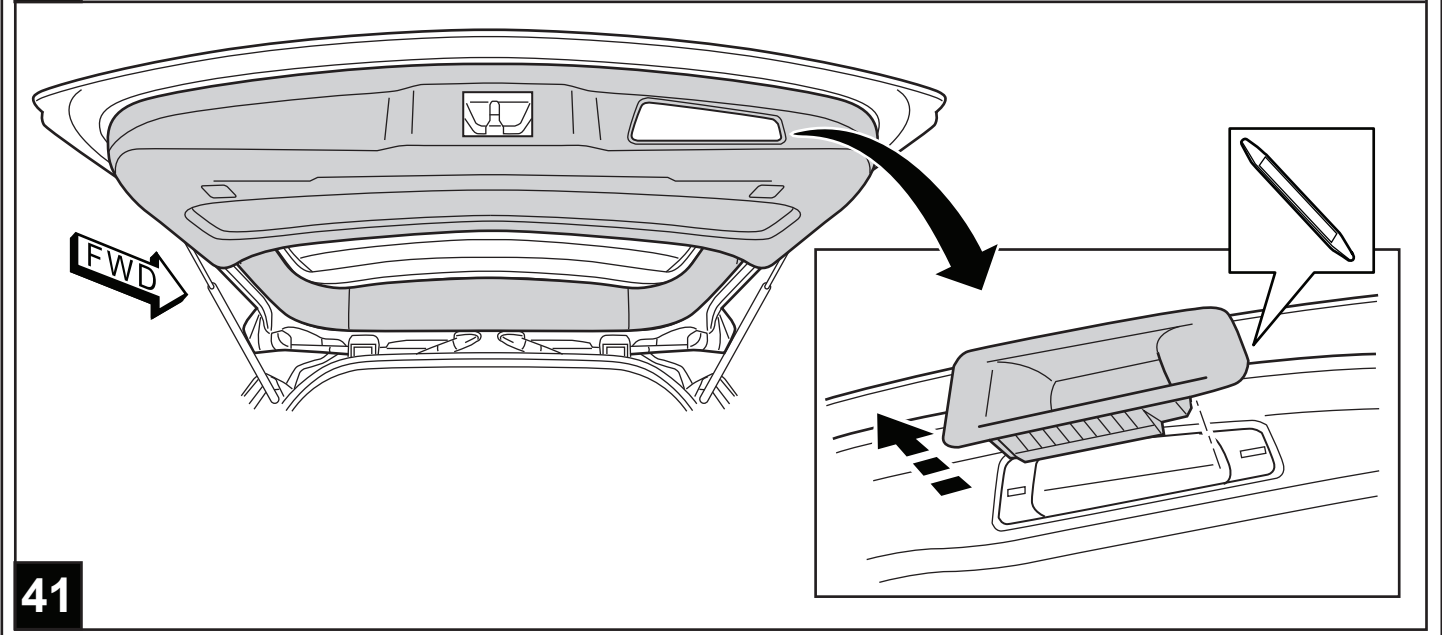
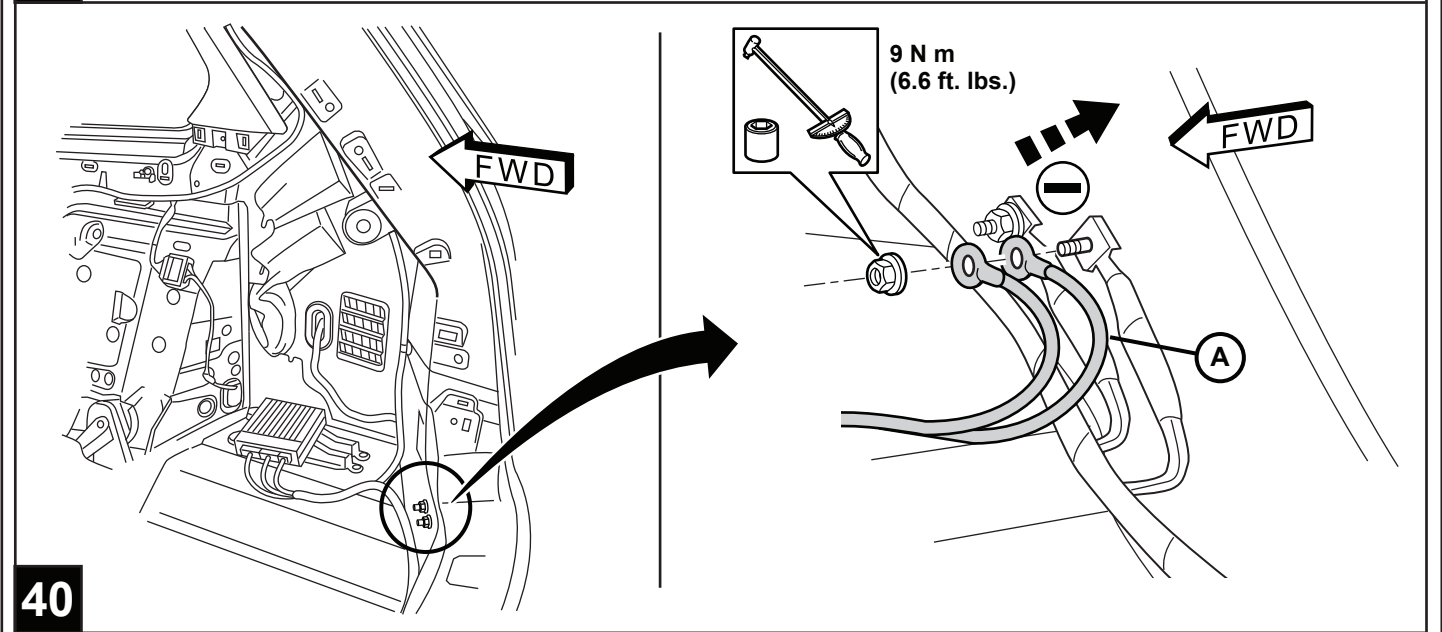
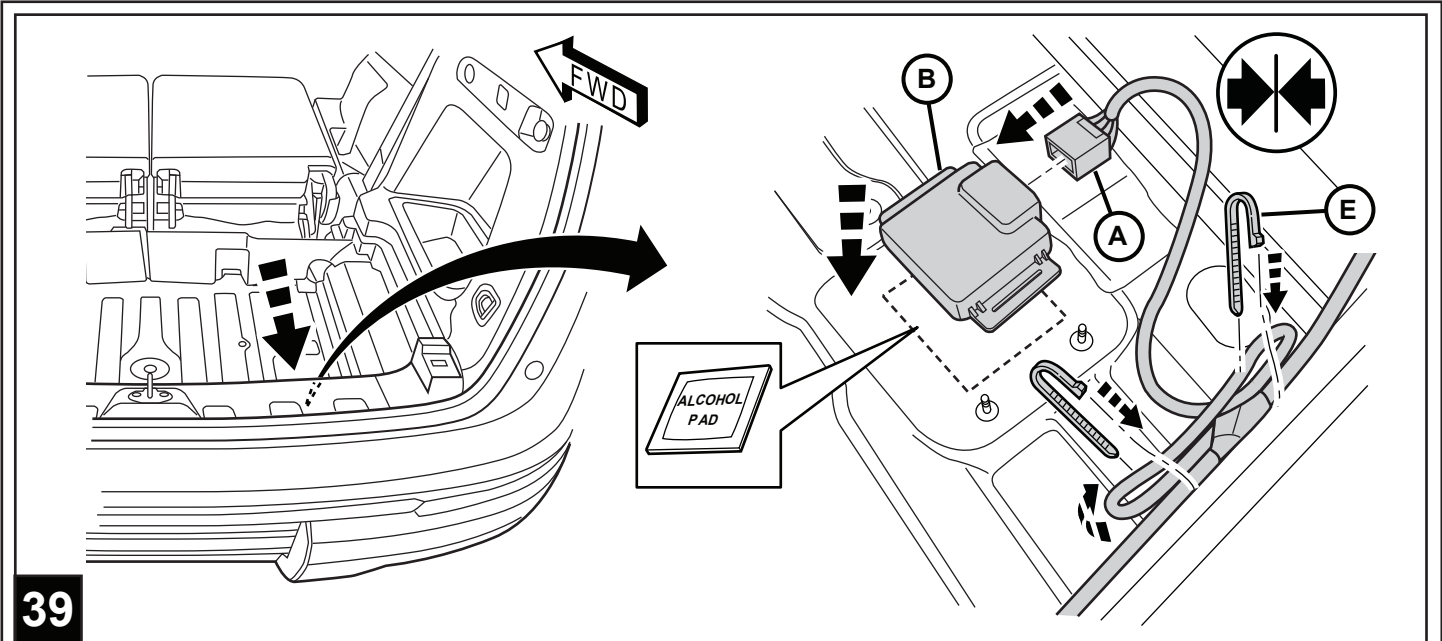


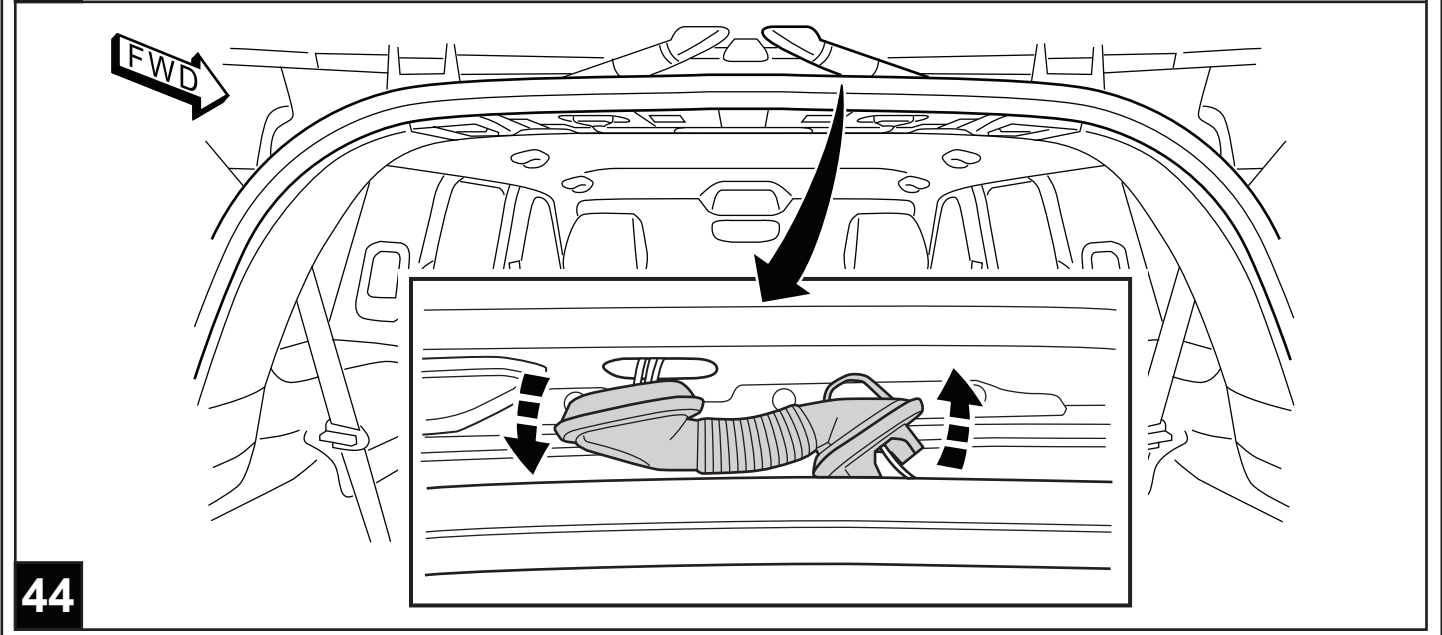
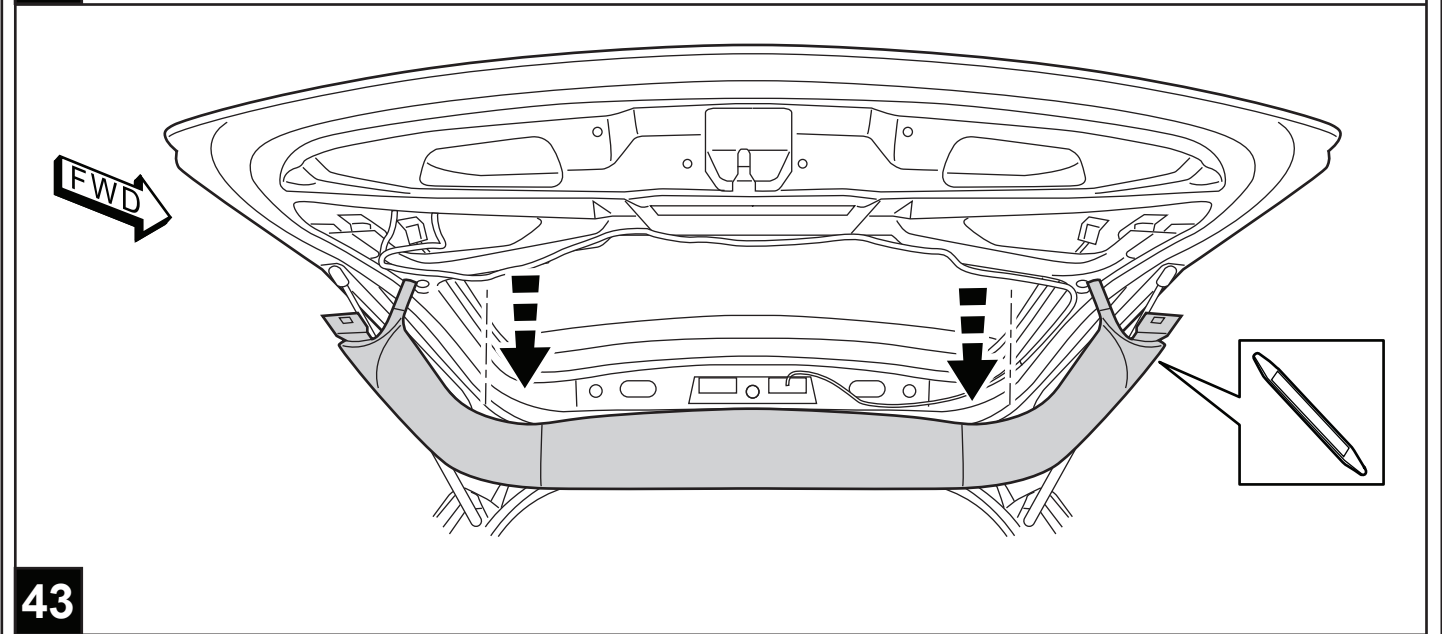
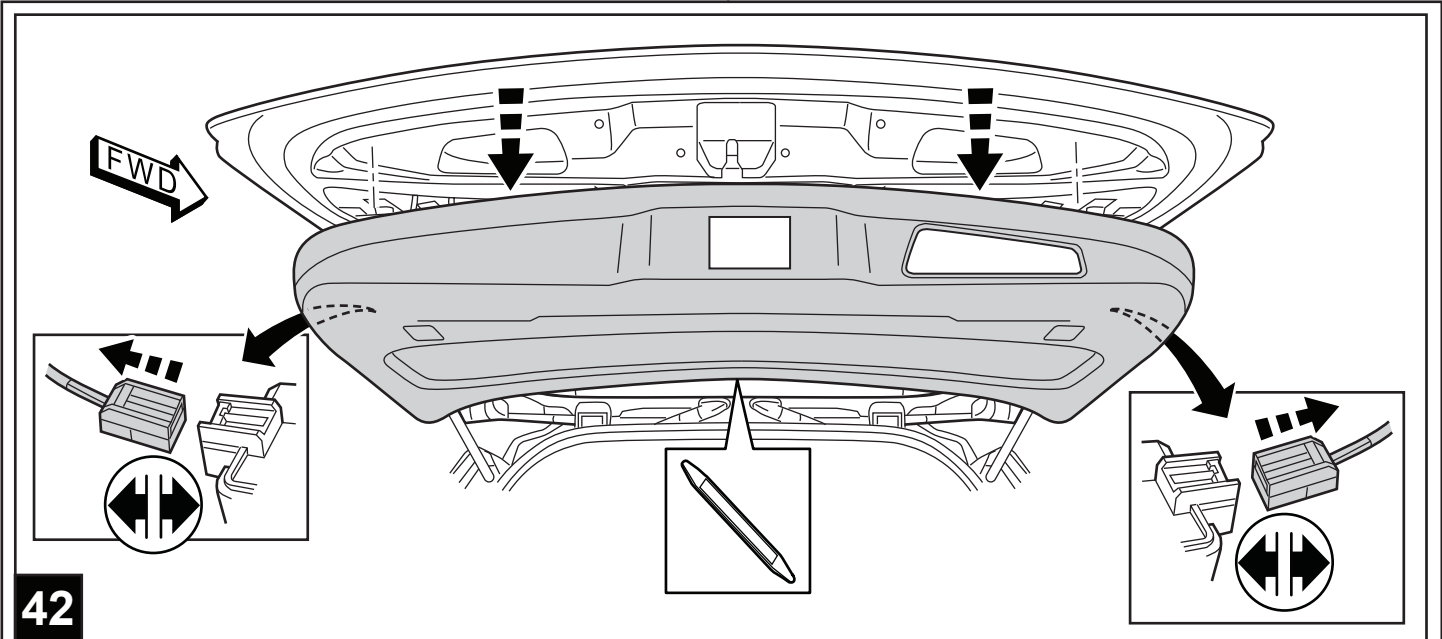
**32**

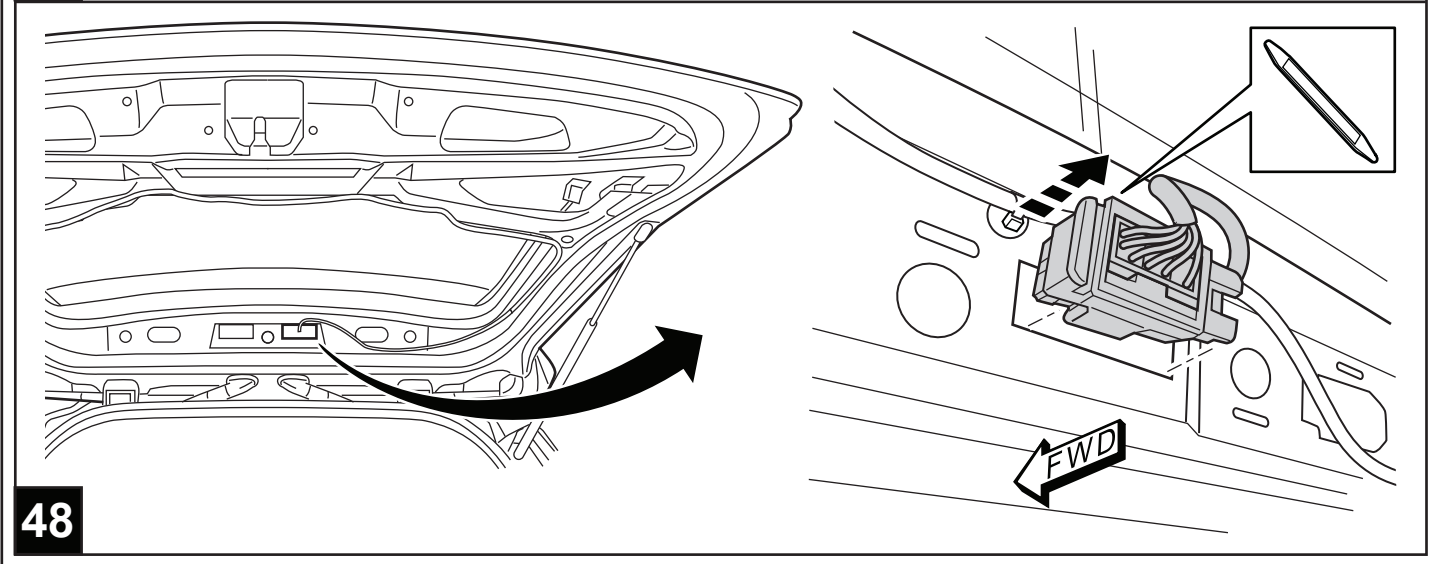
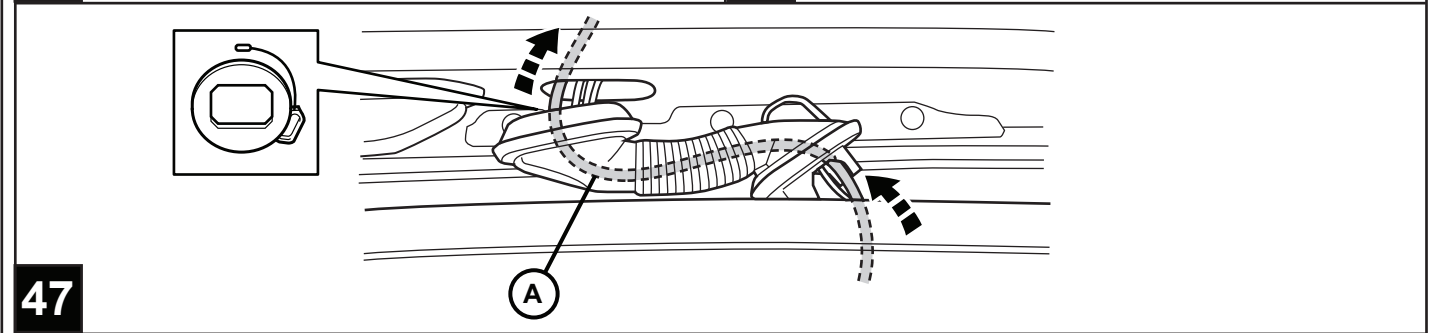
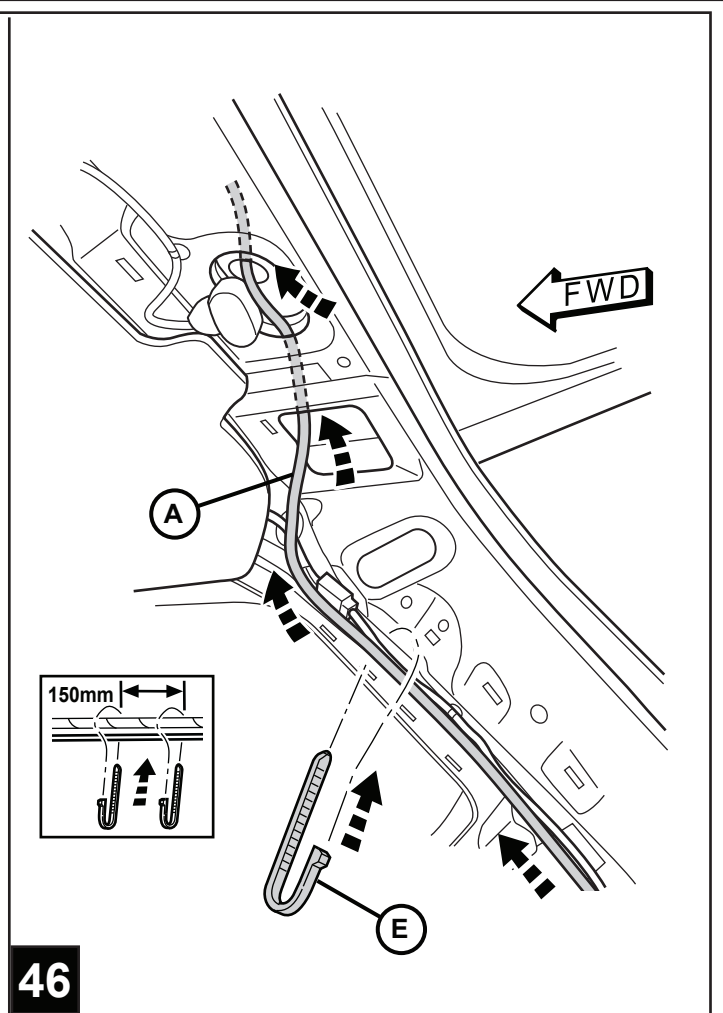
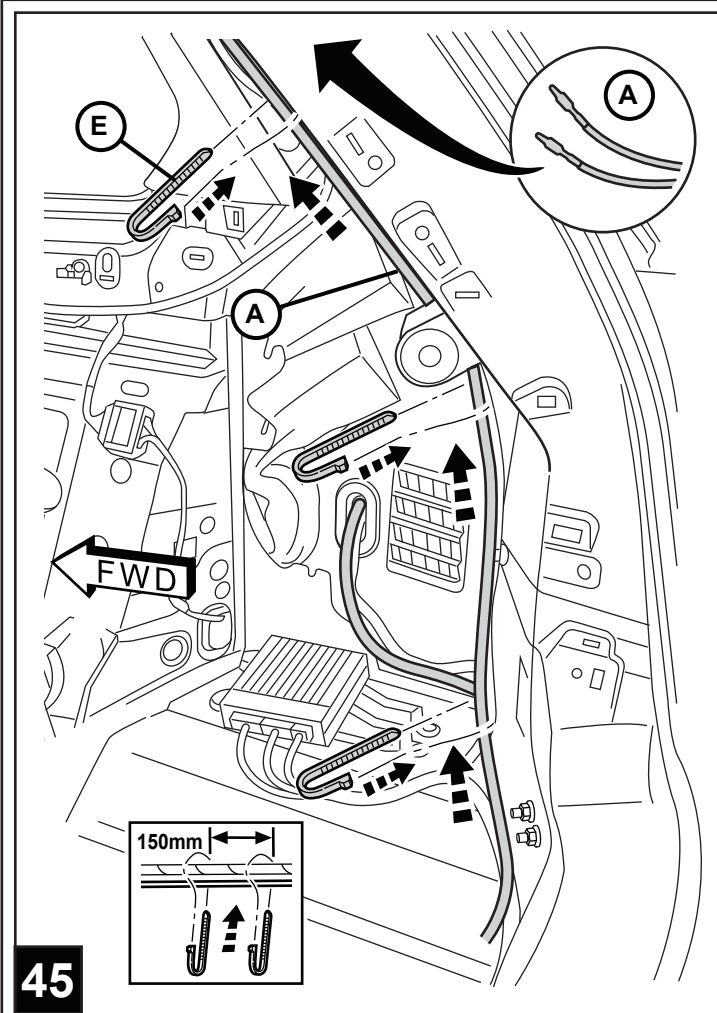


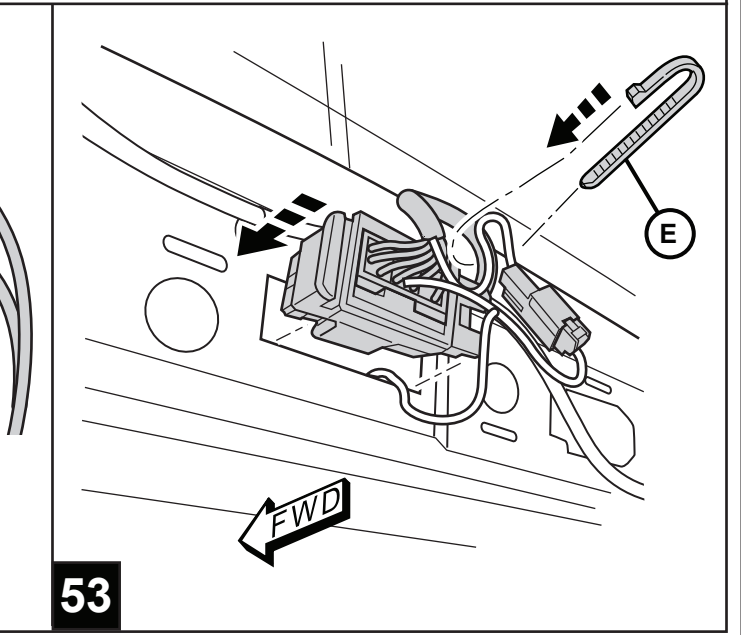
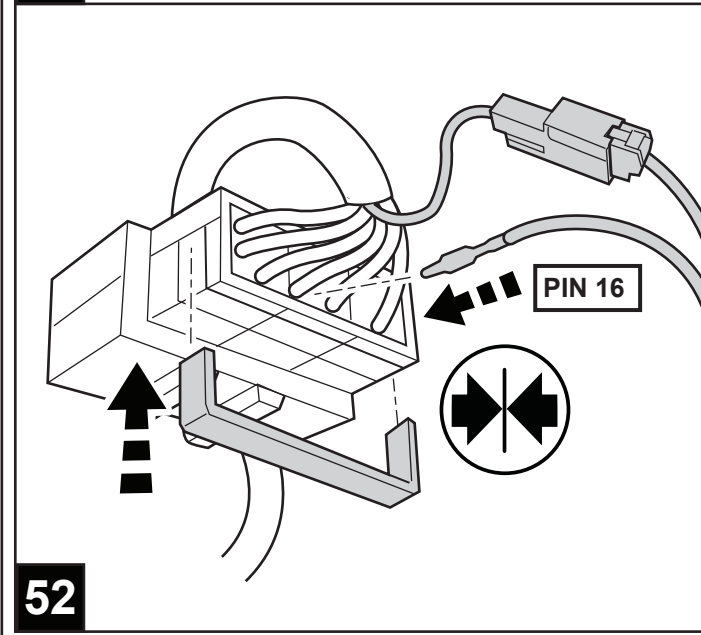
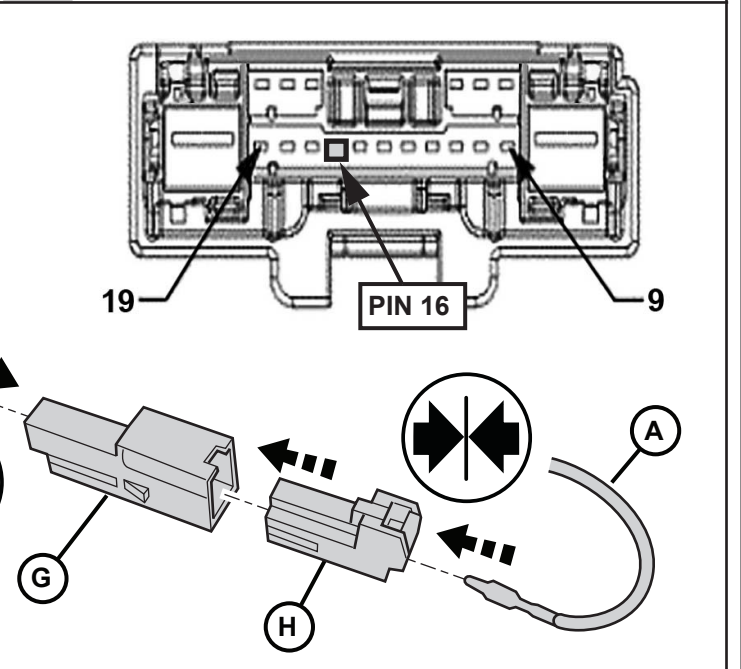
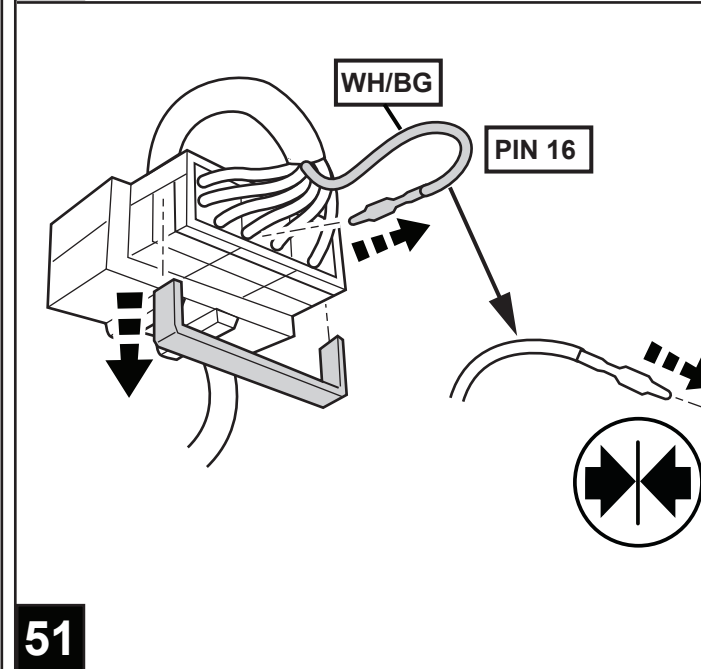
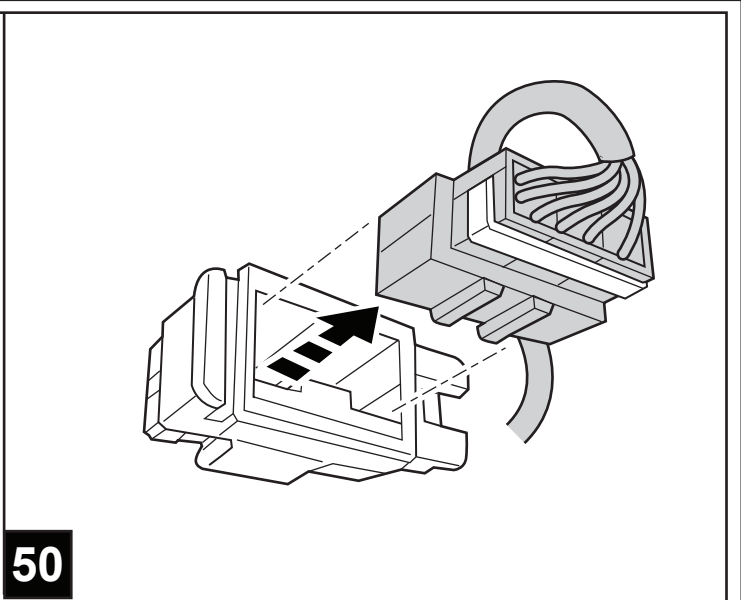
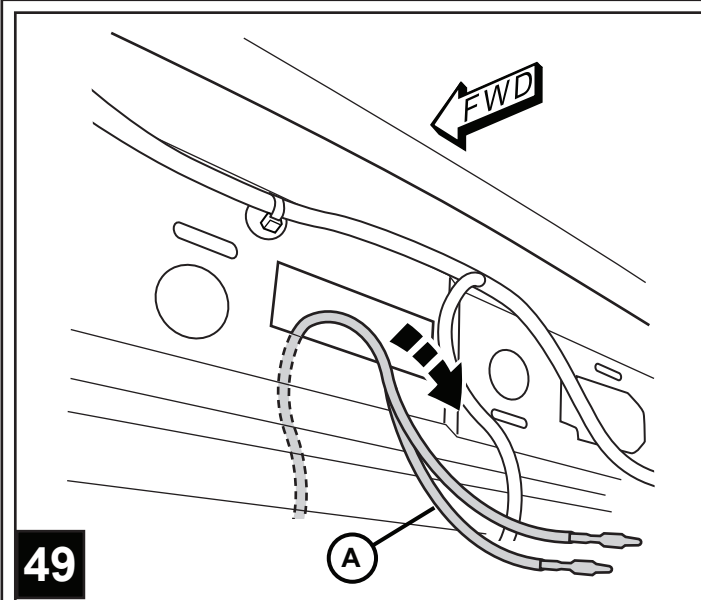
**33**

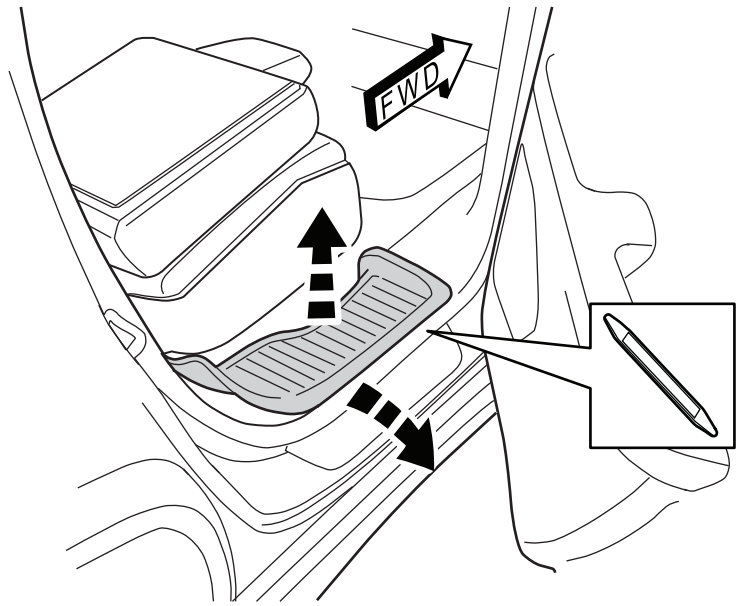
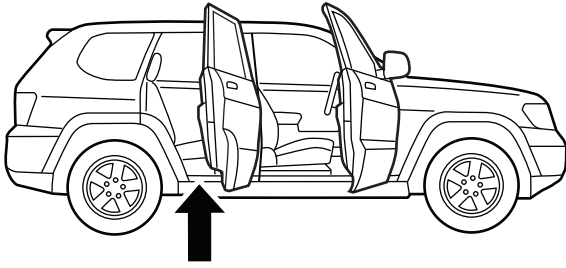






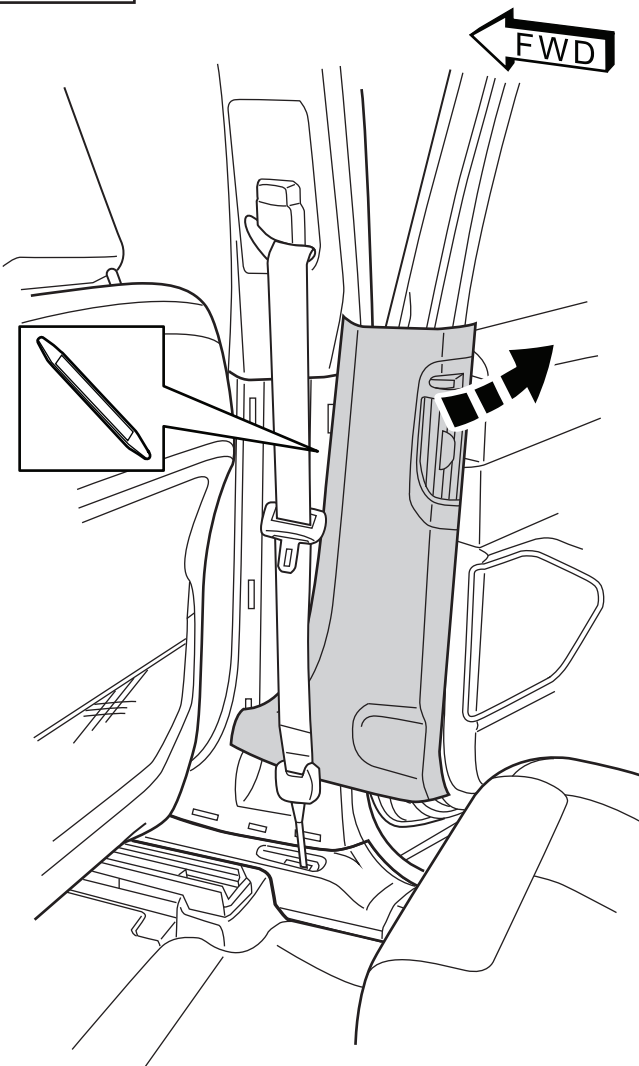






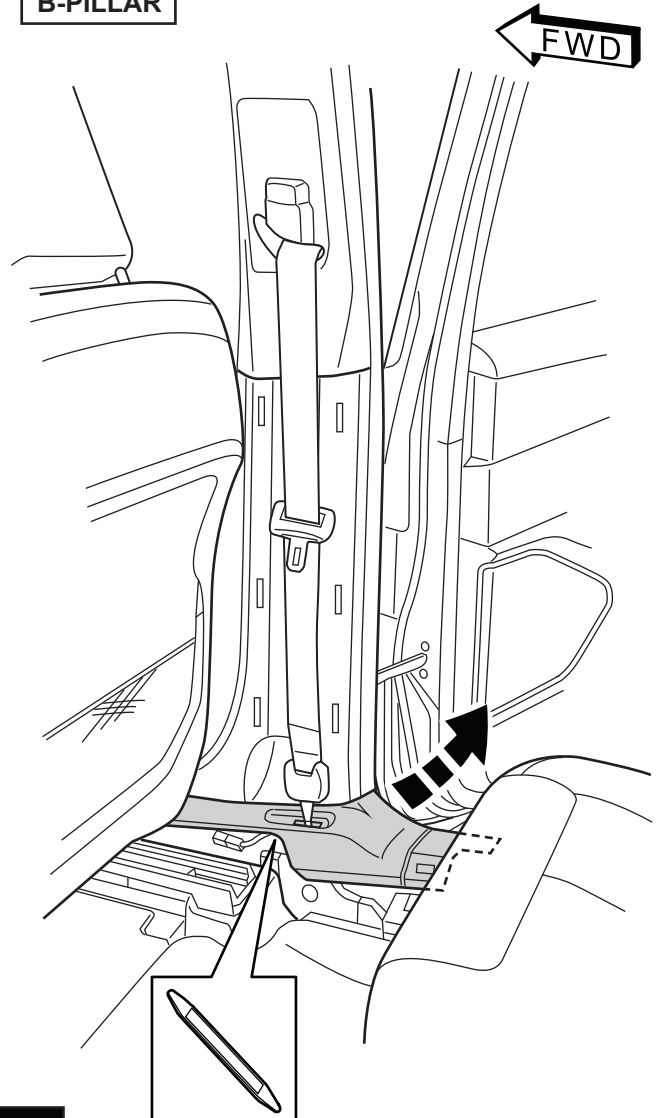
54

B-PILLAR

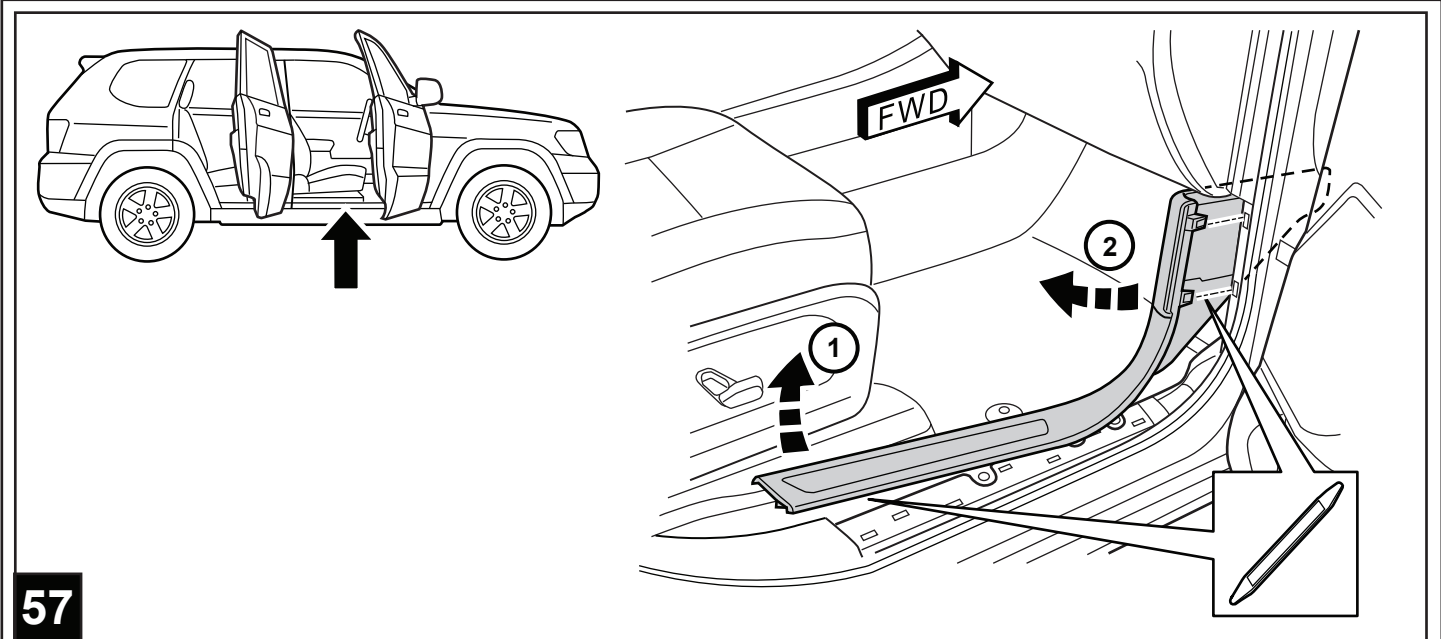


55

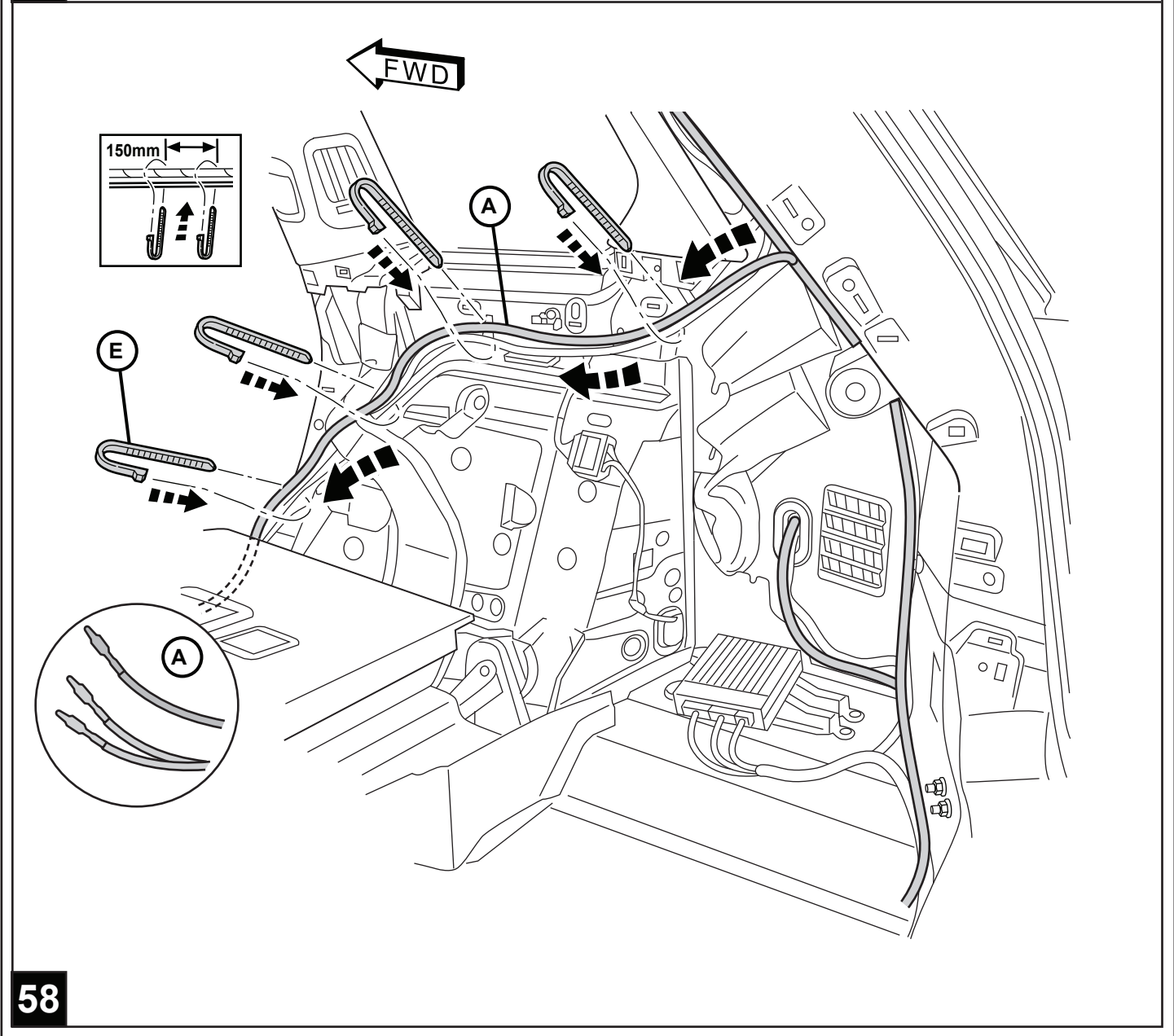
B-PILLAR



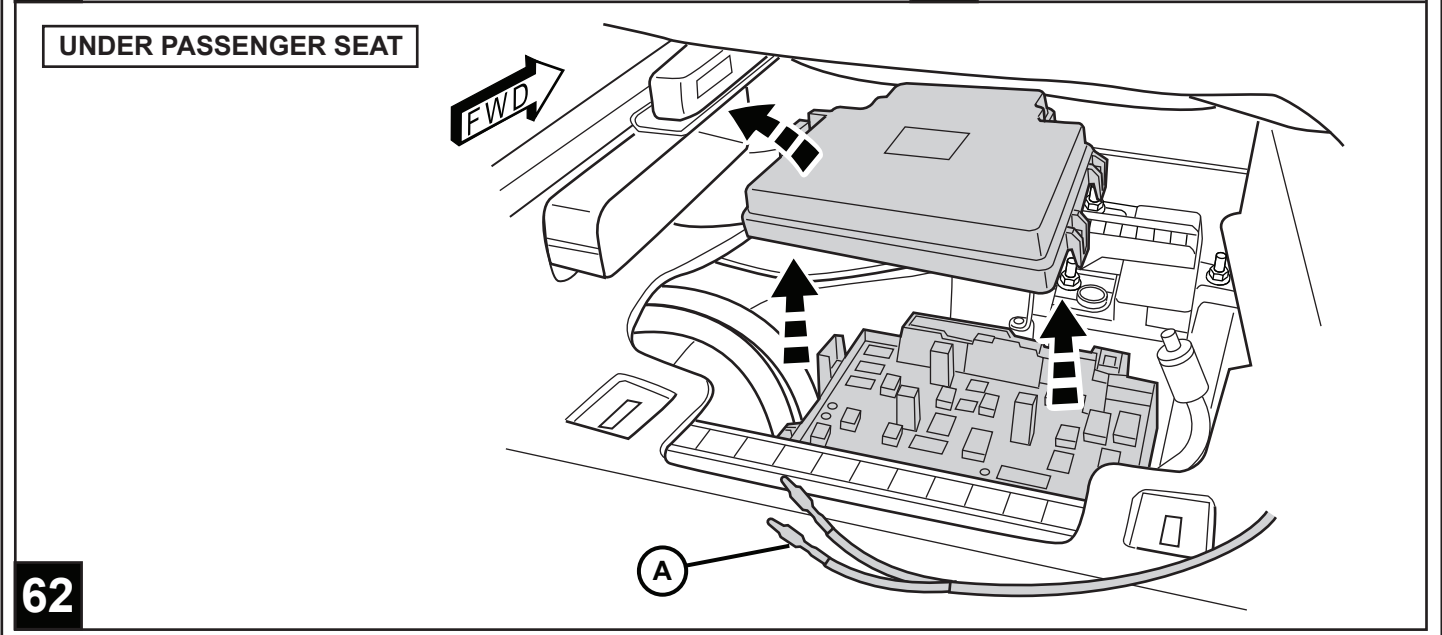
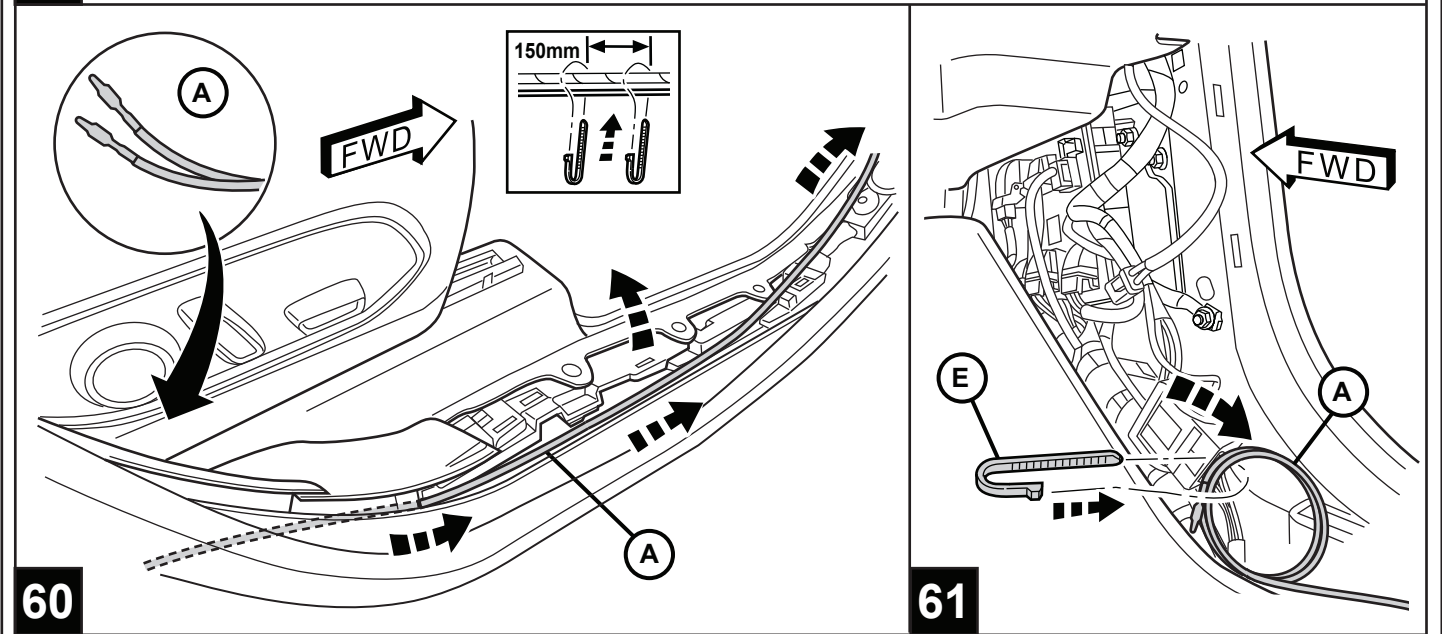
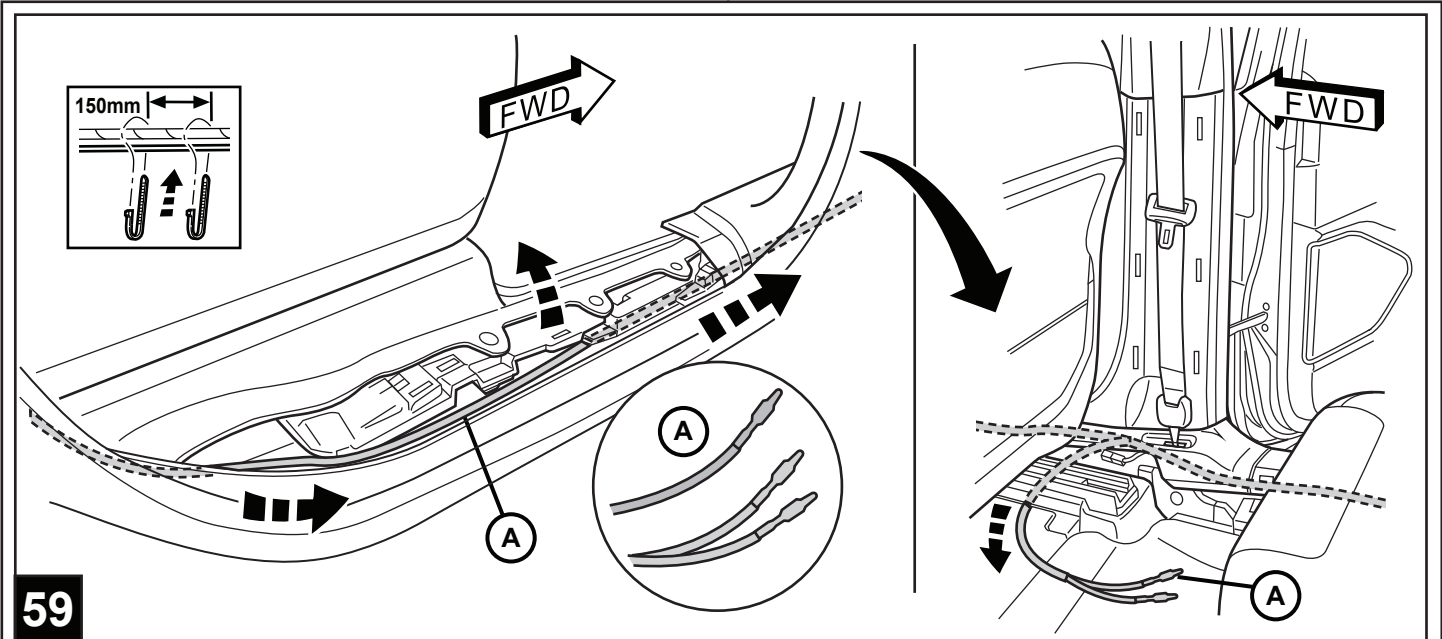
56

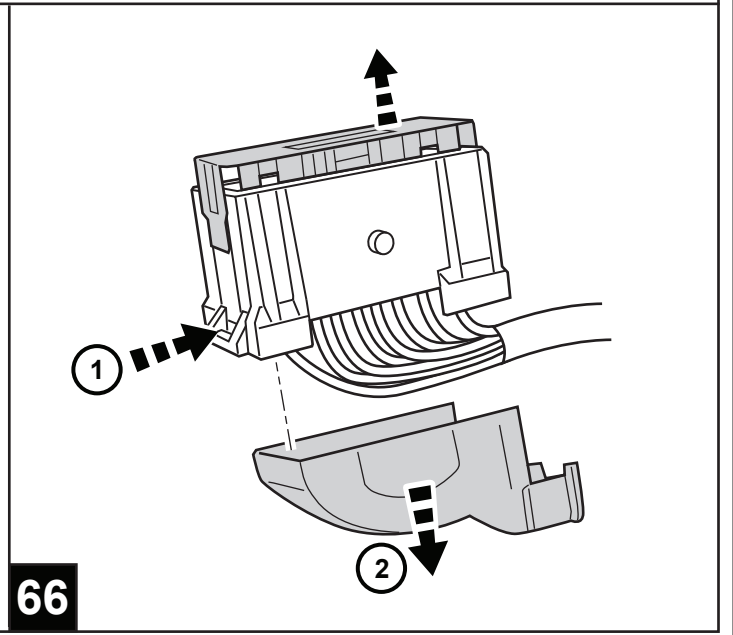
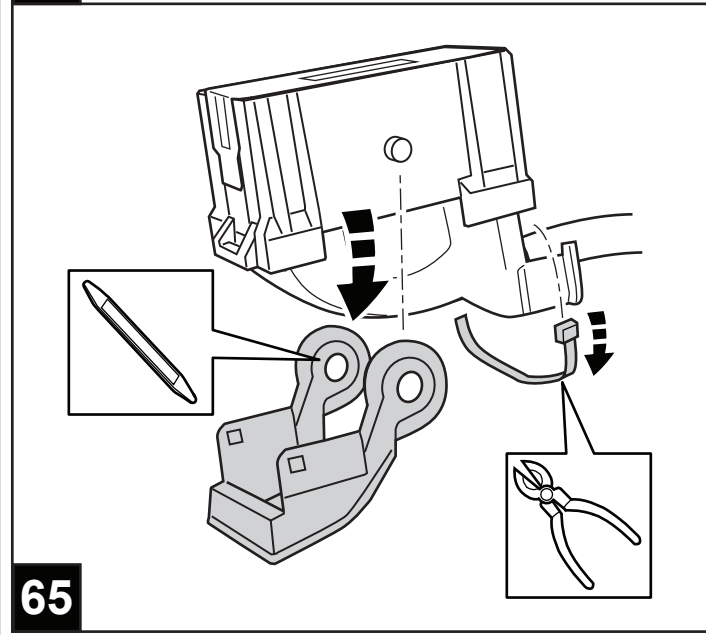
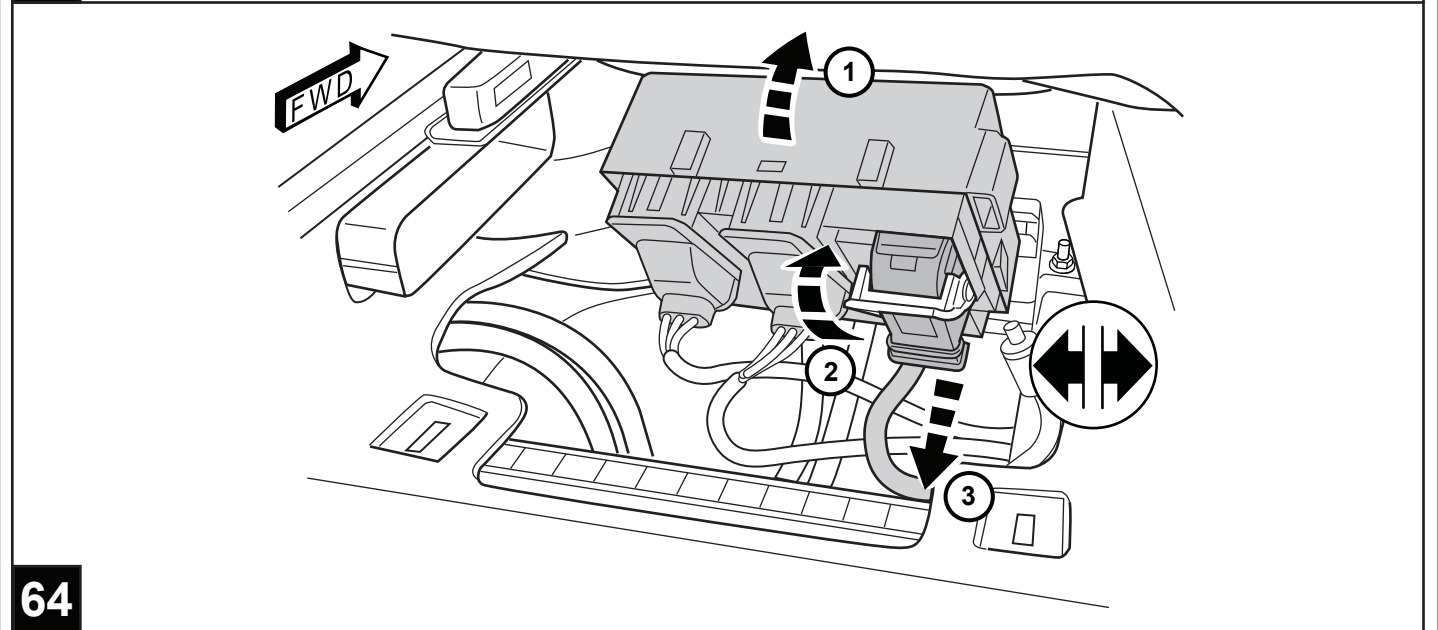
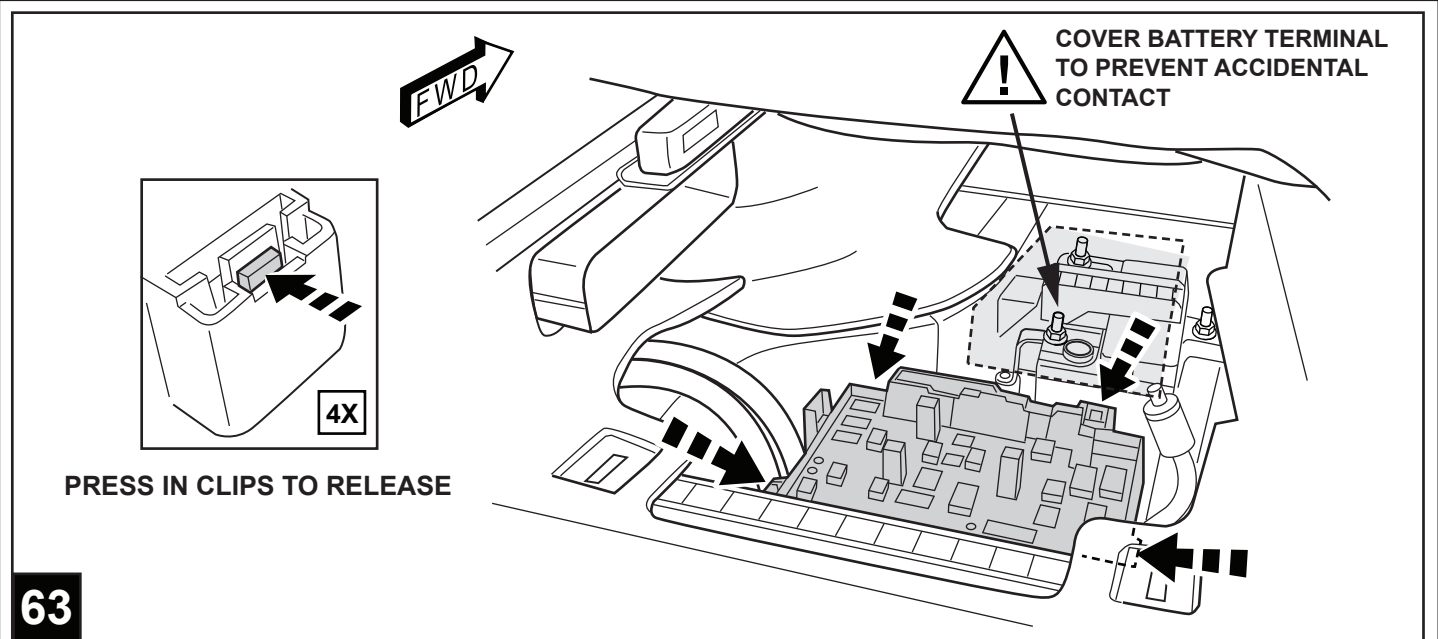


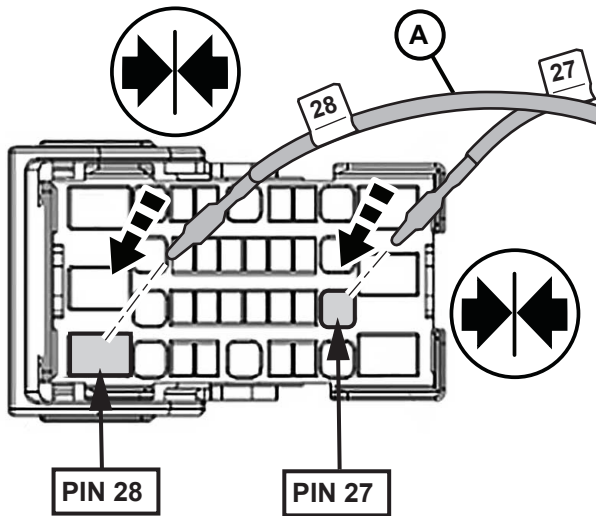
57



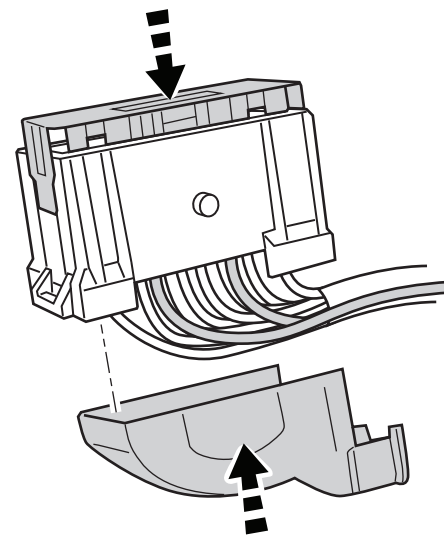
58



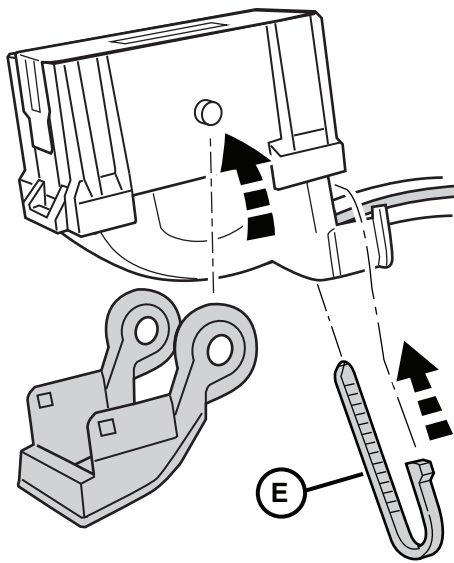




67



68



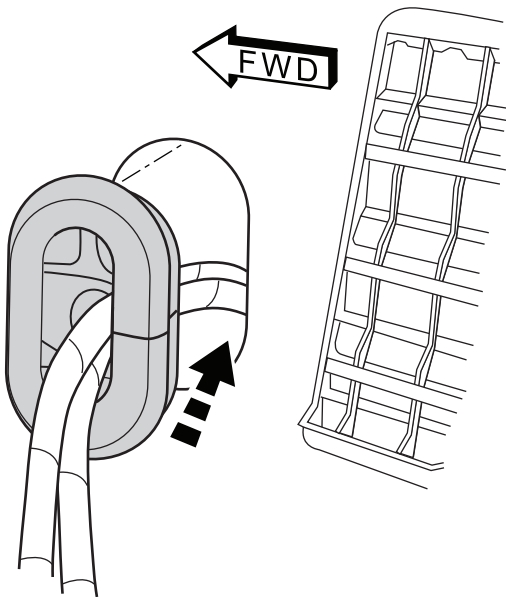
69

REVERSE STEPS 62 THROUGH 64 TO REINSTALL VEHICLE COMPONENTS UNDER PASSENGER SEAT.

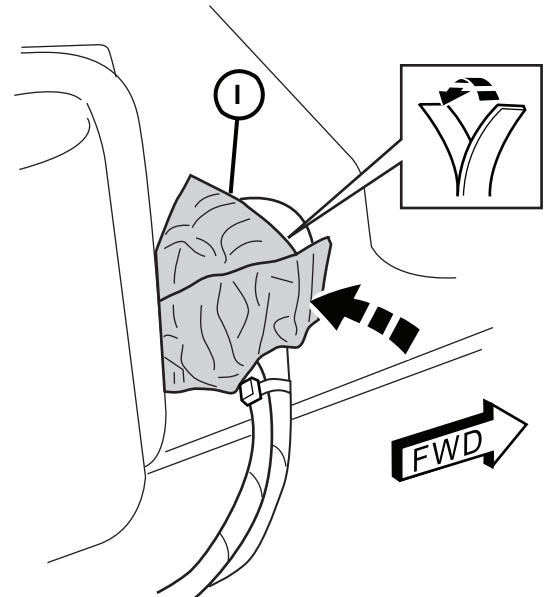
SECURE HARNESS (A) WITH CABLE TIES.

DO NOT INTERFERE WITH ANY MOVING PARTS.

70



71



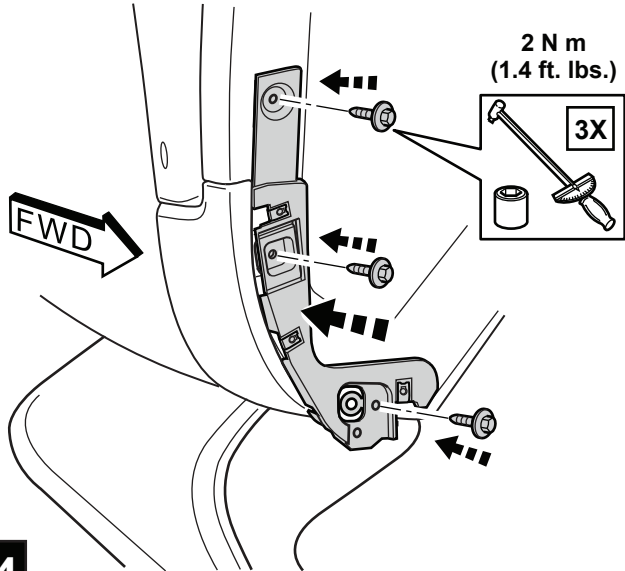
72

REVERSE STEPS 54 THROUGH 57, 41 THROUGH 44 AND 4 THROUGH 23  
TO REINSTALL ALL CONNECTORS AND VEHICLE COMPONENTS

73

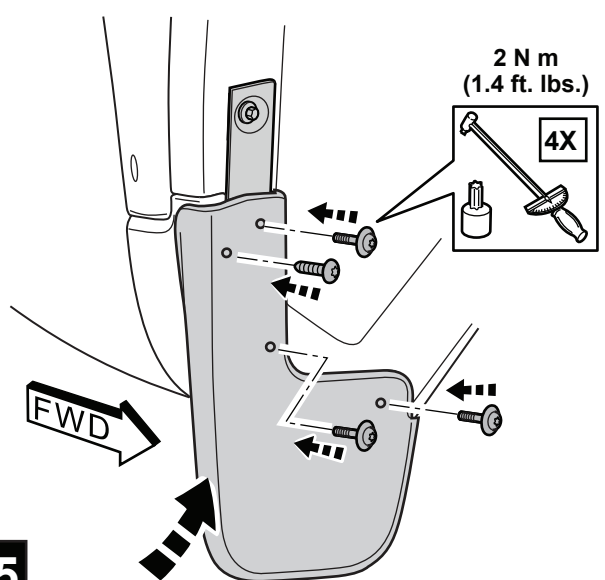
STEP 15 TORQUE

IF PRESENT



STEP 14 TORQUE

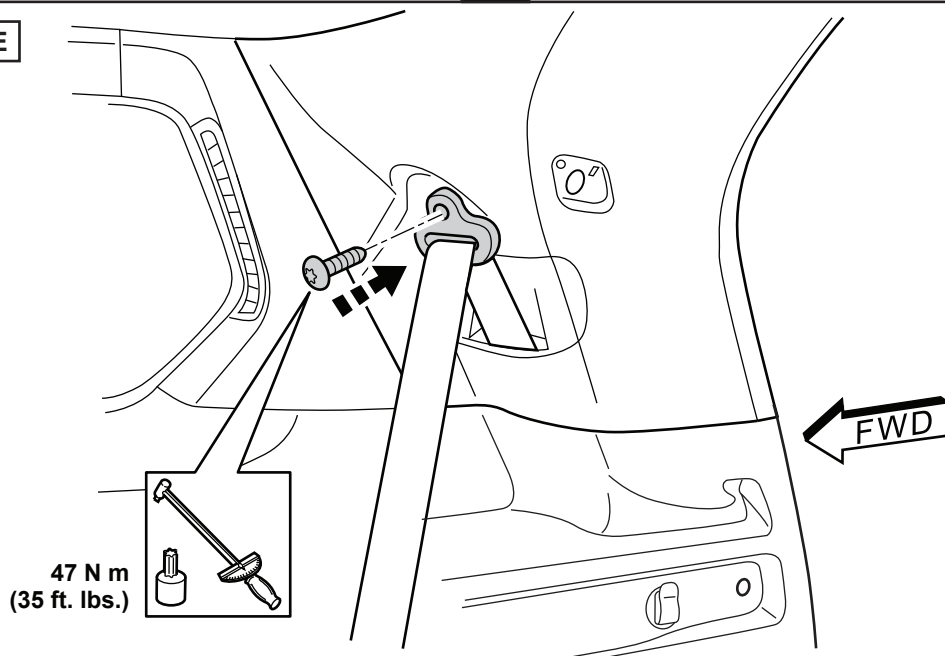
IF PRESENT



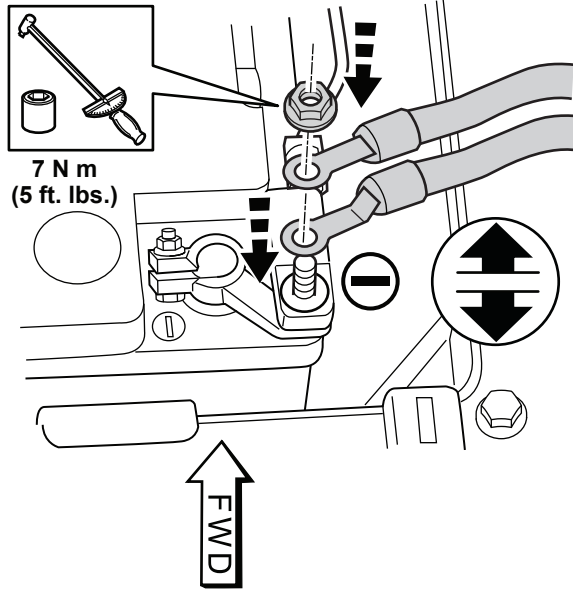
74

75

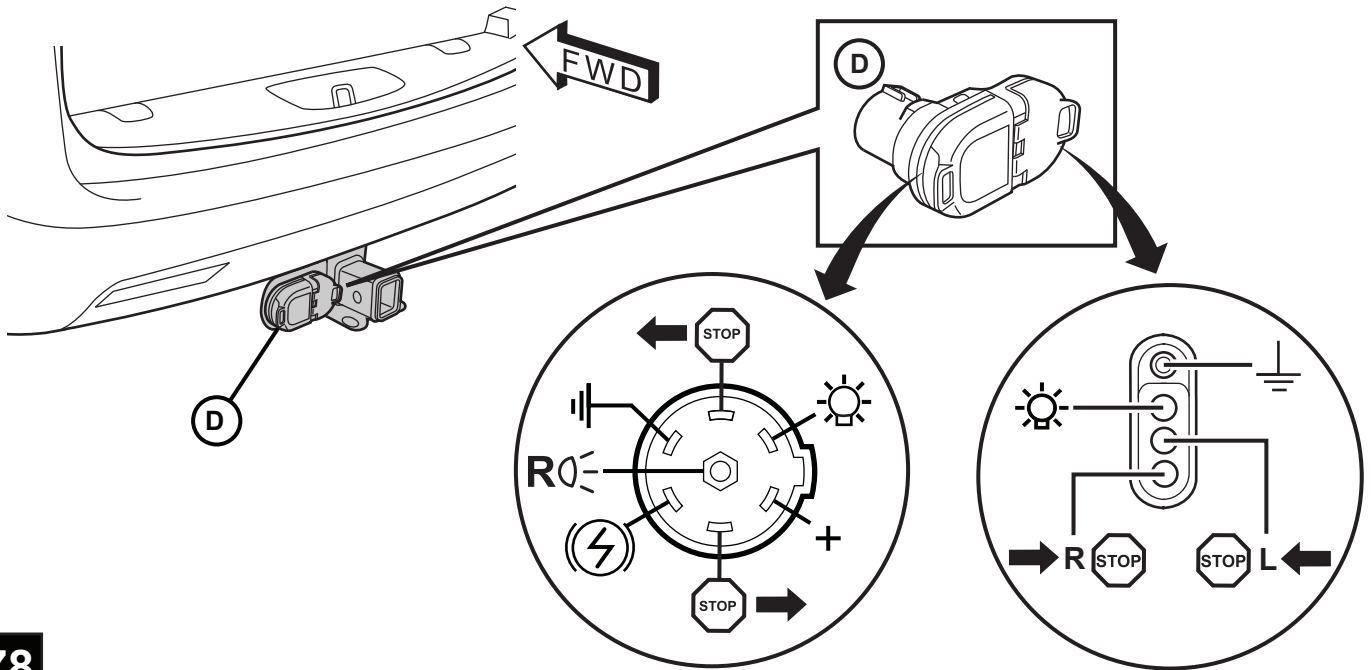
STEP 10 TORQUE



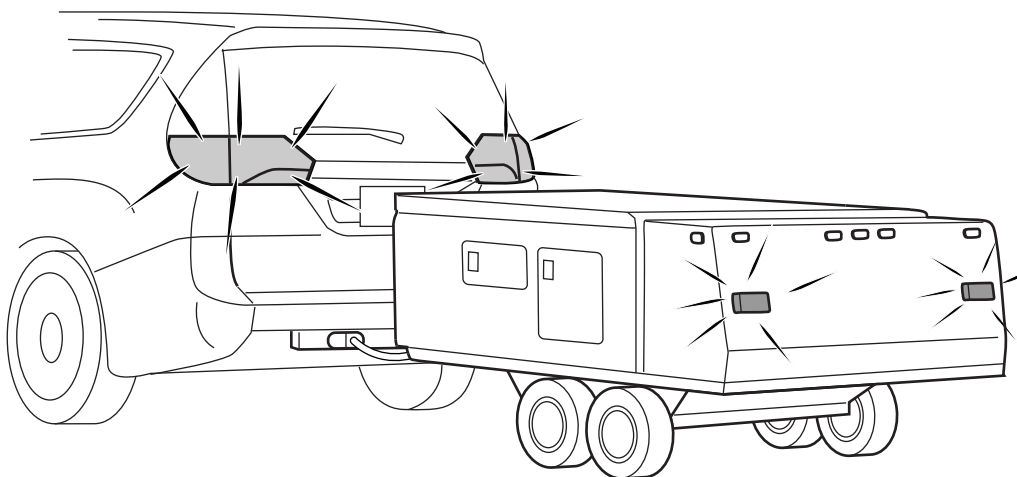
76



77



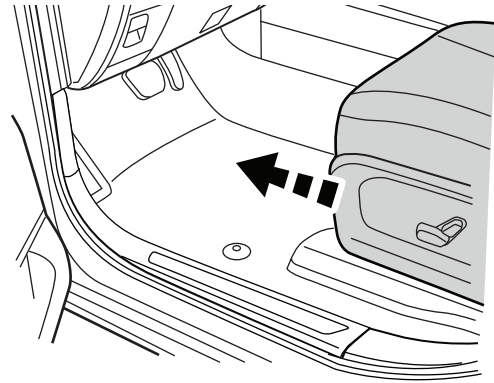
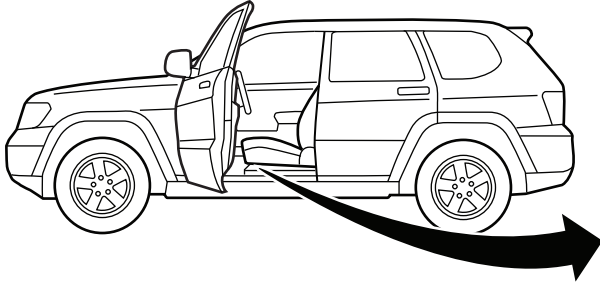
78



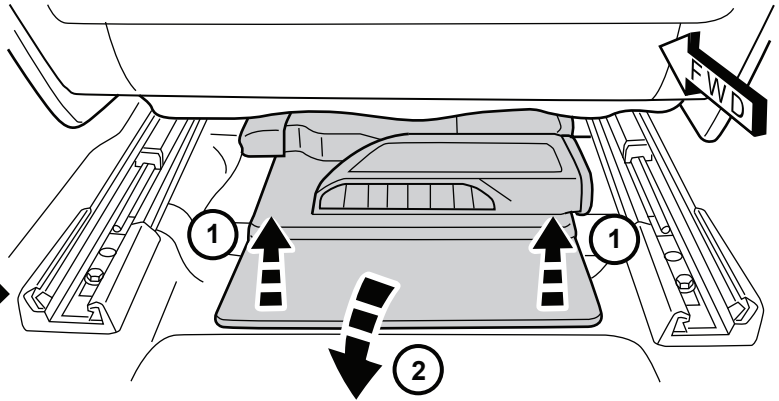
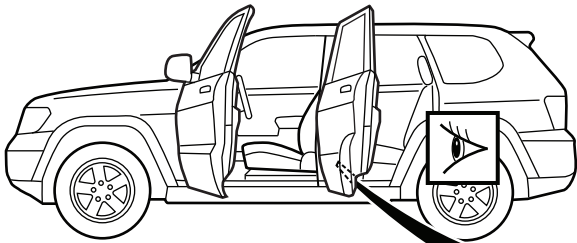
79

74" SHORT WHEEL BASE

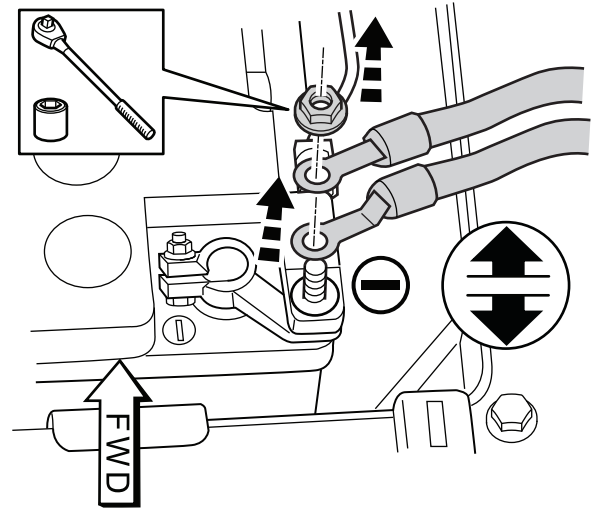
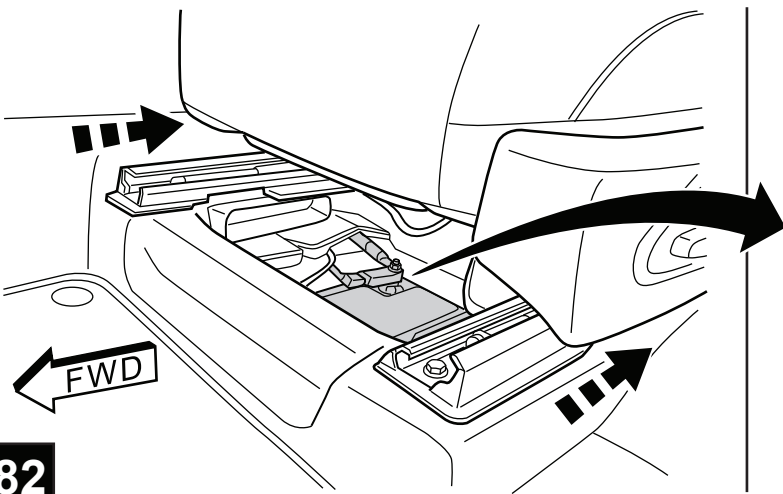
80



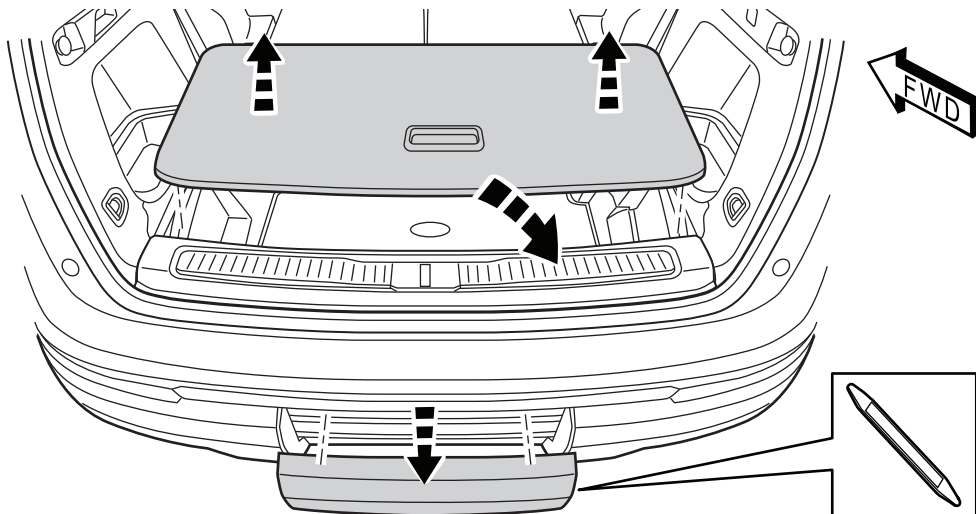
81

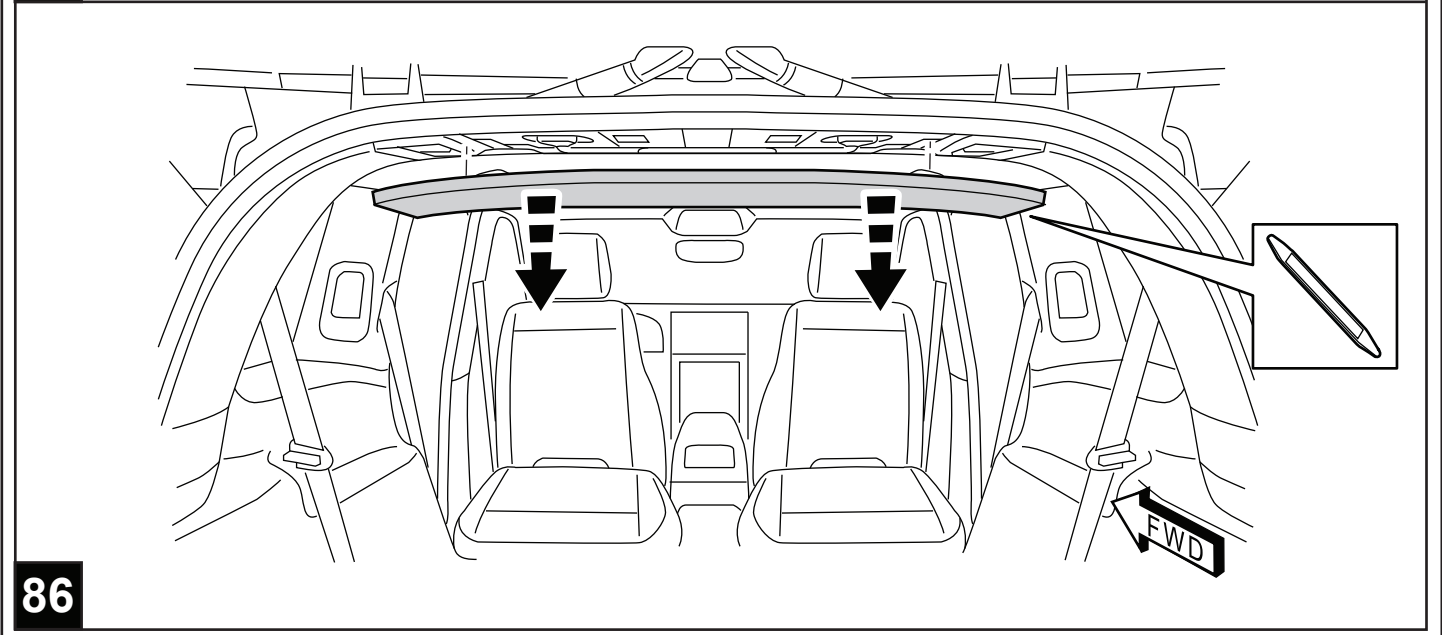
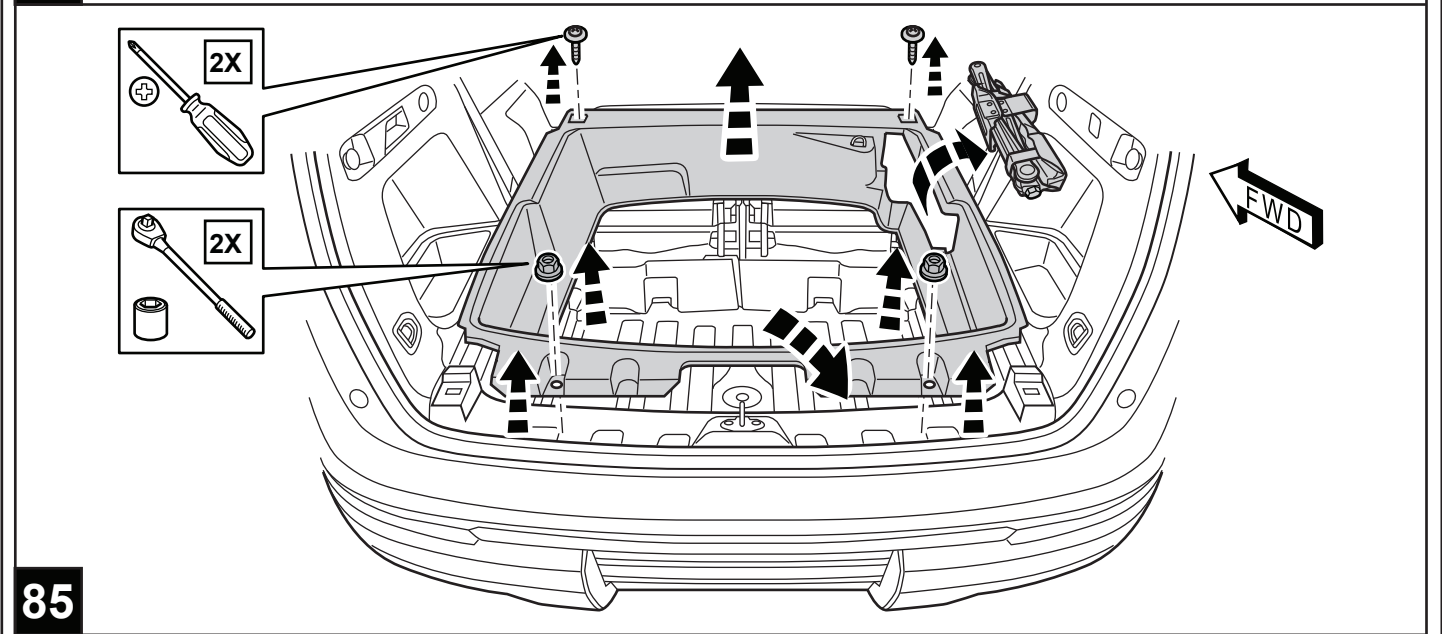
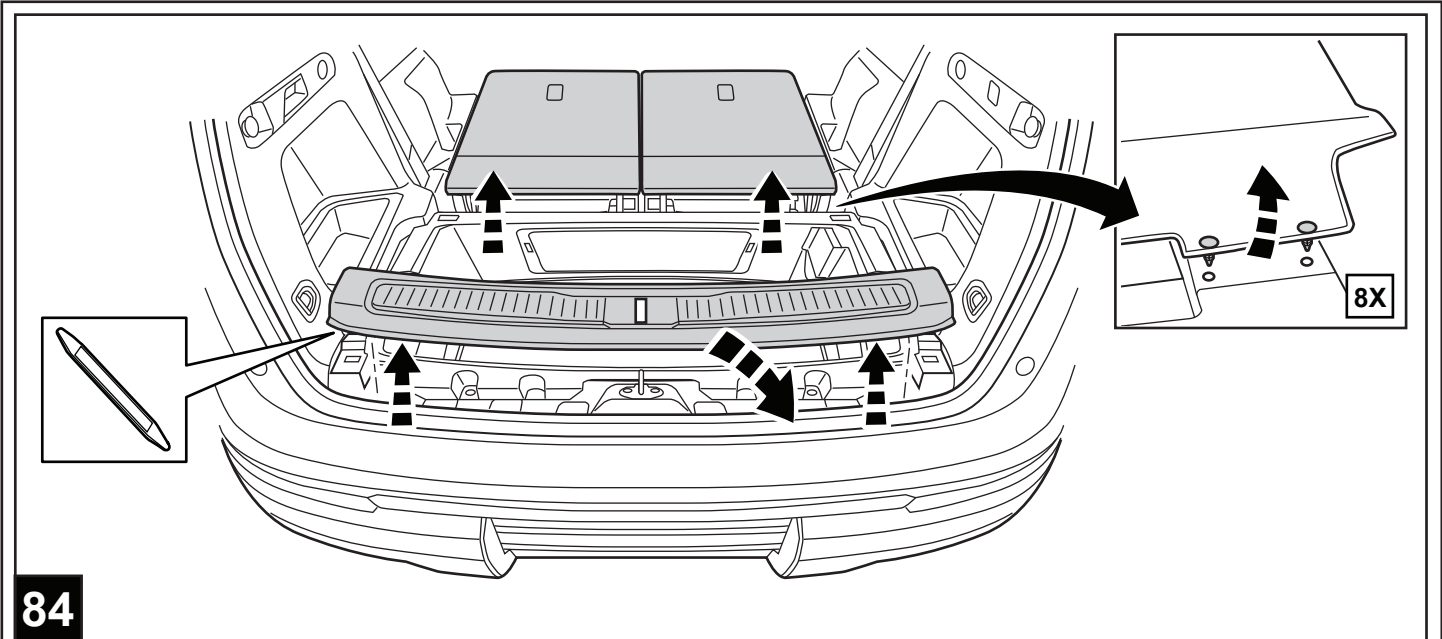


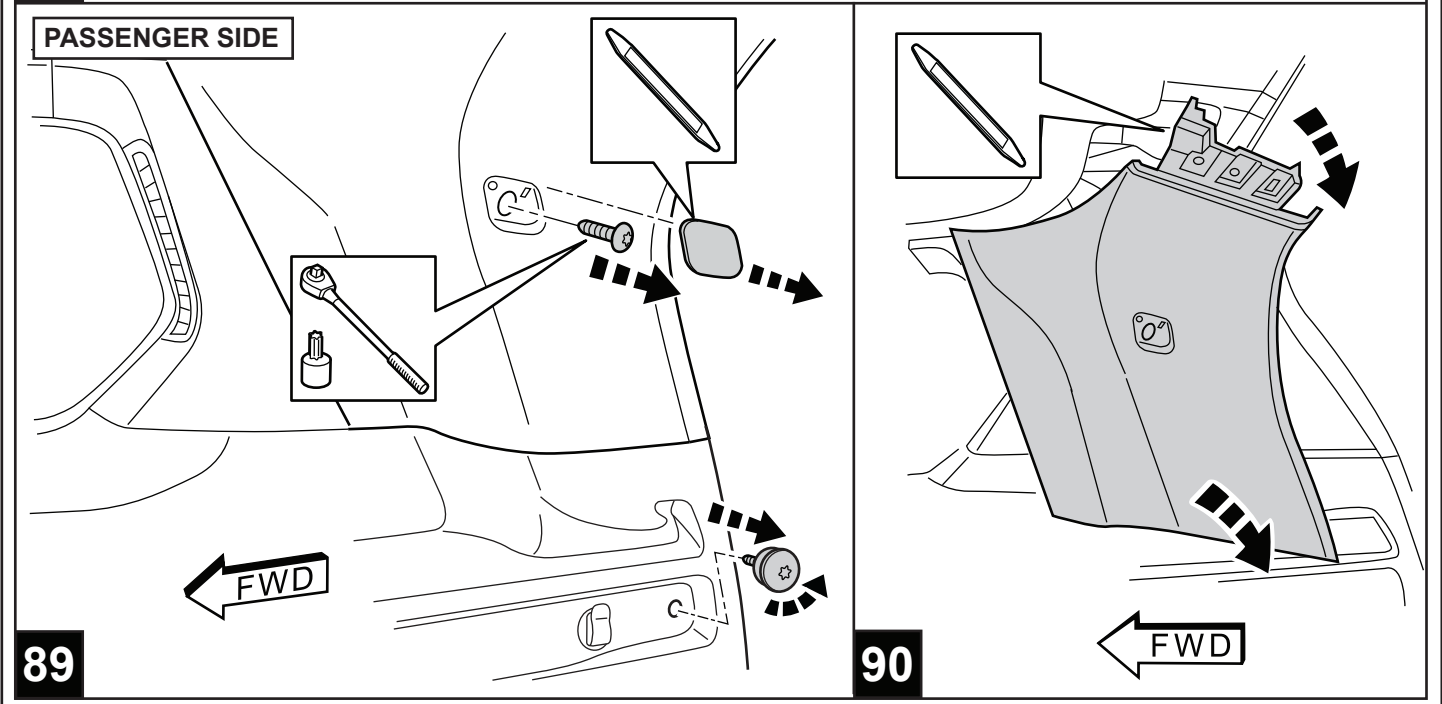
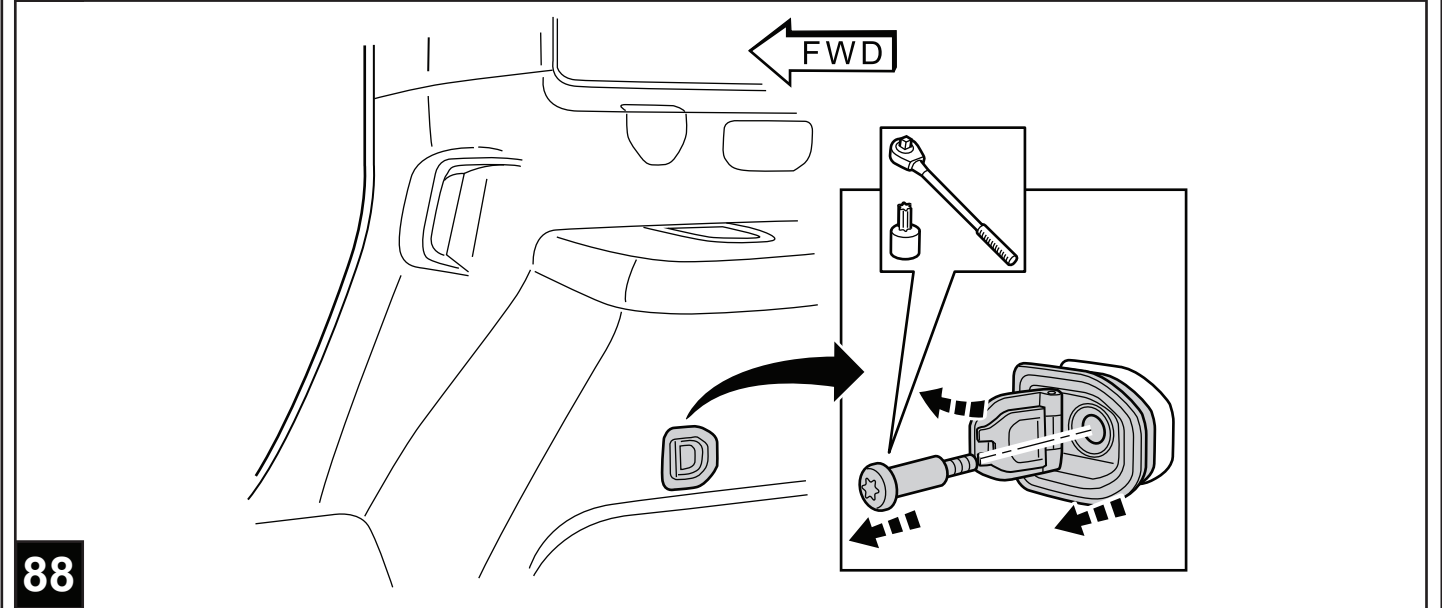
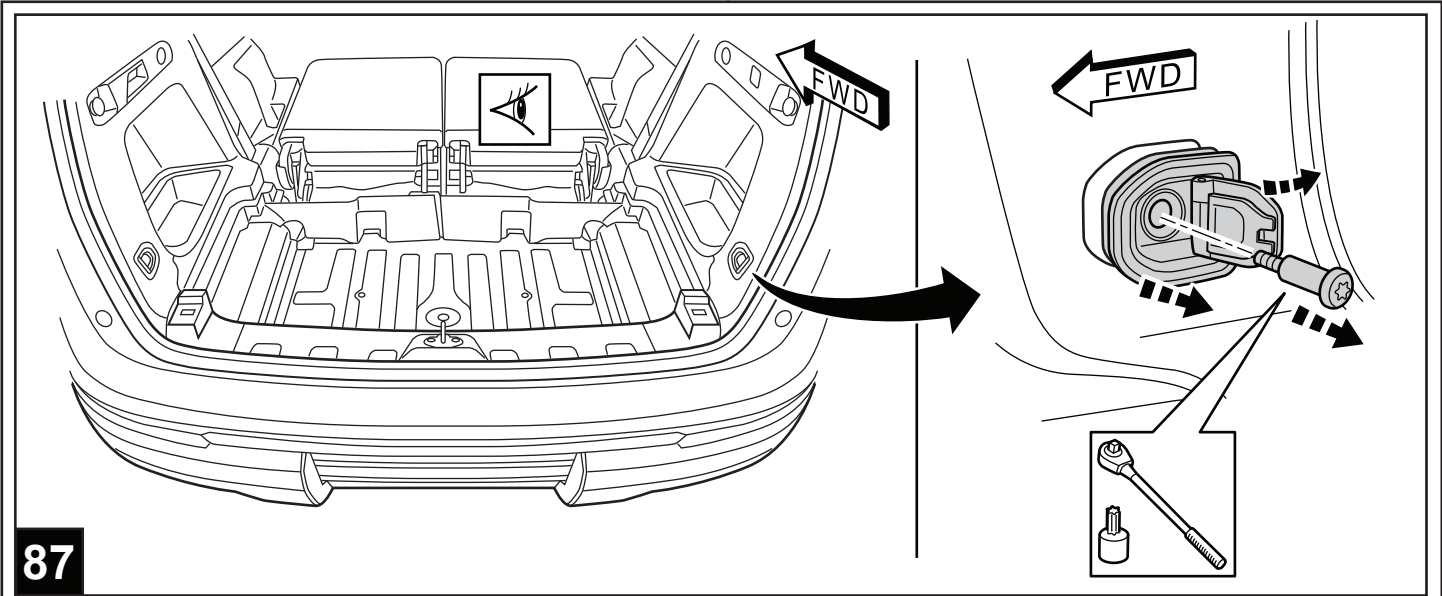
82

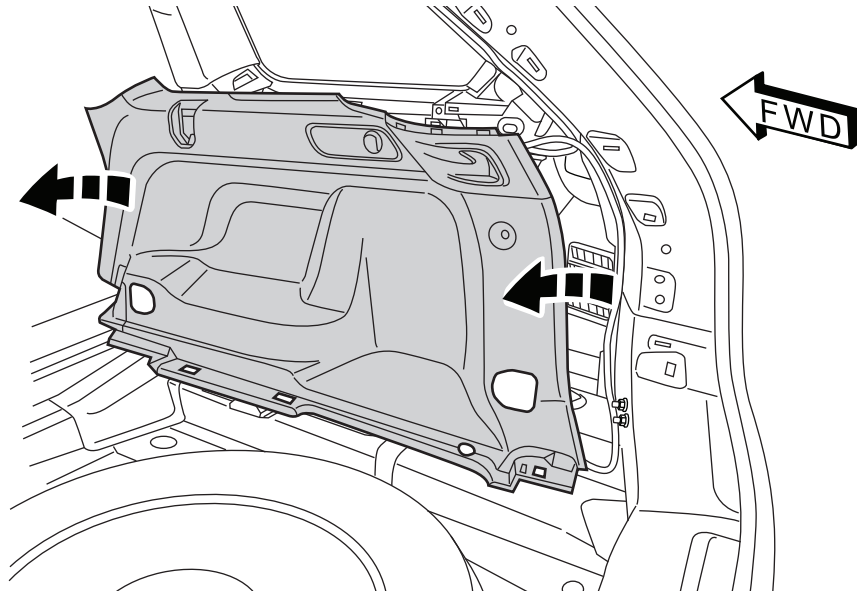


83



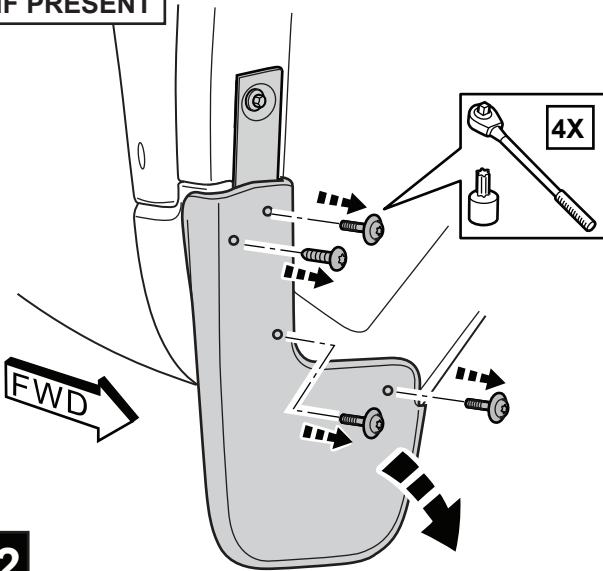






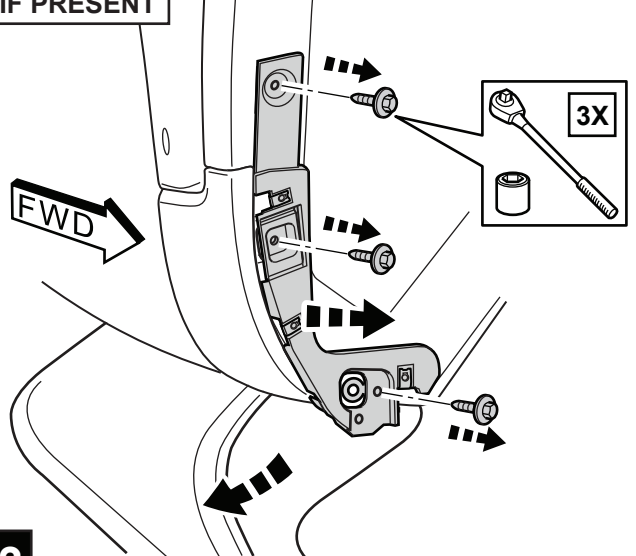
91

IF PRESENT

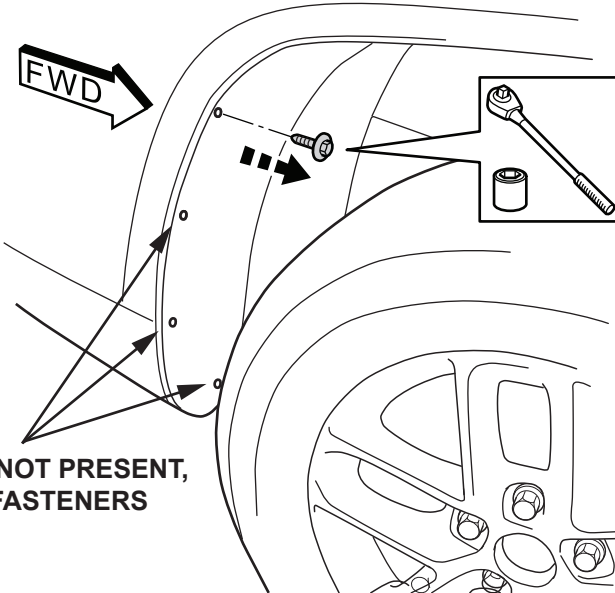


92

IF PRESENT

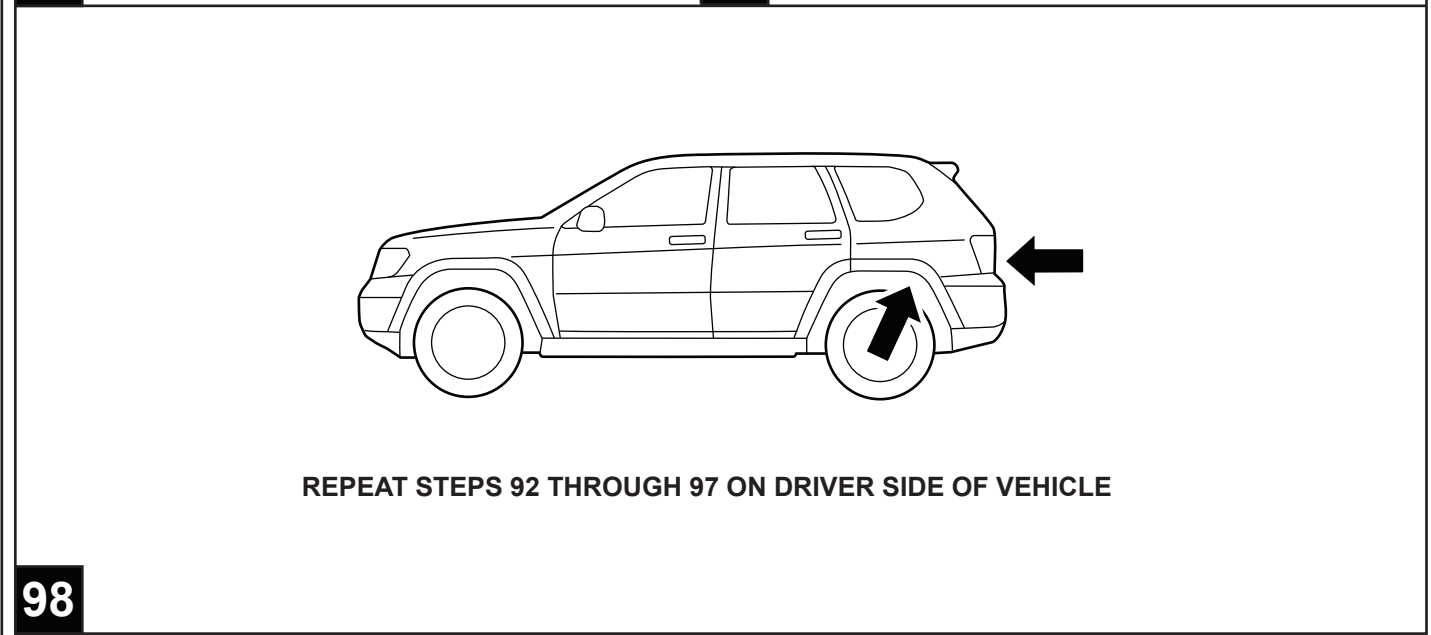
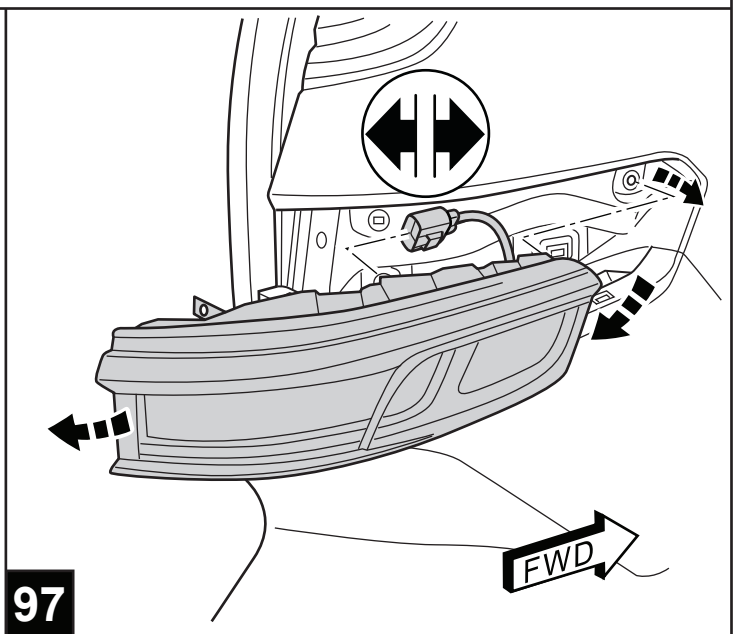
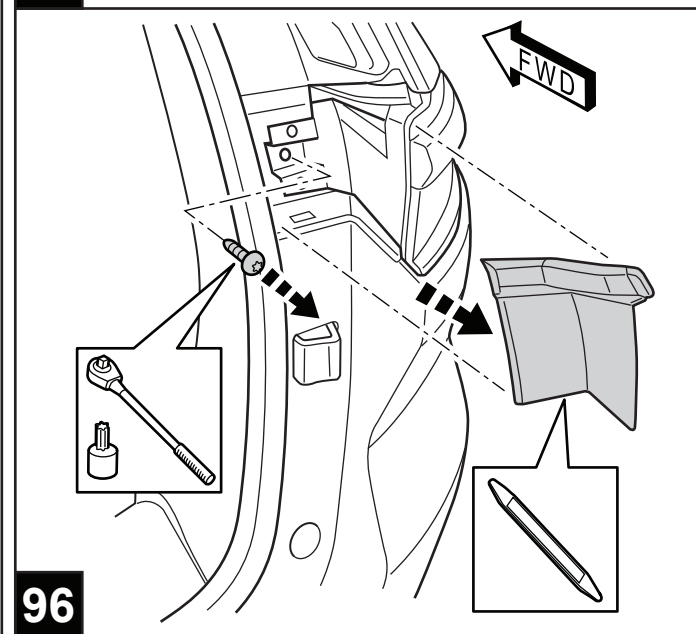
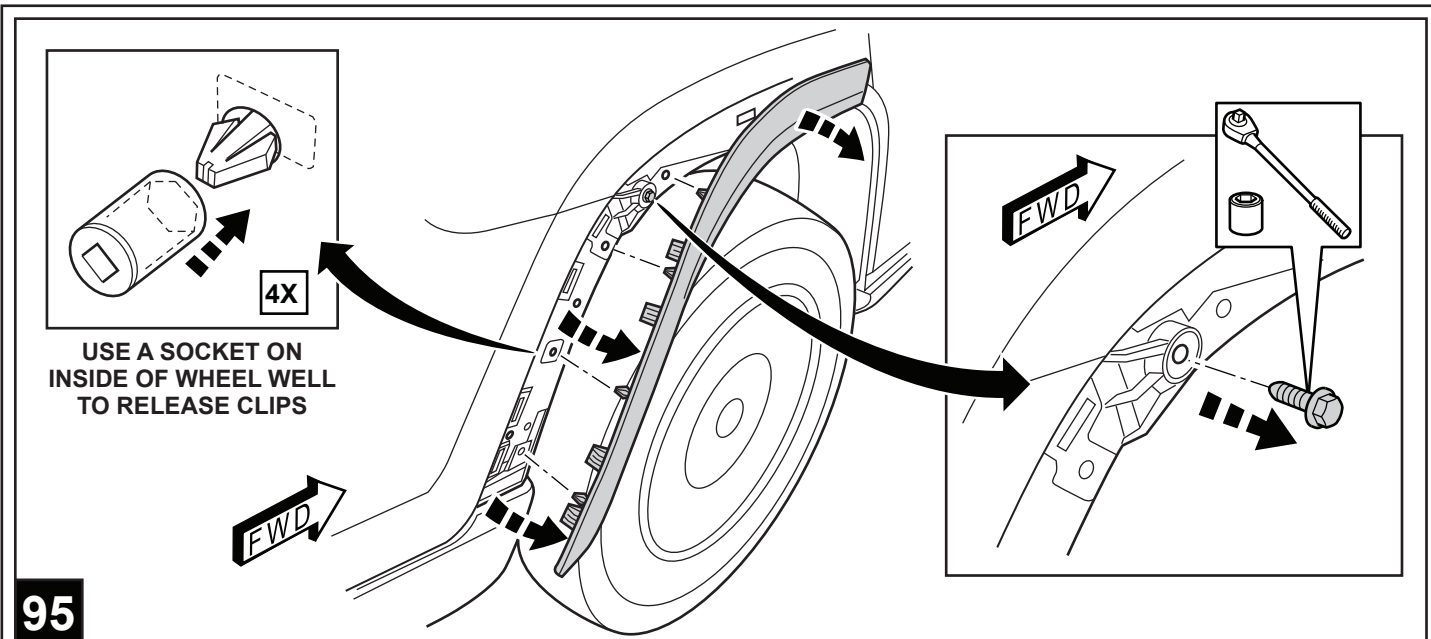


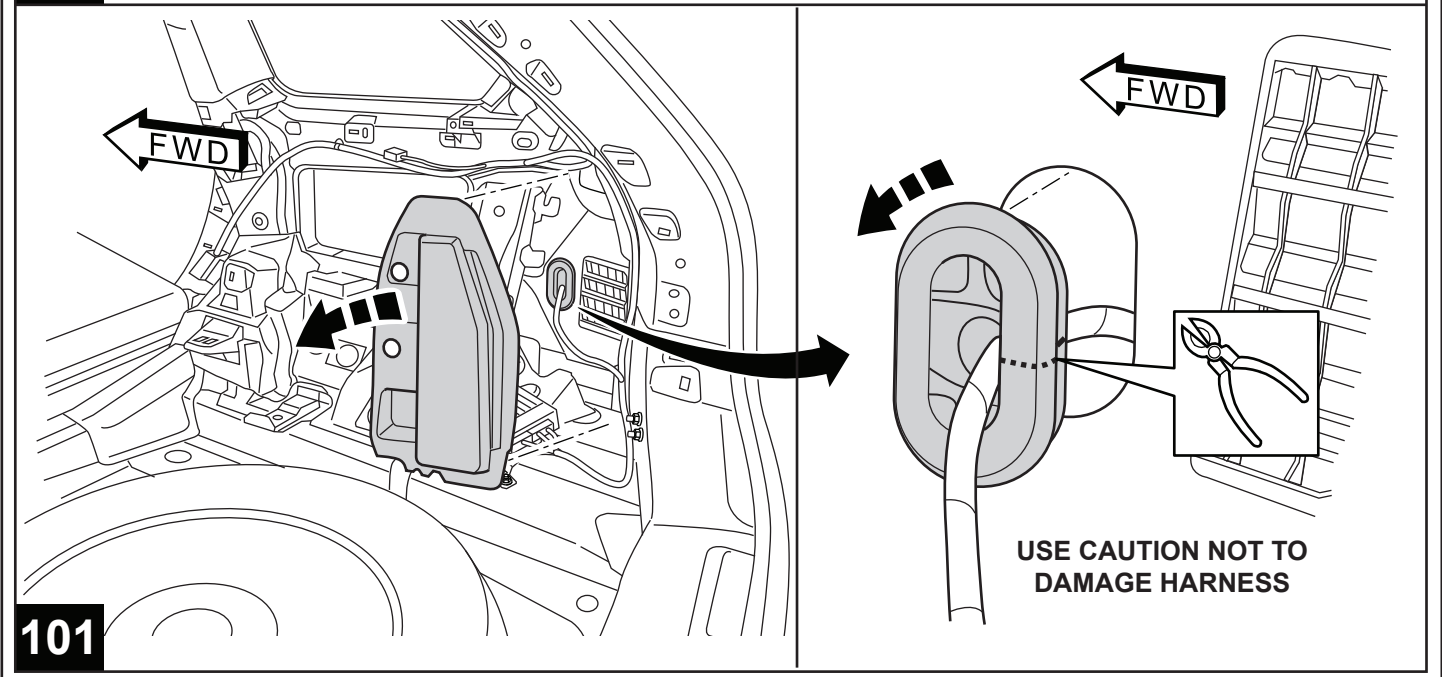
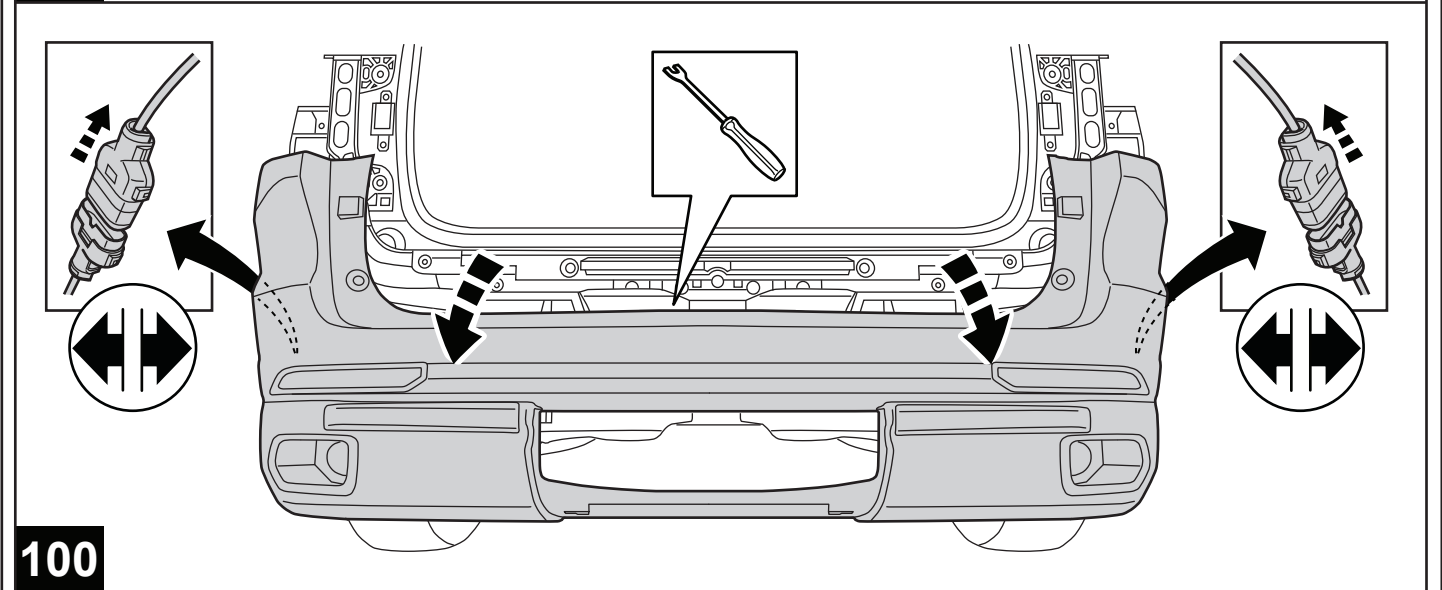
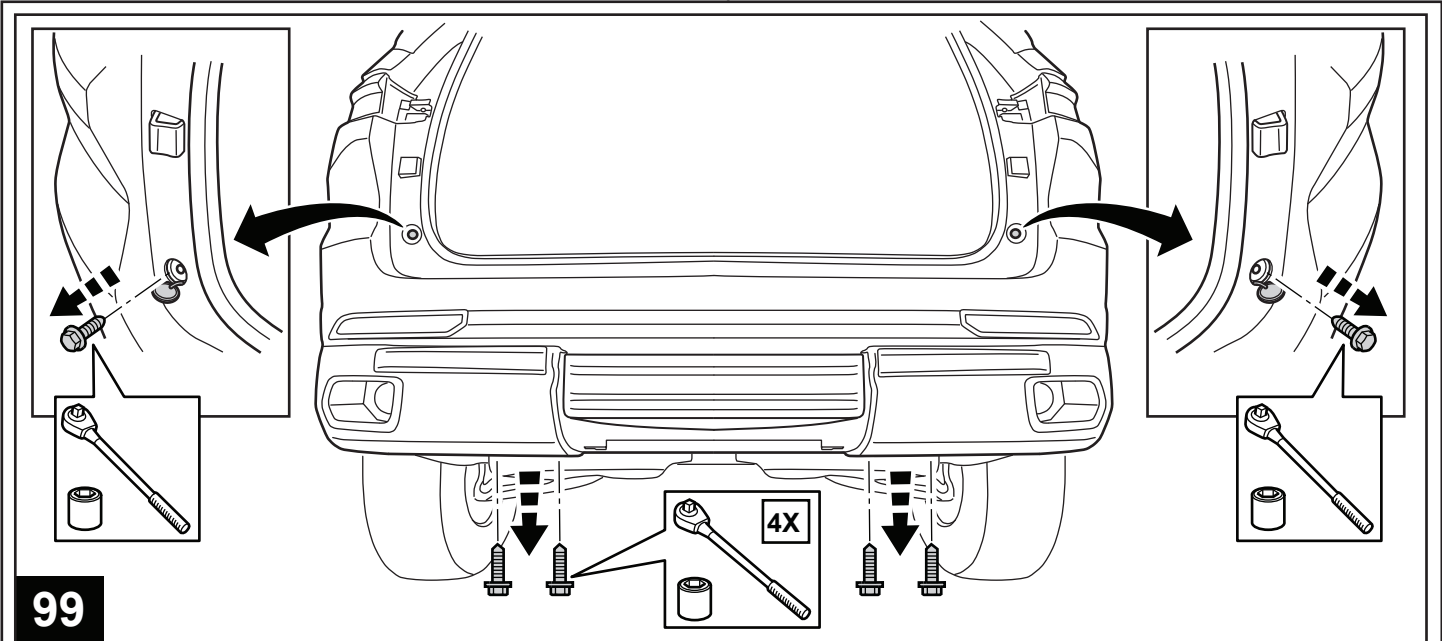
93

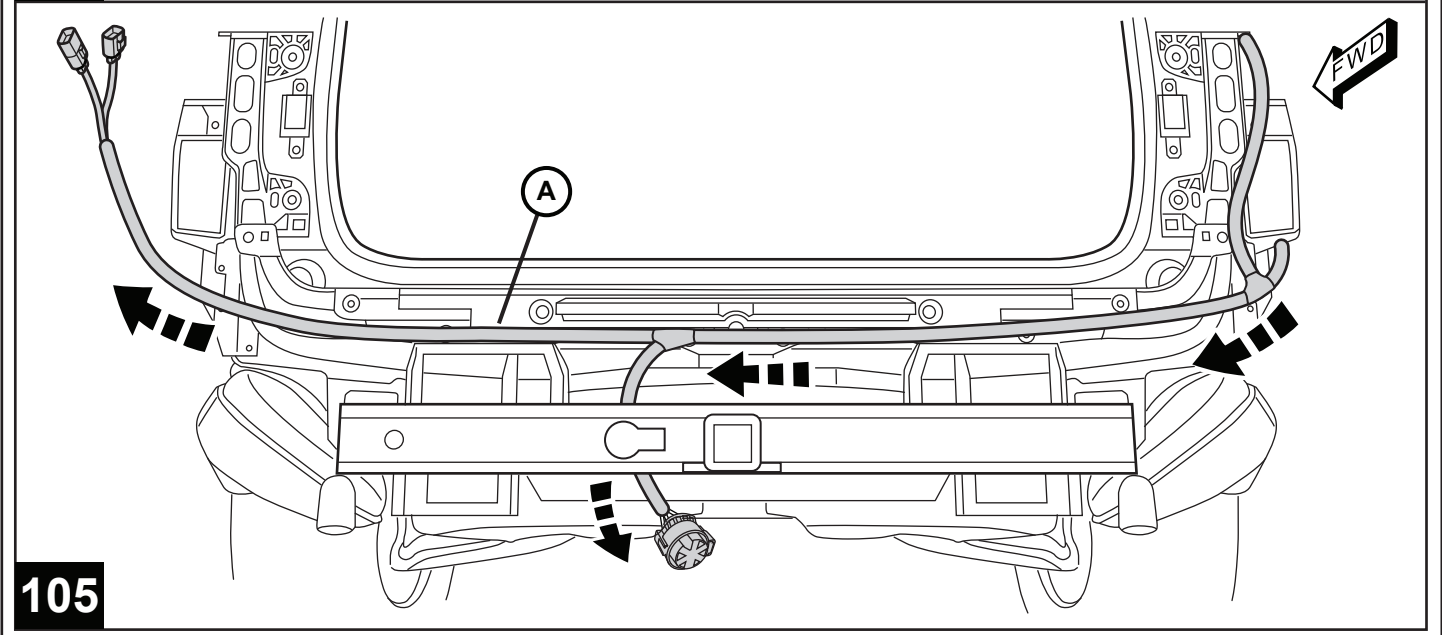
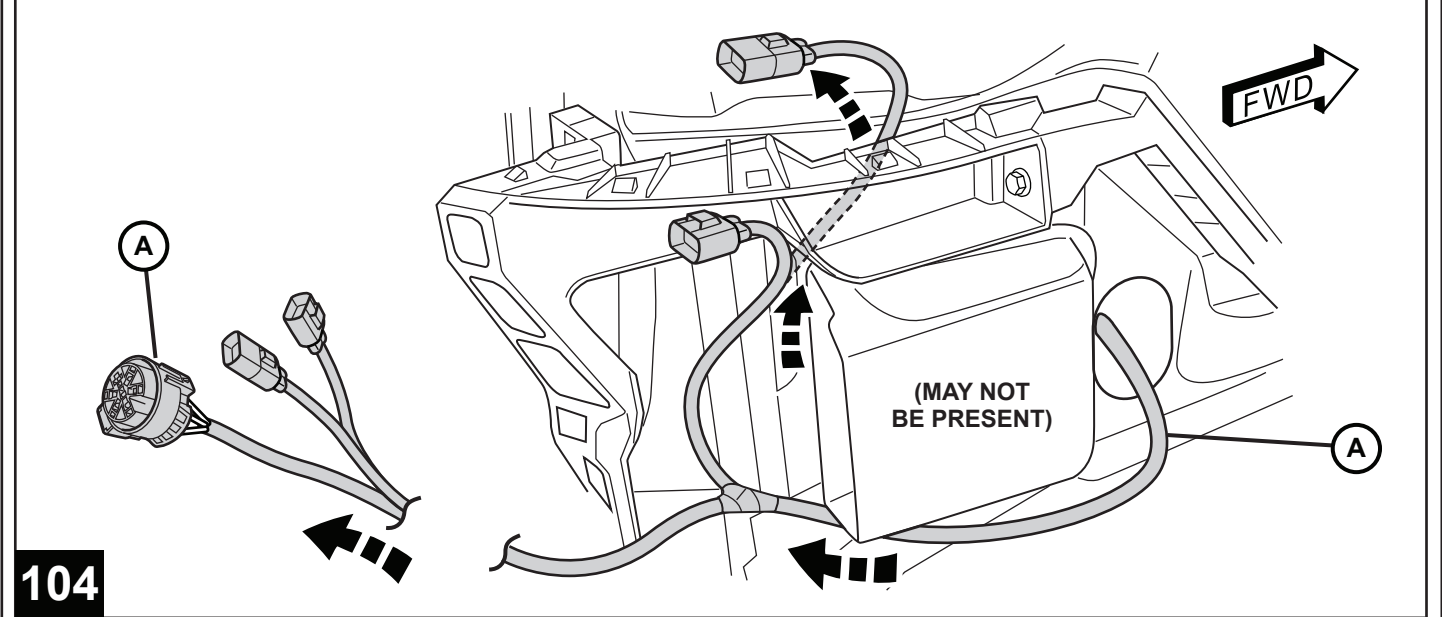
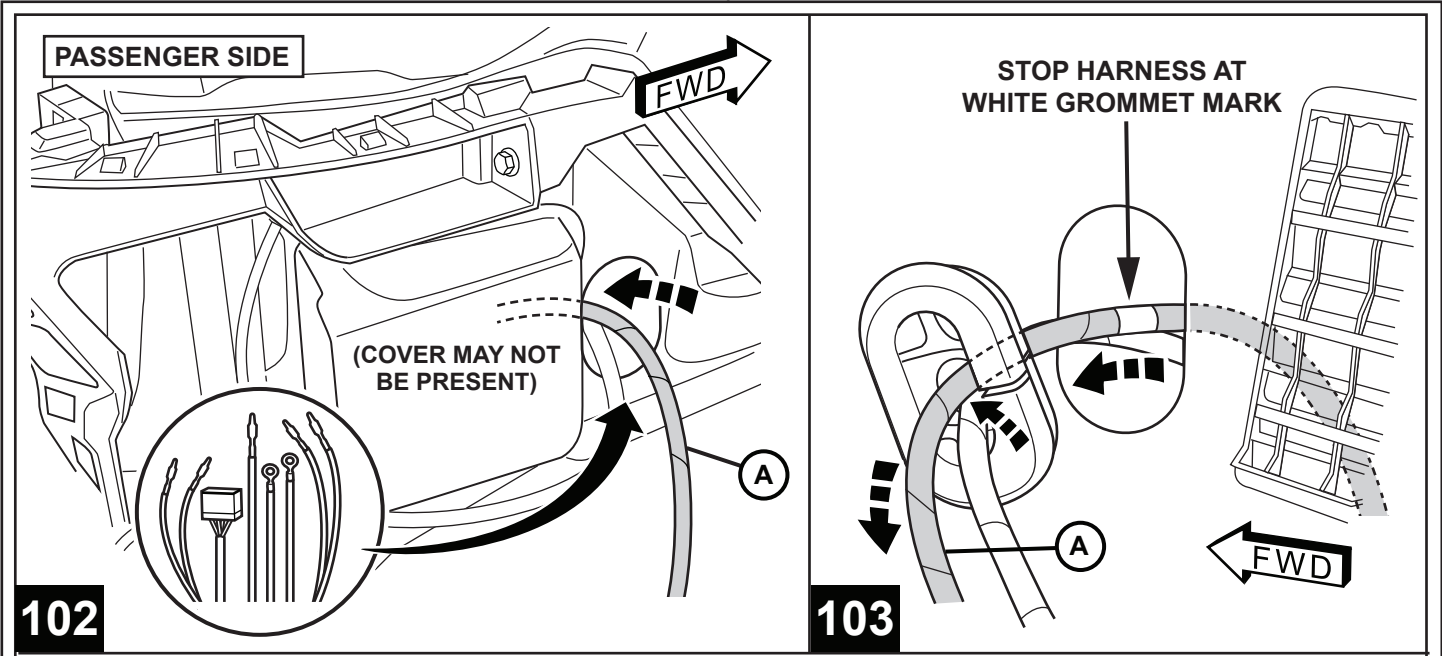


NOTE: IF SPLASH GUARD IS NOT PRESENT,  
REMOVE THREE LOWER FASTENERS

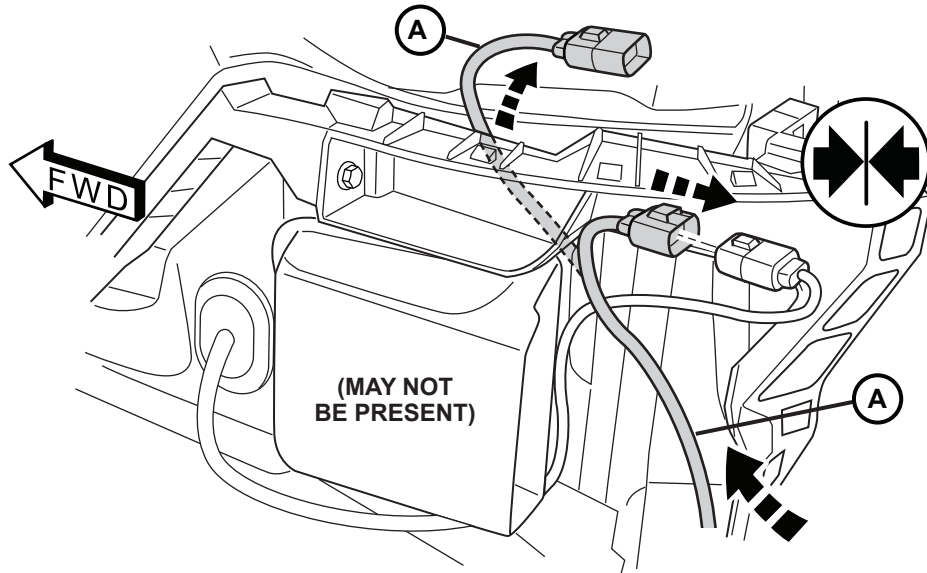
94



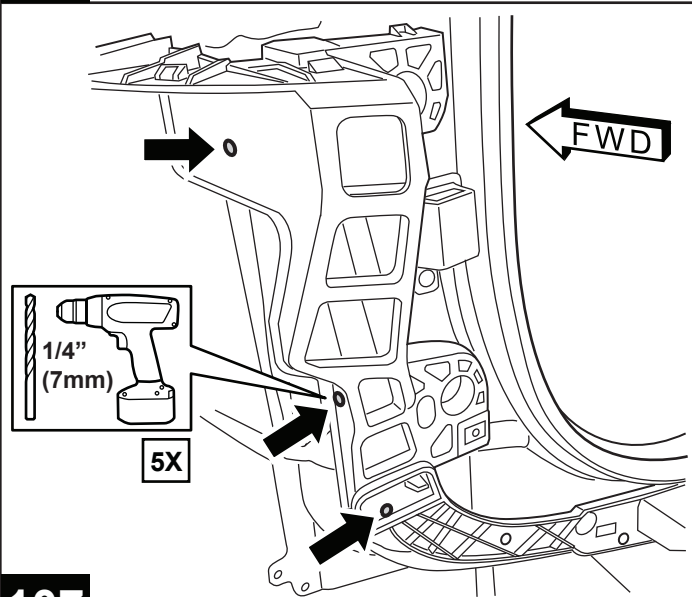




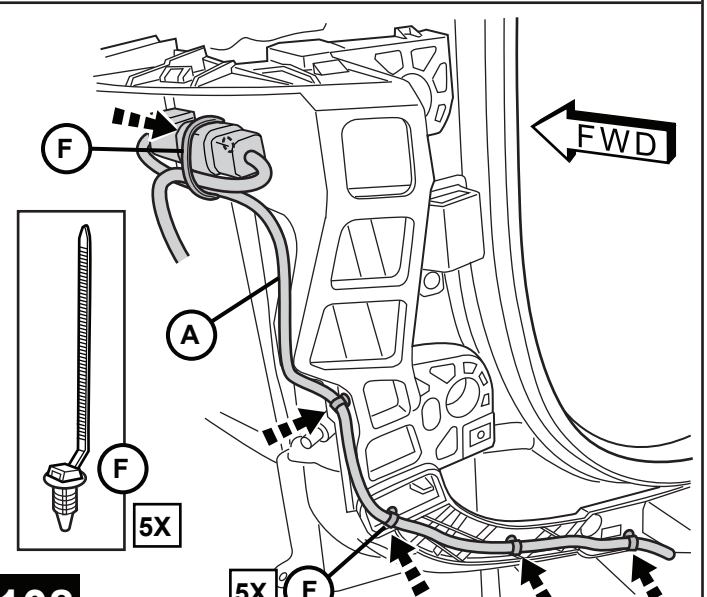
DRIVER SIDE



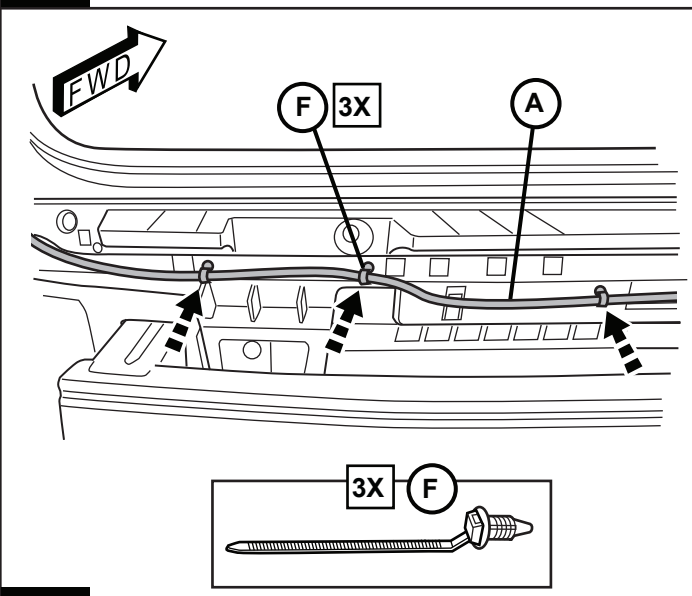
106



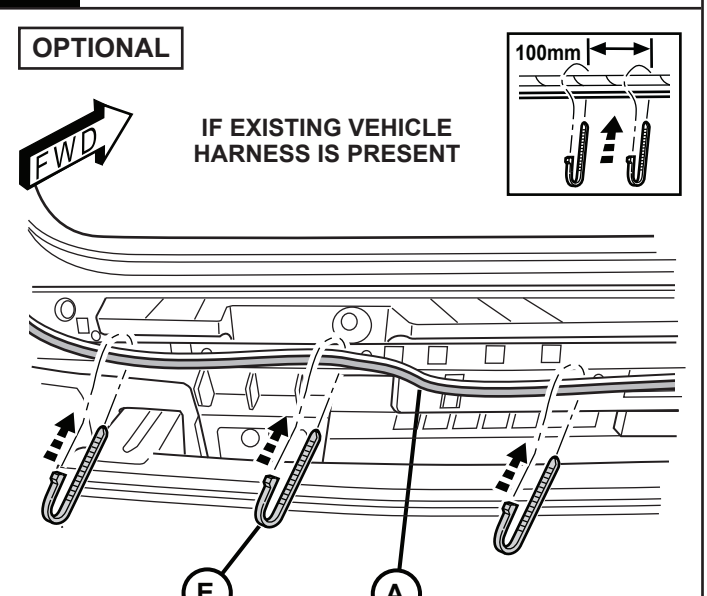
107

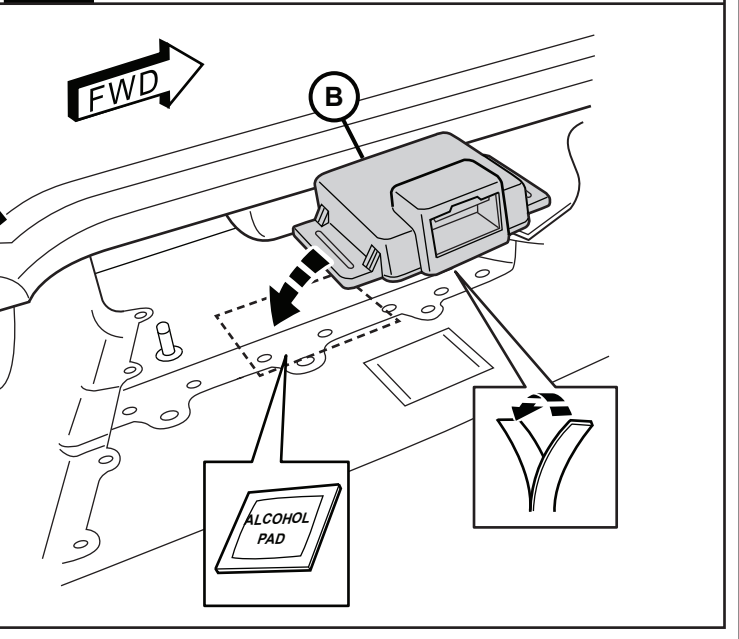
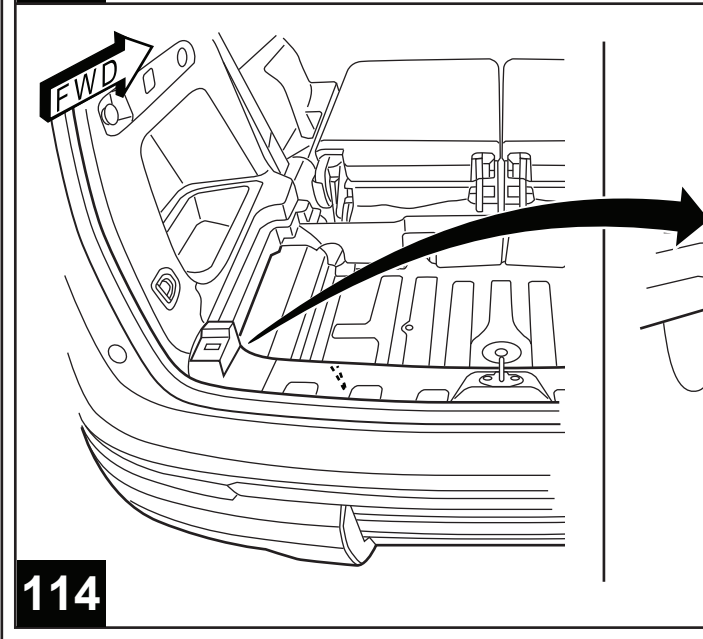
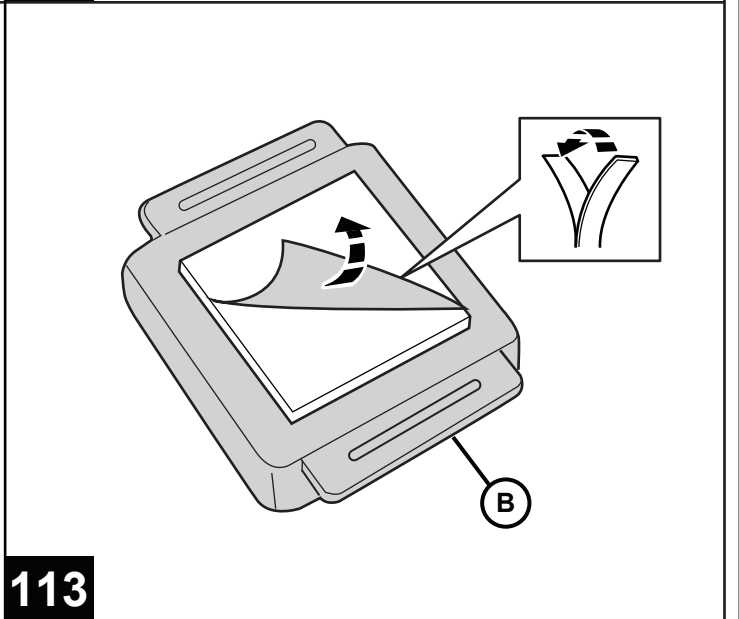
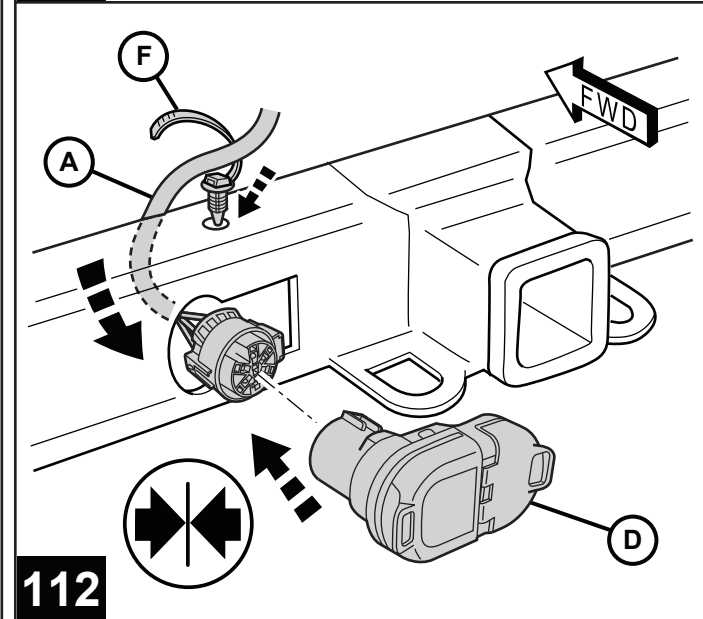
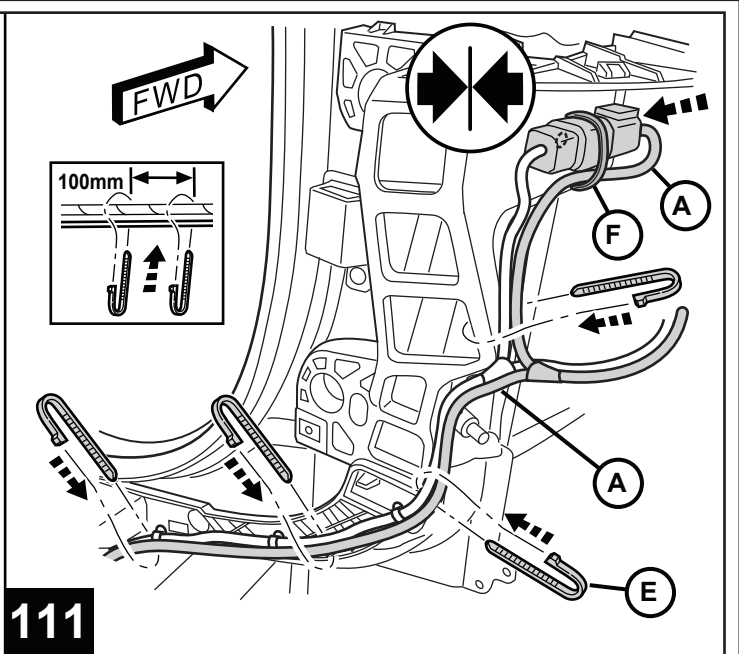
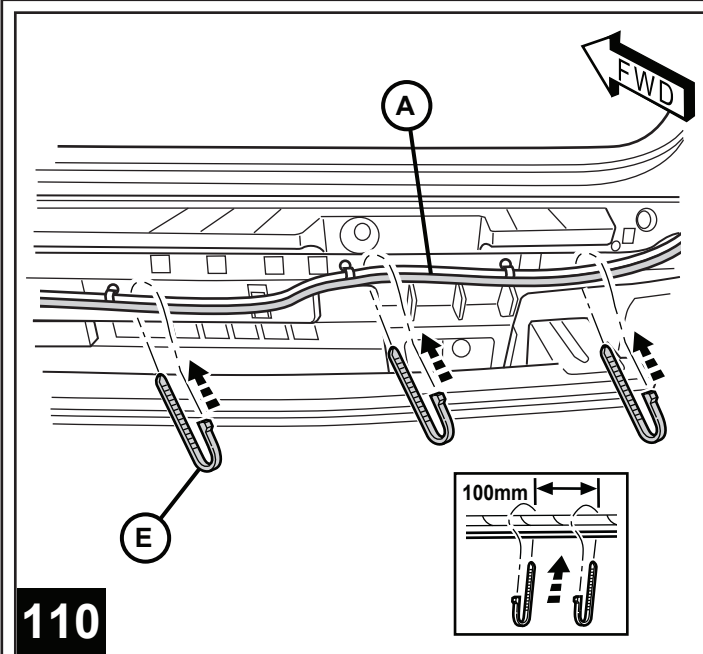


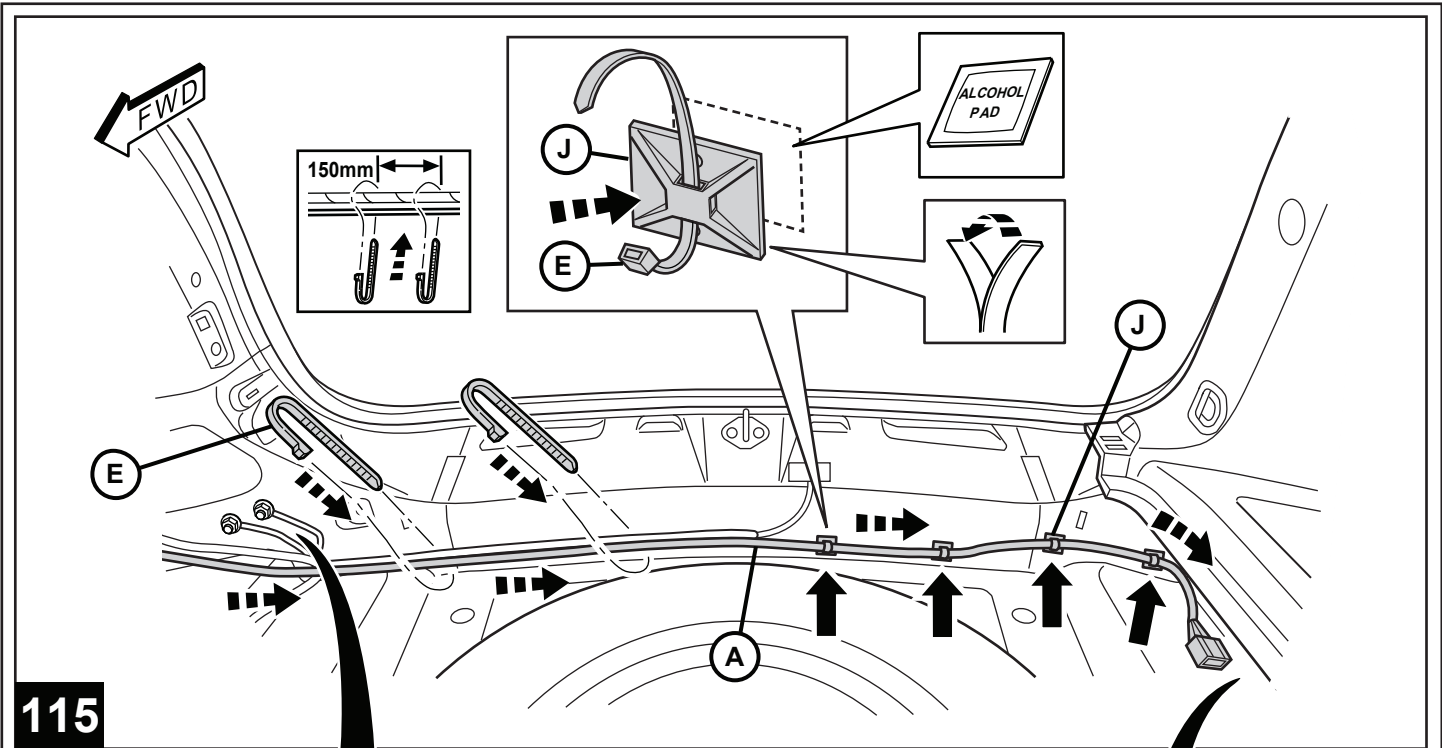
108



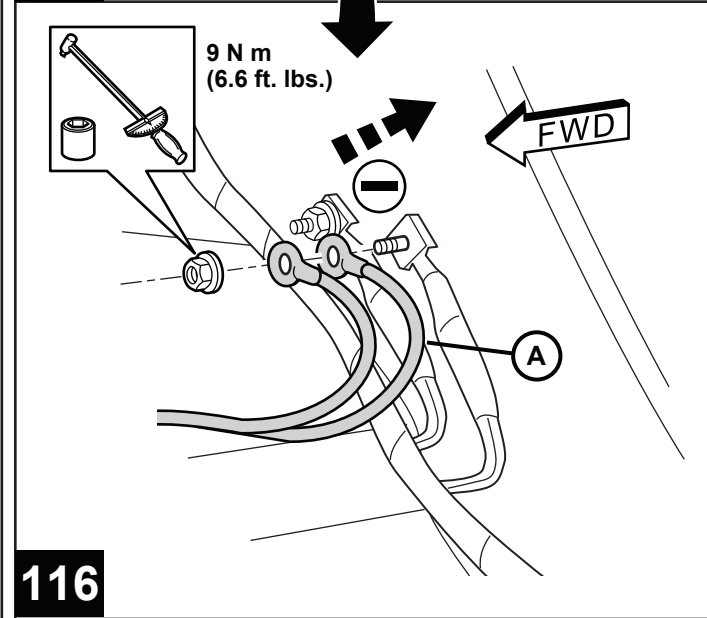
109



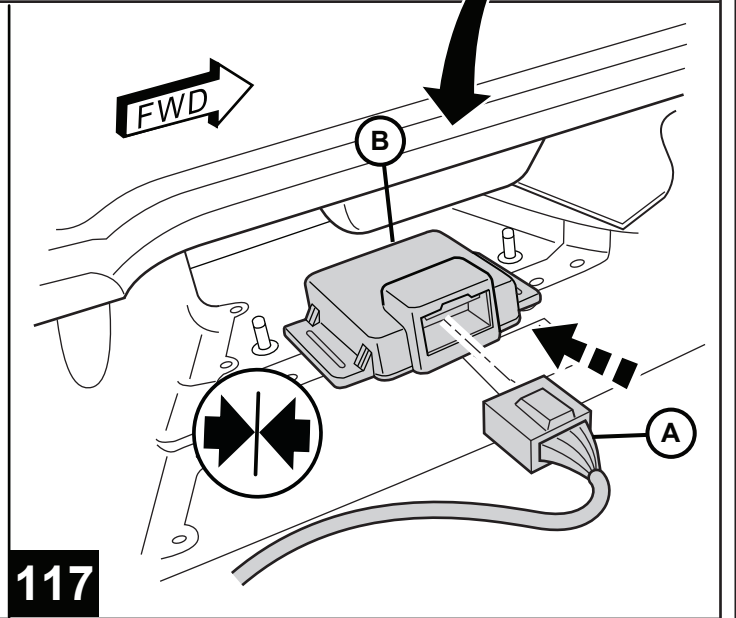




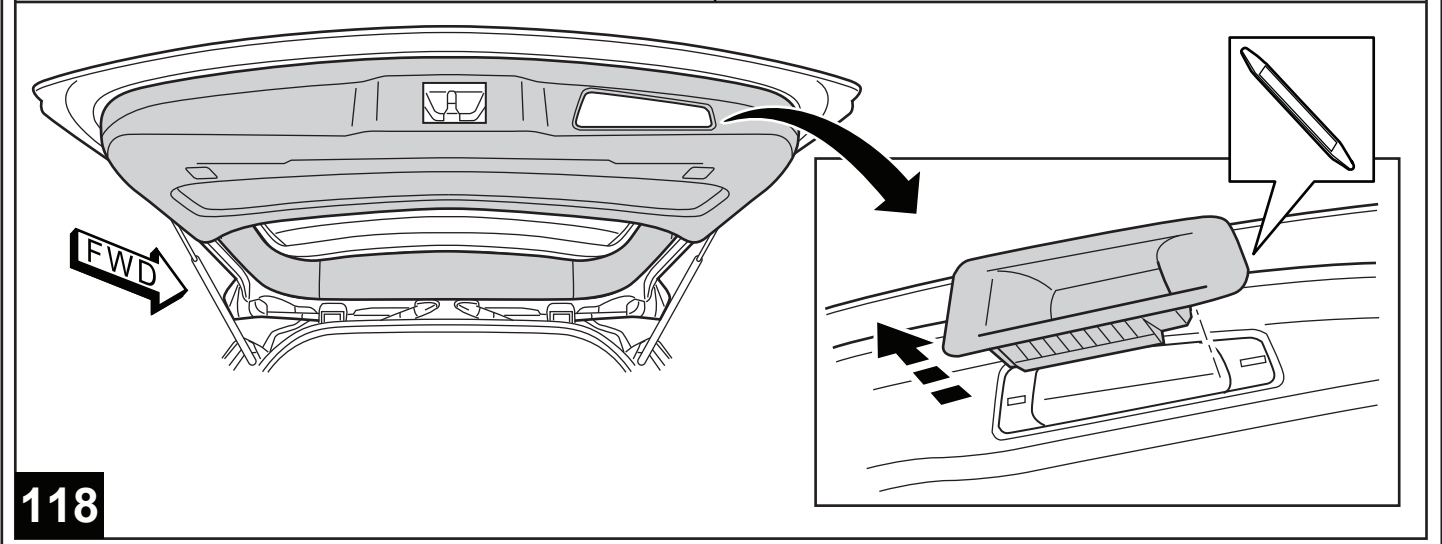
115



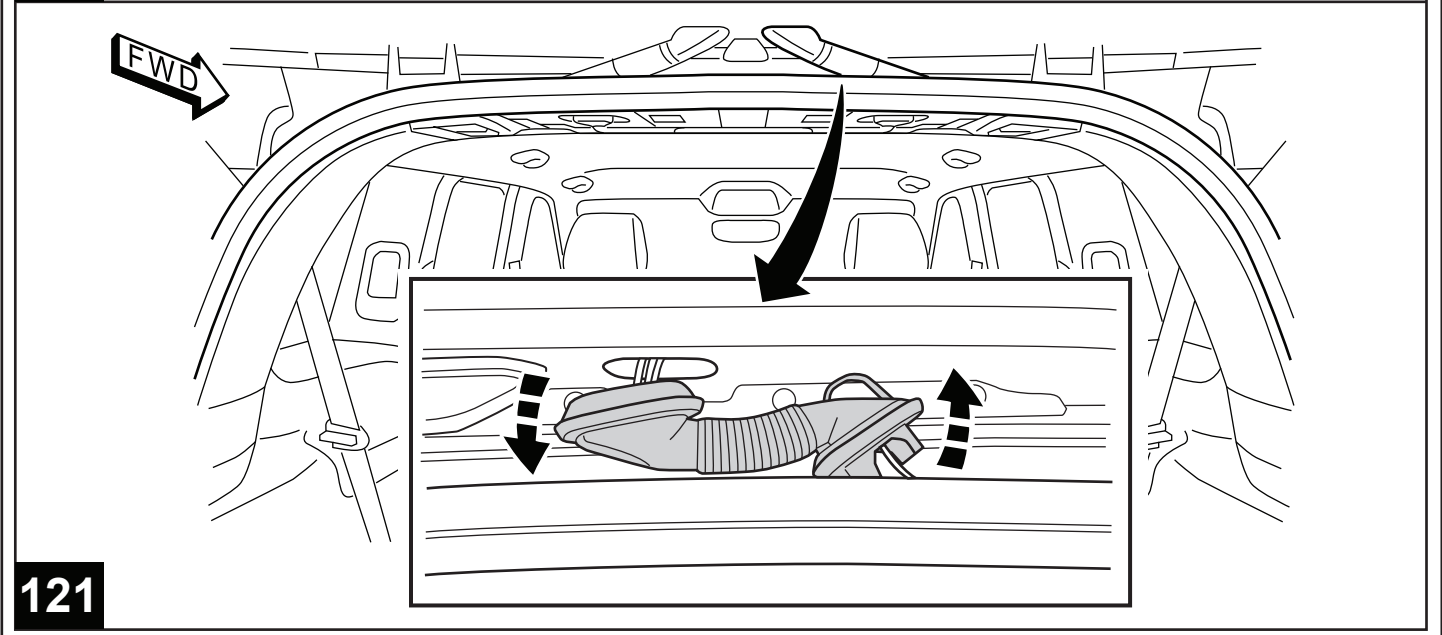
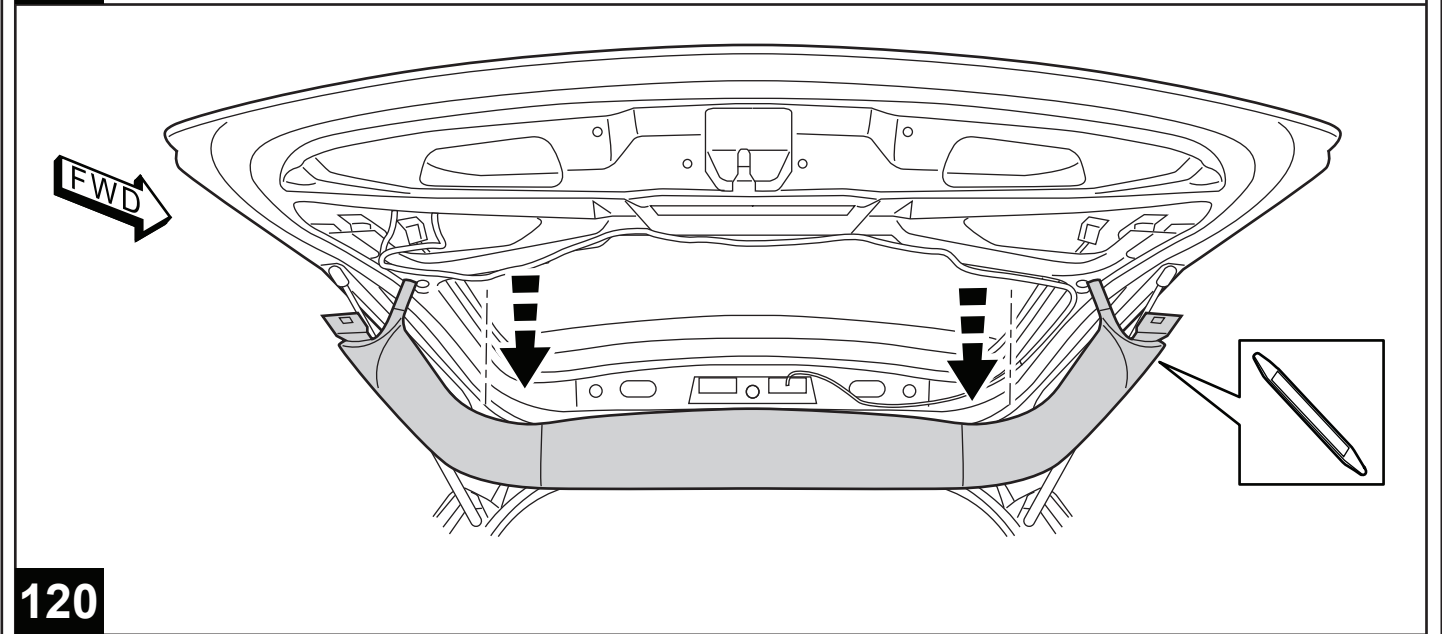
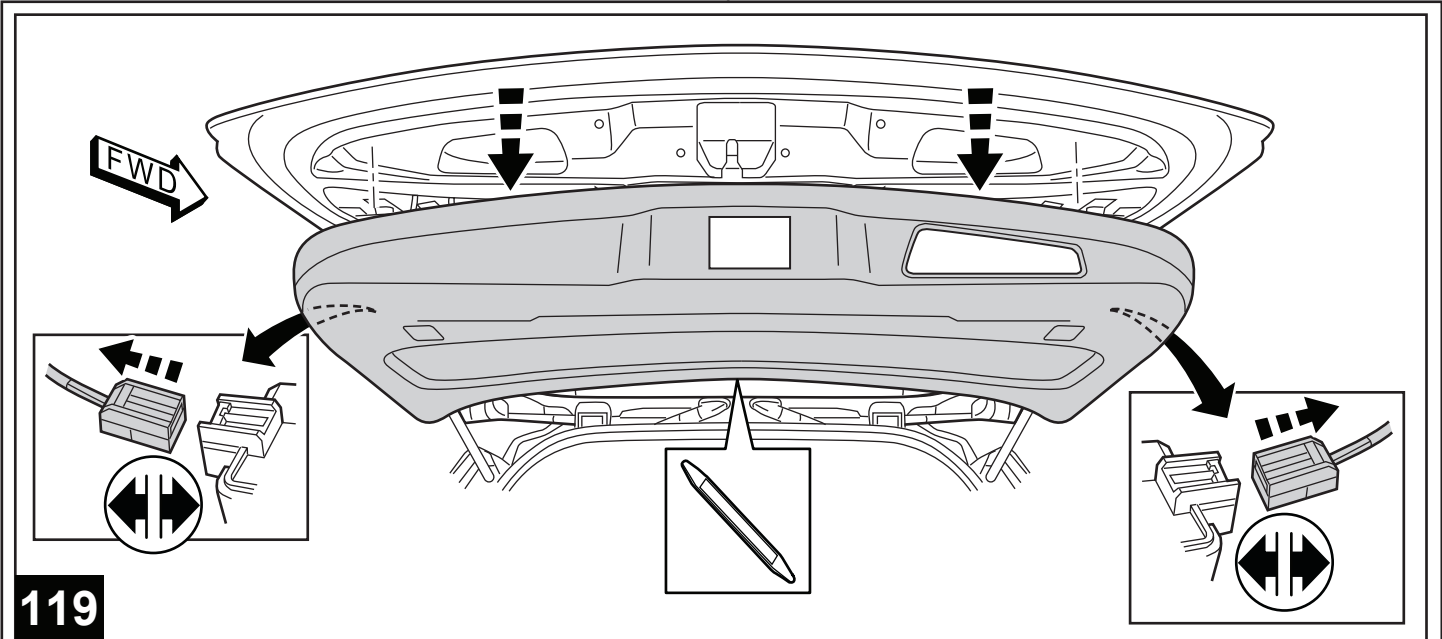
116

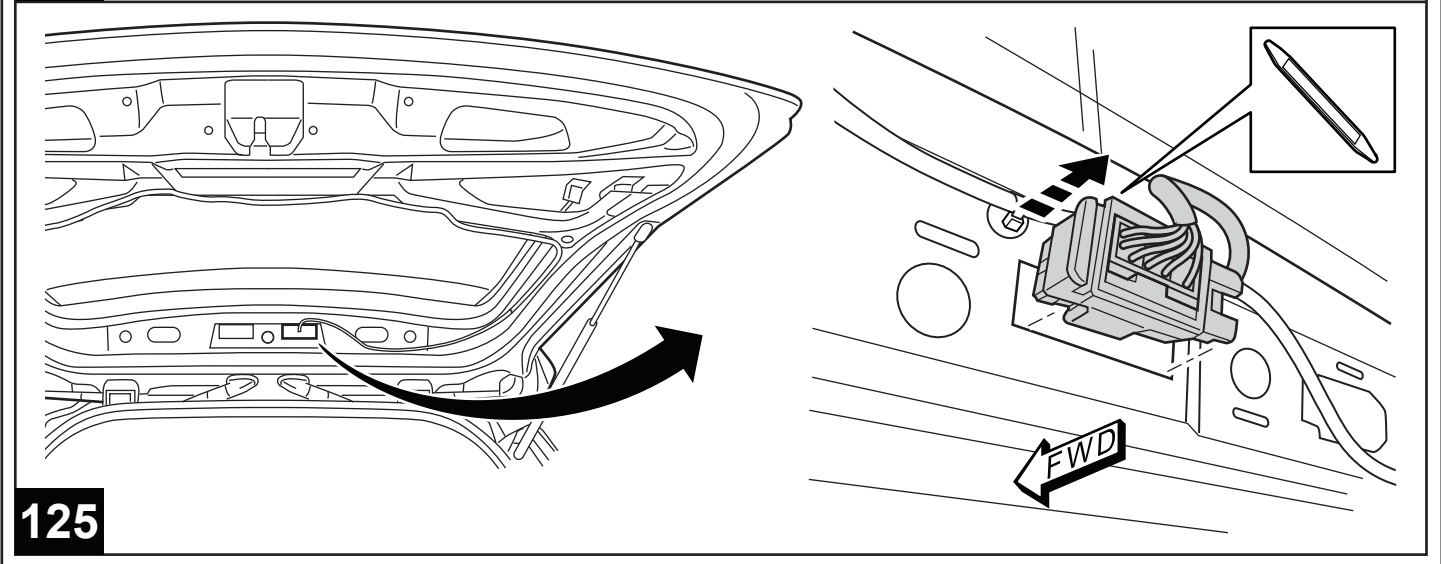
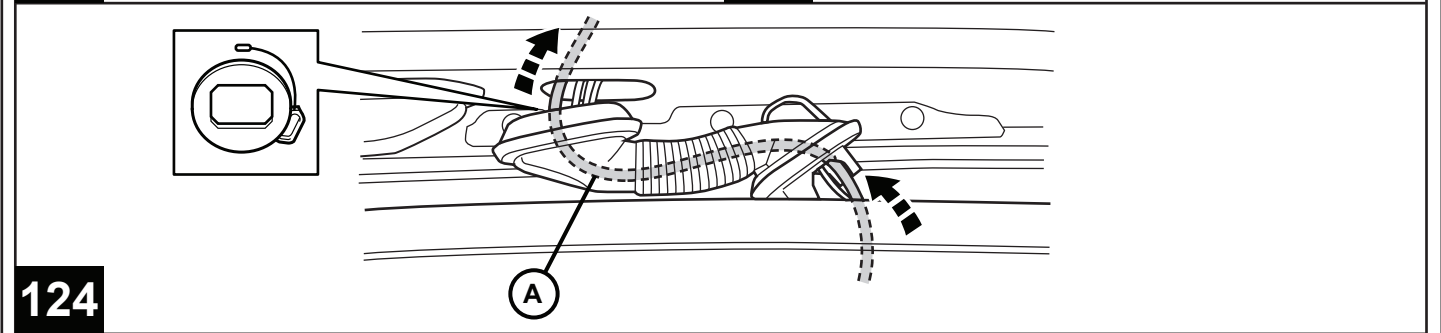
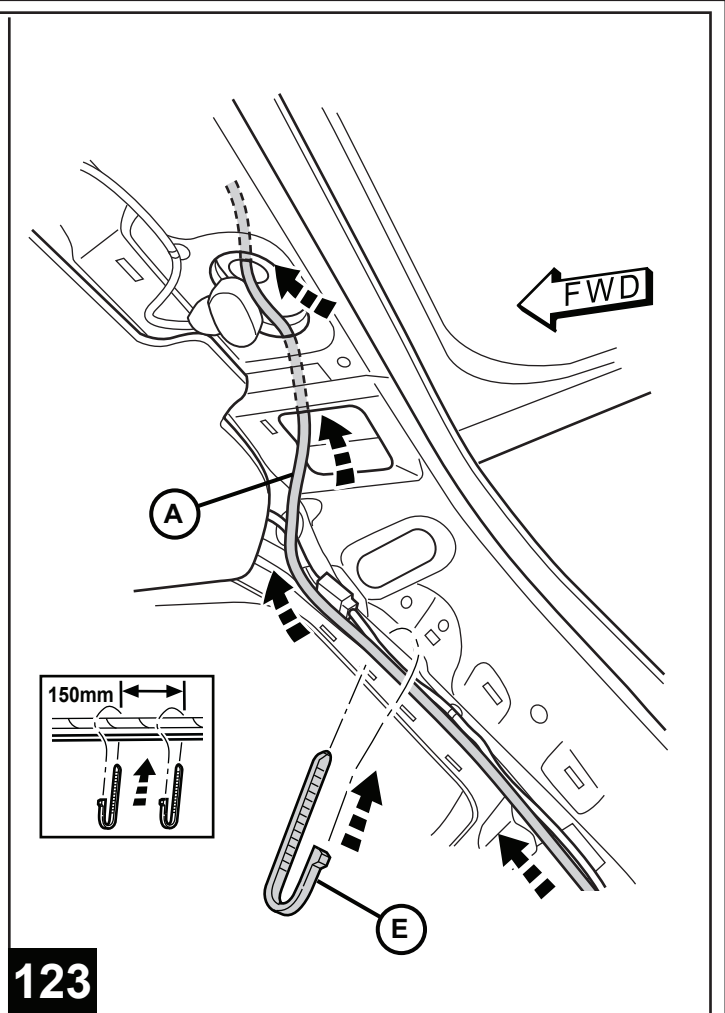
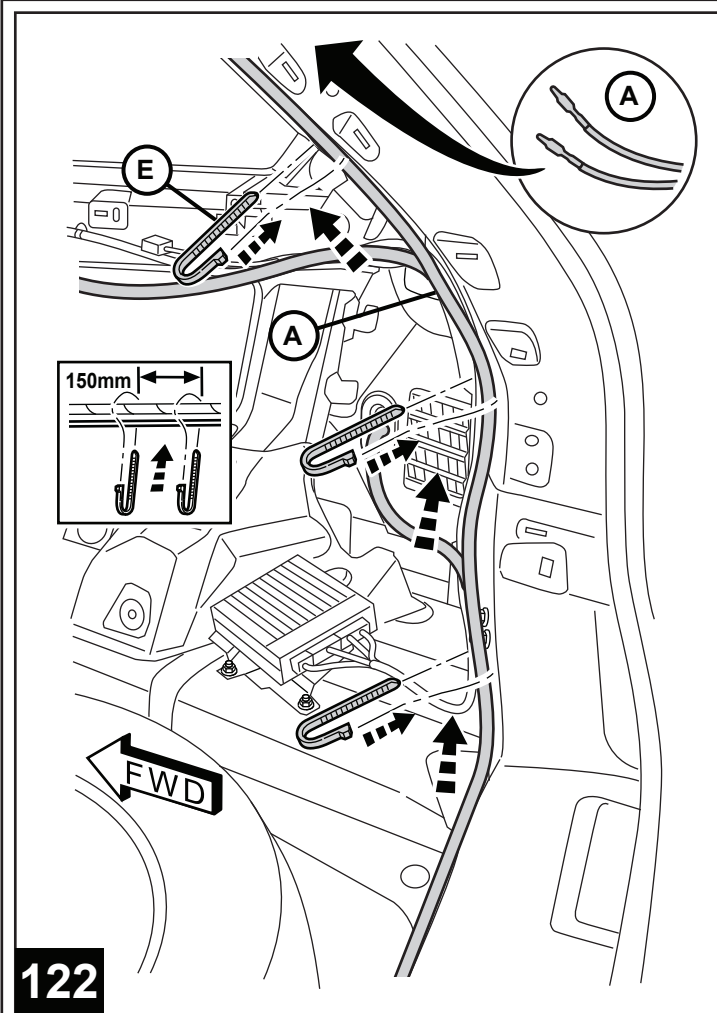


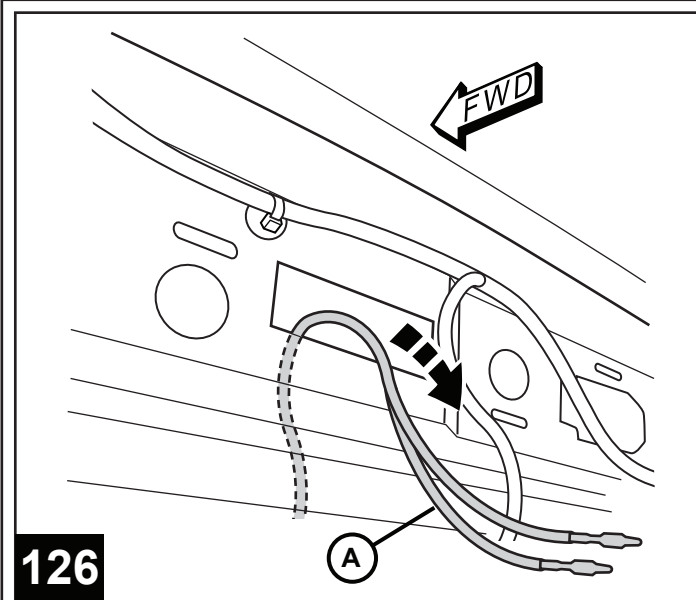
117



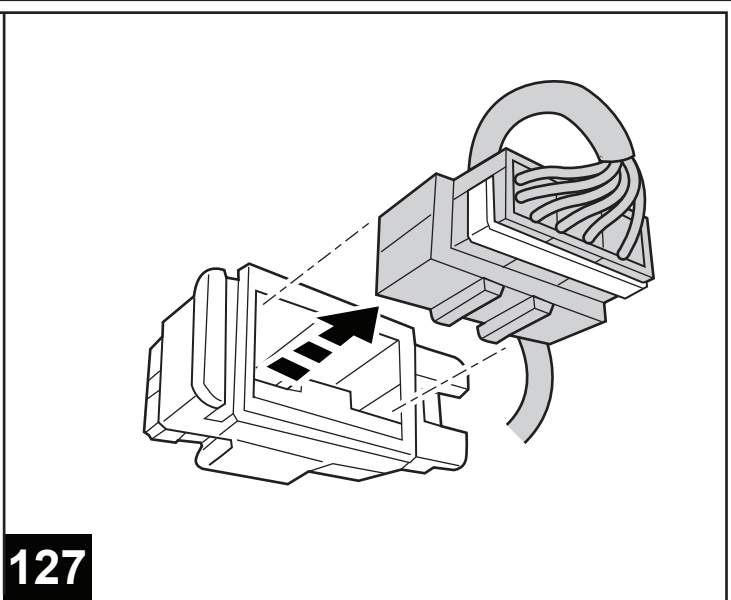
118



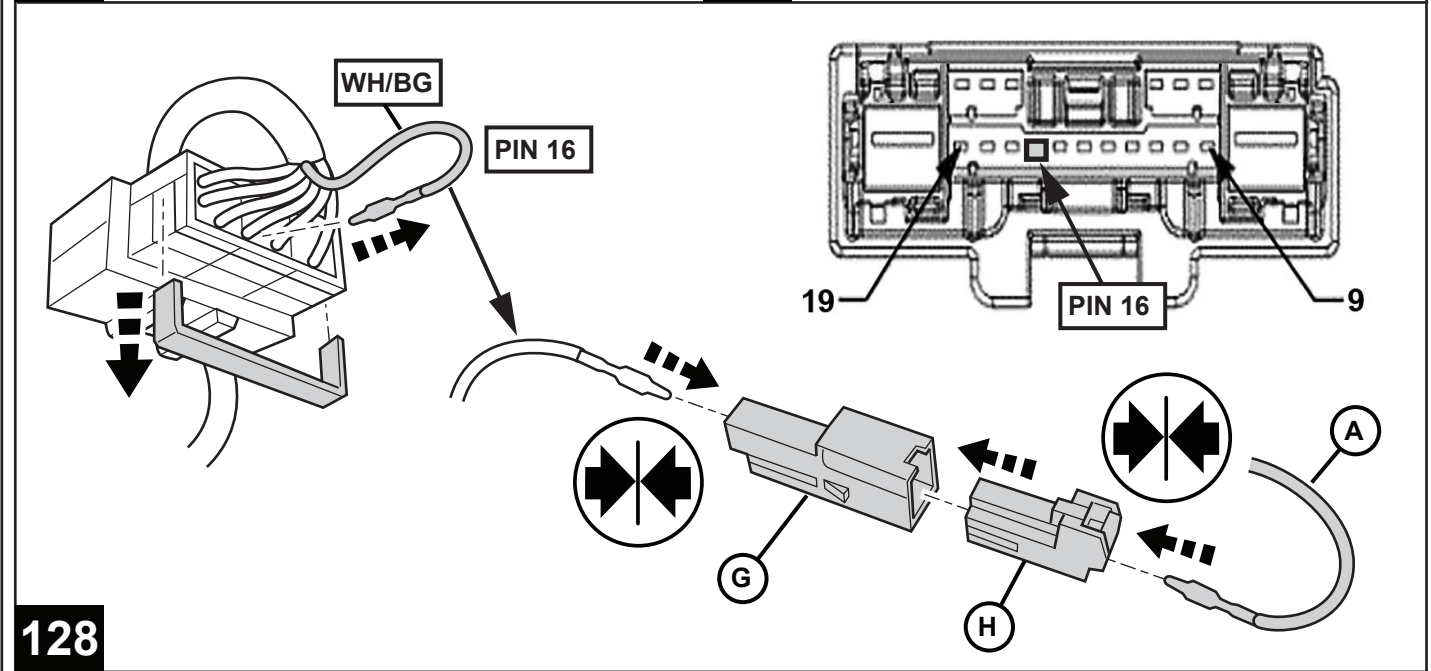




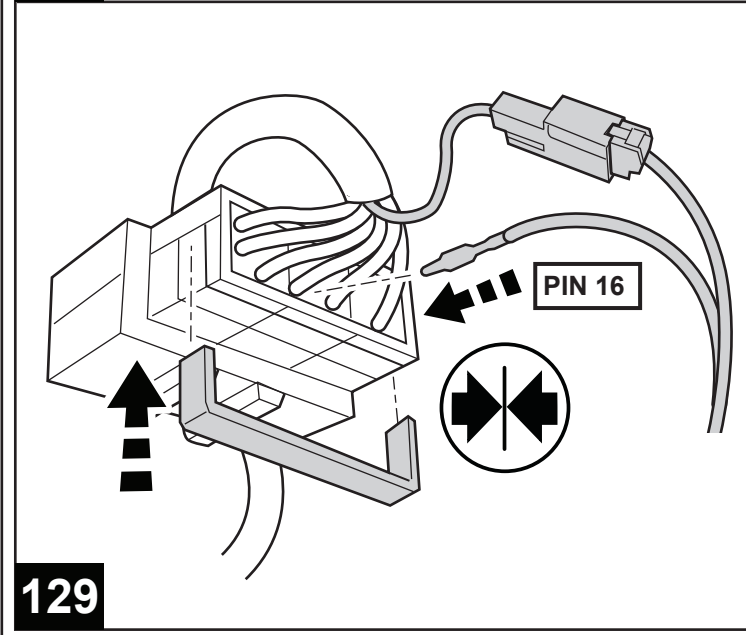
126



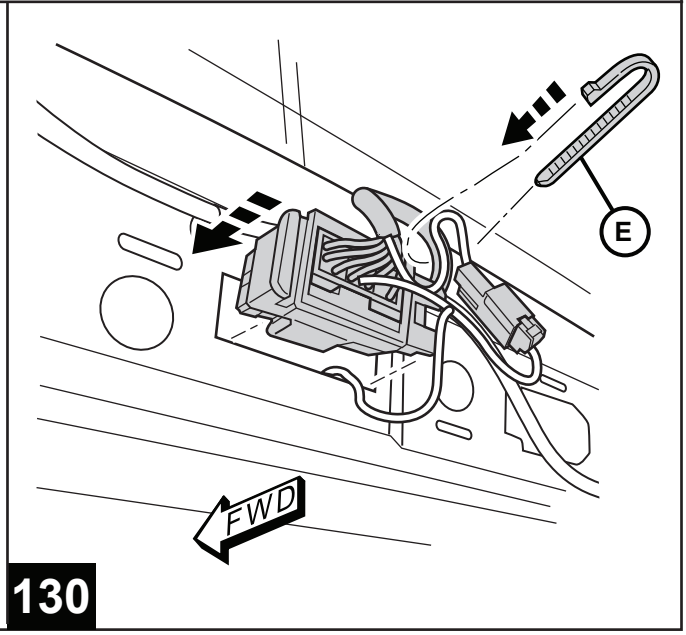
127



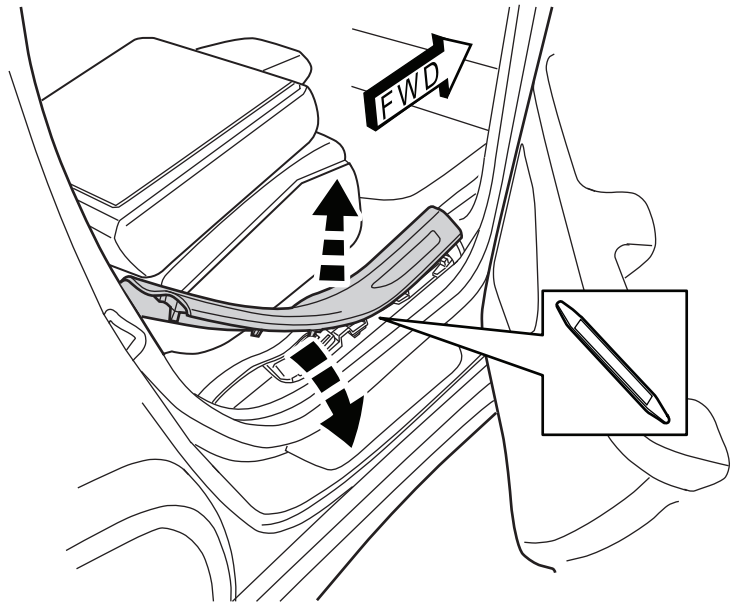
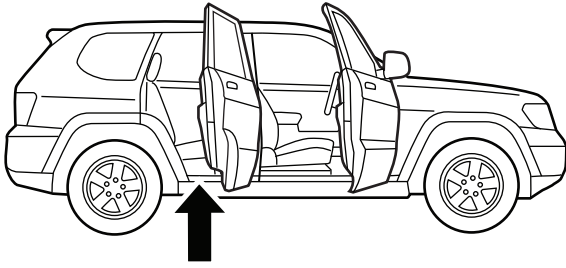
128



129

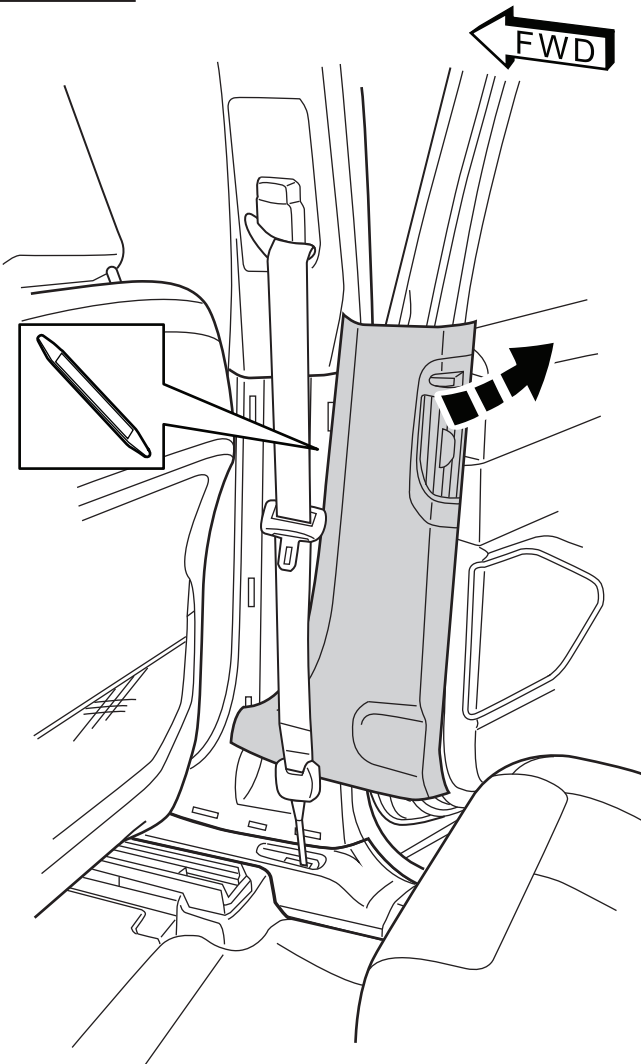


130

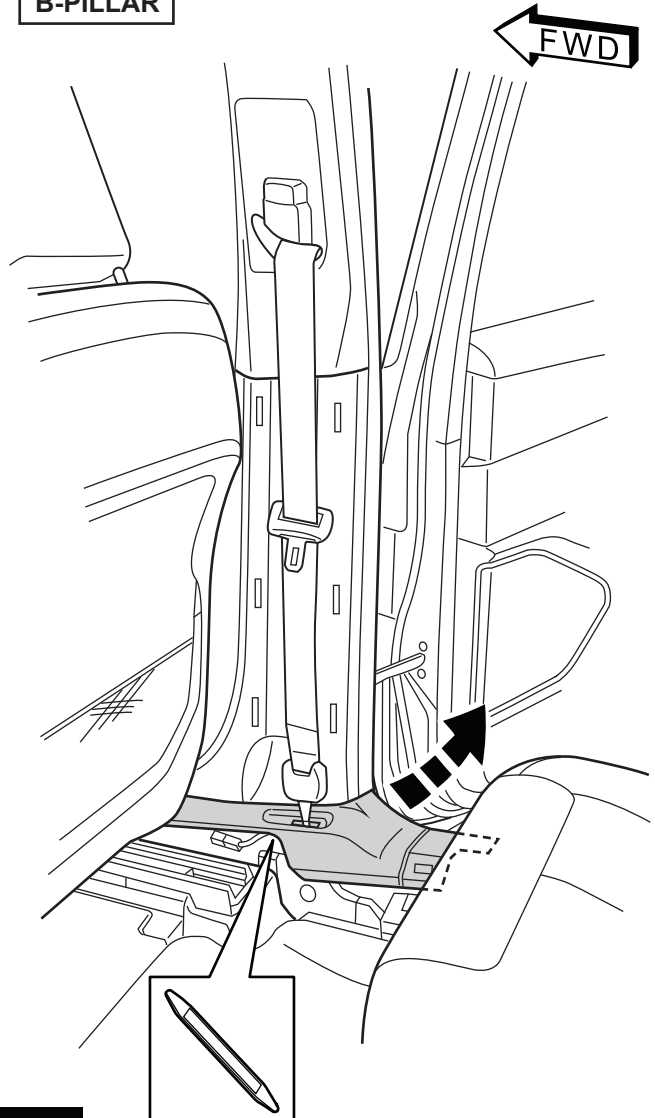


**131**

**B-PILLAR**

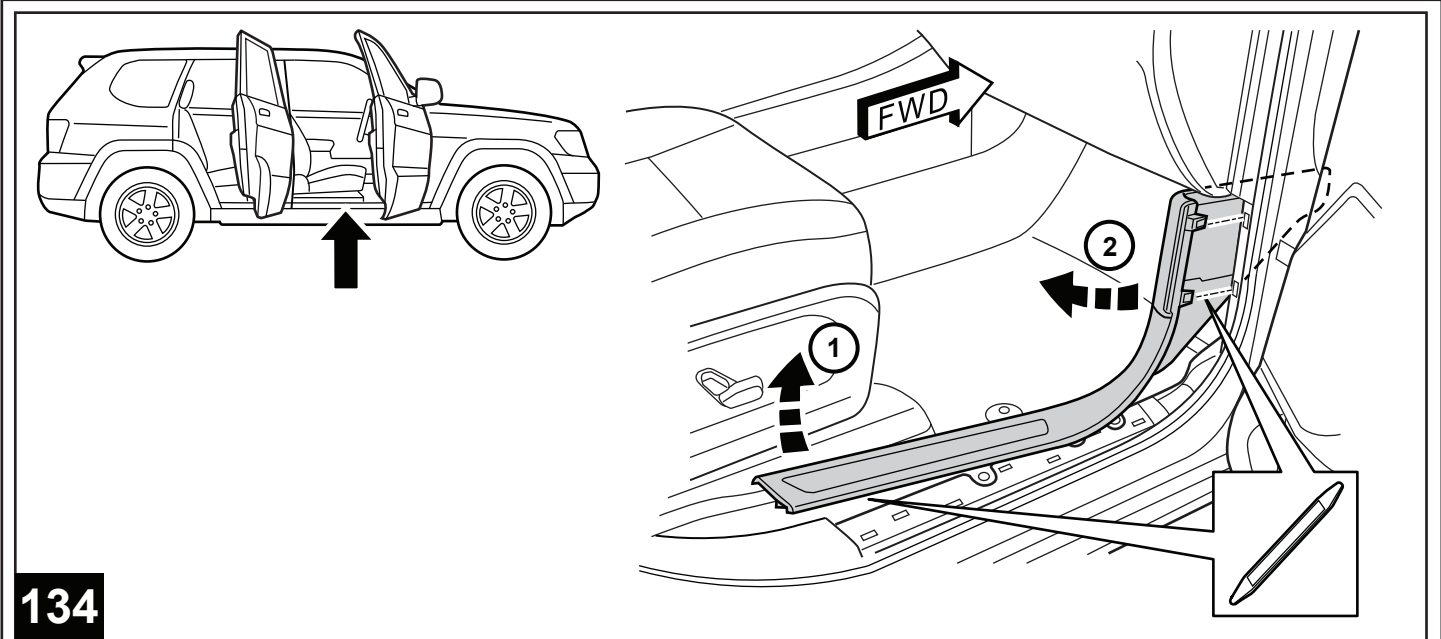


**B-PILLAR**

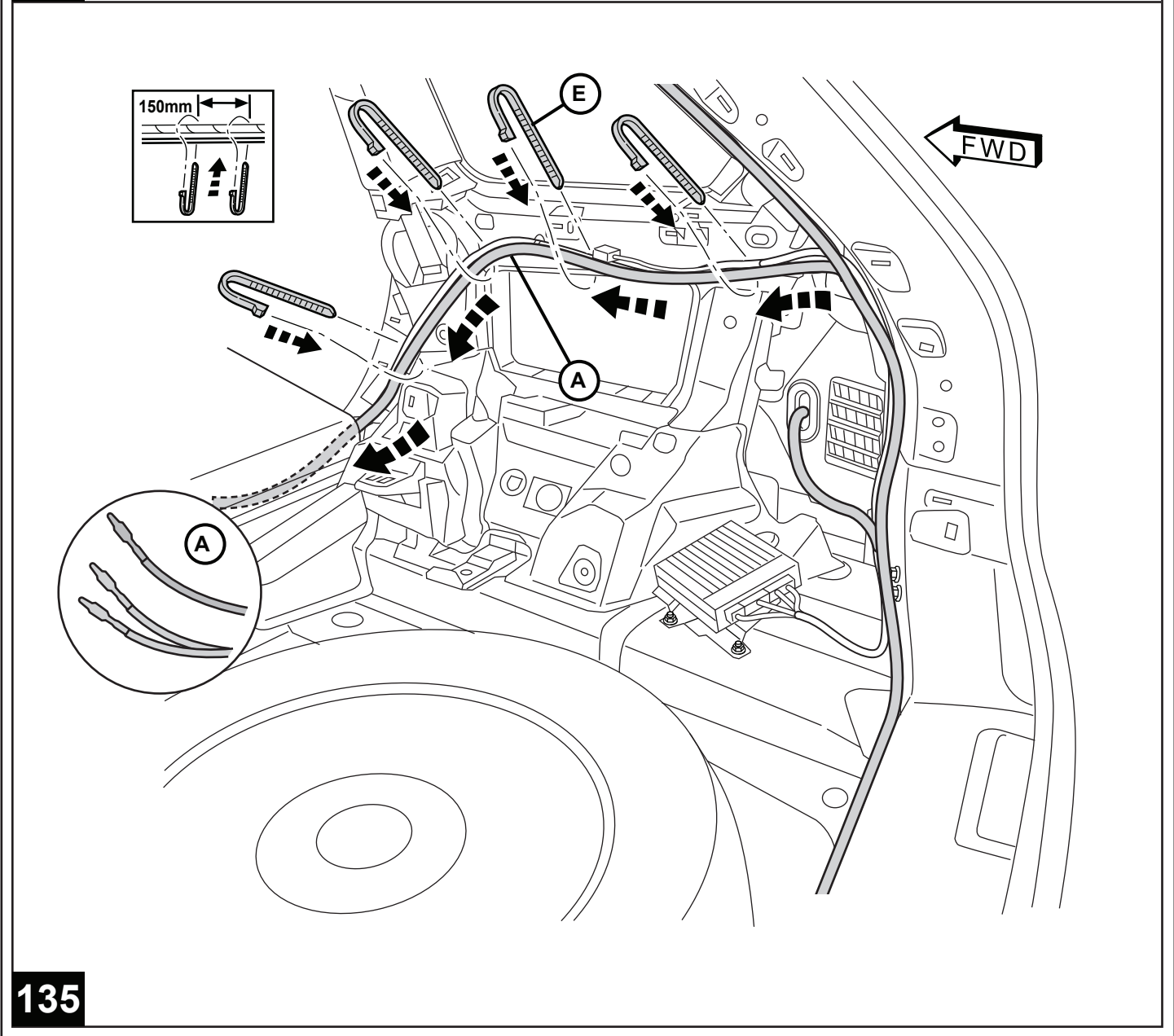


**132**

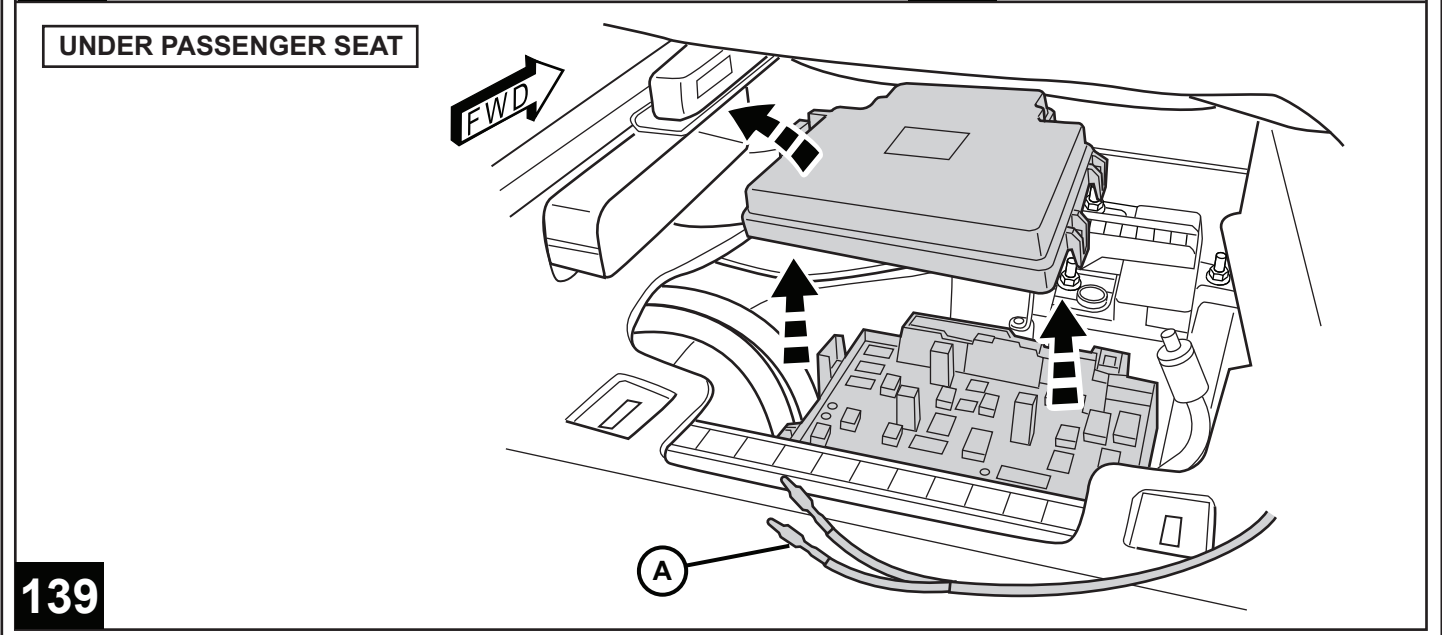
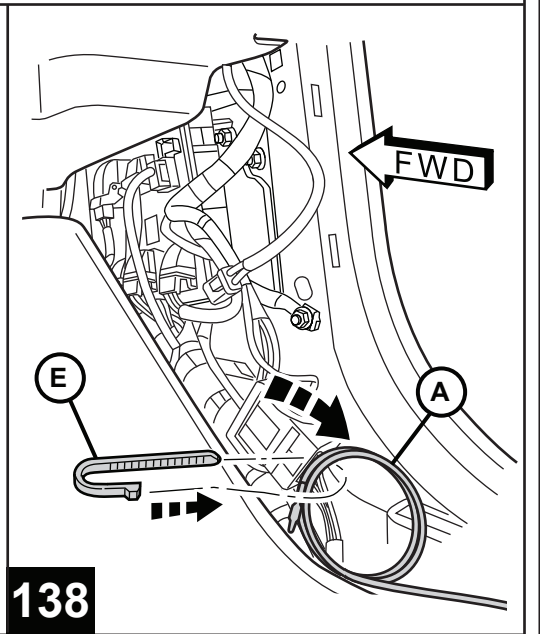
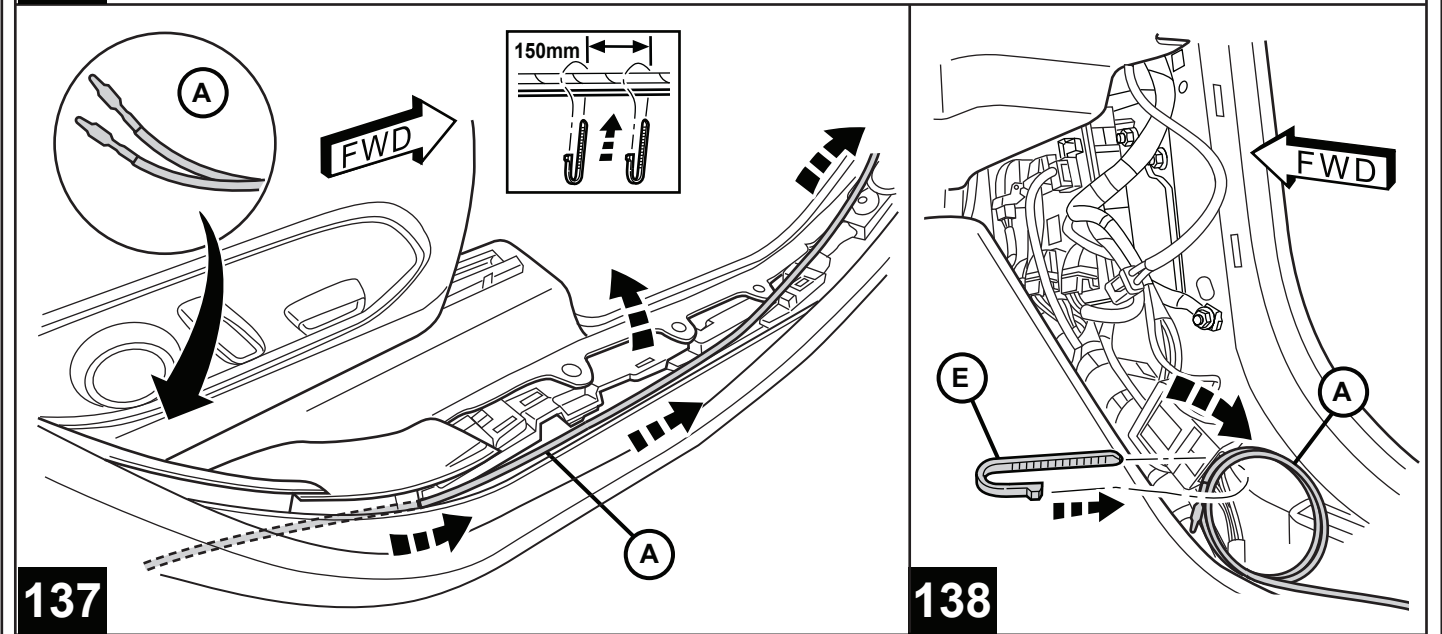
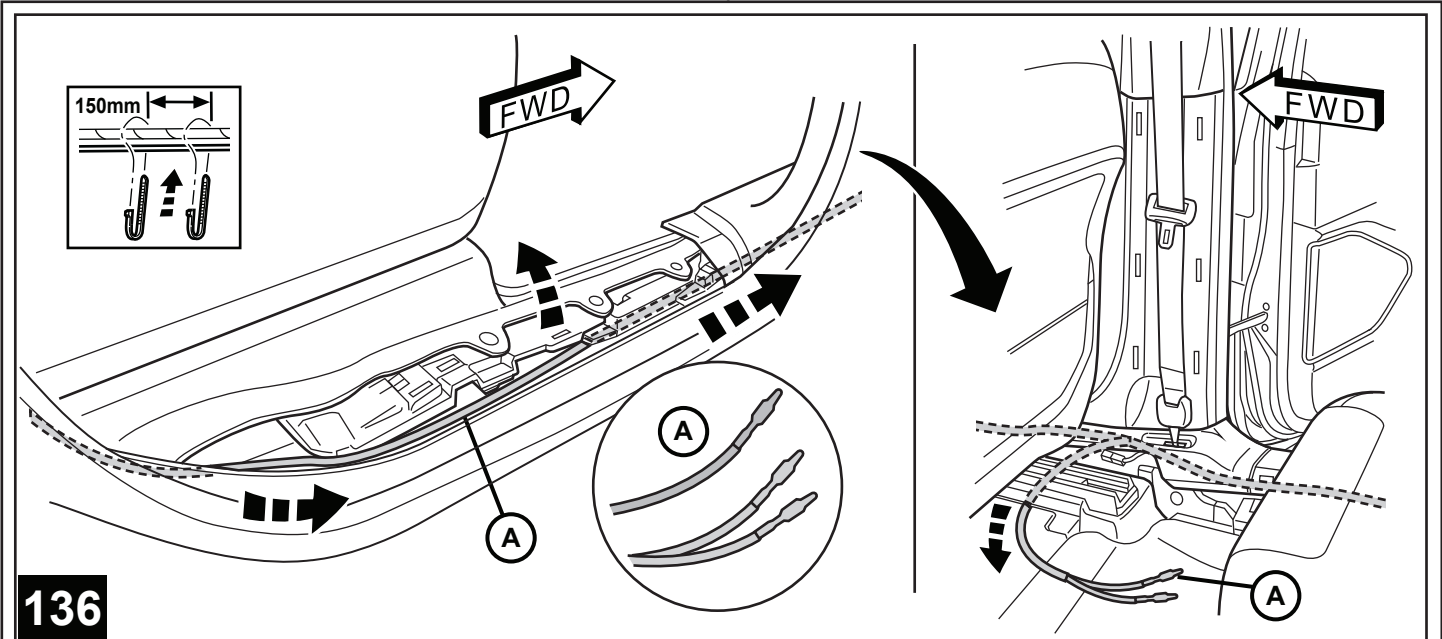
**133**

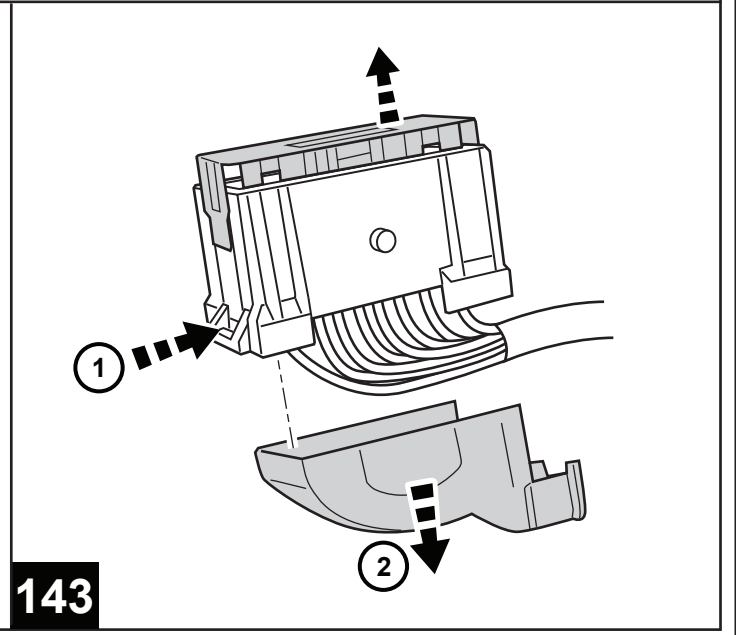
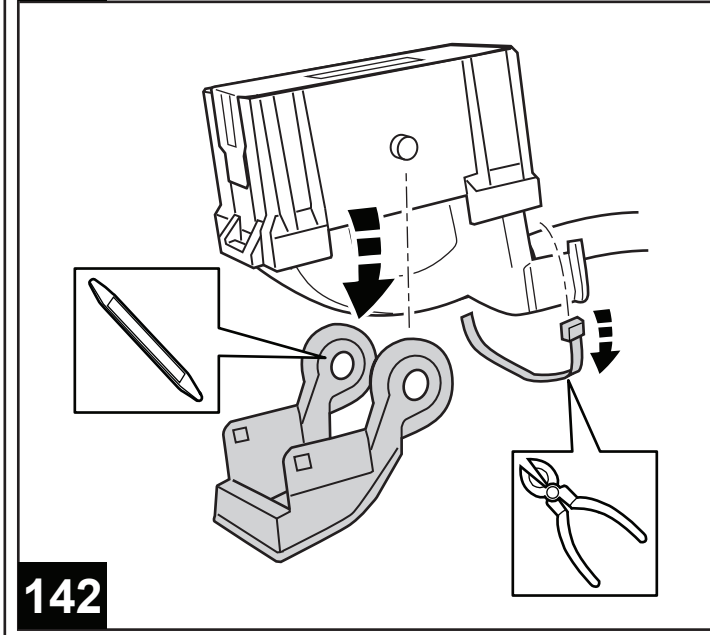
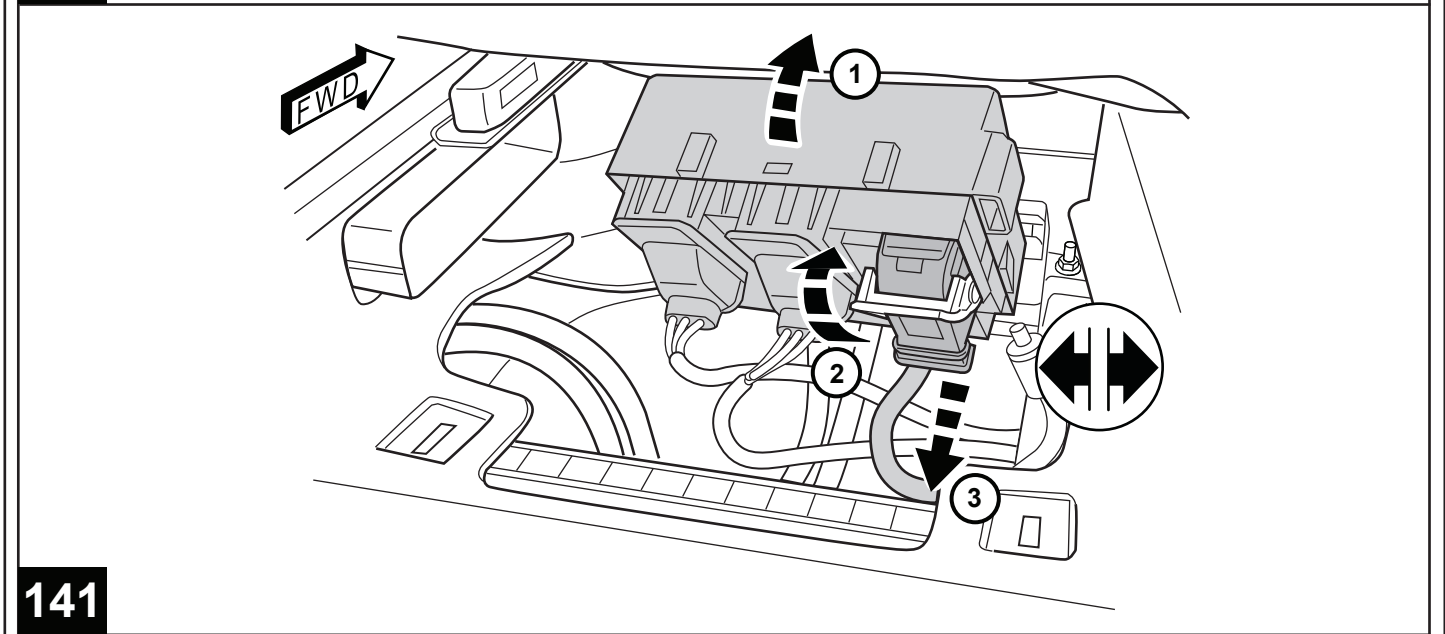
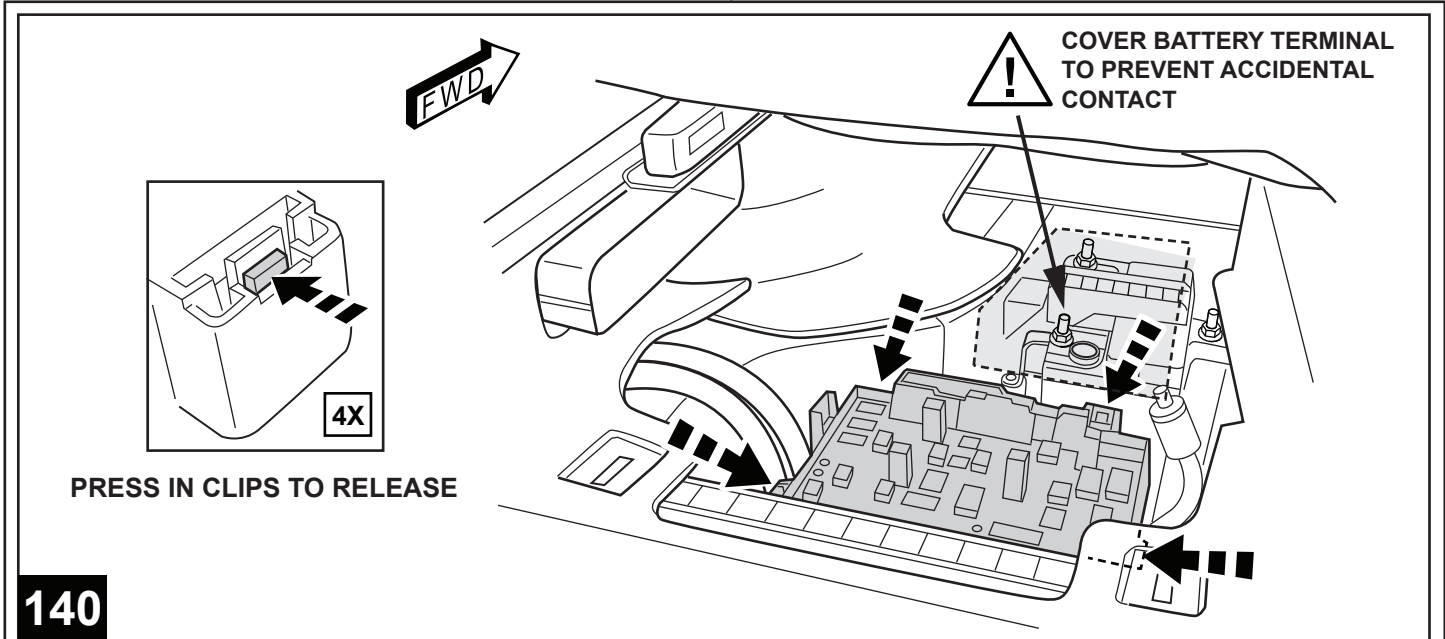


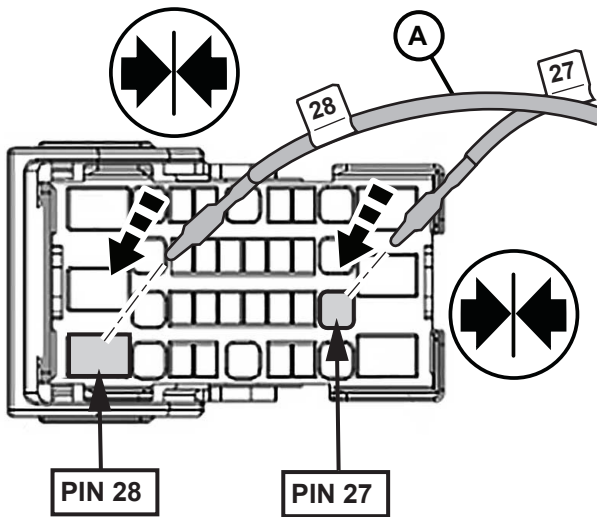
134



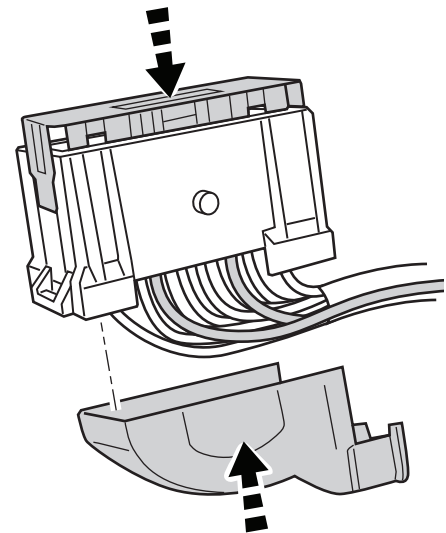
135



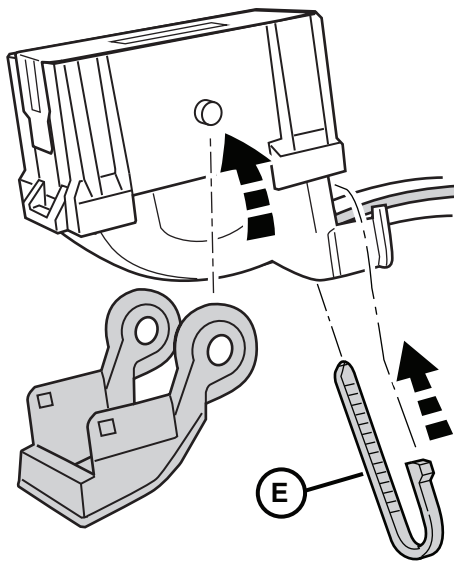




144



145



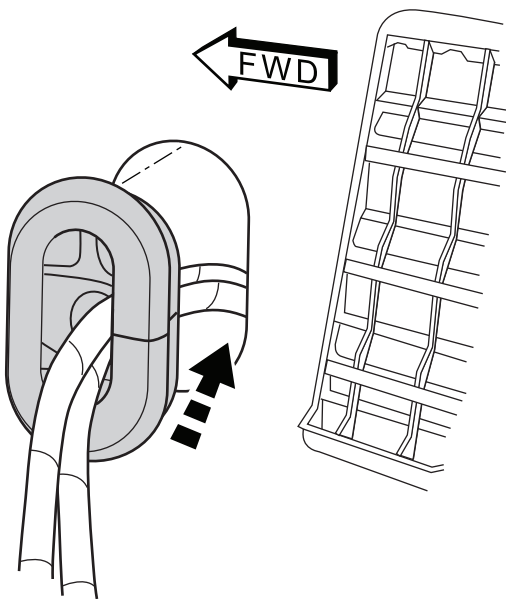
146

REVERSE STEPS 139 THROUGH 141 TO REINSTALL VEHICLE COMPONENTS UNDER PASSENGER SEAT.

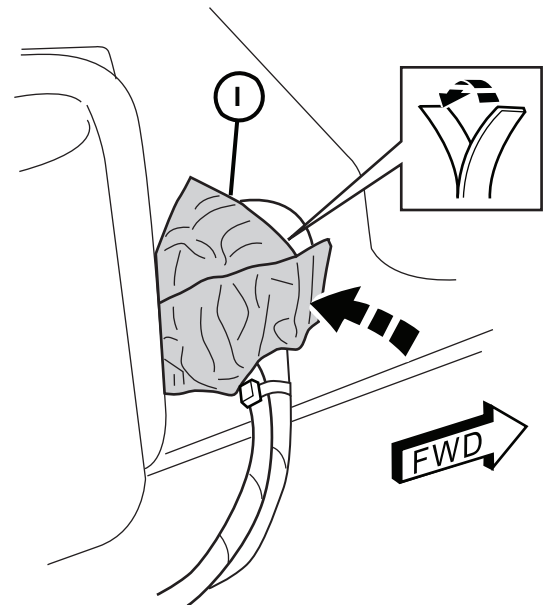
SECURE HARNESS (A) WITH CABLE TIES.

DO NOT INTERFERE WITH ANY MOVING PARTS.

147



148



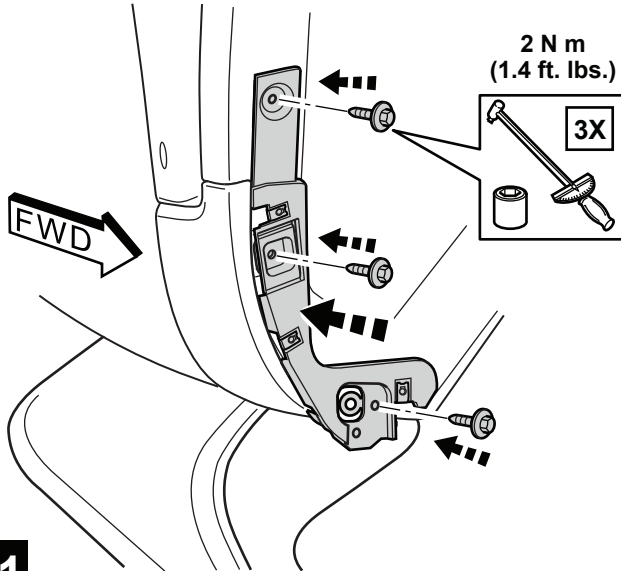
149

REVERSE STEPS 131 THROUGH 134, 118 THROUGH 121 AND 83 THROUGH 101  
TO REINSTALL ALL CONNECTORS AND VEHICLE COMPONENTS

**150**

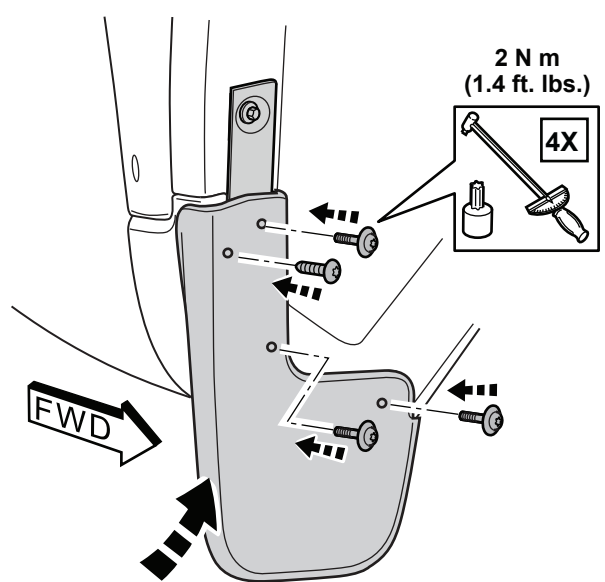
STEP 94 TORQUE

IF PRESENT

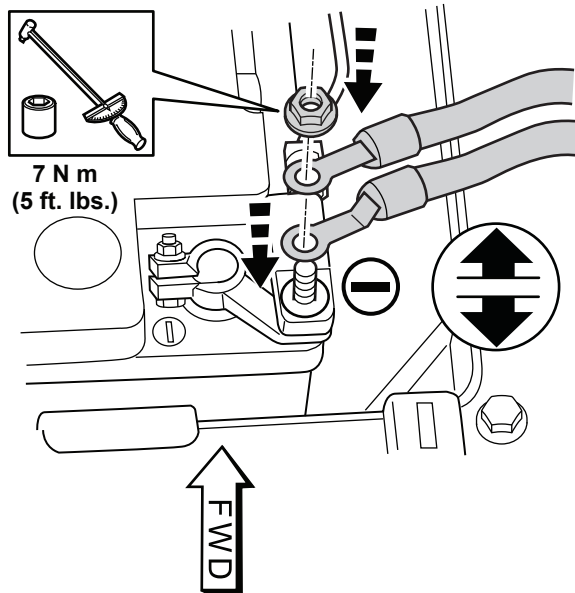


STEP 93 TORQUE

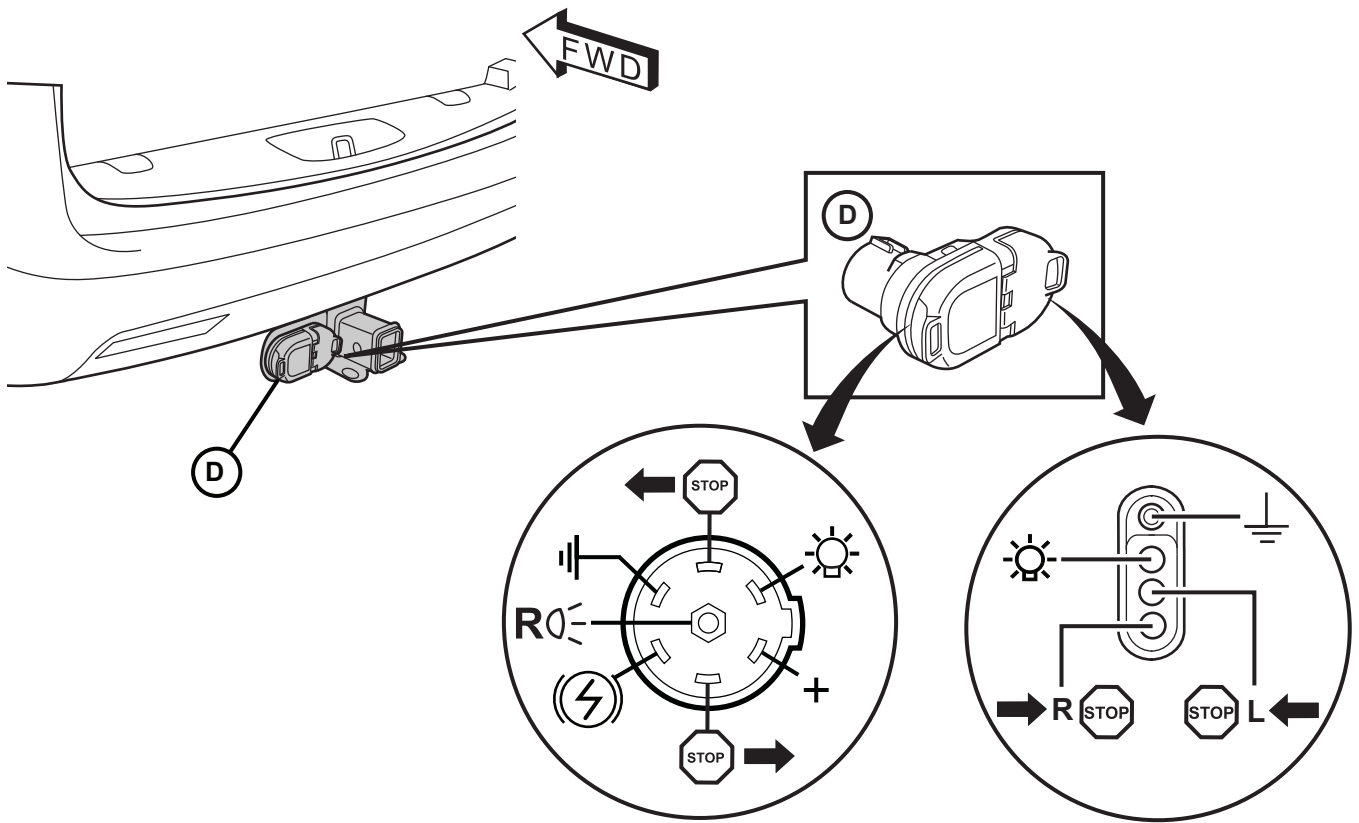
IF PRESENT



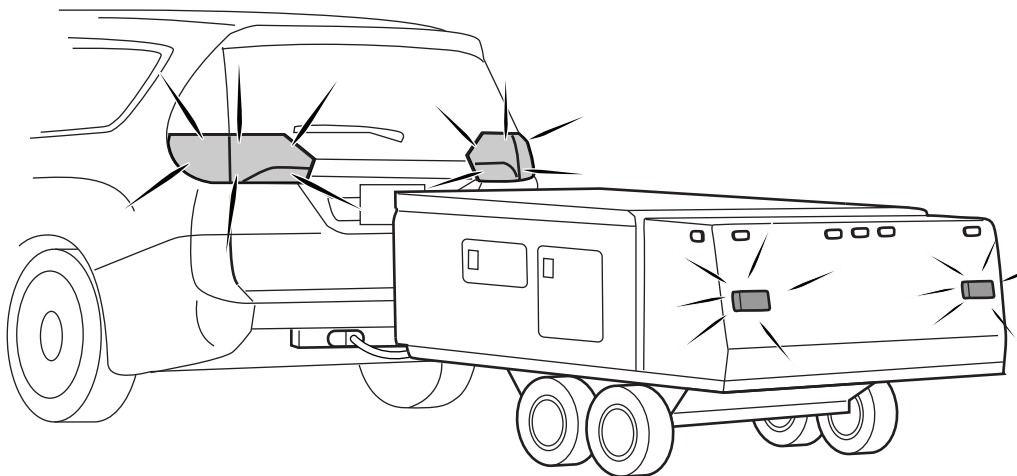
**151**



**152**



153



154