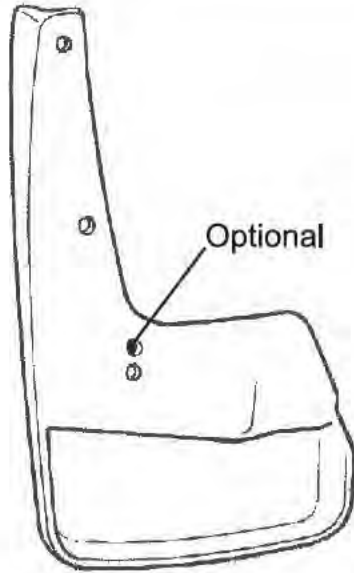




DODGE / CHRYSLER

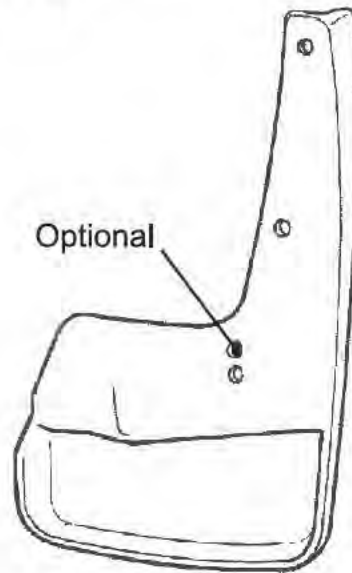
Front Splashguards

Front Right

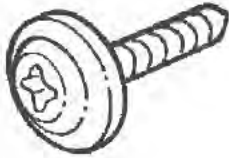


A

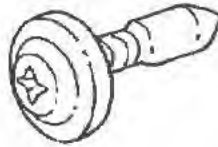
Front Left



B



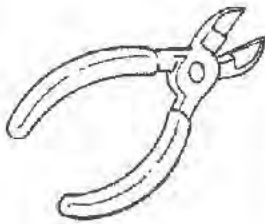
C 6X



D 2X



E 6X



3/32" (2.5 mm)
1/4" (6.3 mm)

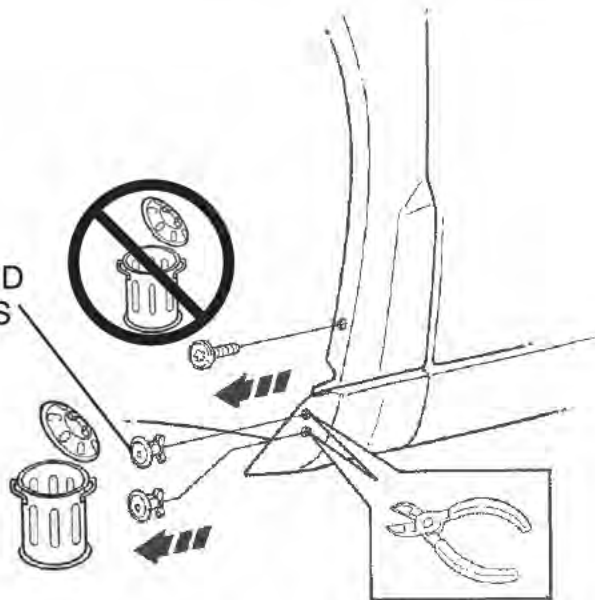


#2 Phillips
Screw Driver



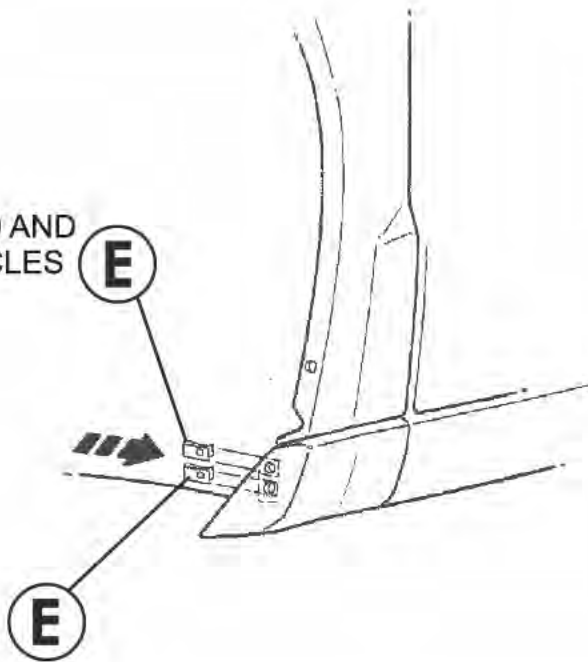
Torx # 25

*FOR MID 2010 AND OLDER VEHICLES ONLY



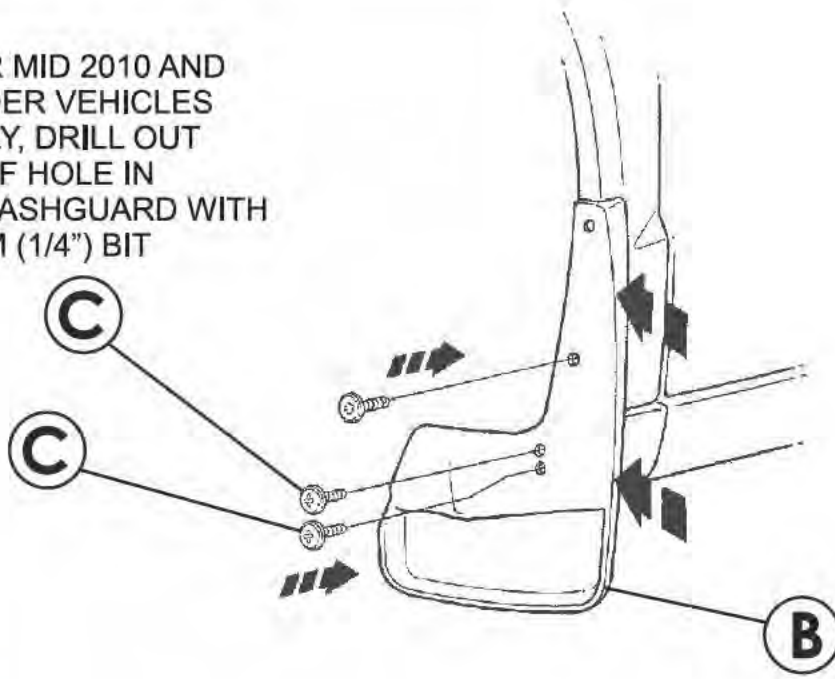
1

*FOR MID 2010 AND OLDER VEHICLES ONLY

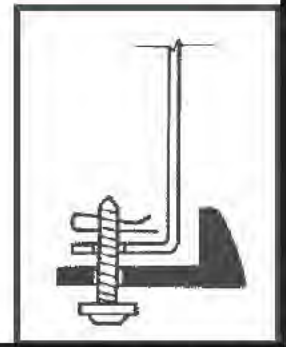
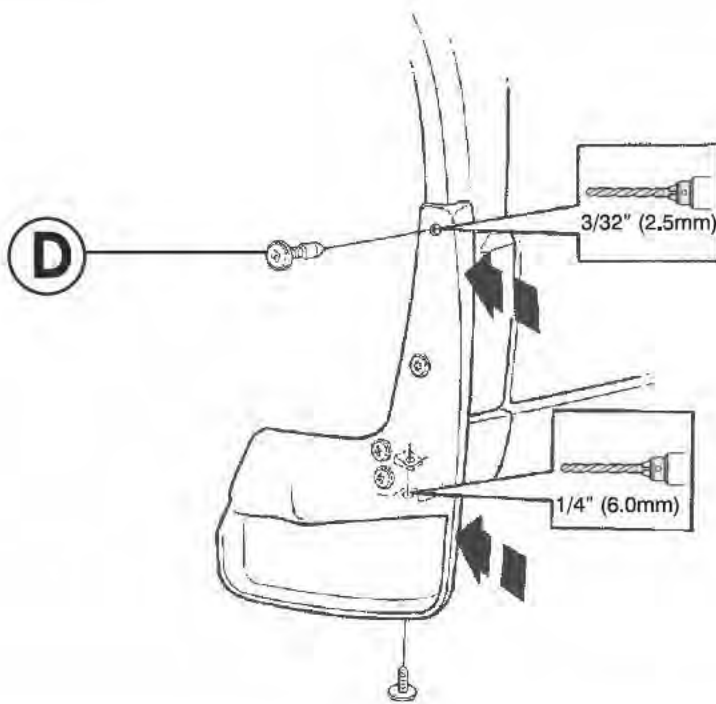


2

* FOR MID 2010 AND OLDER VEHICLES ONLY, DRILL OUT HALF HOLE IN SPLASHGUARD WITH 6MM (1/4") BIT



3



4